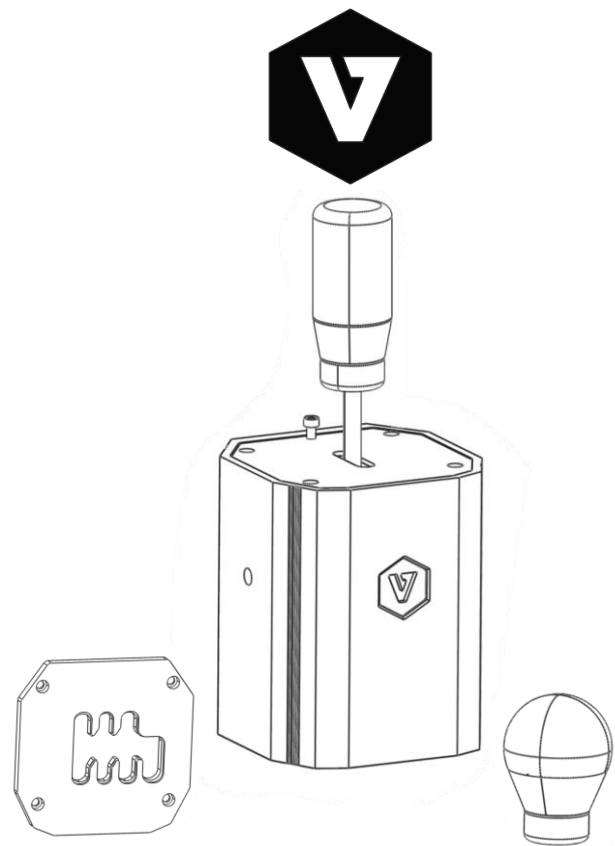
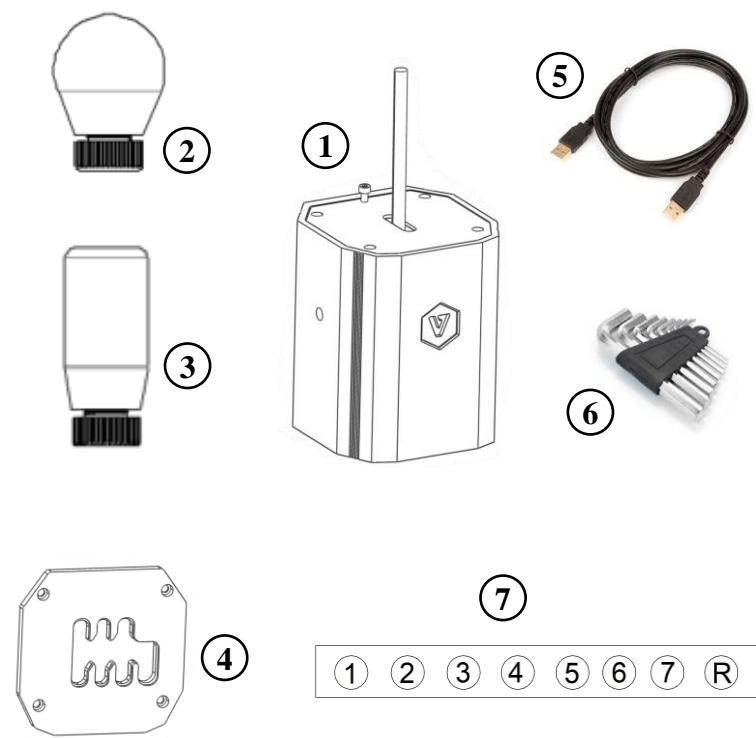


VNM SHIFTER Quick Guide

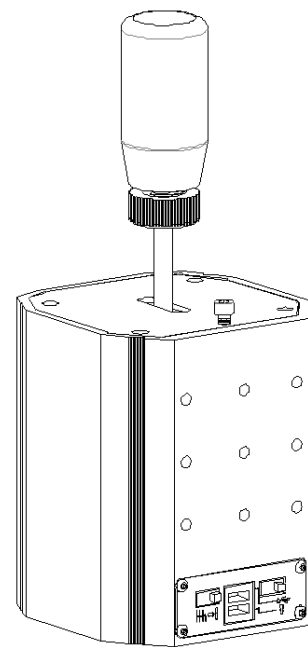


Content



- 1. Shifter with grid SEQ
- 2. Knob H
- 3. Knob SEQ
- 4. 6R manual plate
- 5. USB cable
- 6. Hexagon alley key & Mounting screws
- 7. The number stickers

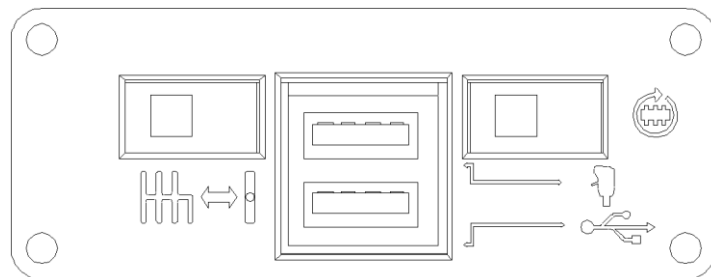
Connection



The connection is placed on the low-behind of shifter.

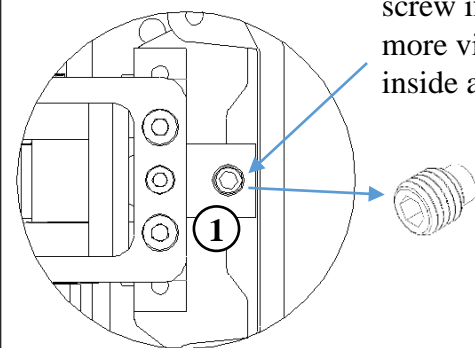
The icon is:

- Plug in USB cable to connect to PC
- H** shifter mode (select by switch to)
- Sequence mode
- Plug in truck knob
- Switch to select **DFU Mode** (update firmware)/ **RUN Mode** (play in game)



Adjust Spring

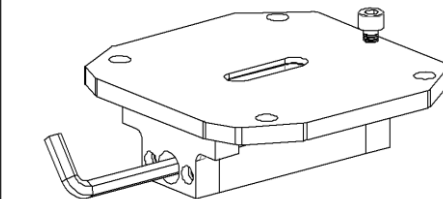
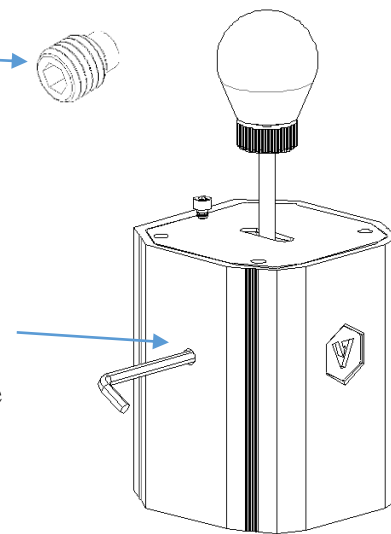
Adjust Y axis:



You can assemble M5x4 screw if your shifter has more vibration (screw inside accessory box)

Adjust H force:

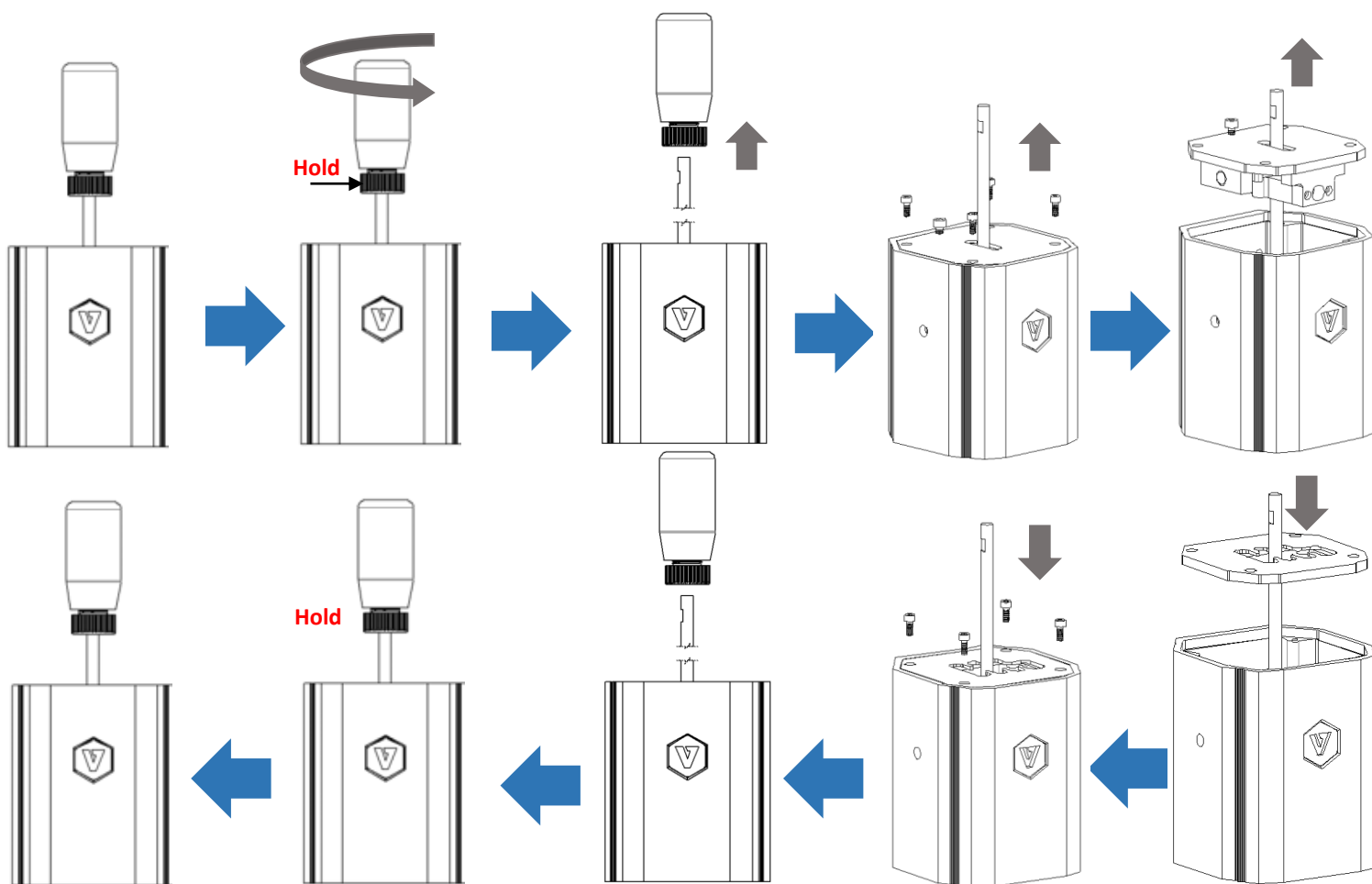
Clockwise to increase force (attention if have screw ① you **have to loosen** it before)



Adjust SEQUENCE grid:

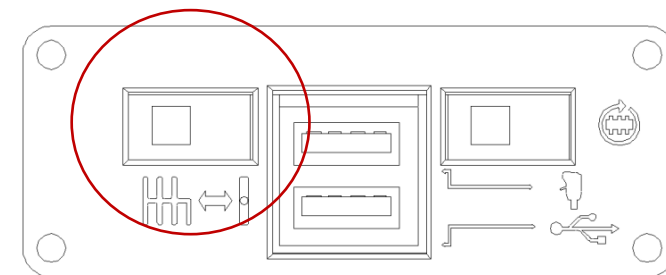
✓ Clockwise to increase force

Exchange face & Knob H

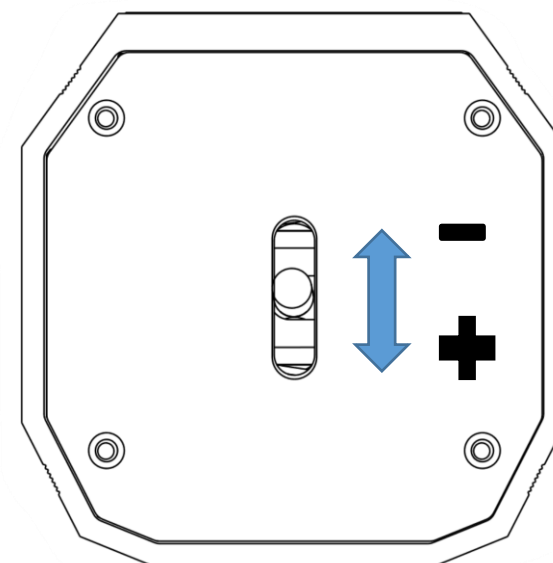


Mode Change

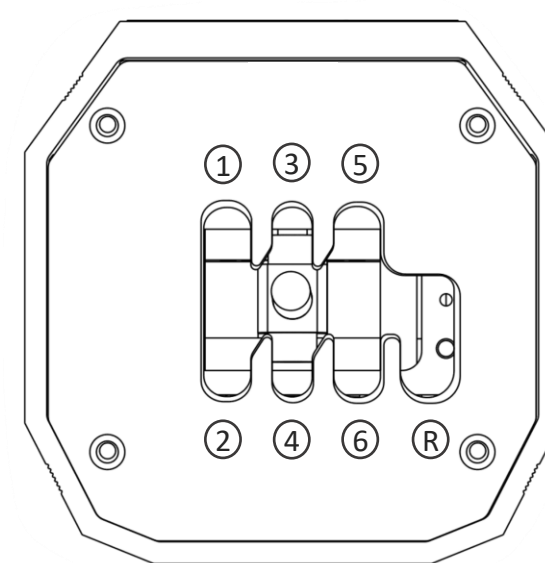
Switch to select H mode and Sequence mode



Sequential gearbox



6R Manual gearbox



Mounting Drawing

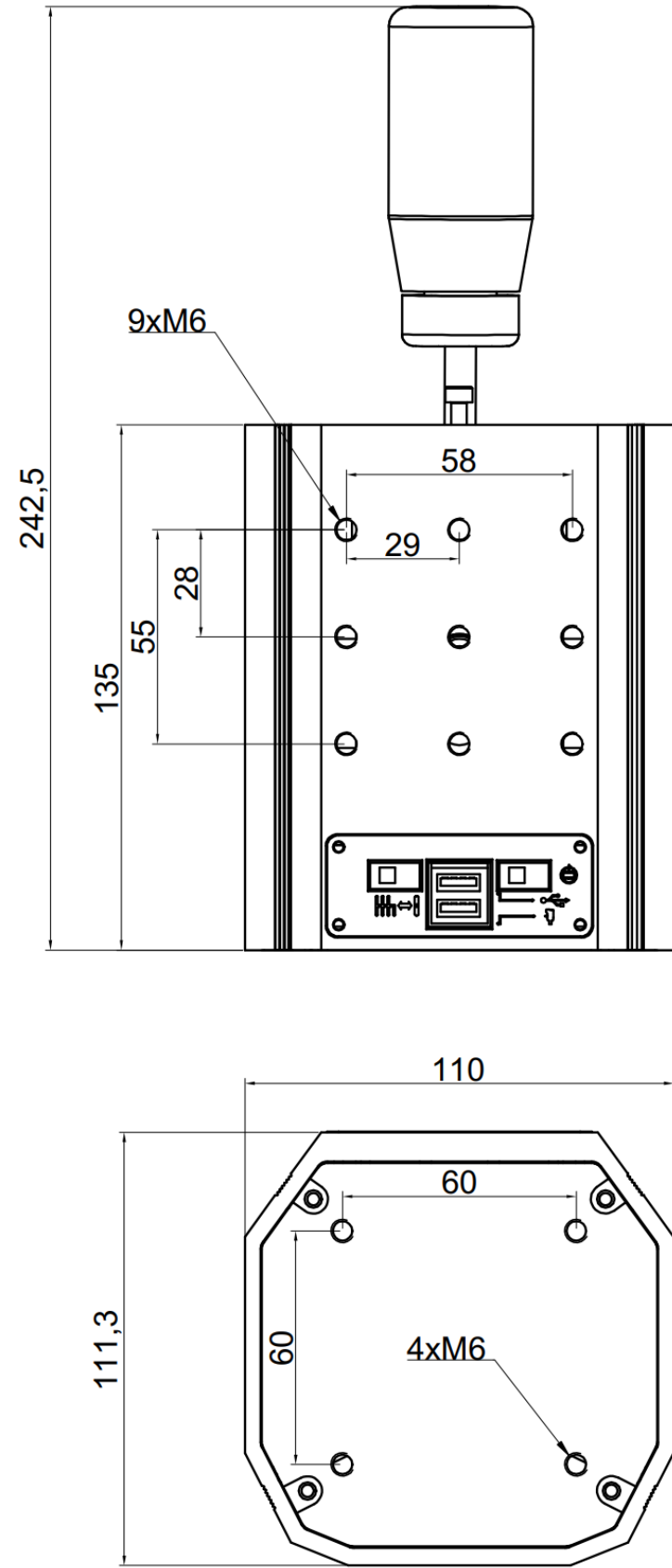


Table Clamp

