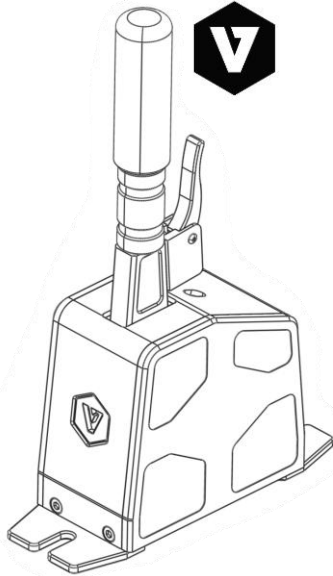
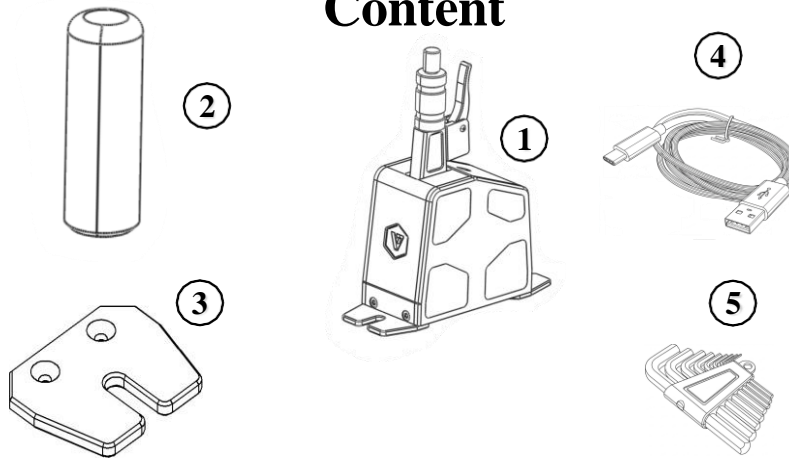


VNM SEQ SHIFTER V2

Quick Guide



Content



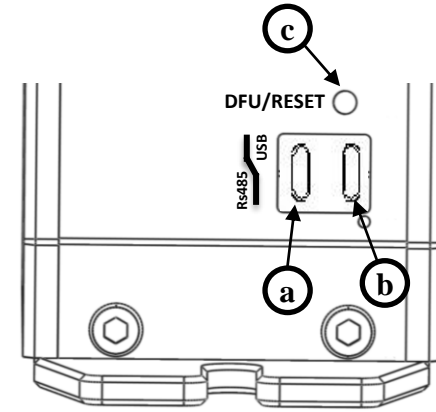
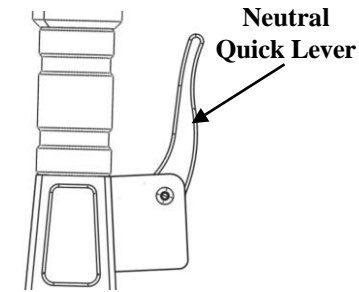
- 1. VNM Seq Shifter
- 2. Knob Handle
- 3. Shifter bracket & Mounting screws (x2)

- 4. USB type-C cable
- 5. Hexagon alley key

Connection

On the back of SEQShifter V2:

- a. RS-485 Port
- b. Plug in type-C cable to connect to PC
- c. Reset/DFU (Press for Reset/Press & hold 3s for DFU mode)

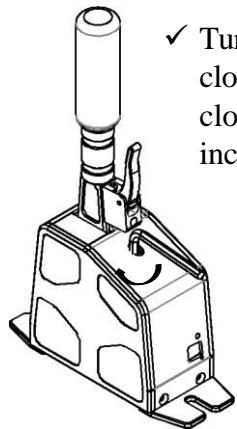


Adjust Seq Shifter

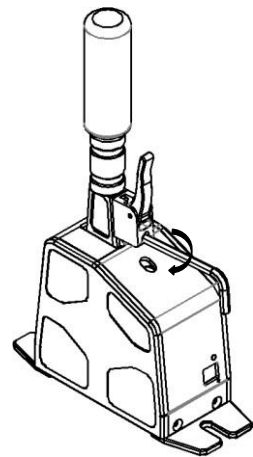
1. Adjust Spring

Adjust Shifting Force

Adjust Neutral Quick Lever Force



✓ Turn clockwise/counter-clockwise to increase/decrease the force

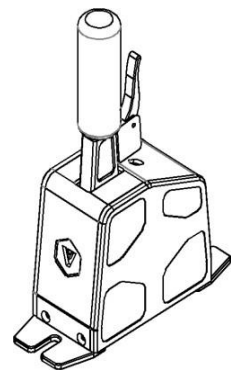
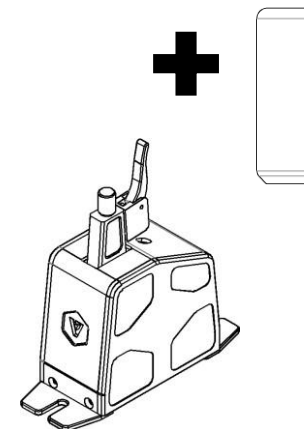
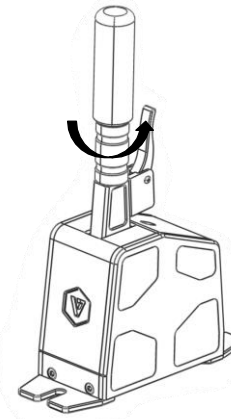
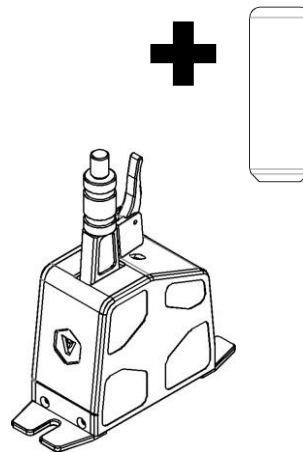


2. Change Shifter Lever Length

Install the Knob

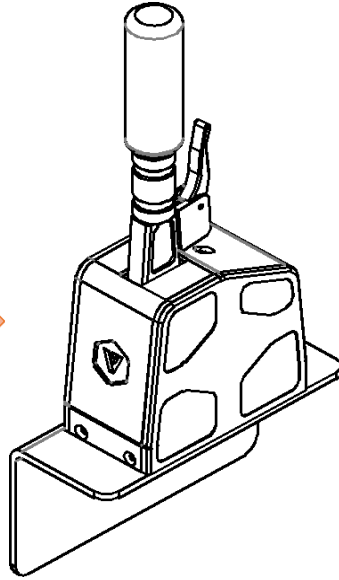
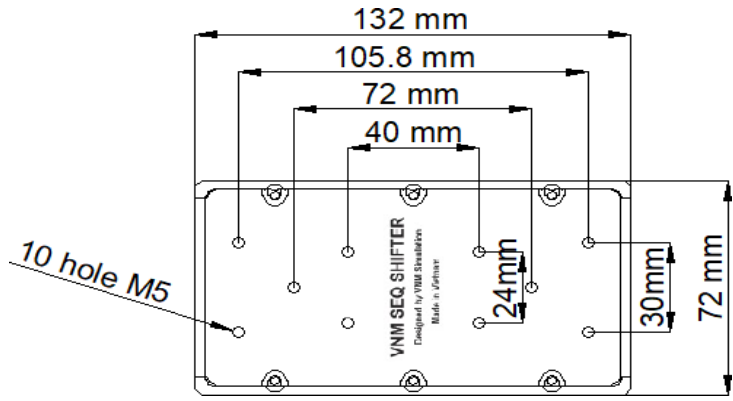
Remove the Knob & Extension Lever

Install the Knob without Extension Lever

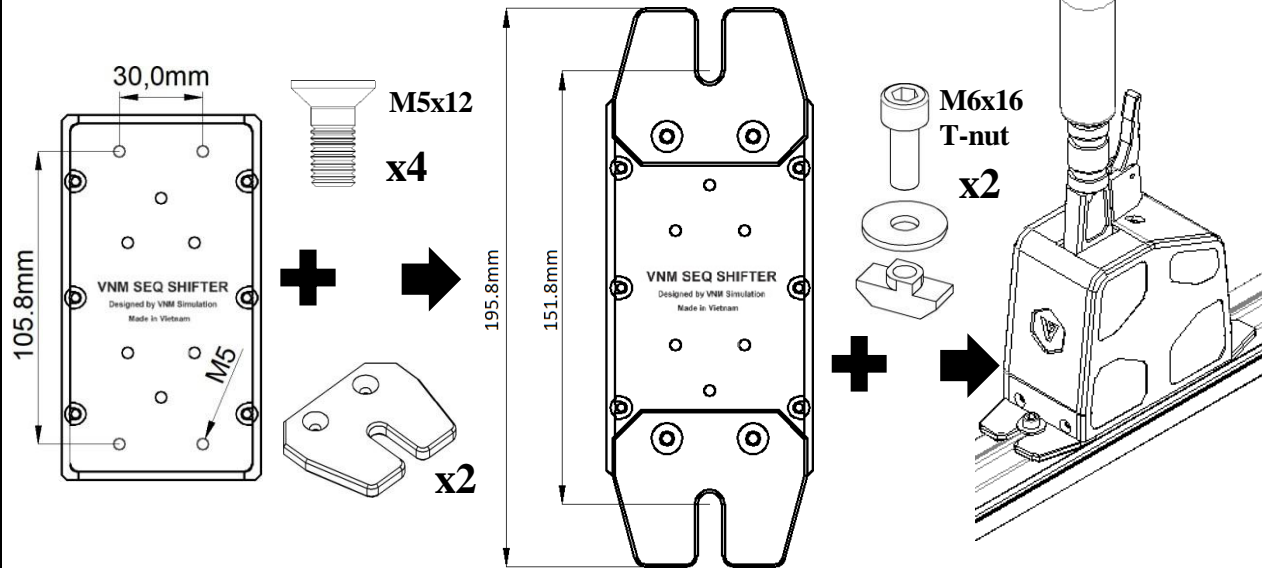


Mounting Solution

1. Mount without bracket



2. Mount with brackets



Shifter Dimension

