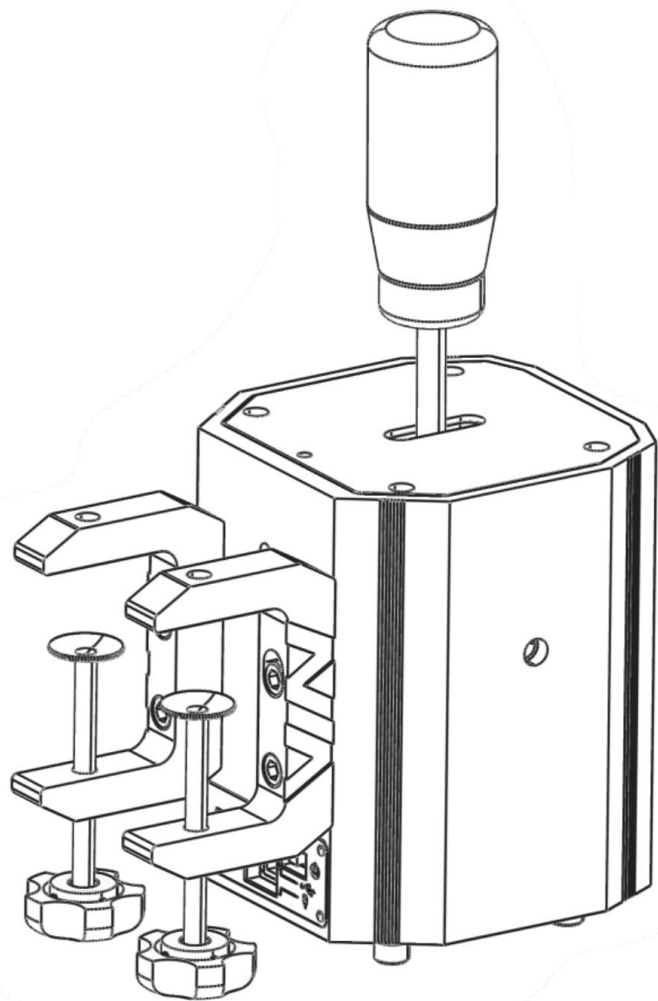




Quick guide Table Clamps

(using with VNM Shifter)

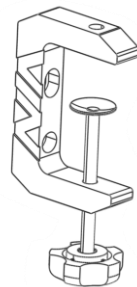


Content

- 1 Left C-clamp



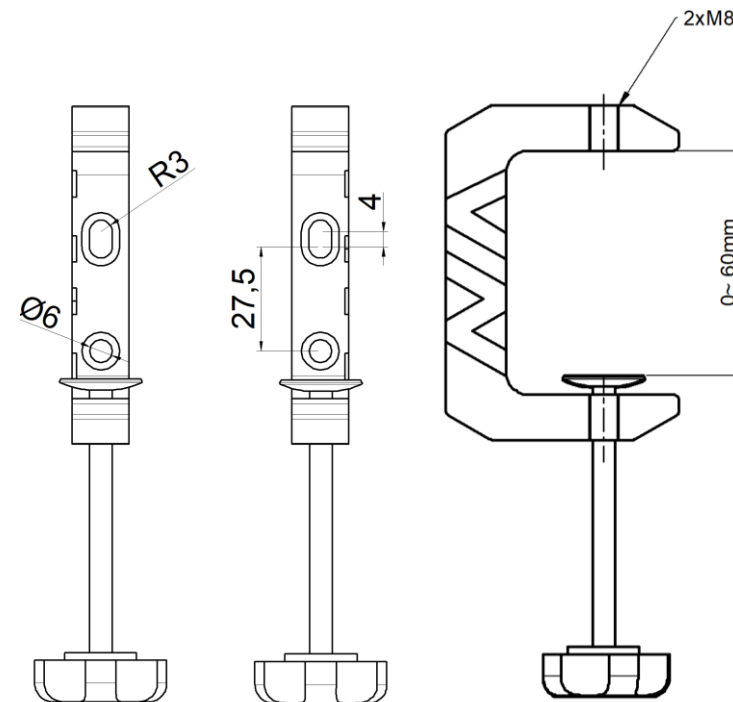
- 2 Right C-clamp



- 3 M6x16
x4



Mounting Drawing



Installation

3 M6x16

