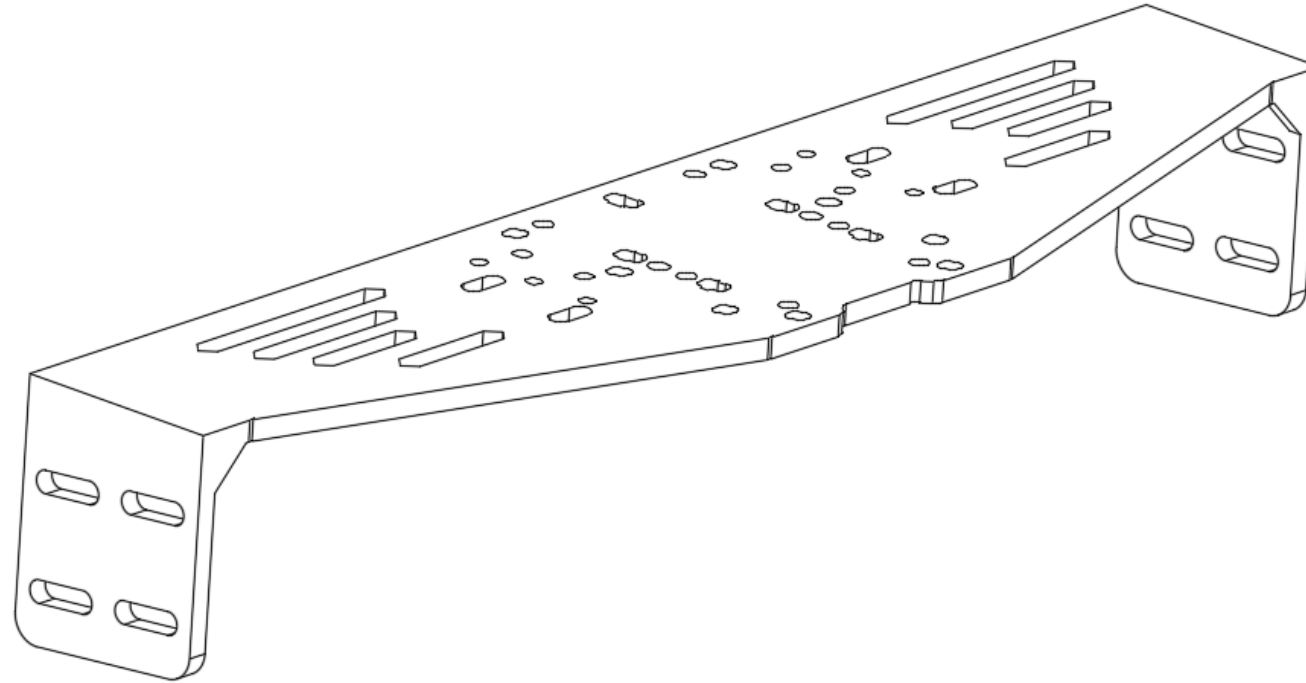




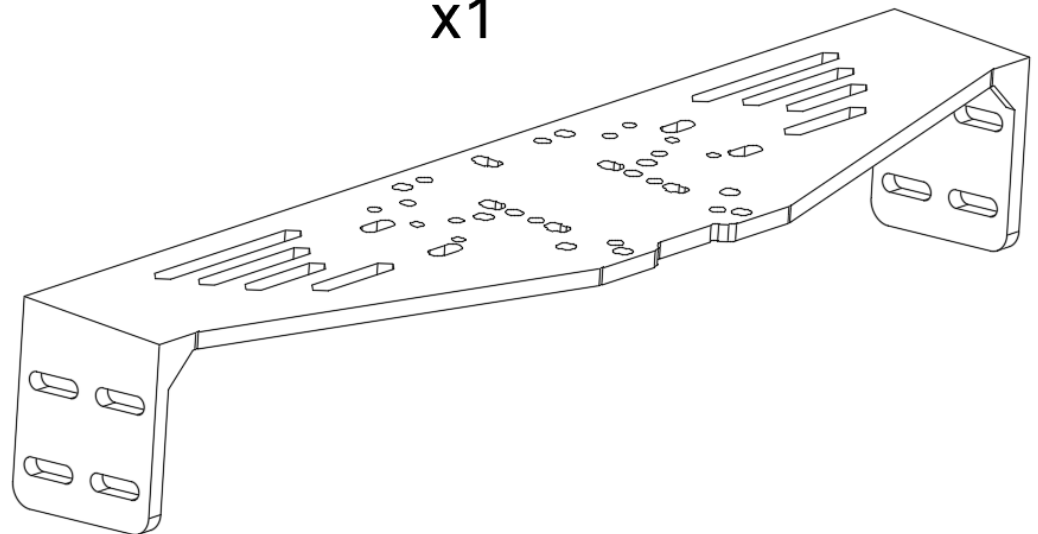
Quick Installation Guide

VNM Wheelbase Mount V4

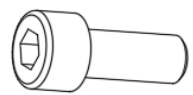


Wheel base mount V4

x1



(M8x20)
x8



(Spring 8)
x8



(Flat 8)
x8

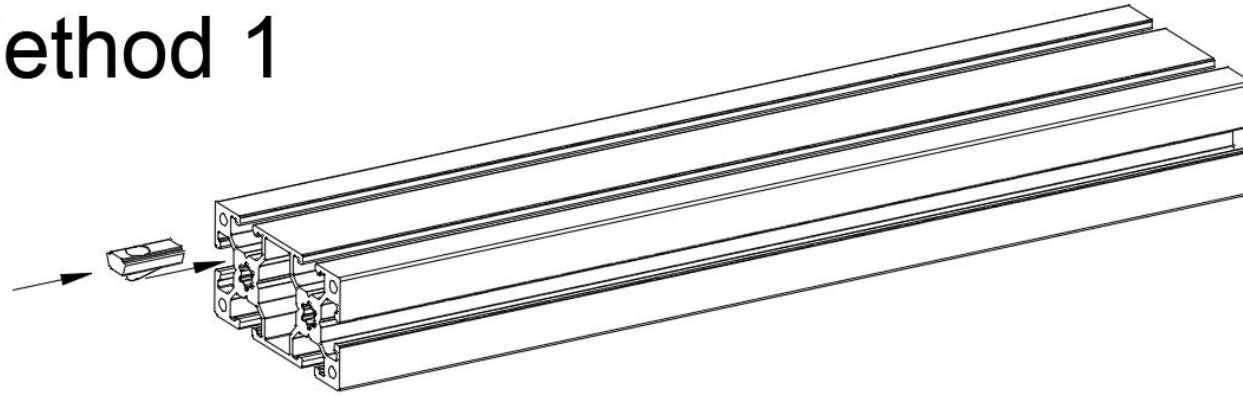


(M8 Nut)
x8

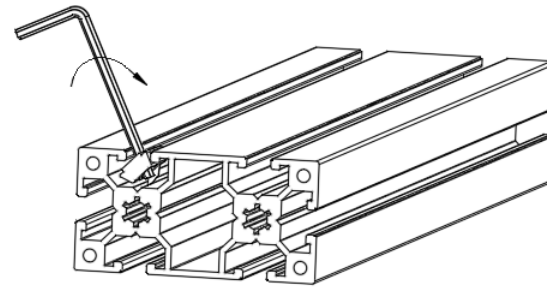


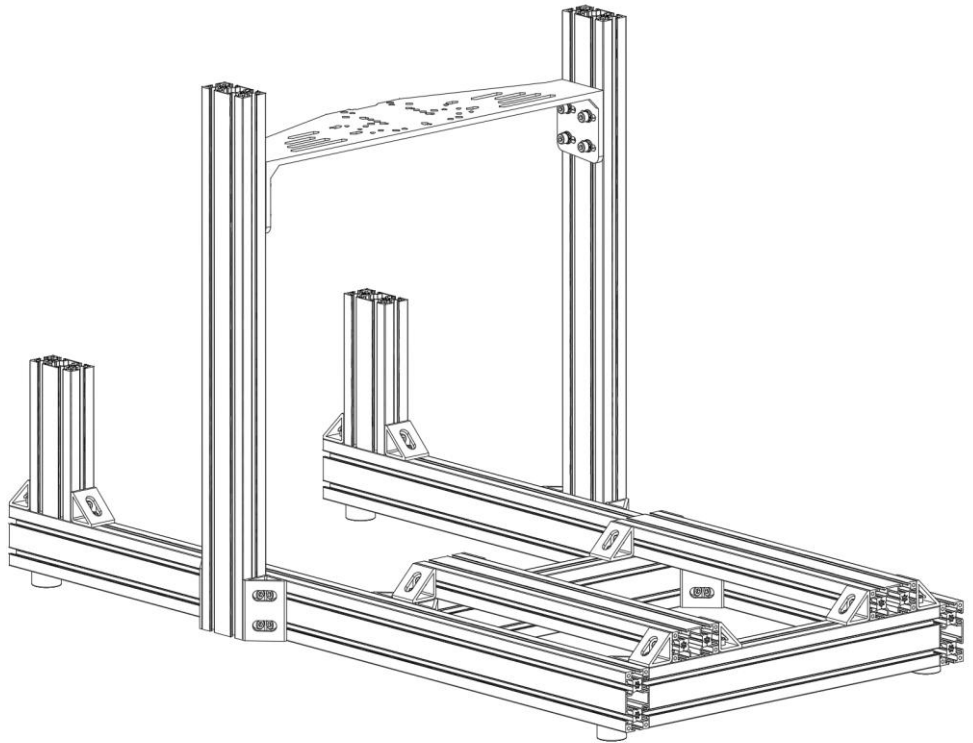
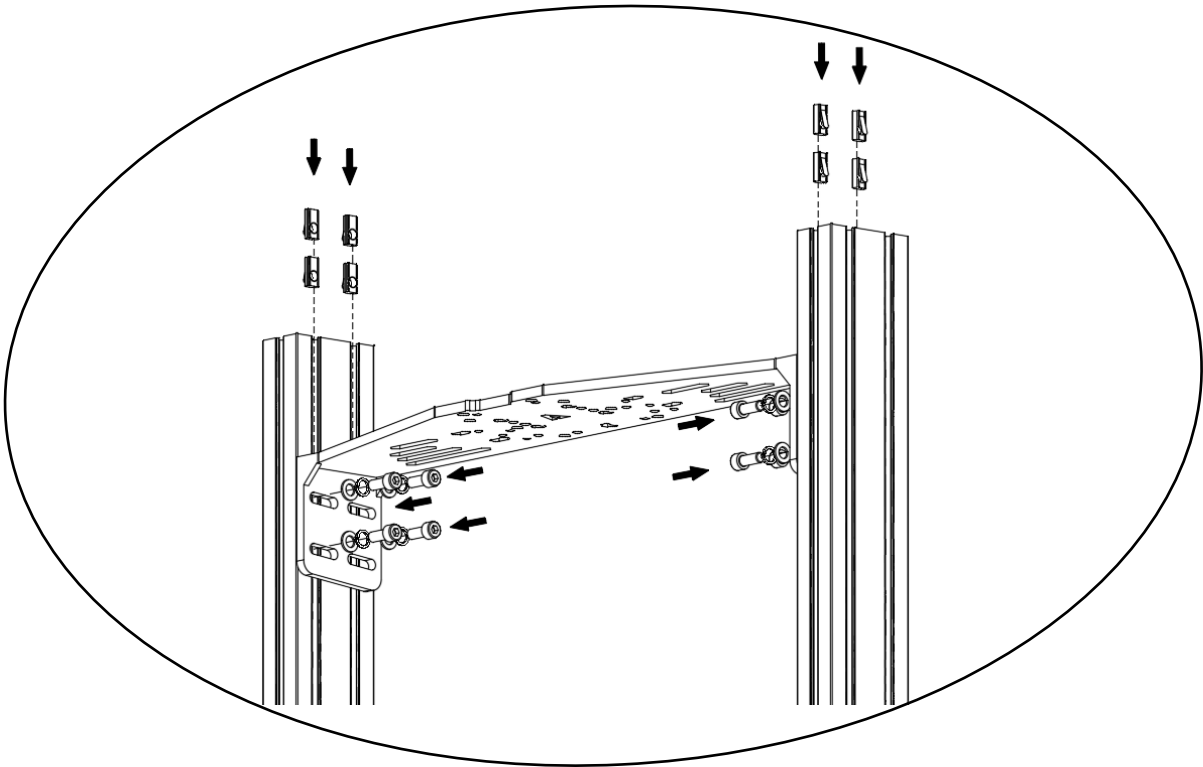
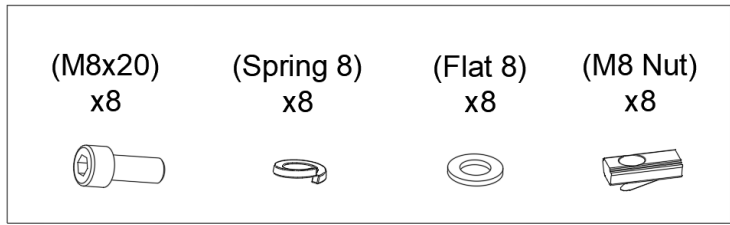
If you are missing any parts, please contact our customer support team who can assist!

Method 1



Method 2





“Congratulations on completing your rig assembly. If you have any questions or encounter any problems, please contact us for support!”