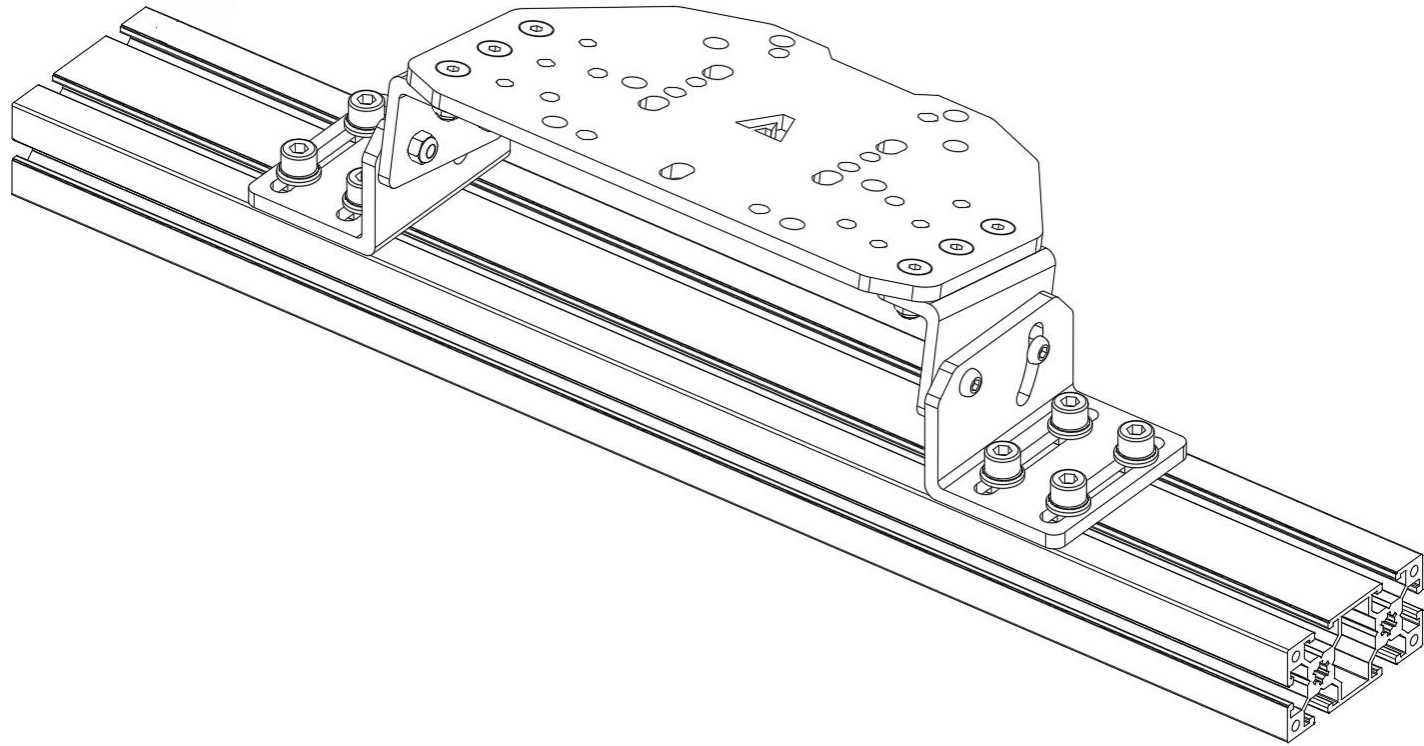




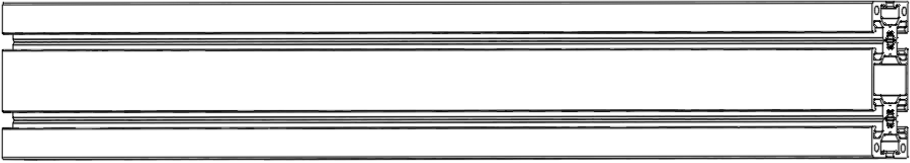
Quick Installation Guide

VNM Wheelbase Mount V2



1

40x80x580
x1

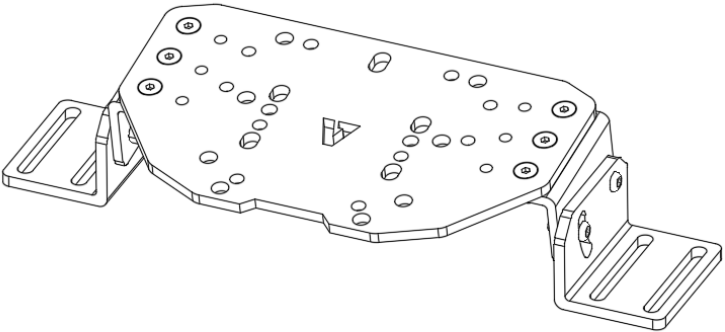


4080 Conner Aluminum
x2

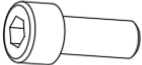


2

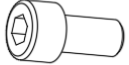
Wheelbase Mount V2
x1



(M8x20)
x8



(M8x16)
x8



(M8)
x16







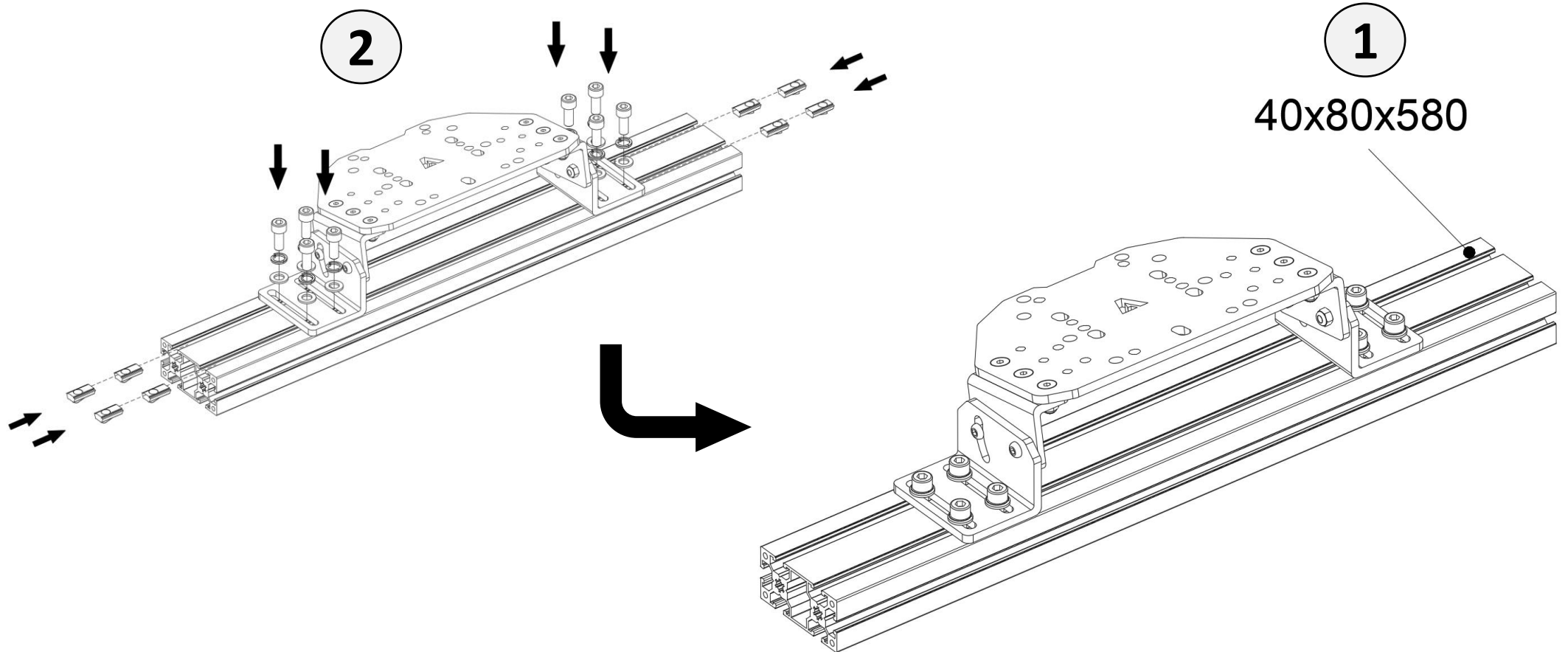
(Spring 8)
x8



(Flat 8)
x8



(M8x20) x8	(Spring 8) x8	(Flat 8) x8	(M8 Nut) x8
			



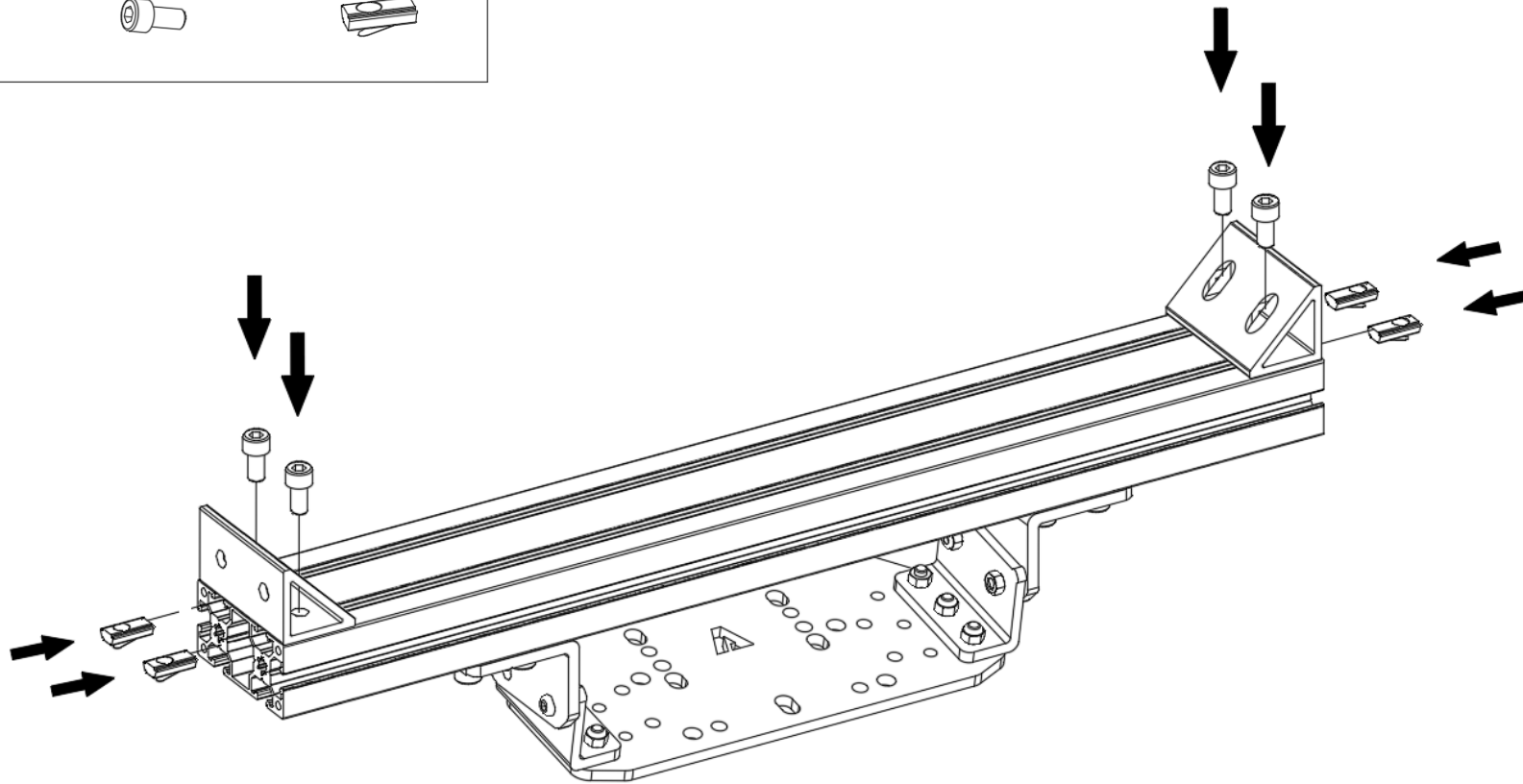
(4080 Alu Corner)
x2



(M8x16)
x4



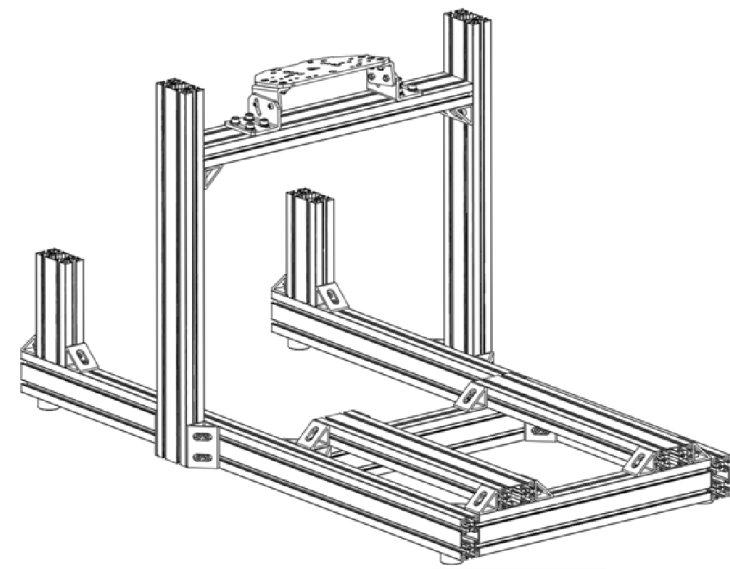
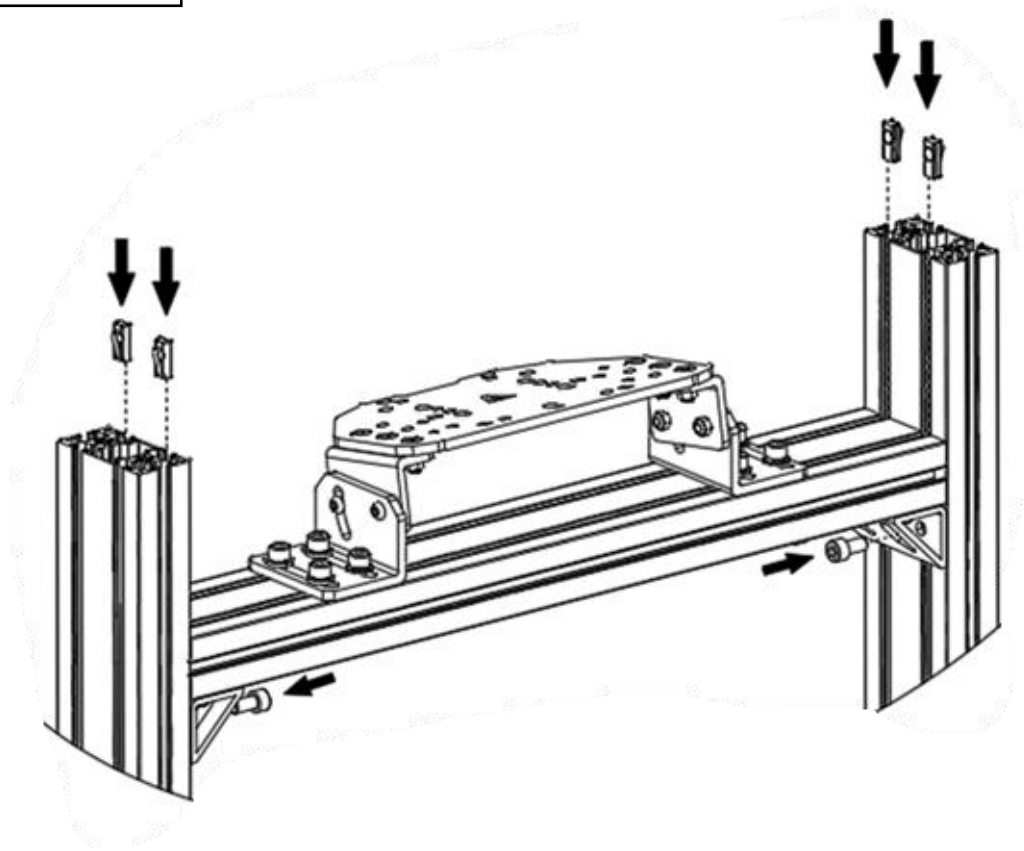
(M8 Nut)
x4

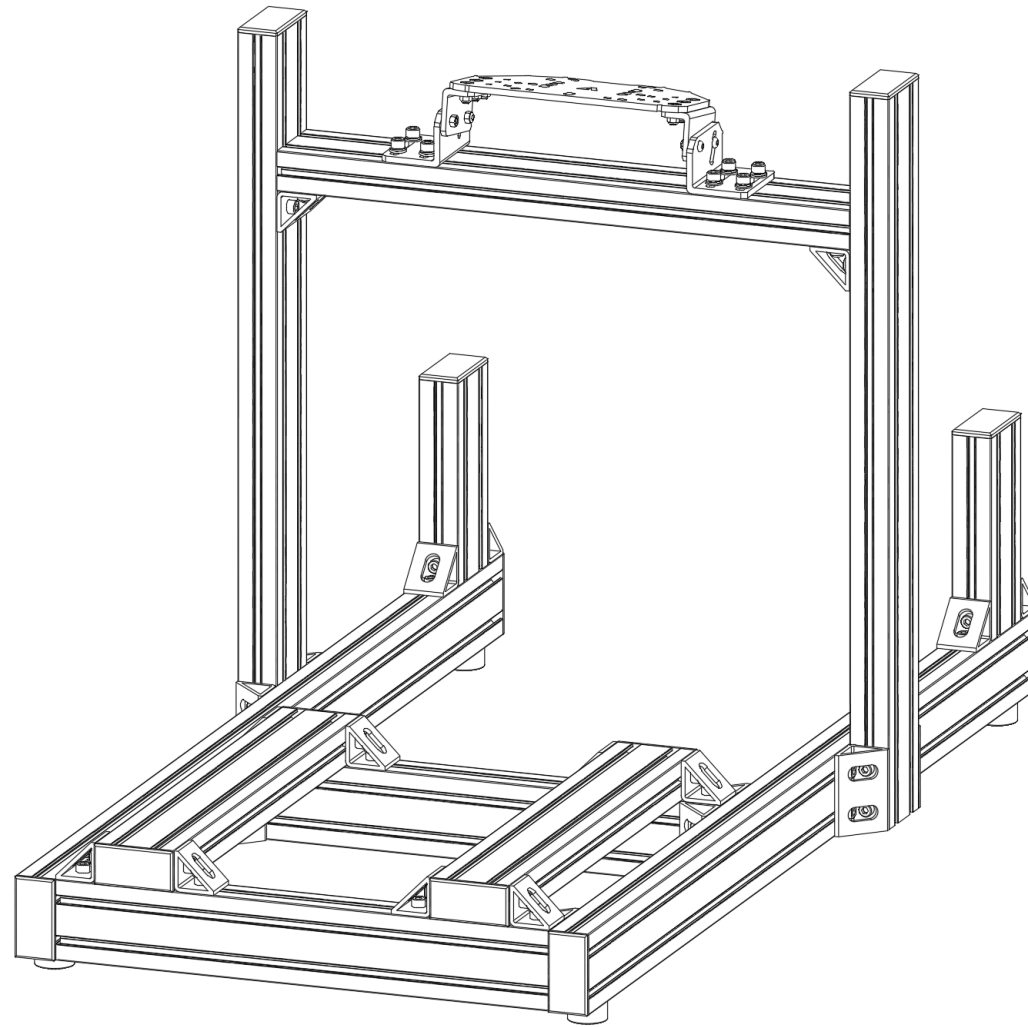


(M8x16)
x4



(M8 Nut)
x4





“Congratulations on completing your rig assembly. If you have any questions or encounter any problems, please contact us for support!”