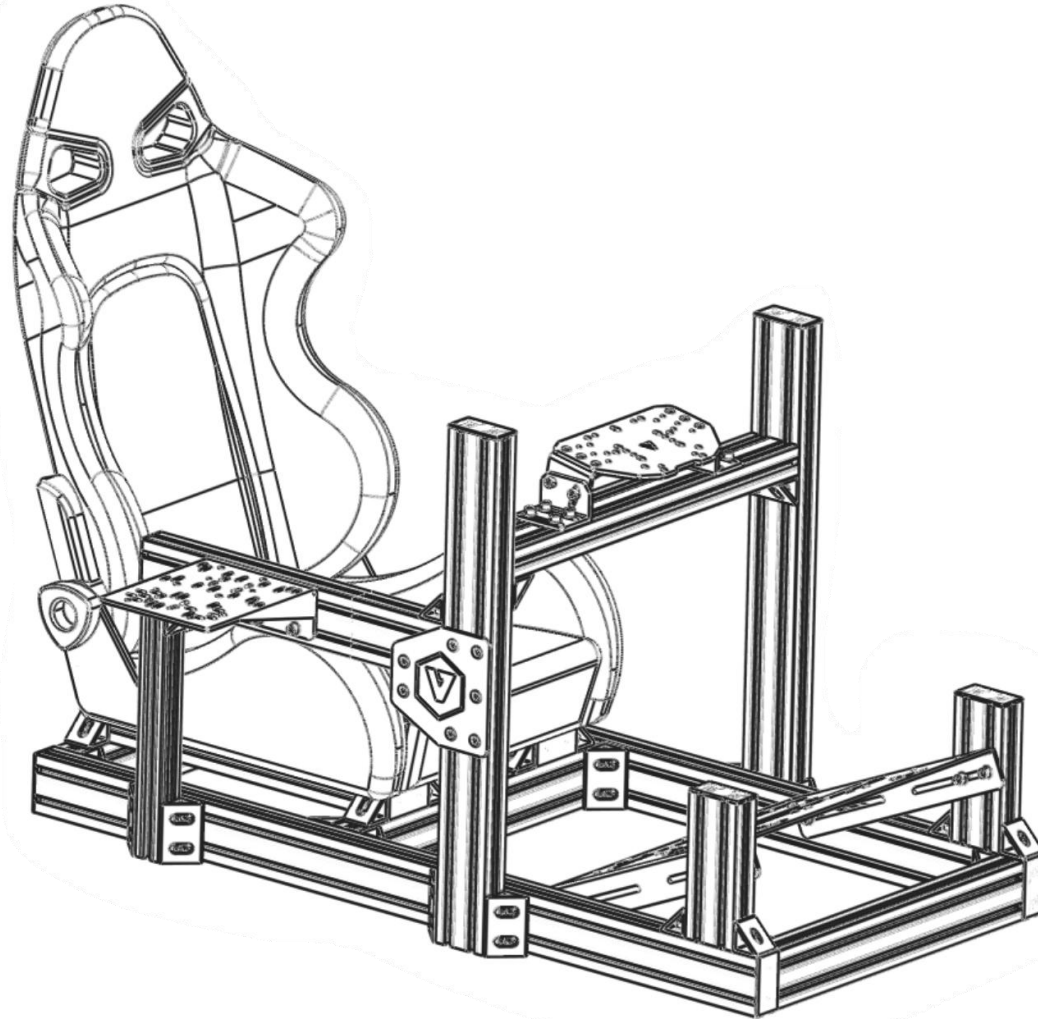
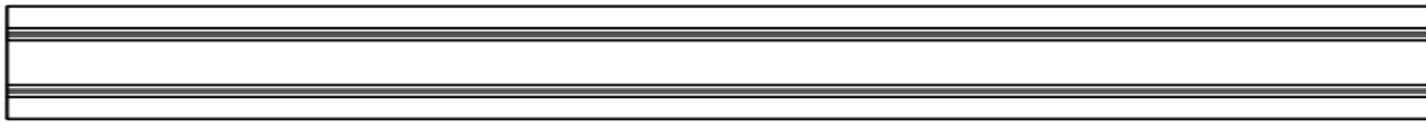




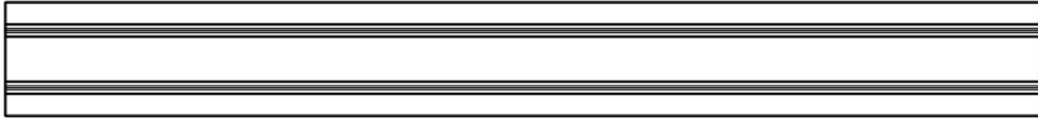
# Installation guide VNM Rig V2



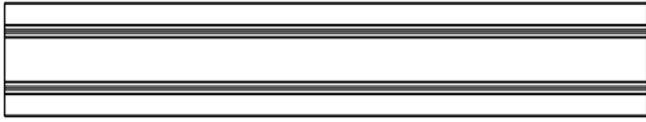
**1** 40x80x1200  
x2



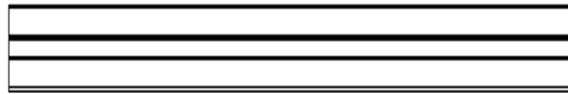
**2** 40x80x720  
x2



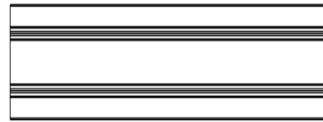
**3** 40x80x500  
x6



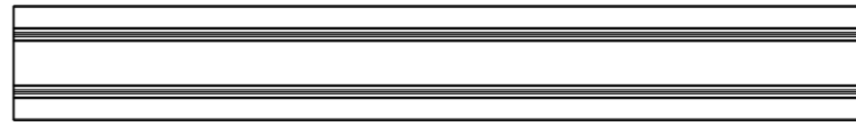
**4** 40x40x350  
x1



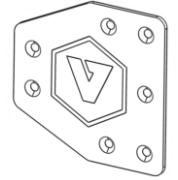
**5** 40x80x200  
x2



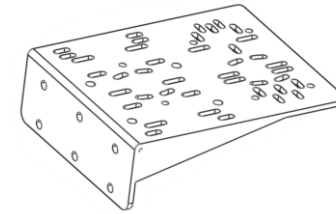
**6** 40x80x580  
x1



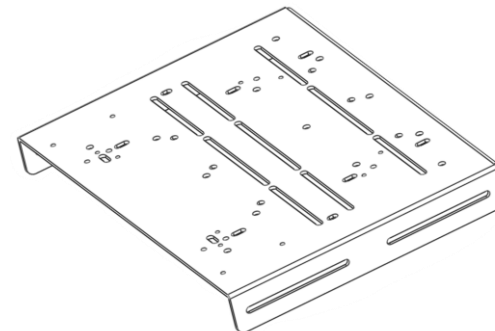
**7** VNM Plate  
x1



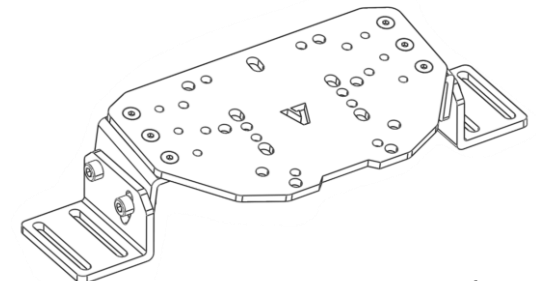
**8** Handbrake  
Shifter Bracket  
x1



**9** Pedal base plate V3  
x1

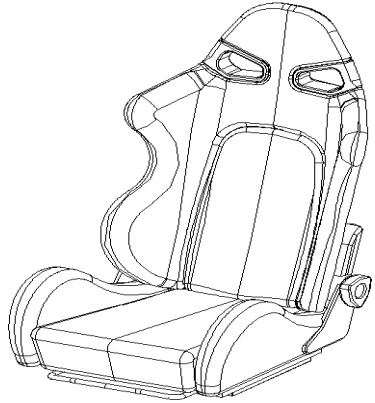


**10** Wheel base mount V2  
x1

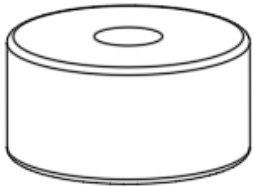


**11**

**Driver's Seat  
x1**



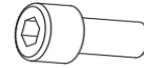
**Rubber foot  
x4**



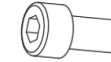
**Flat, Spring M8  
x38**



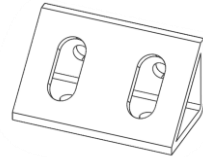
**M8x20  
x8**



**M8x16  
x104**



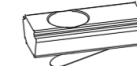
**4080 Conner Alu  
x16**



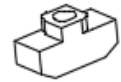
**M8x16  
x7**



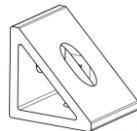
**M8 Slider  
x123**



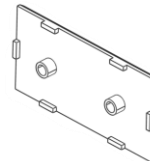
**T Nut M6  
x4**



**4040 Conner Alu  
x15**



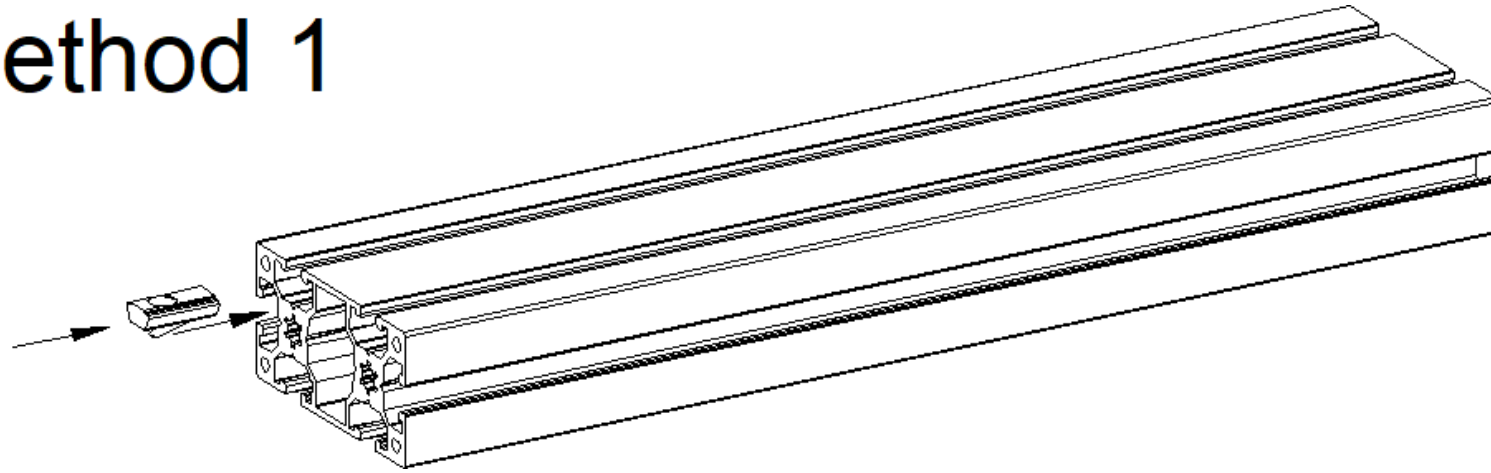
**Alu Cover  
x13**



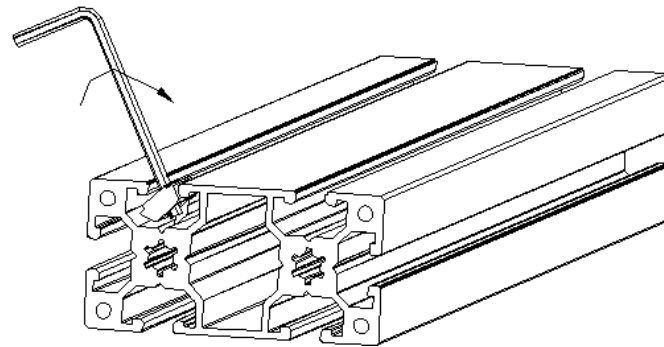
**(M6x20)  
x4**

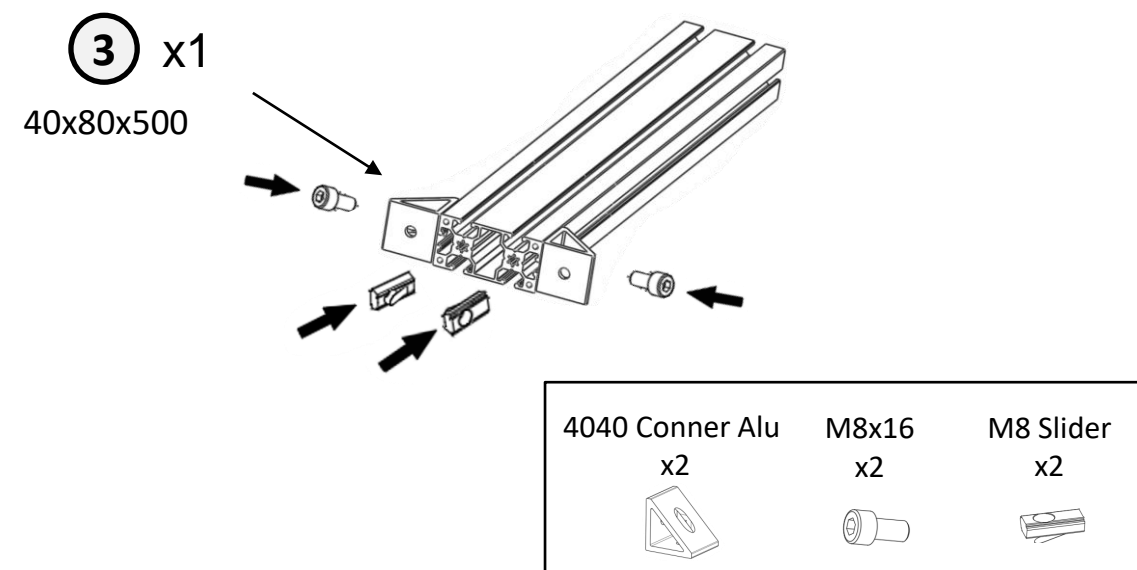
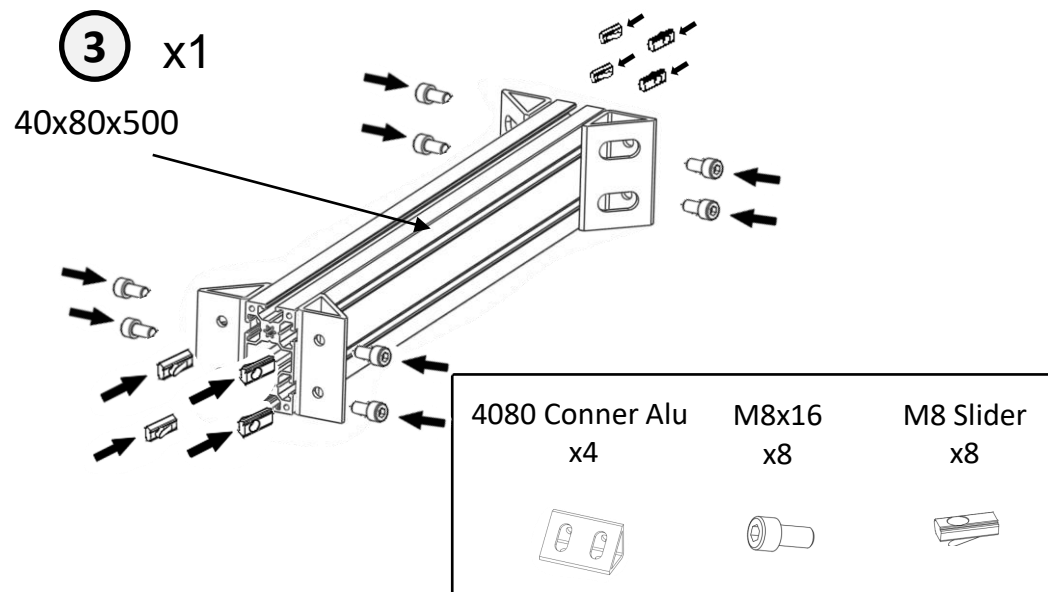
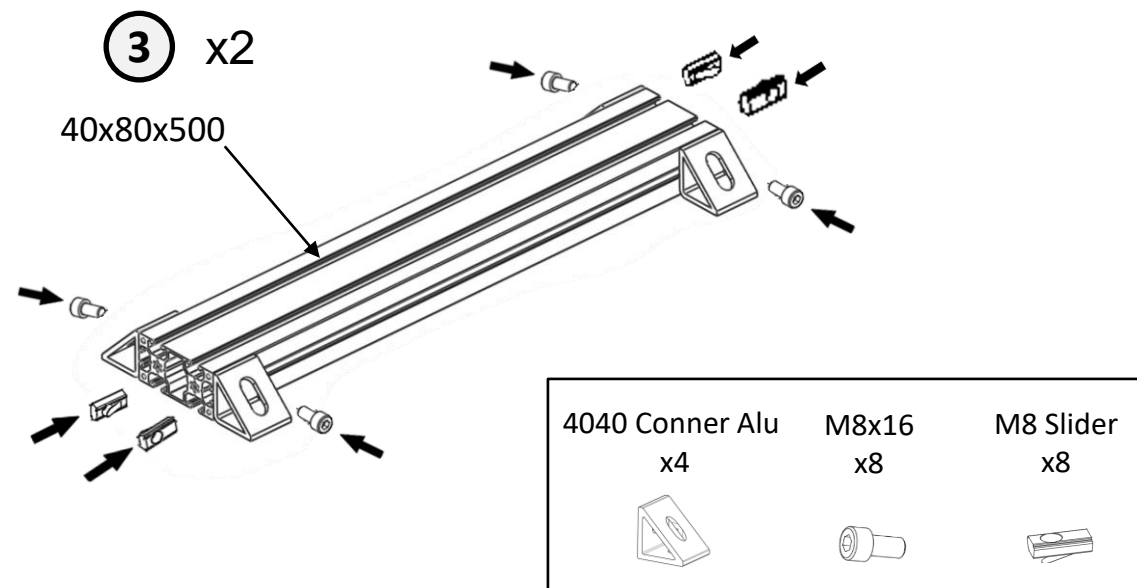
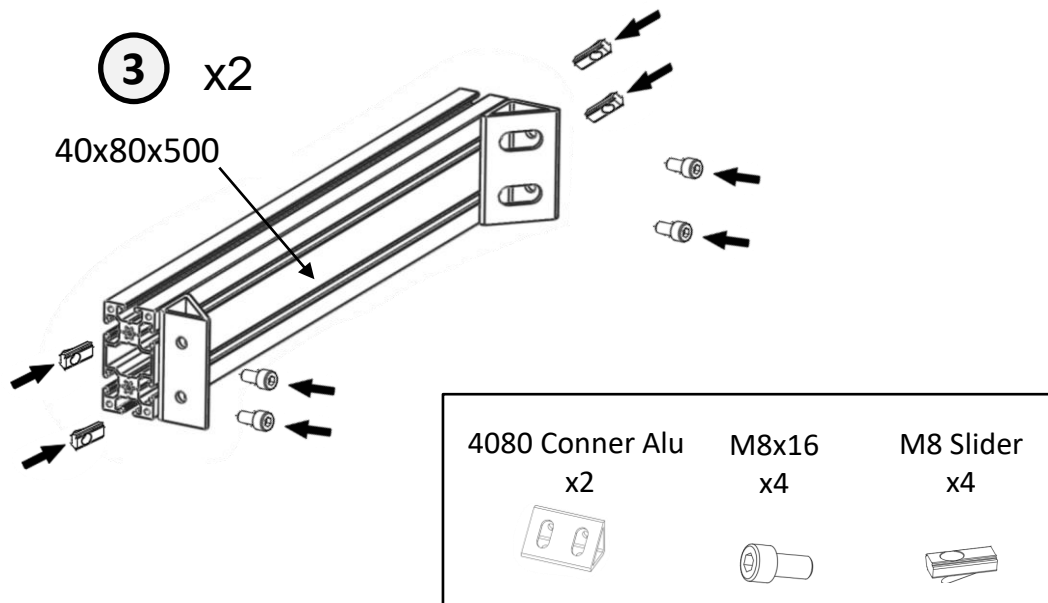


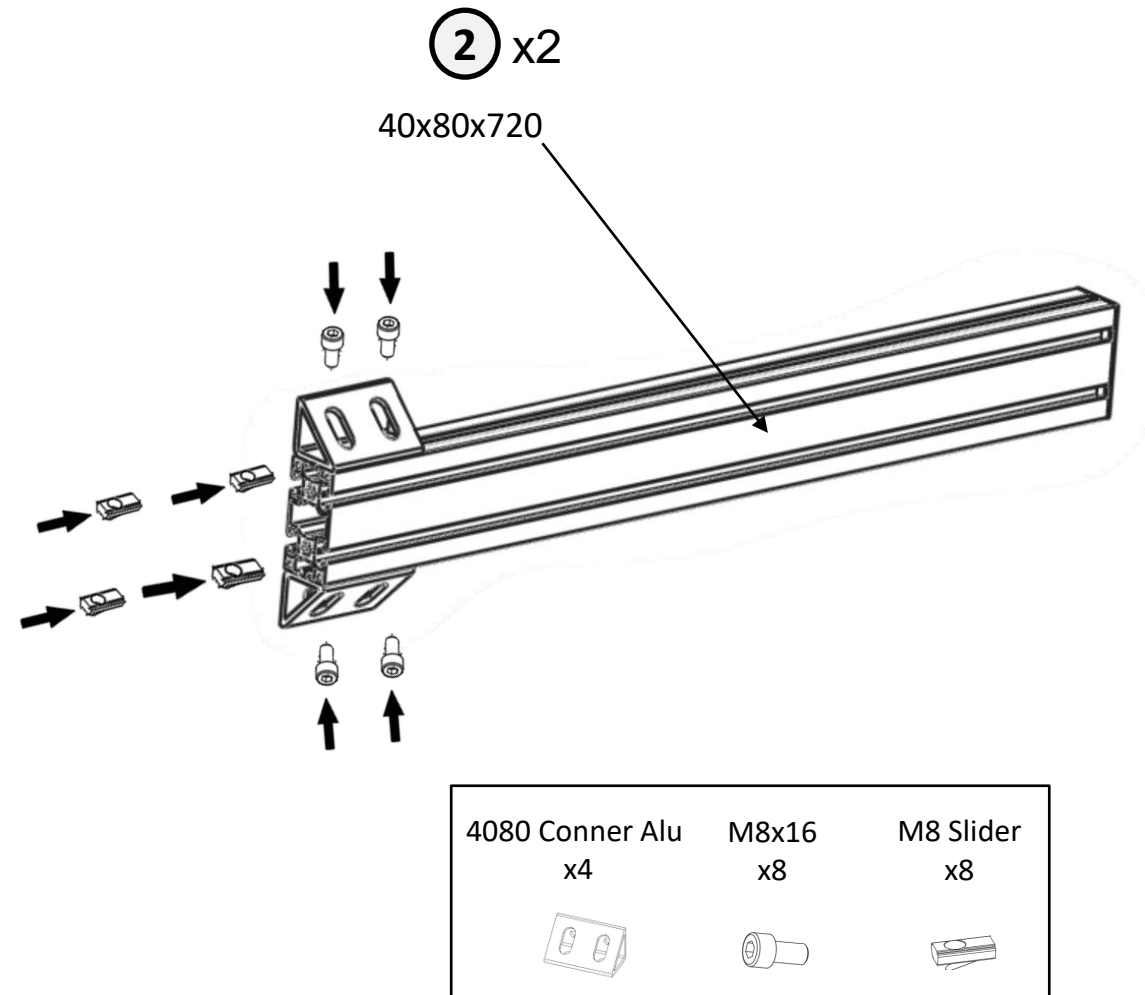
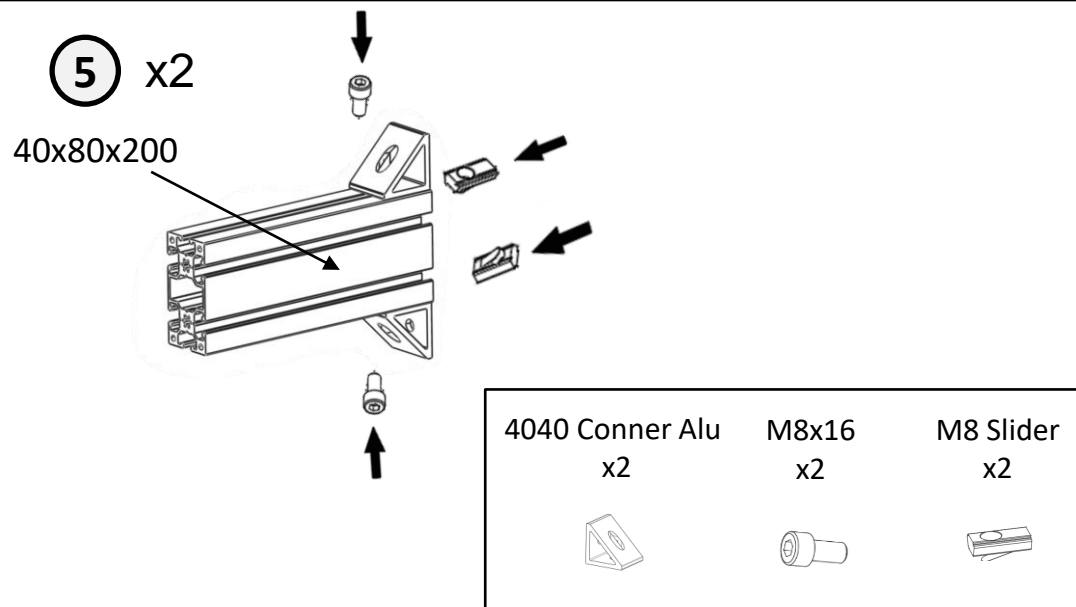
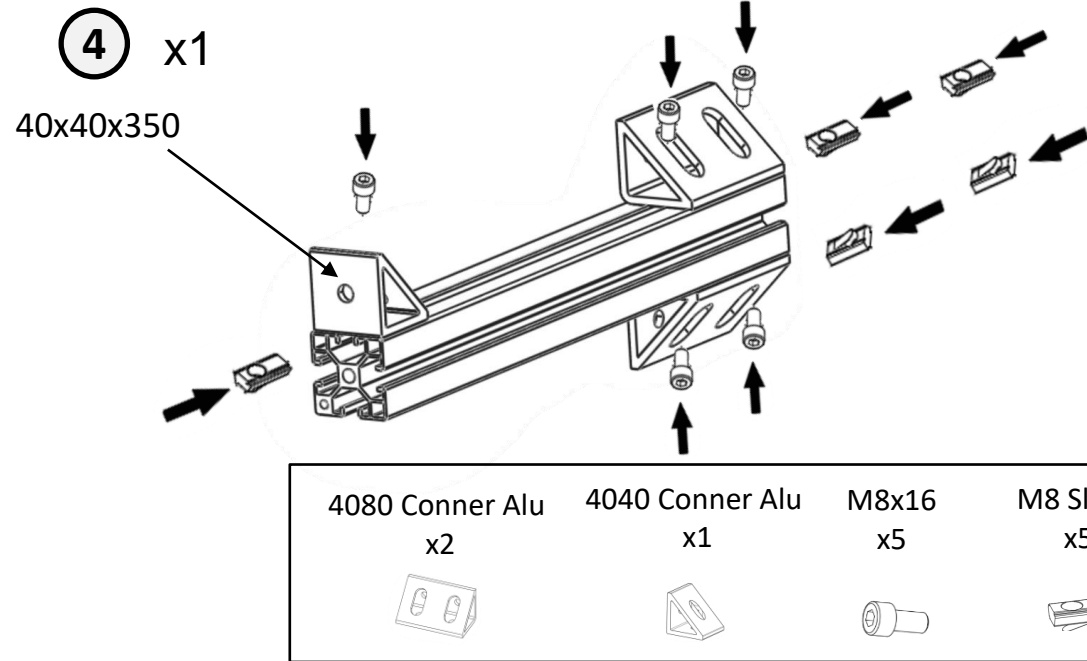
# Method 1

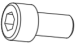



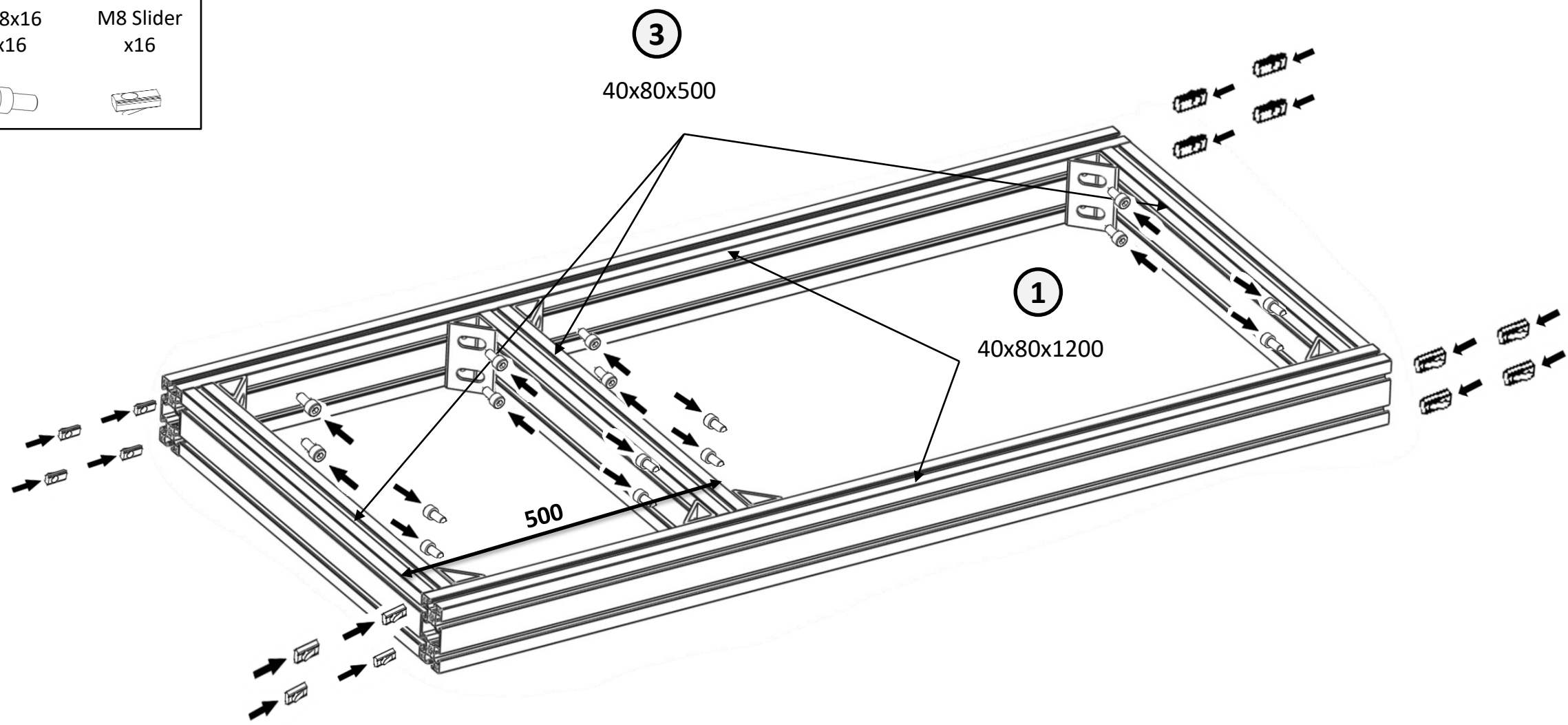
# Method 2

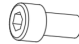



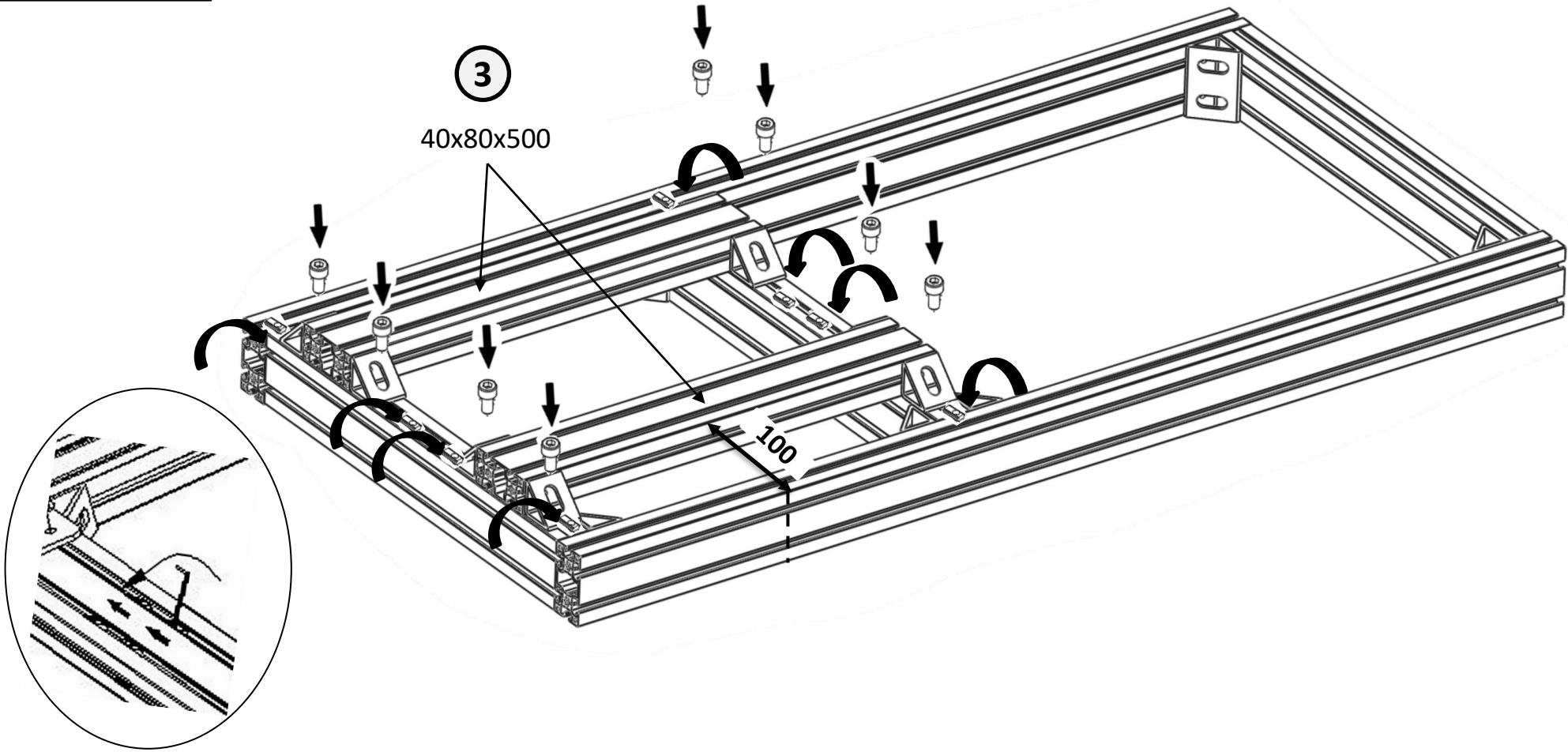


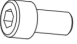



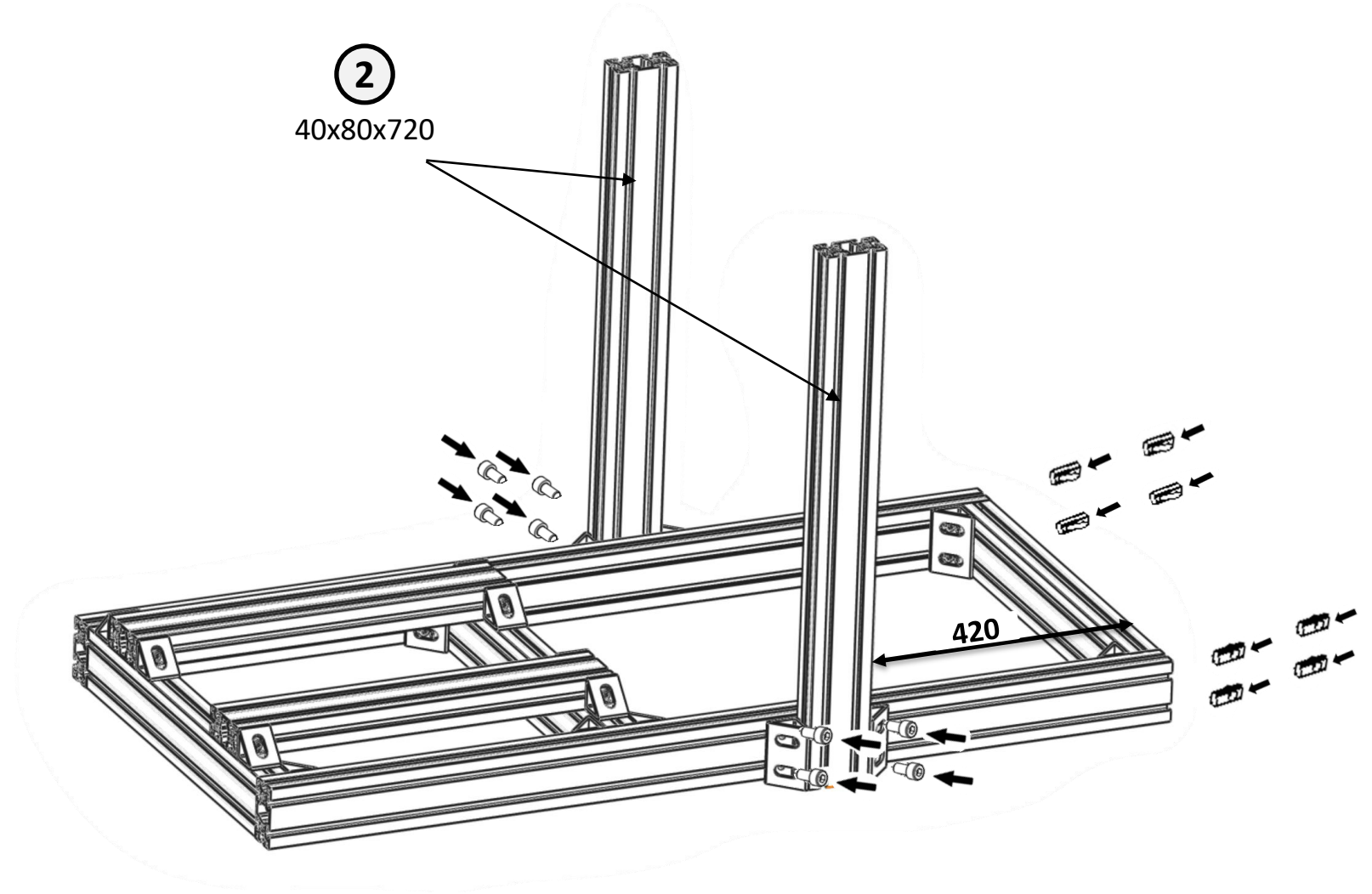
M8x16 x16	M8 Slider x16
	

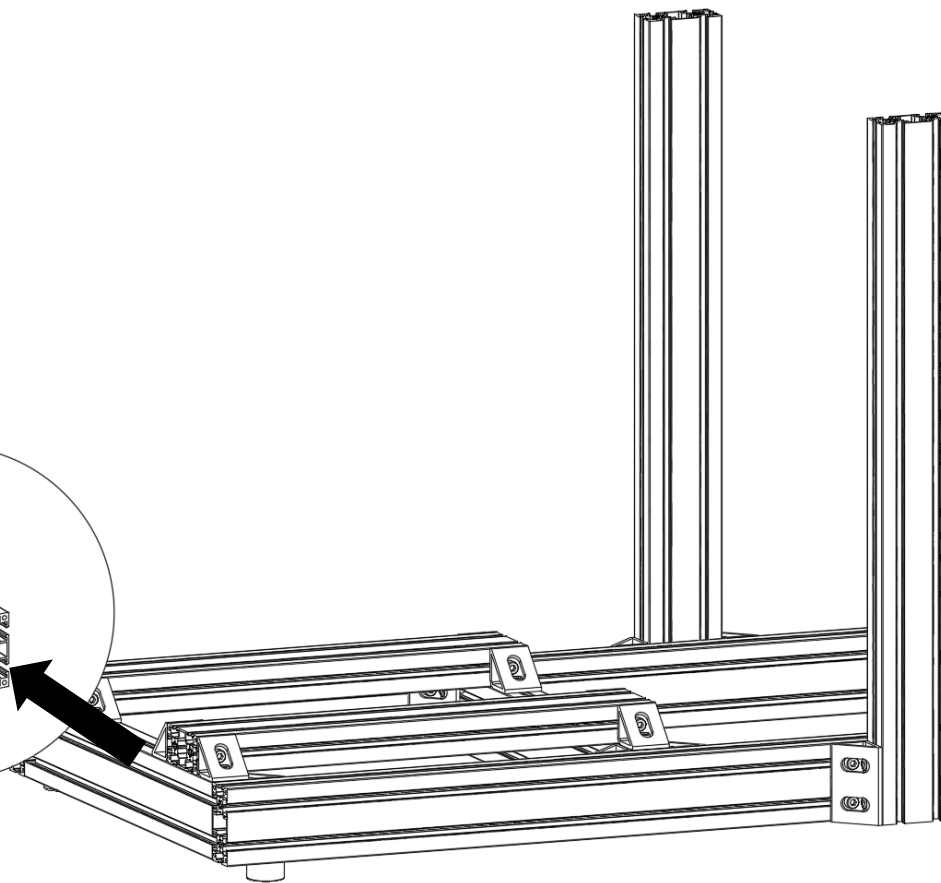
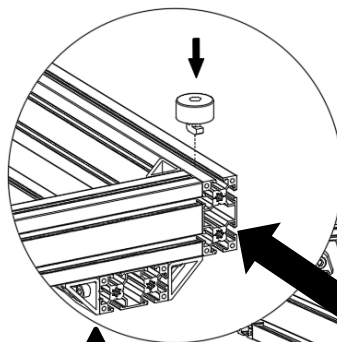
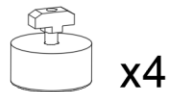
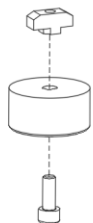
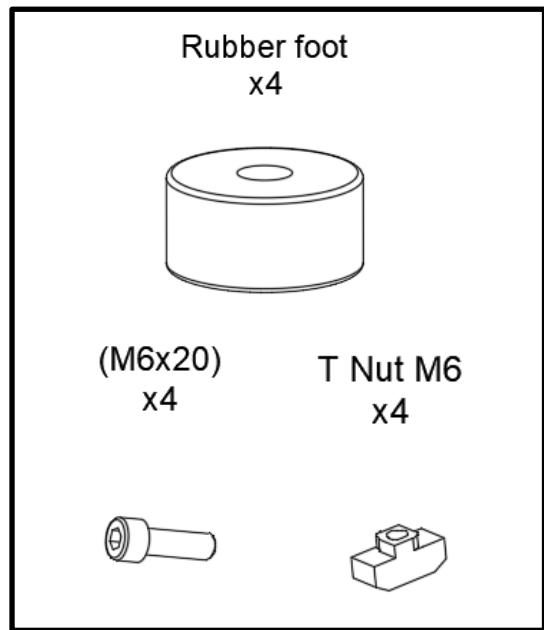


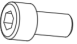

M8x16 x8	M8 Slider x8
	

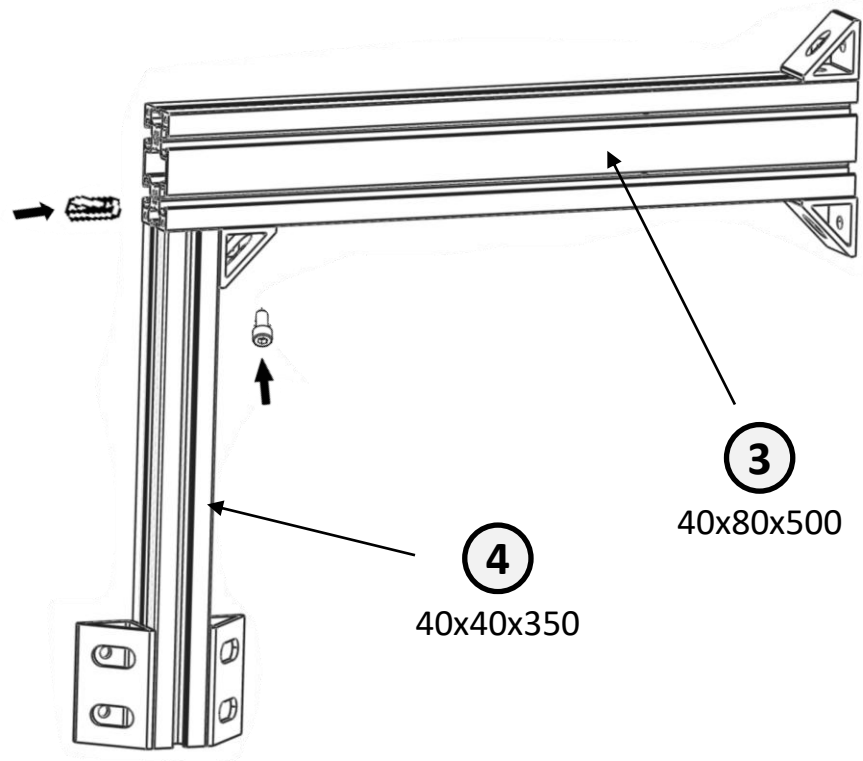



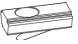
M8x16 x8	M8 Slider x8
	

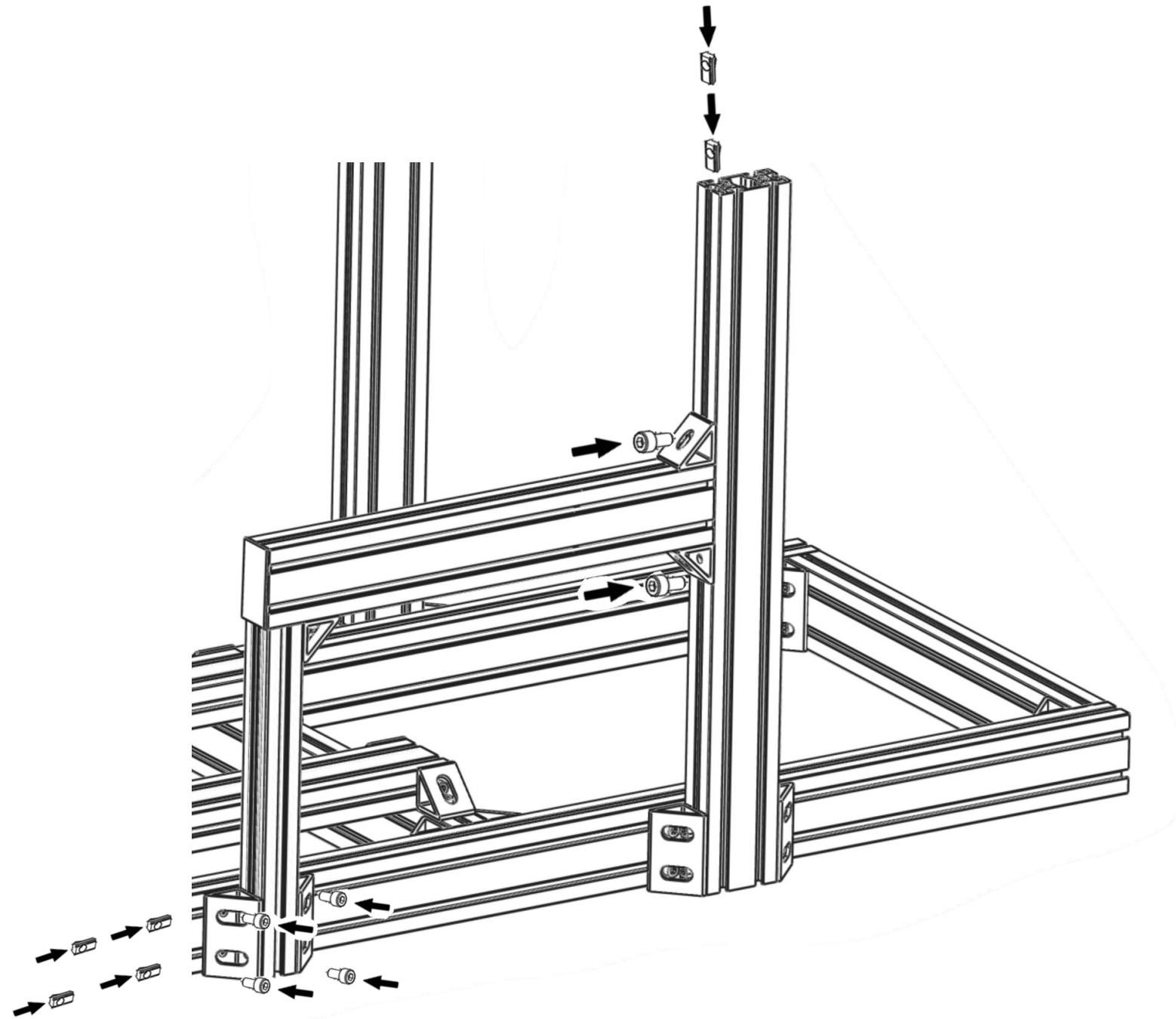


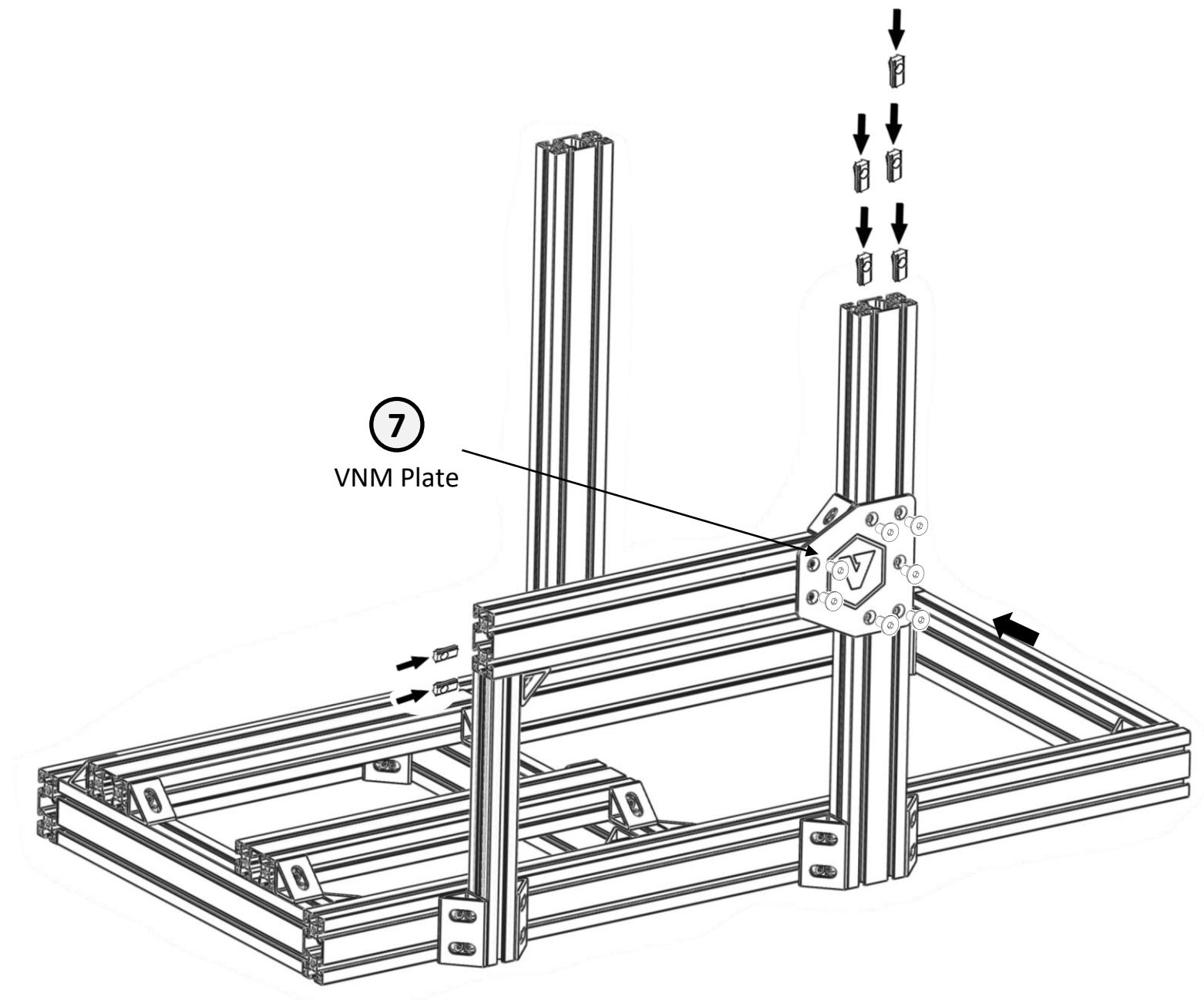
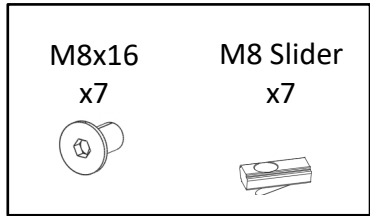



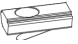

M8x16 x1	M8 Slider x1
	



M8x16 x6	M8 Slider x6
	

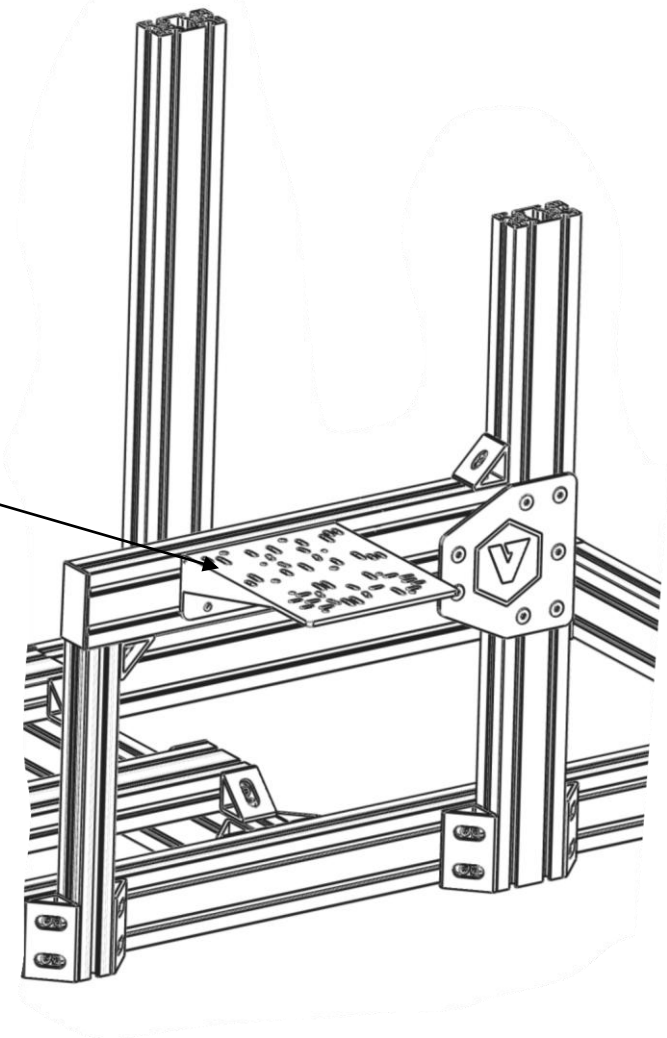
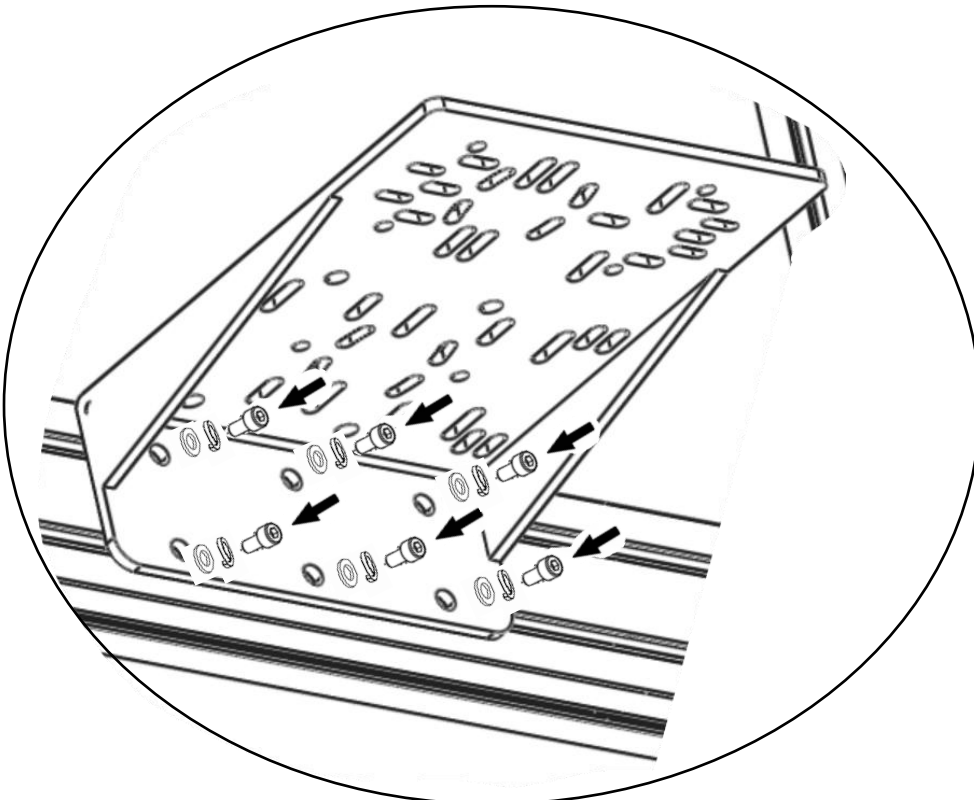




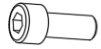
M8x16 x6	M8 Slider x6	Flat, Spring M8 x6
		

8

Handbrake Shifter  
Bracket



(M8x20)  
x8



(Spring 8)  
x8



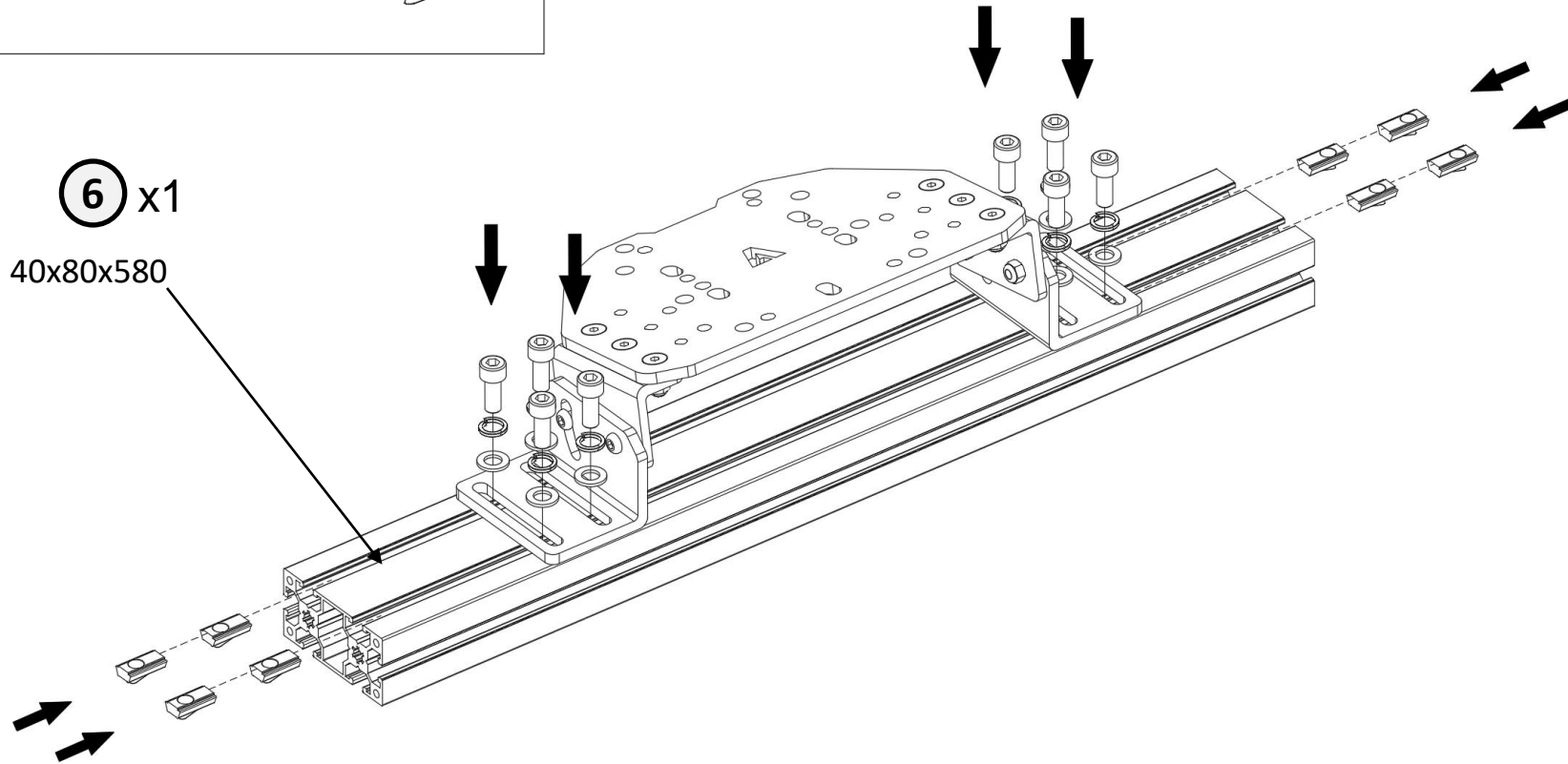
(Flat 8)  
x8



(M8 Nut)  
x8



⑥ x1  
40x80x580



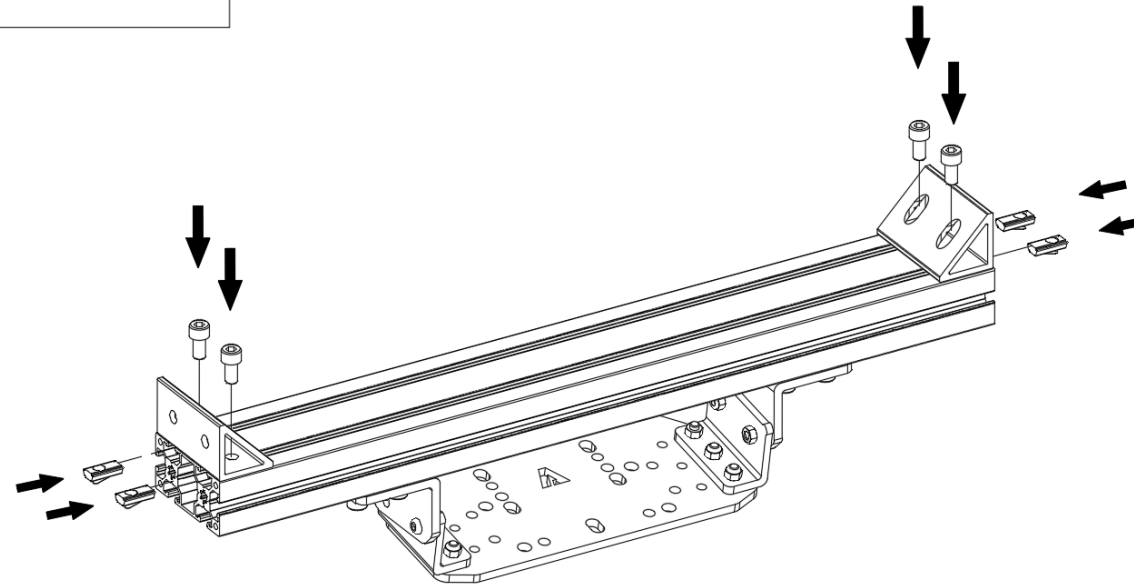
(4080 Alu Corner)  
x2


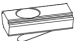


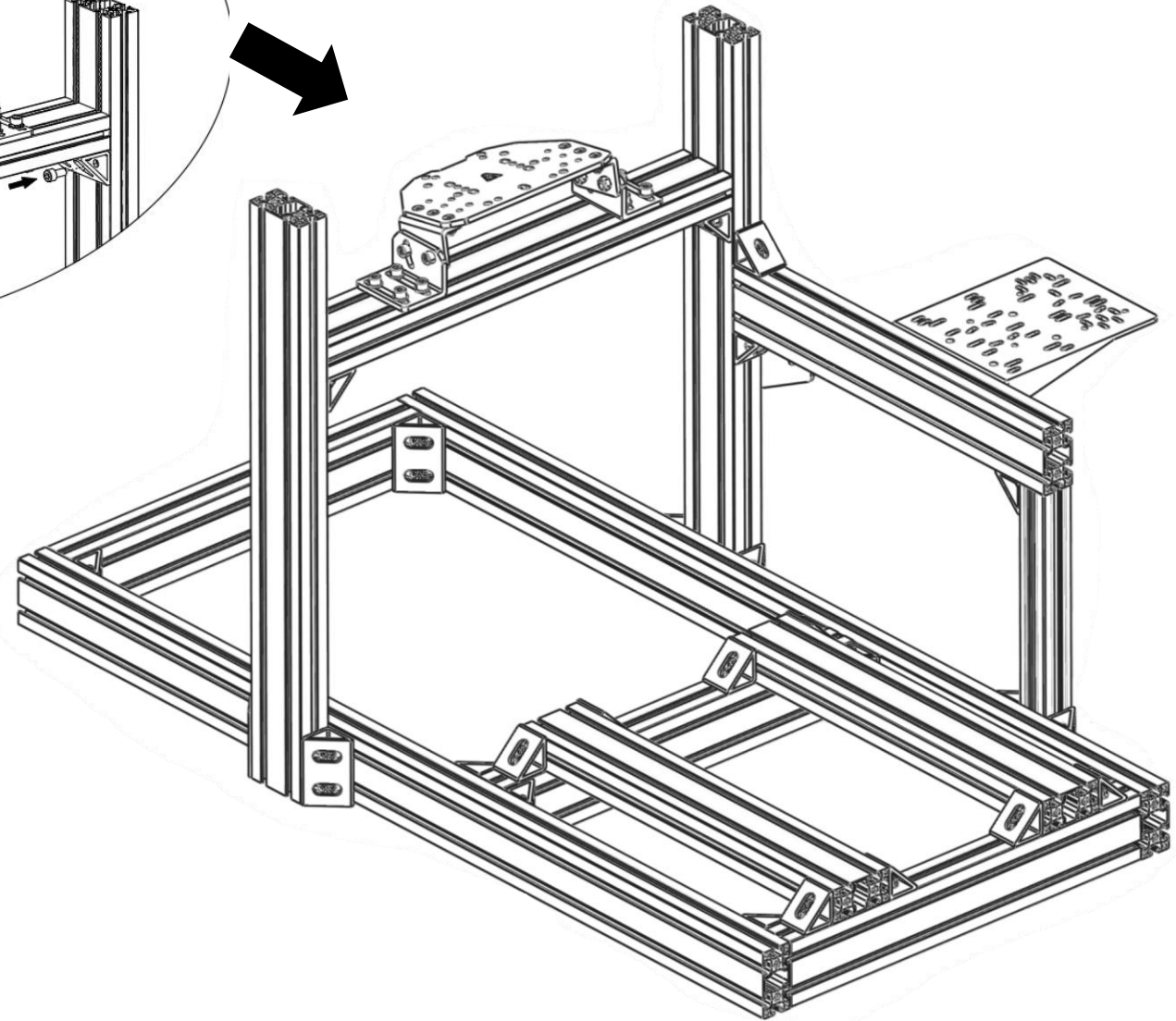
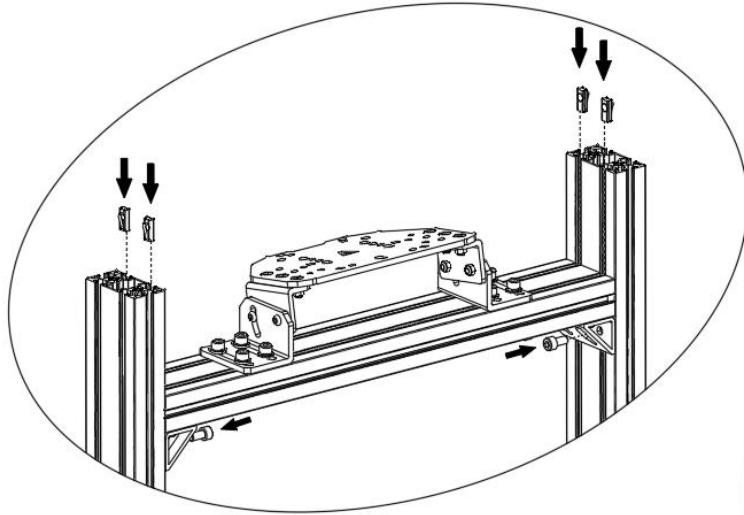
(M8x16)  
x4

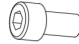



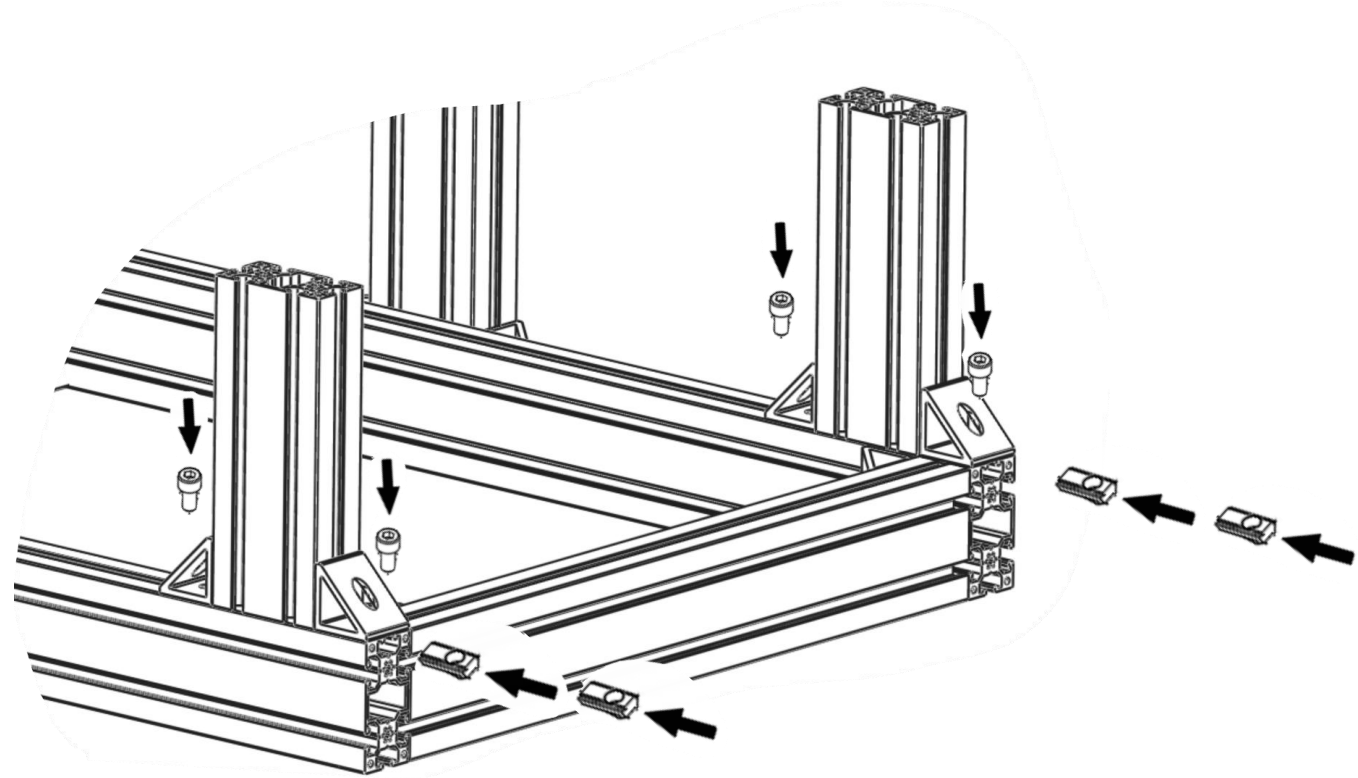
(M8 Nut)  
x4

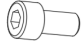

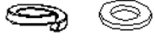


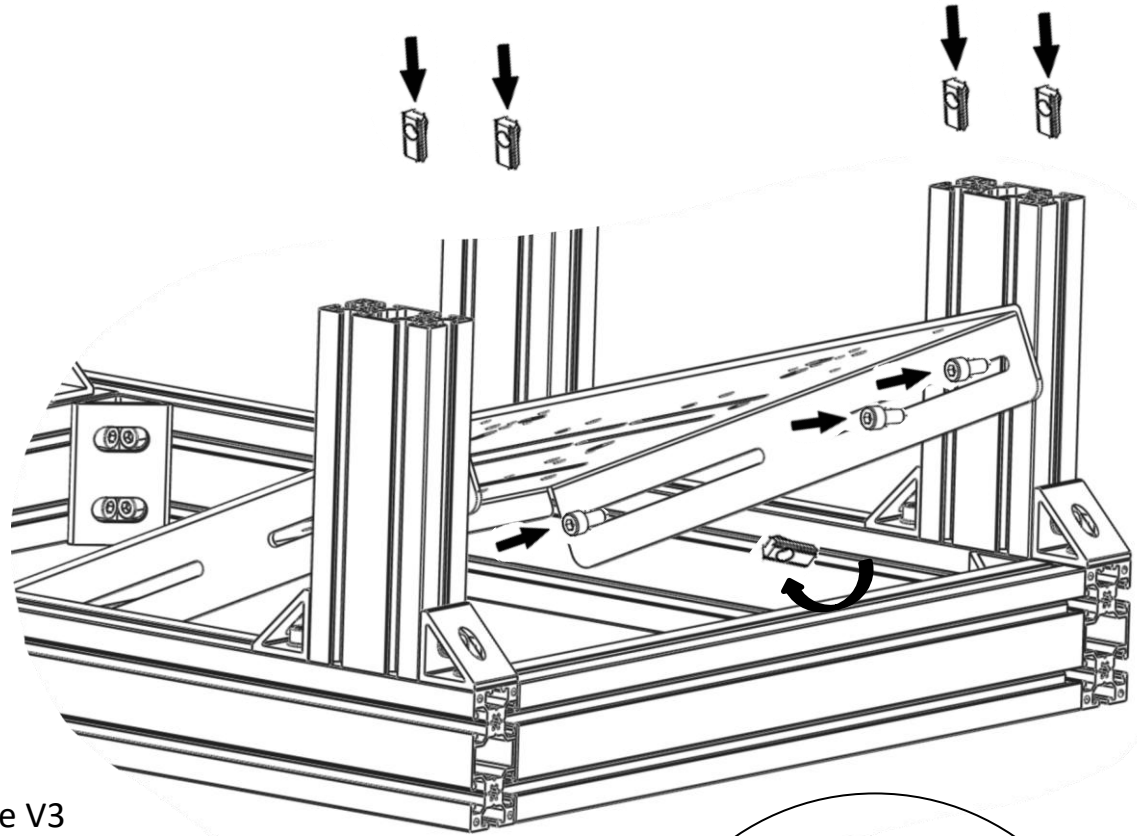
M8x16 x4	M8 Slider x4
	



M8x16 x4	M8 Slider x4
	

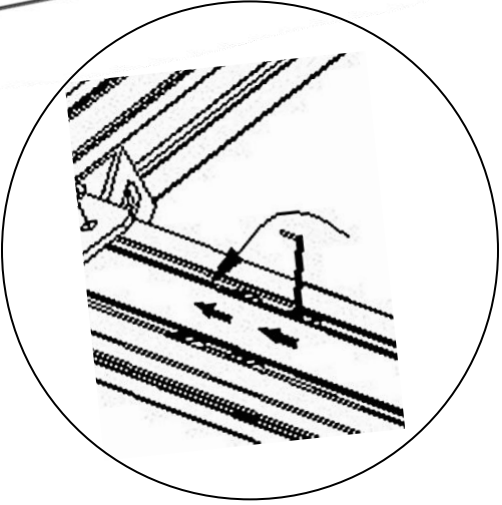


M8x16 x6	M8 Slider x6	Flat, Spring M8 x6
		



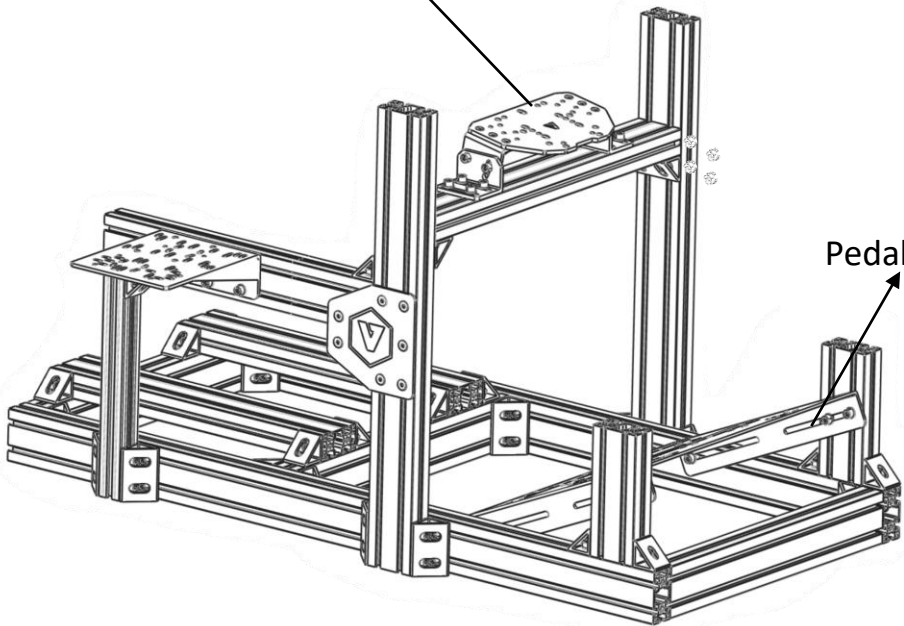
9

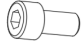

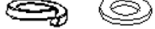
Pedal base plate V3

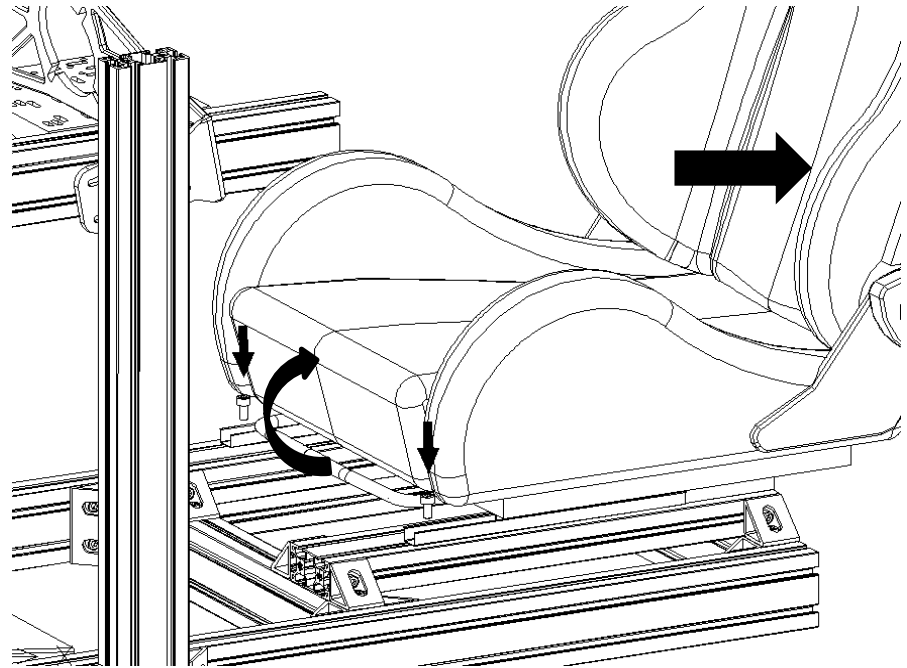
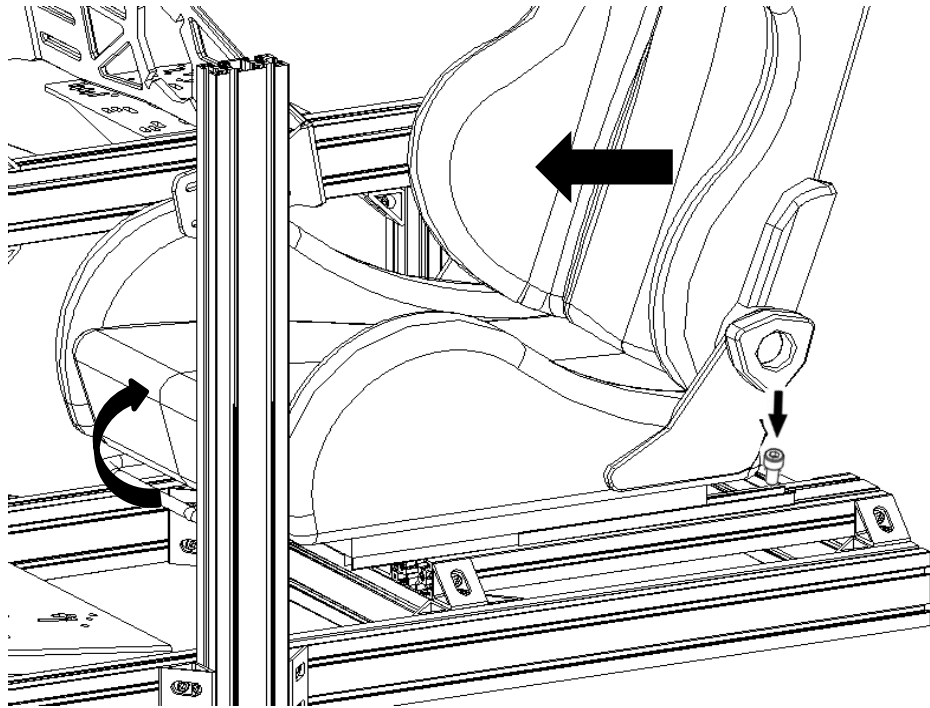
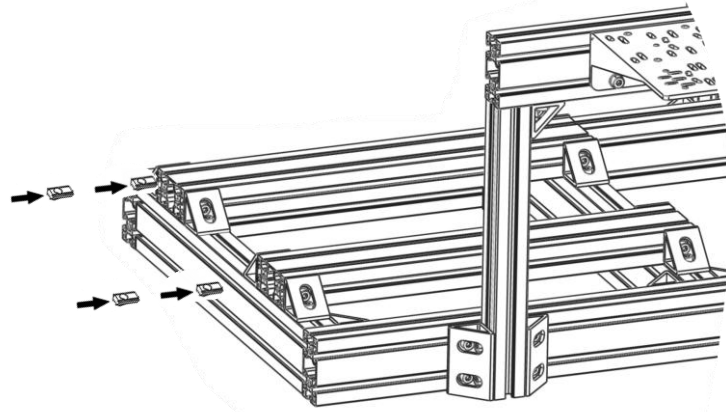


10

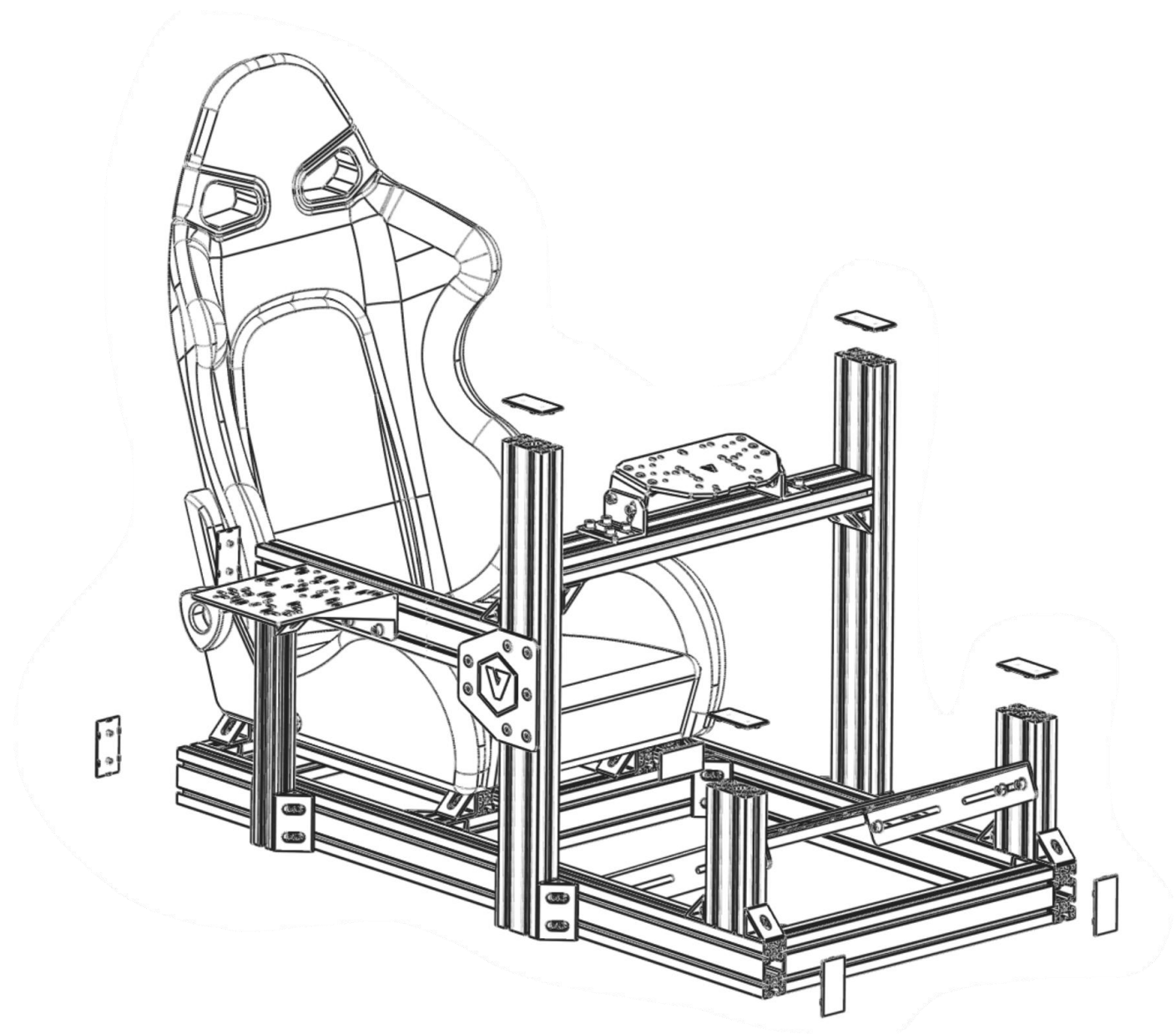
Wheel Base Mount  
V2

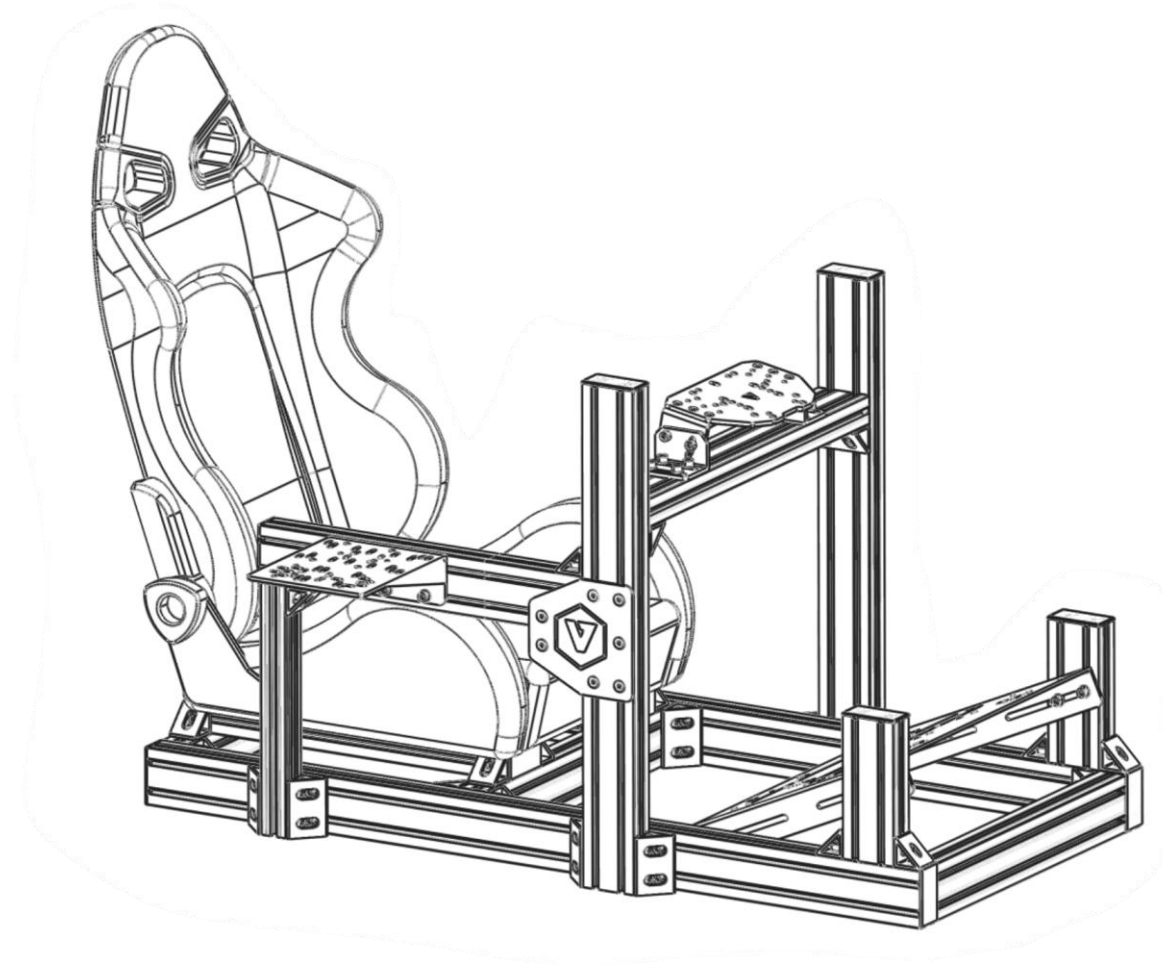


M8x16 x4	M8 Slider x4	Flat, Spring M8 x4
		



Alu cover  
x13





*“Congratulations on completing your rig assembly.  
If you have any questions or encounter any problems, please contact us for support!”*