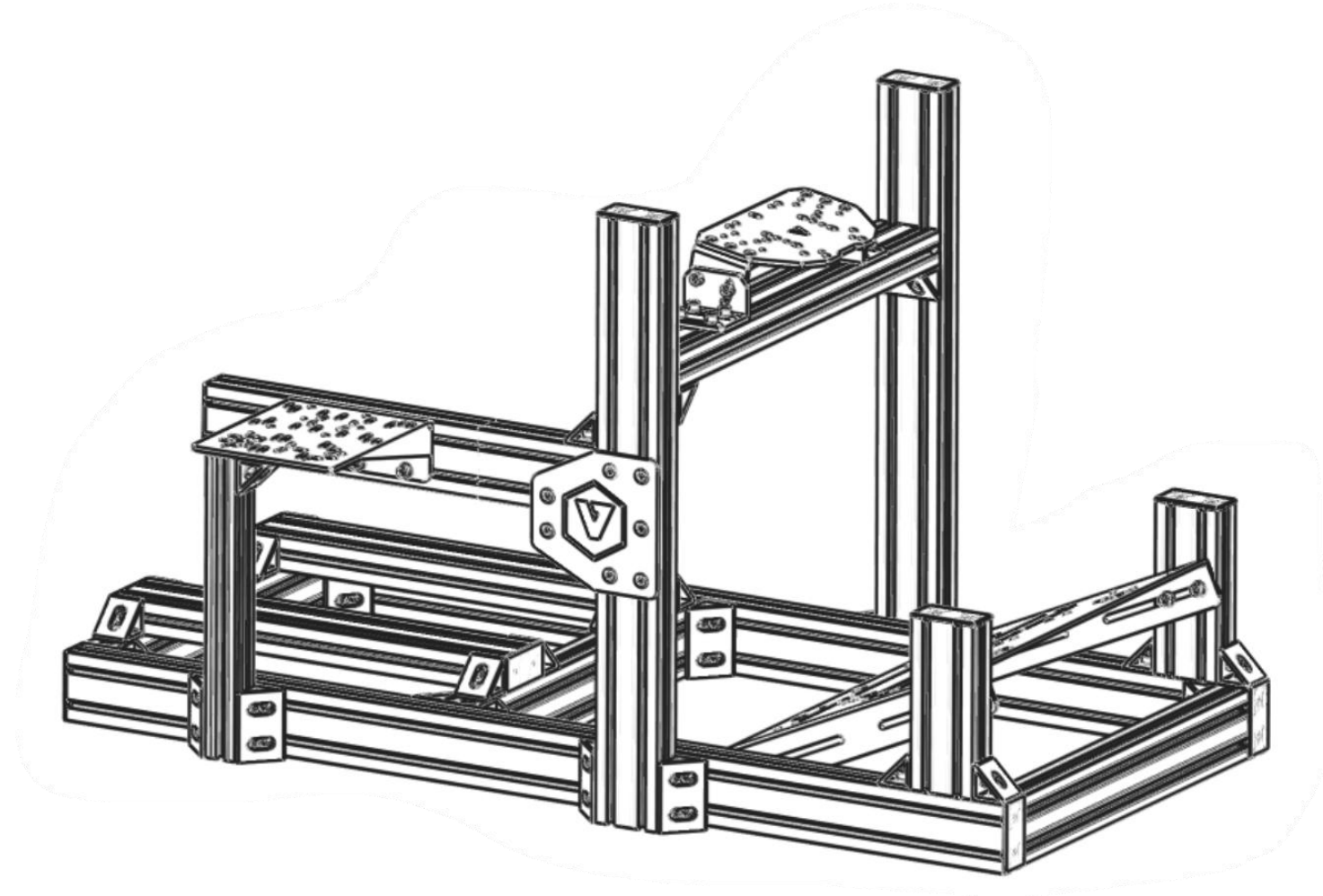


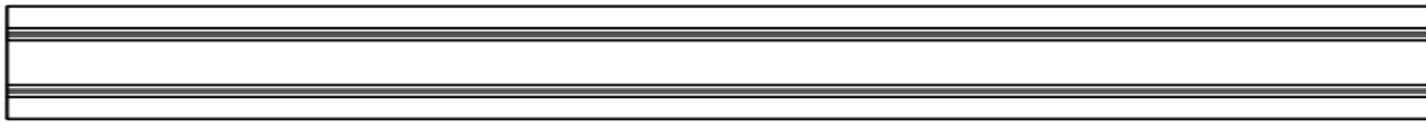


Installation guide

VNM Rig V2 (no seat)



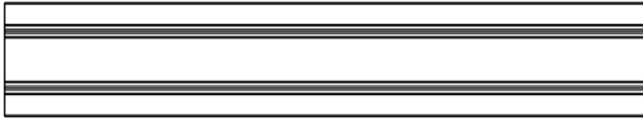
1 40x80x1200
x2



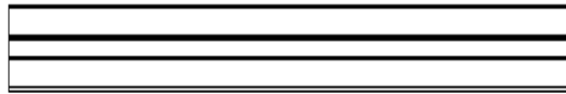
2 40x80x720
x2



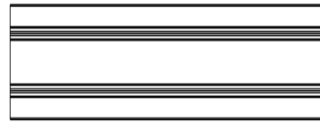
3 40x80x500
x6



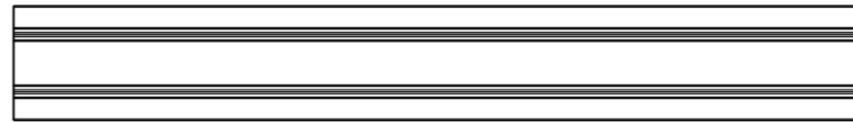
4 40x40x350
x1



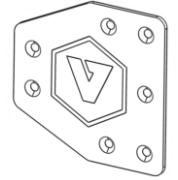
5 40x80x200
x2



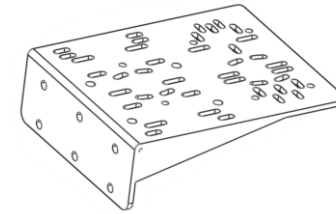
6 40x80x580
x1



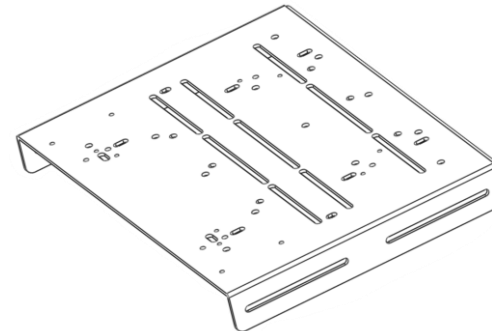
7 VNM Plate
x1



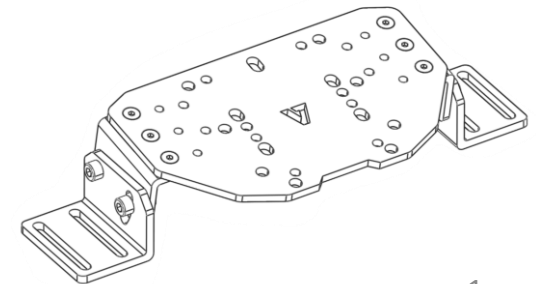
8 Handbrake
Shifter Bracket
x1



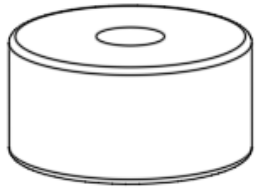
9 Pedal base plate V3
x1



10 Wheel base mount V2
x1



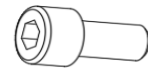
Rubber foot
x4



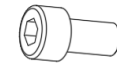
Flat, Spring M8
x34



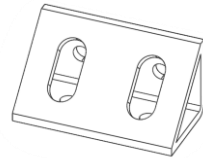
M8x20
x8



M8x16
x100



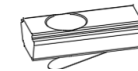
4080 Conner Alu
x16



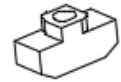
M8x16
x7



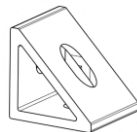
M8 Slider
x119



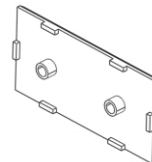
T Nut M6
x4



4040 Conner Alu
x15



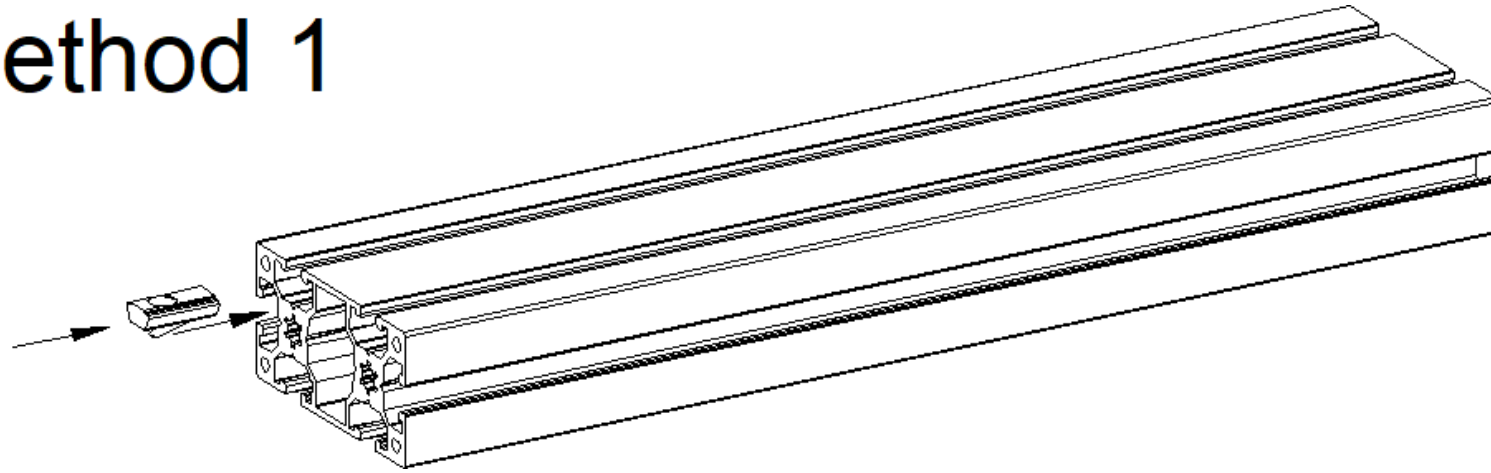
Alu Cover
x13



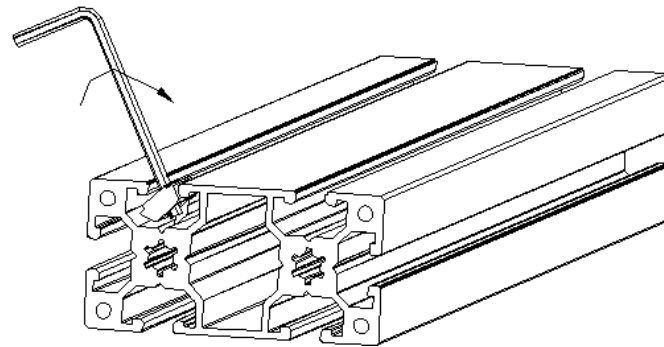
(M6x20)
x4

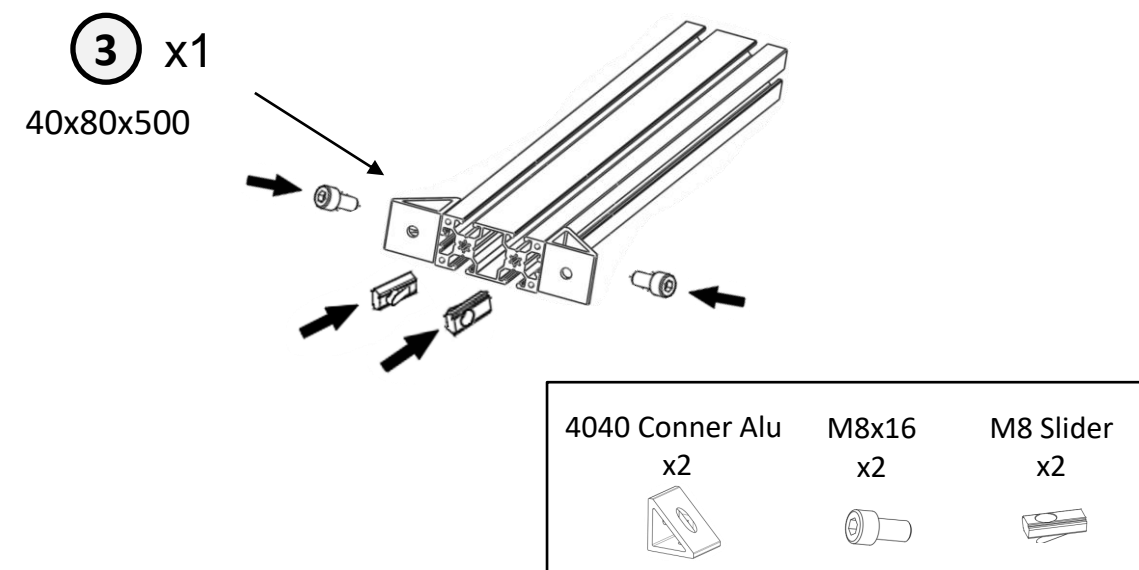
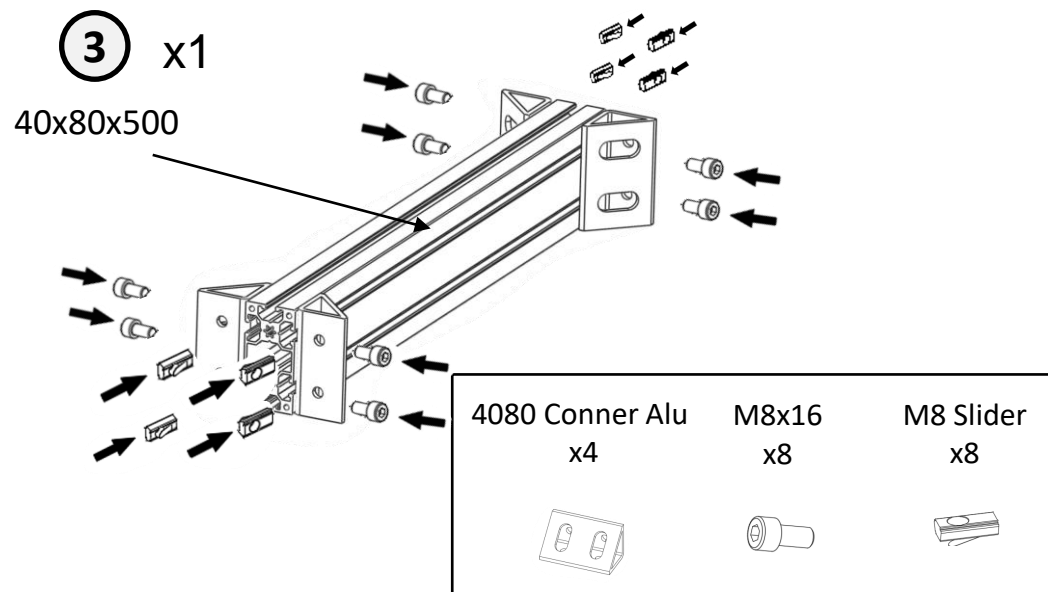
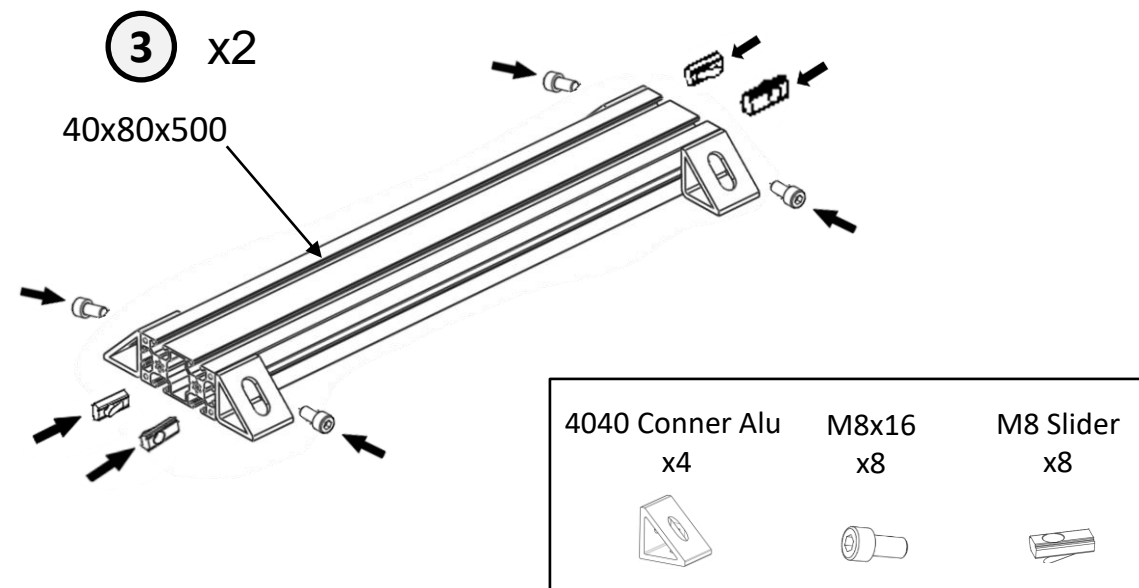
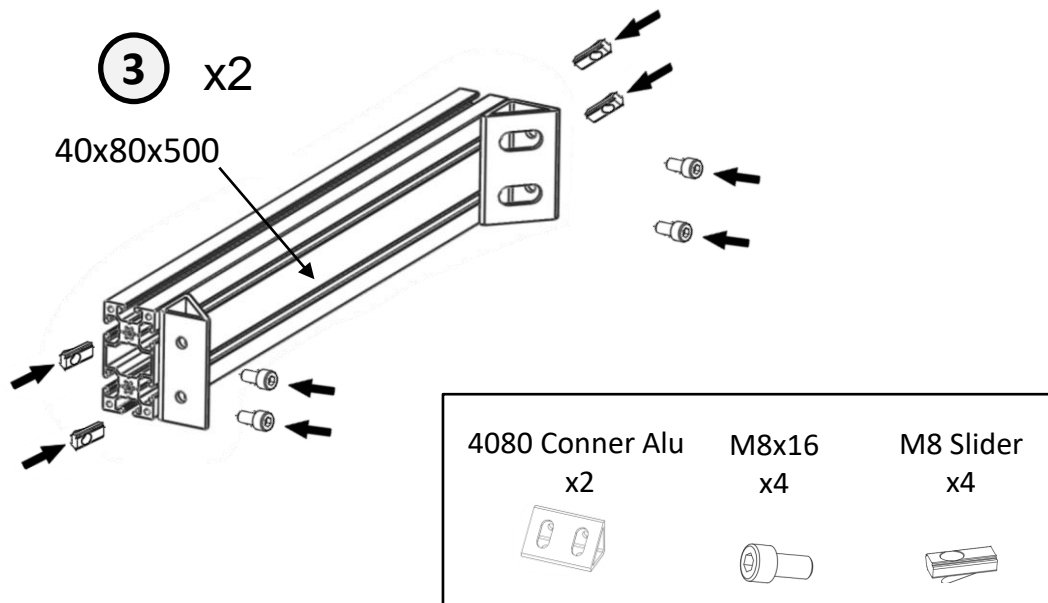


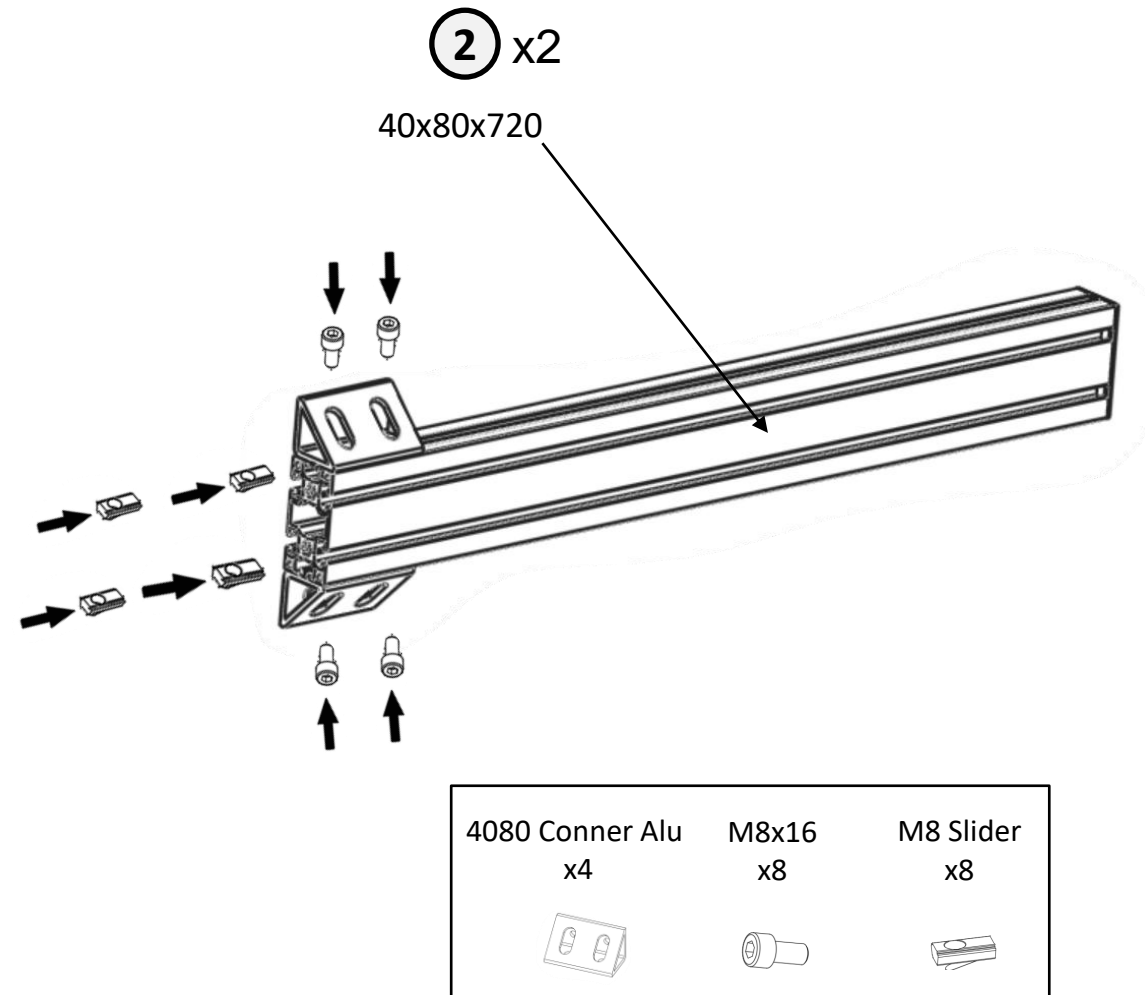
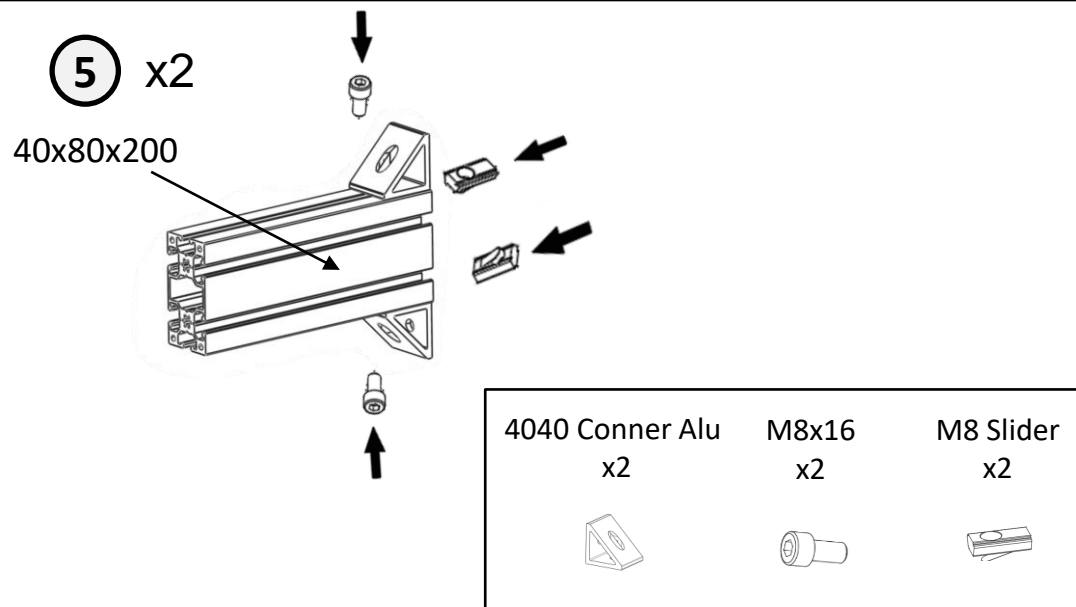
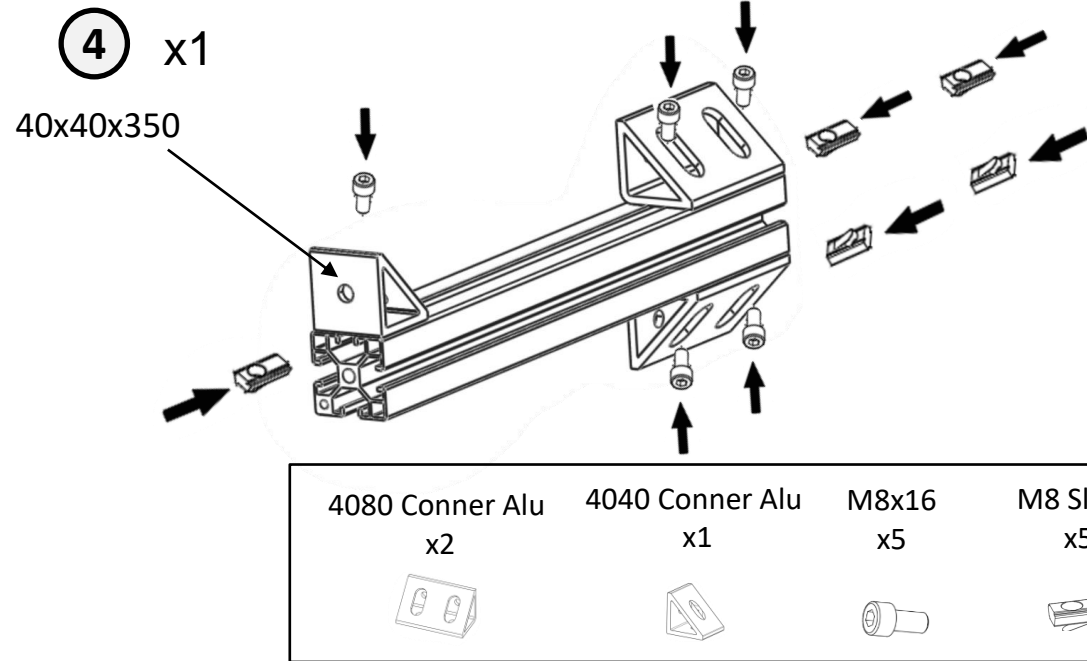
Method 1





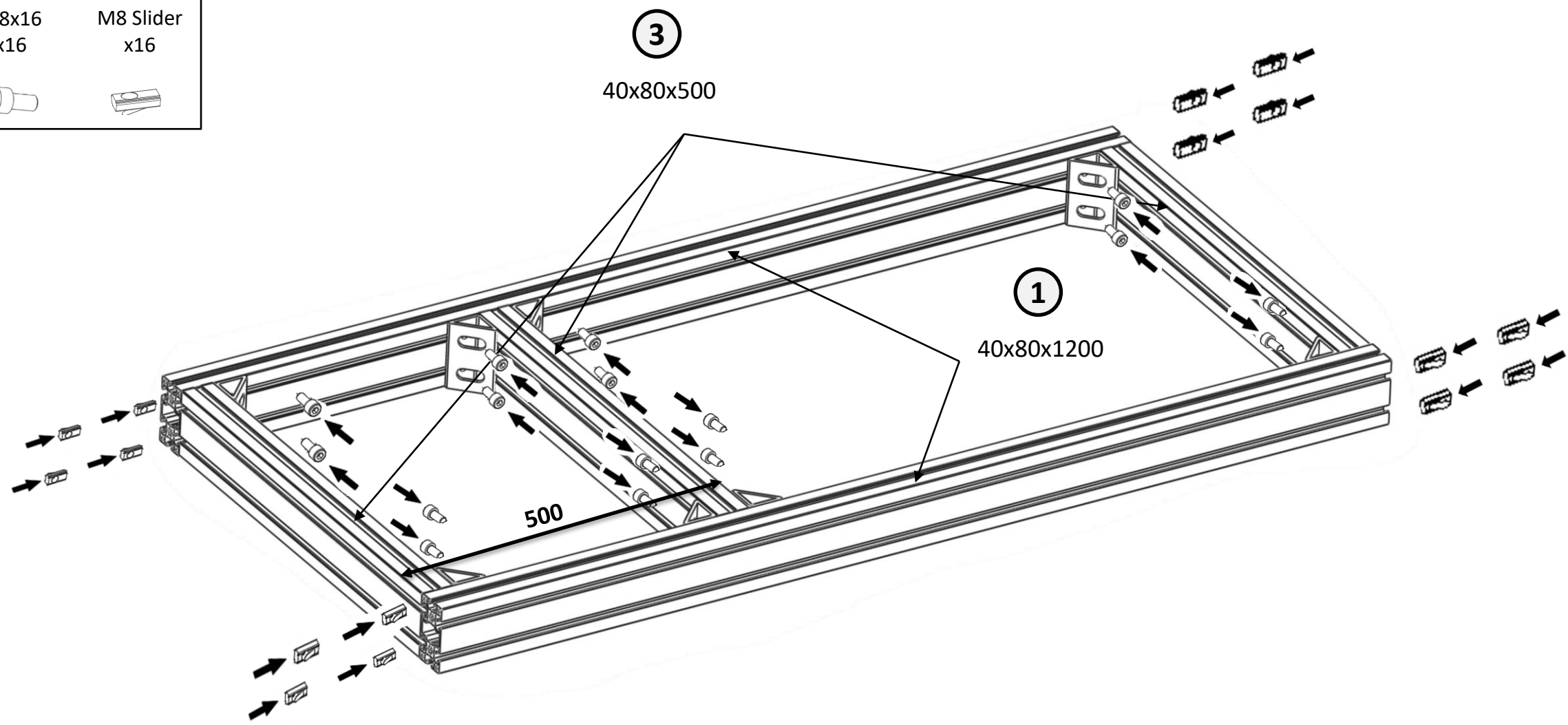
Method 2

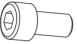



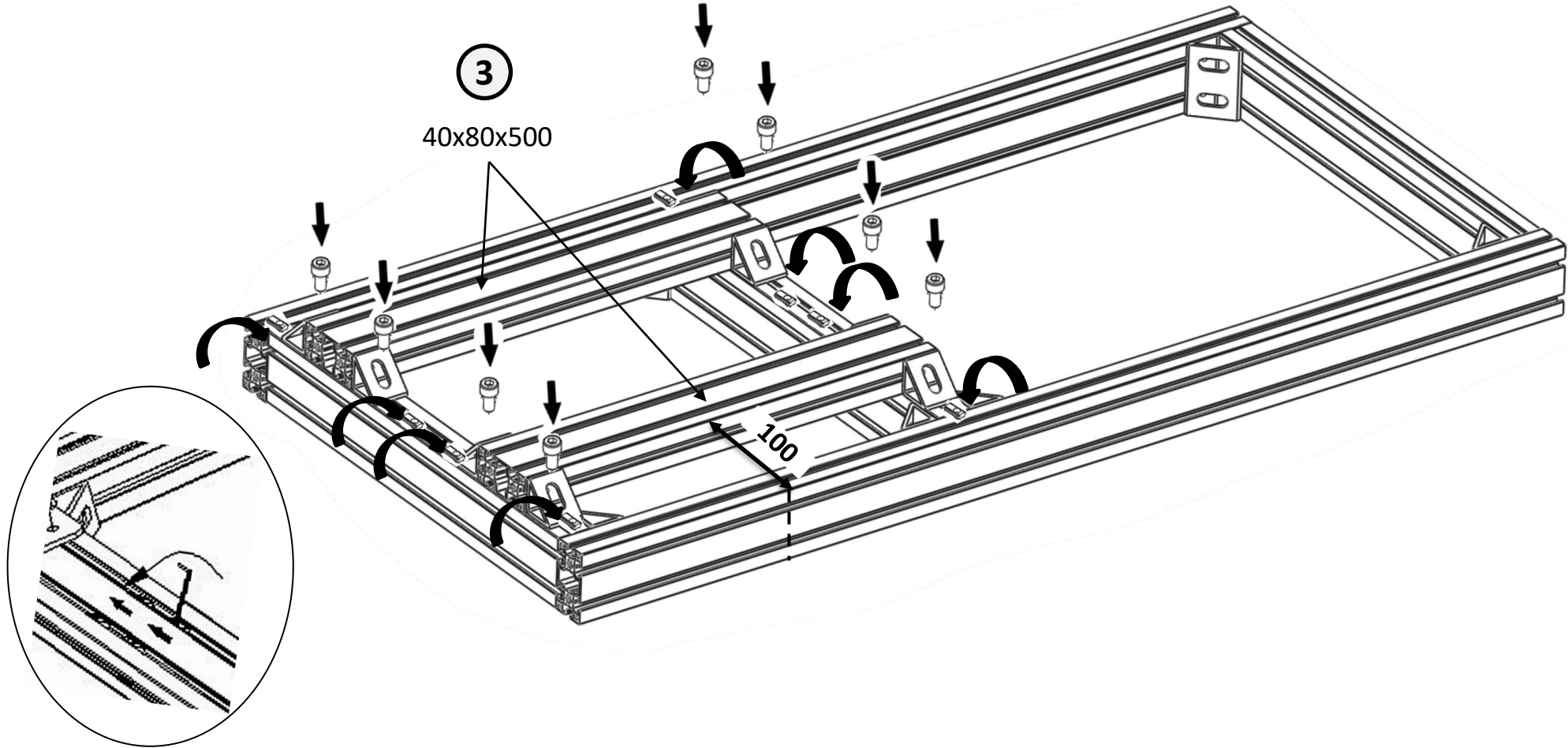


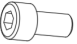



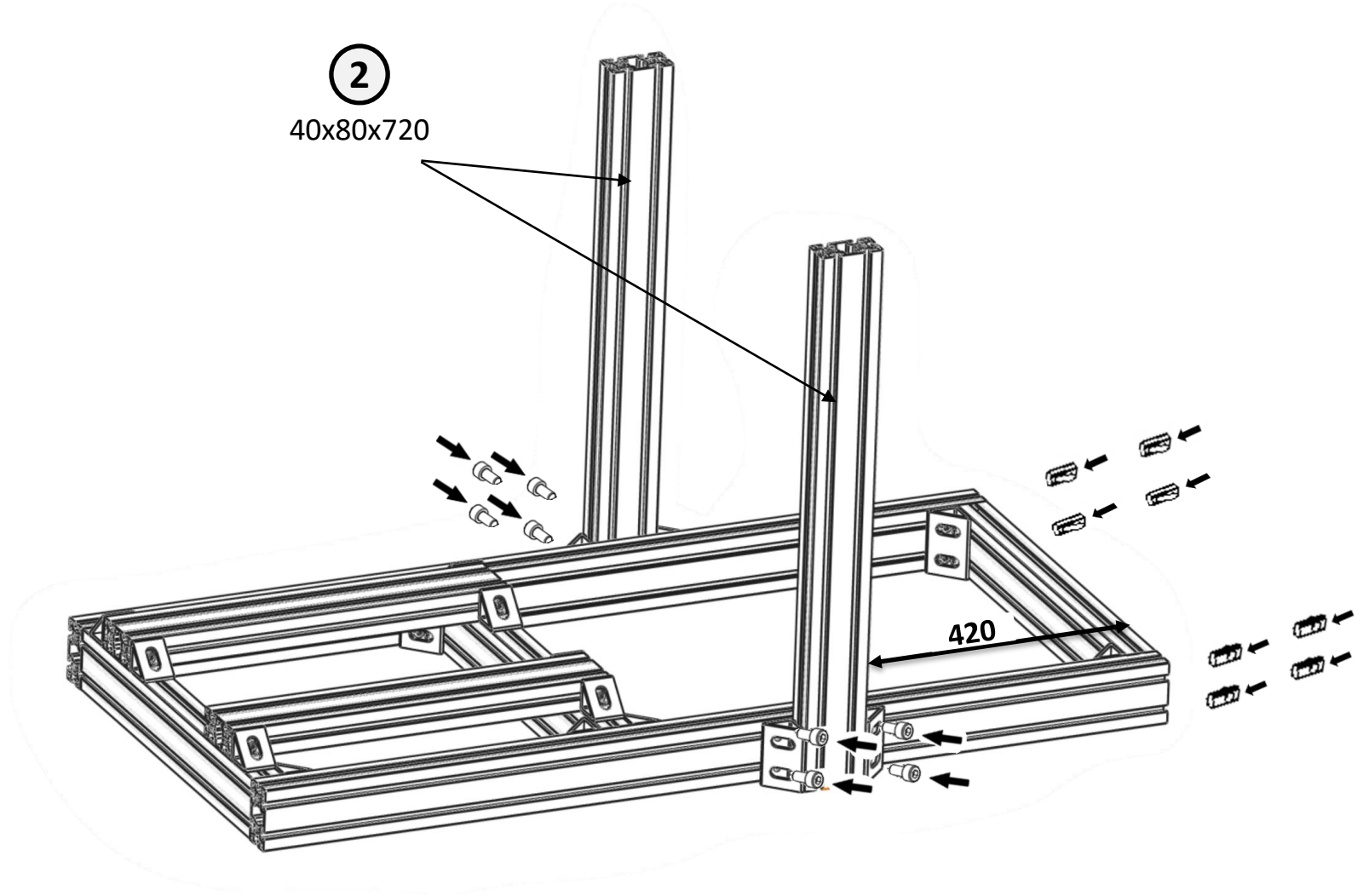
M8x16 x16	M8 Slider x16
	

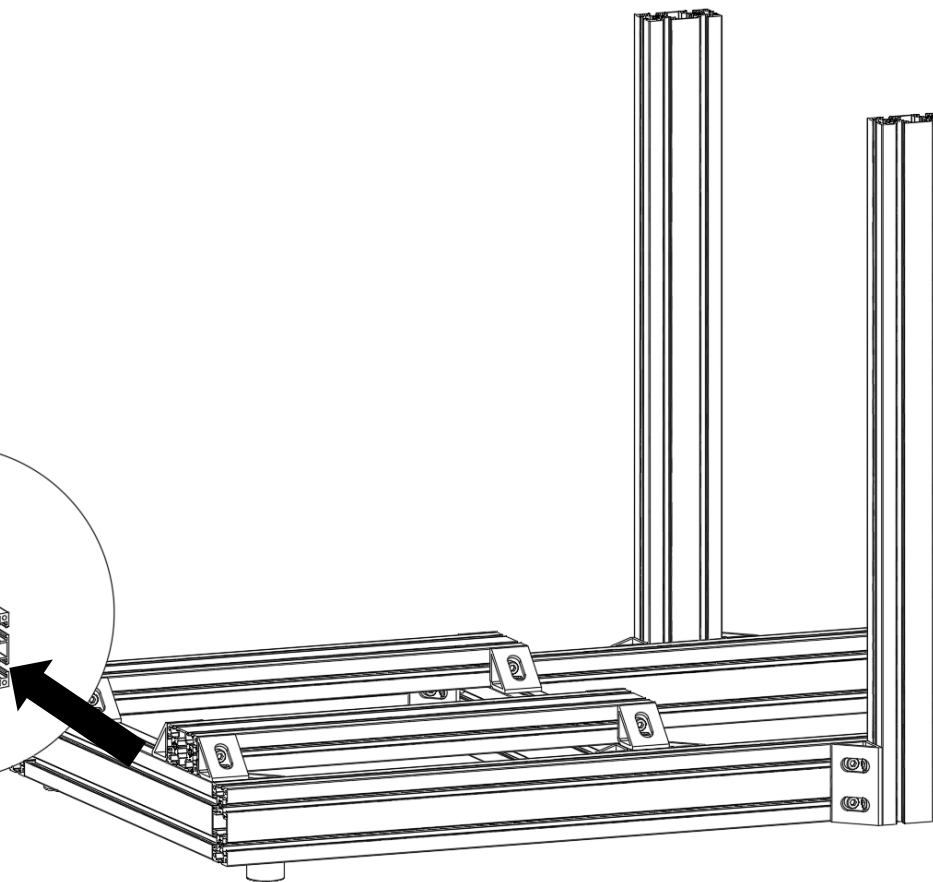
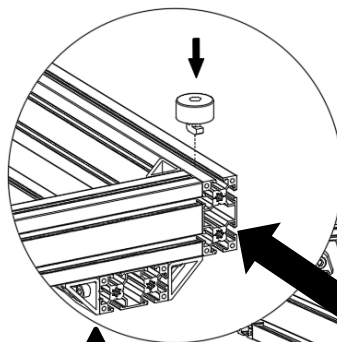
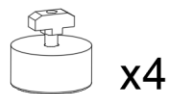
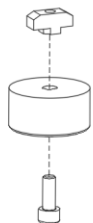
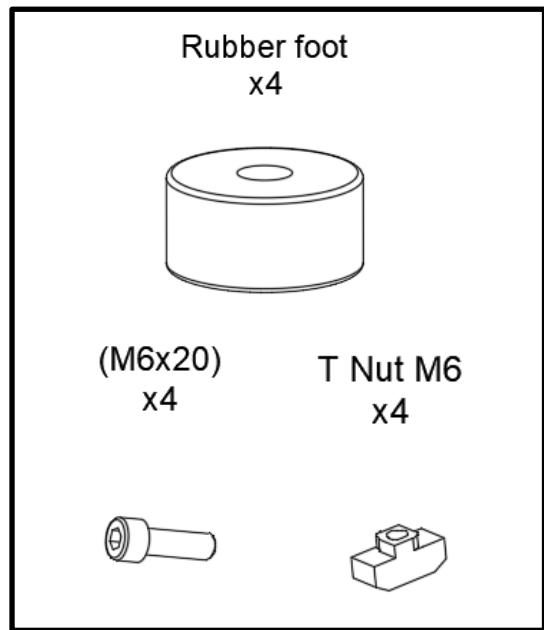


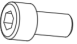

M8x16 x8	M8 Slider x8
	

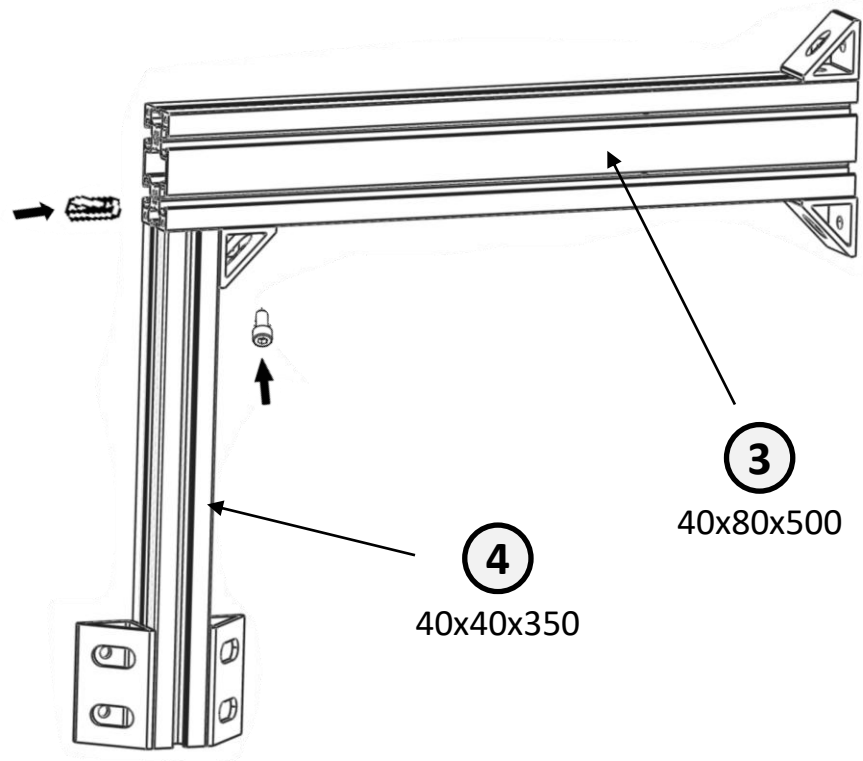


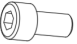

M8x16 x8	M8 Slider x8
	

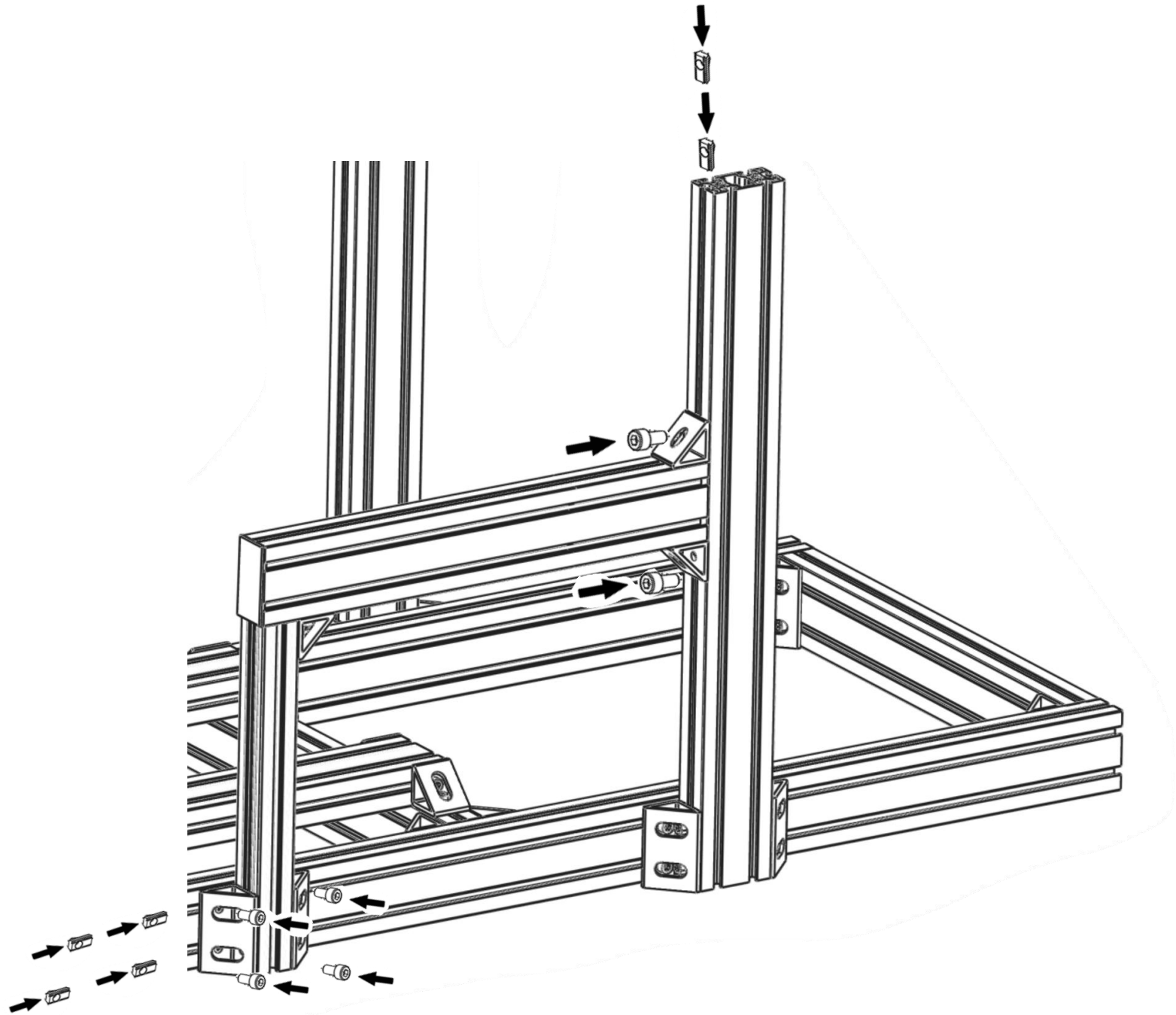


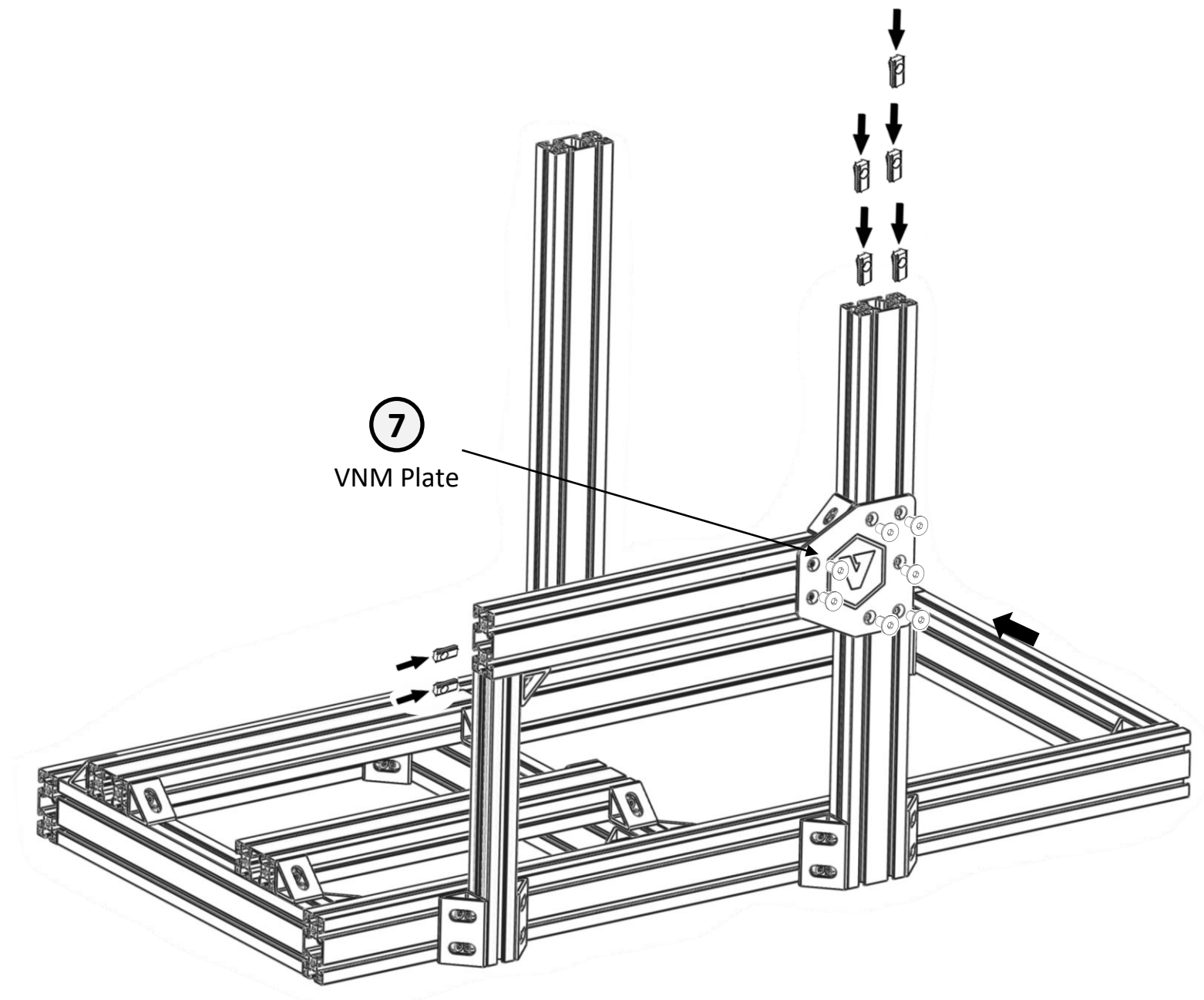
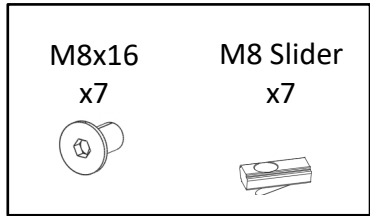



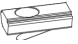

M8x16 x1	M8 Slider x1
	



M8x16 x6	M8 Slider x6
	

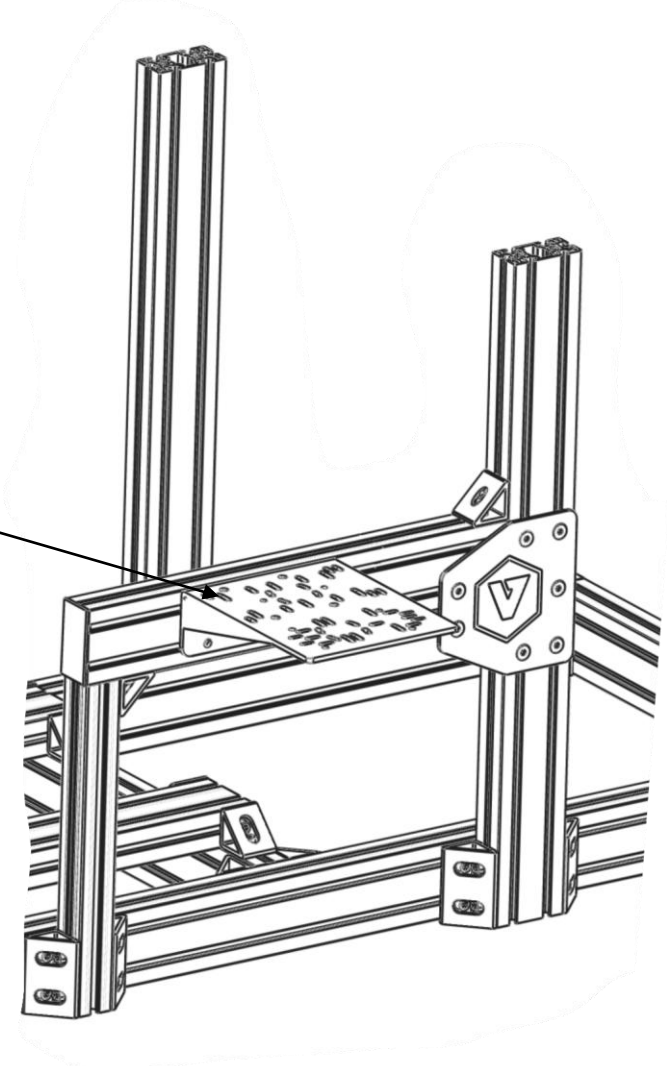
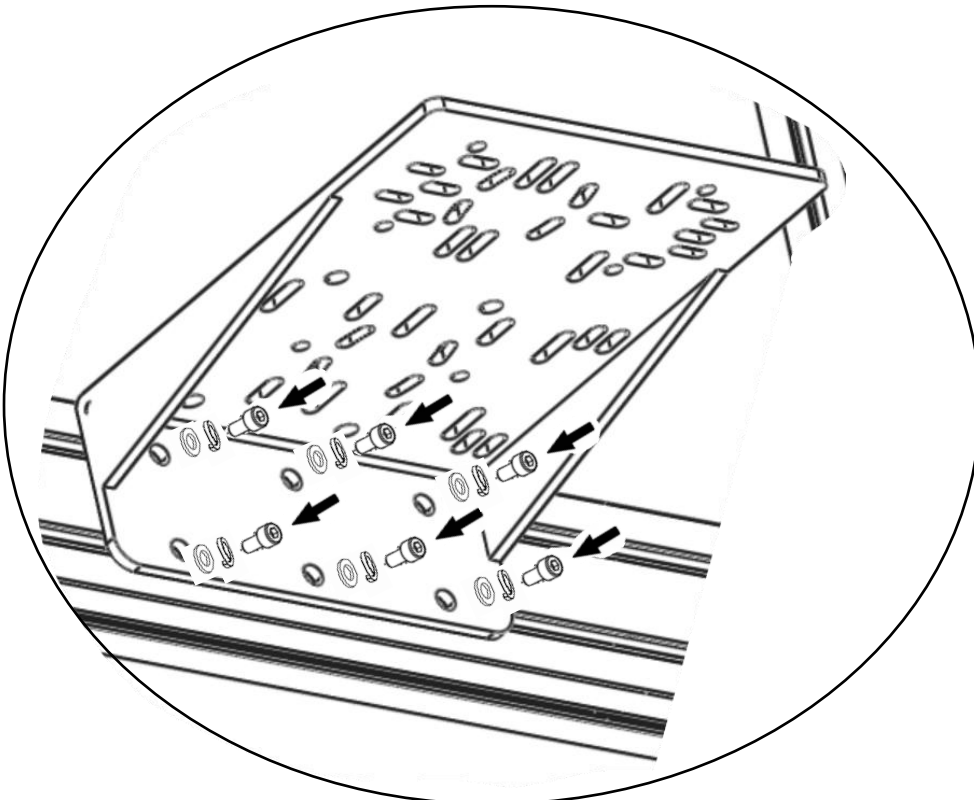




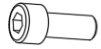
M8x16 x6	M8 Slider x6	Flat, Spring M8 x6
		

8

Handbrake Shifter
Bracket



(M8x20)
x8



(Spring 8)
x8



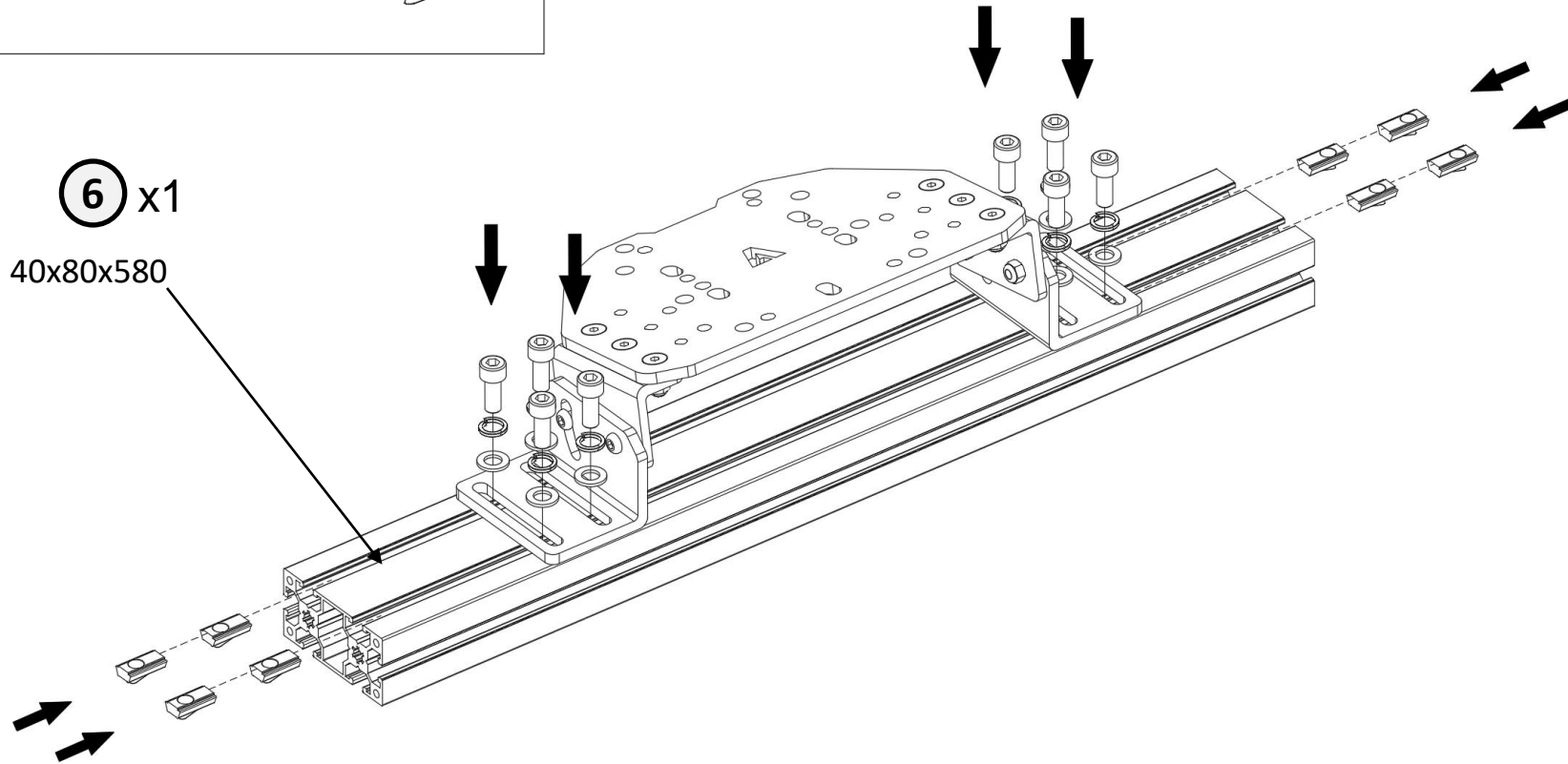
(Flat 8)
x8



(M8 Nut)
x8



⑥ x1
40x80x580



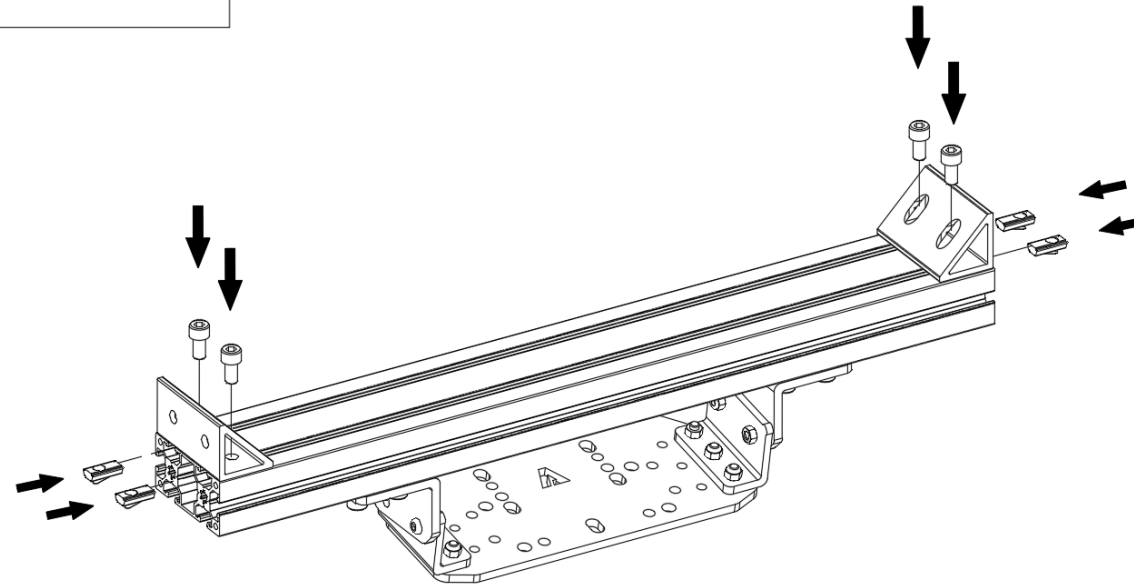
(4080 Alu Corner)
x2


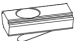


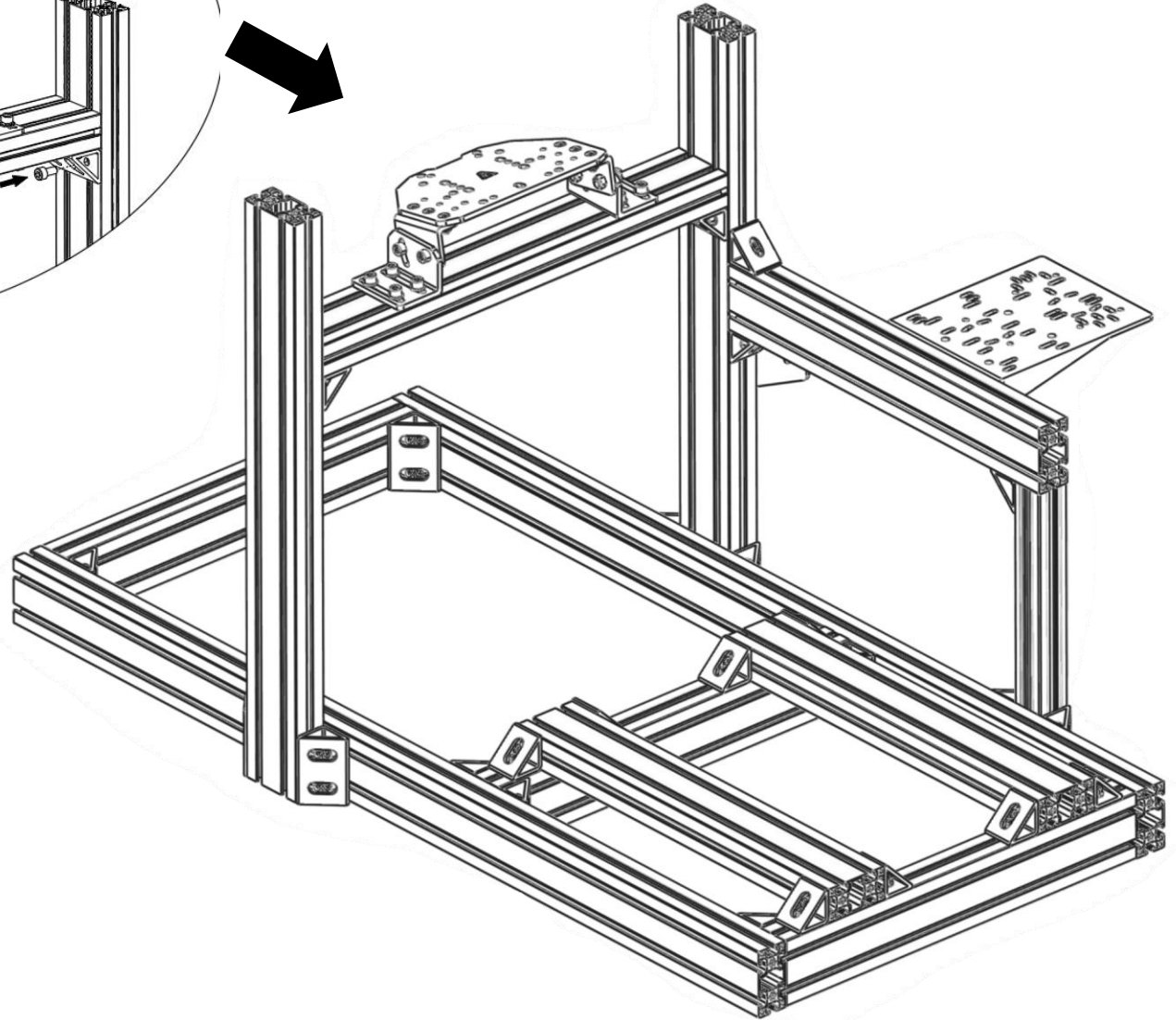
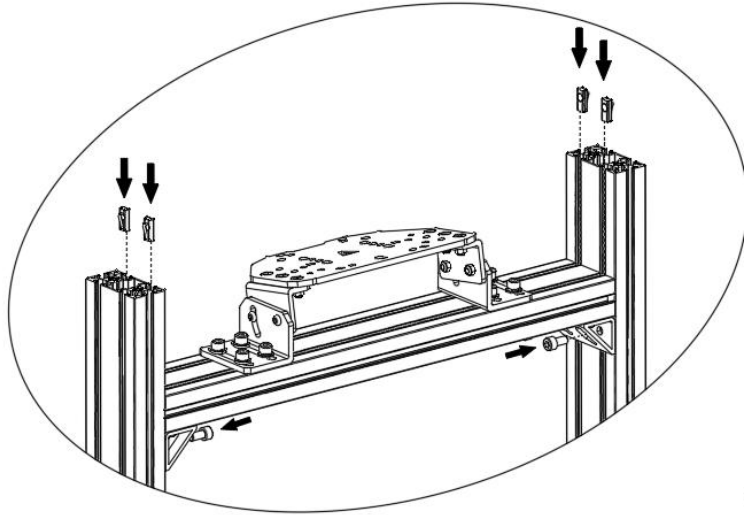
(M8x16)
x4

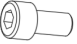



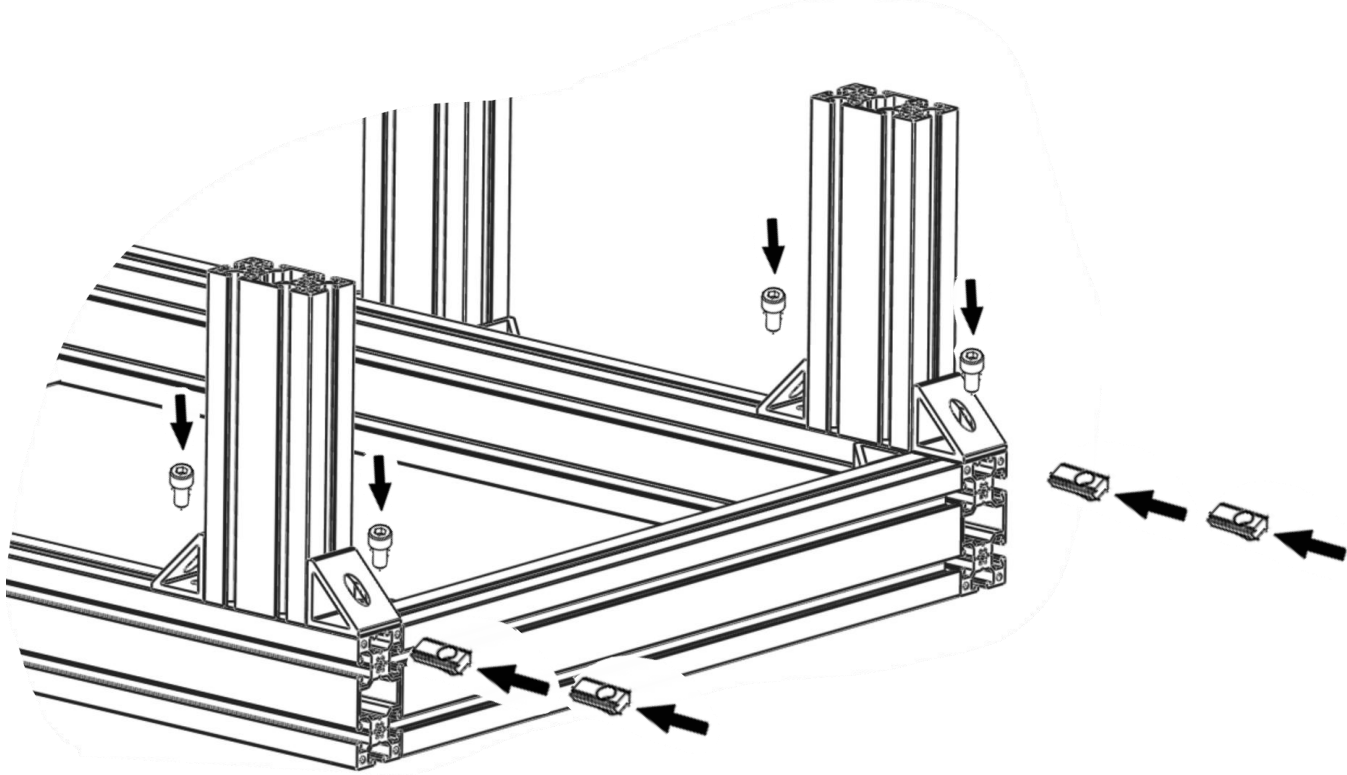
(M8 Nut)
x4

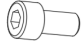

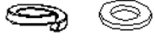


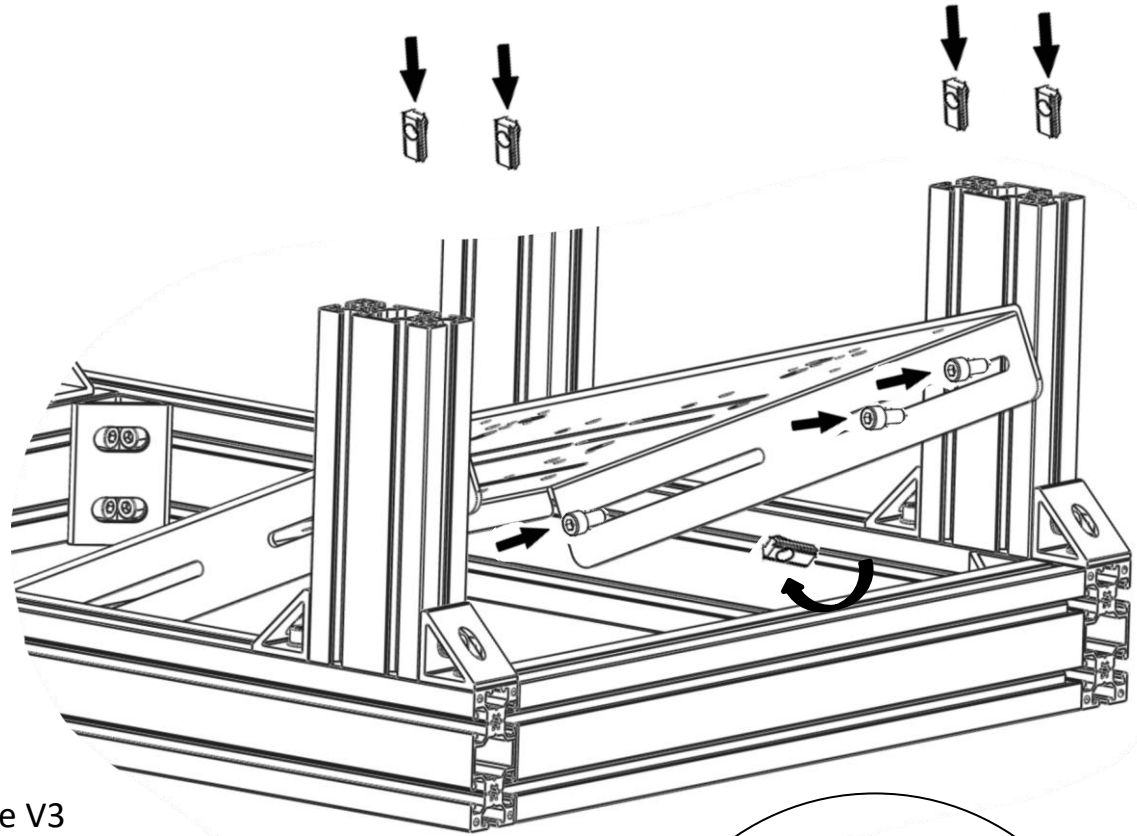
M8x16 x4	M8 Slider x4
	



M8x16 x4	M8 Slider x4
	

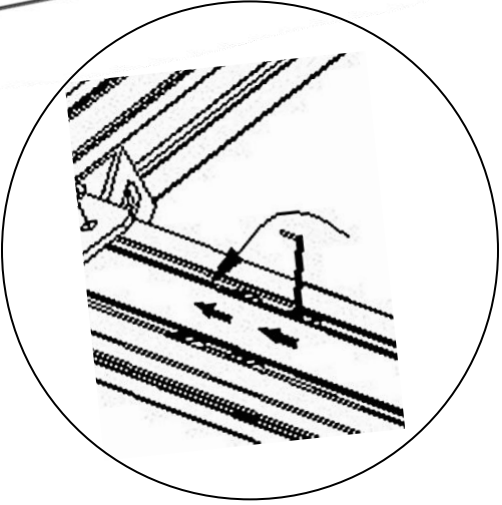


M8x16 x6	M8 Slider x6	Flat, Spring M8 x6
		



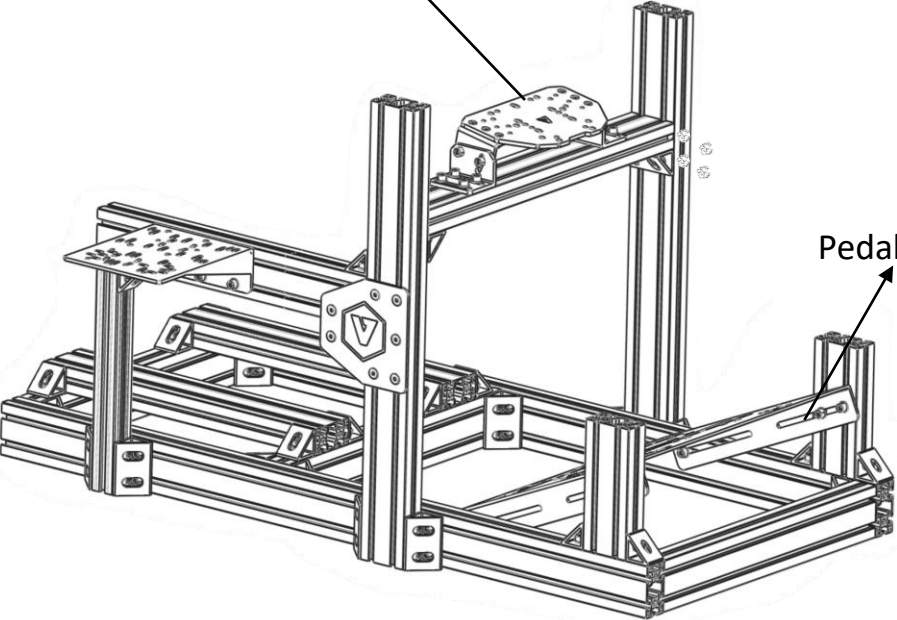
9

Pedal base plate V3

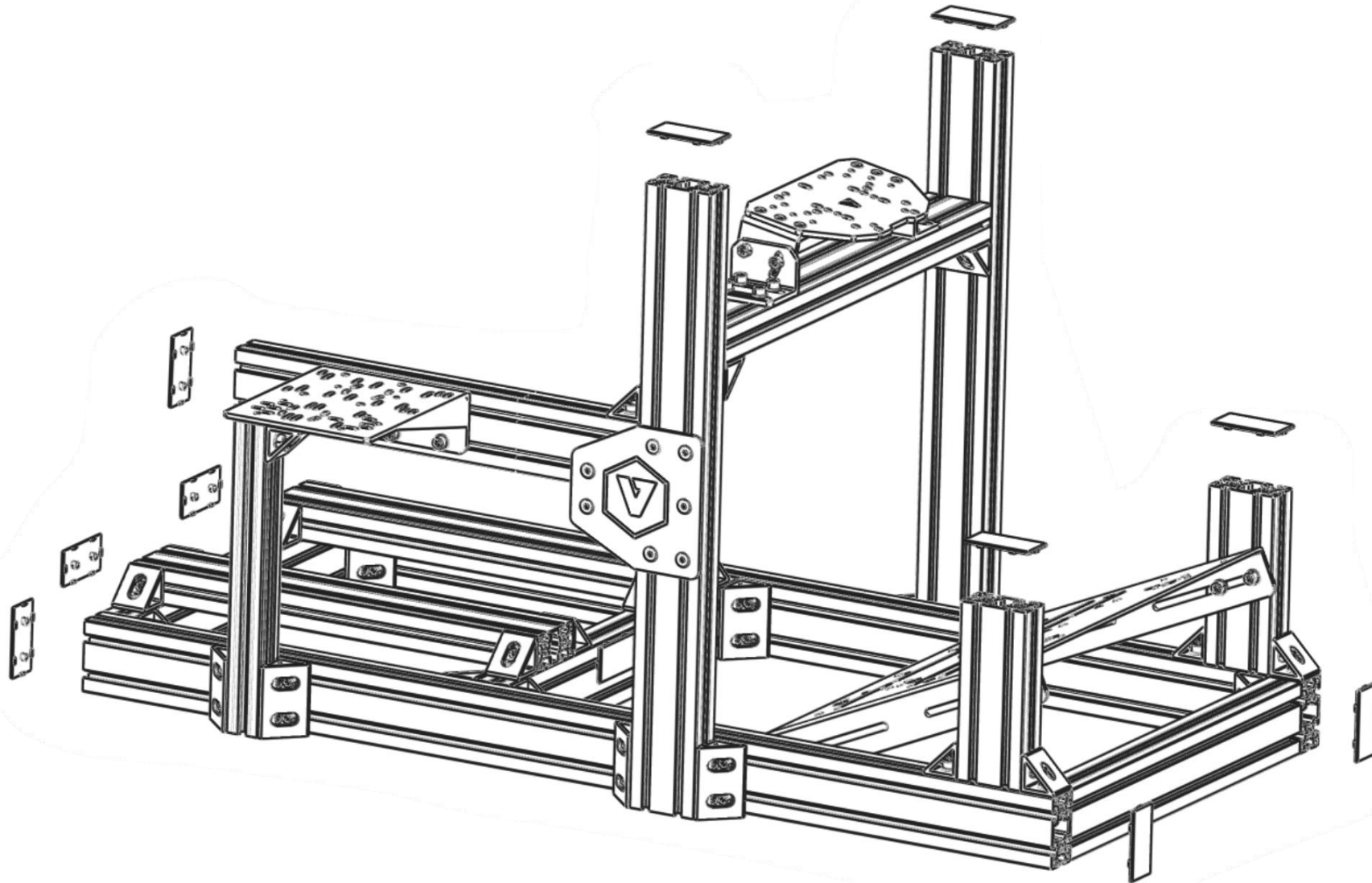


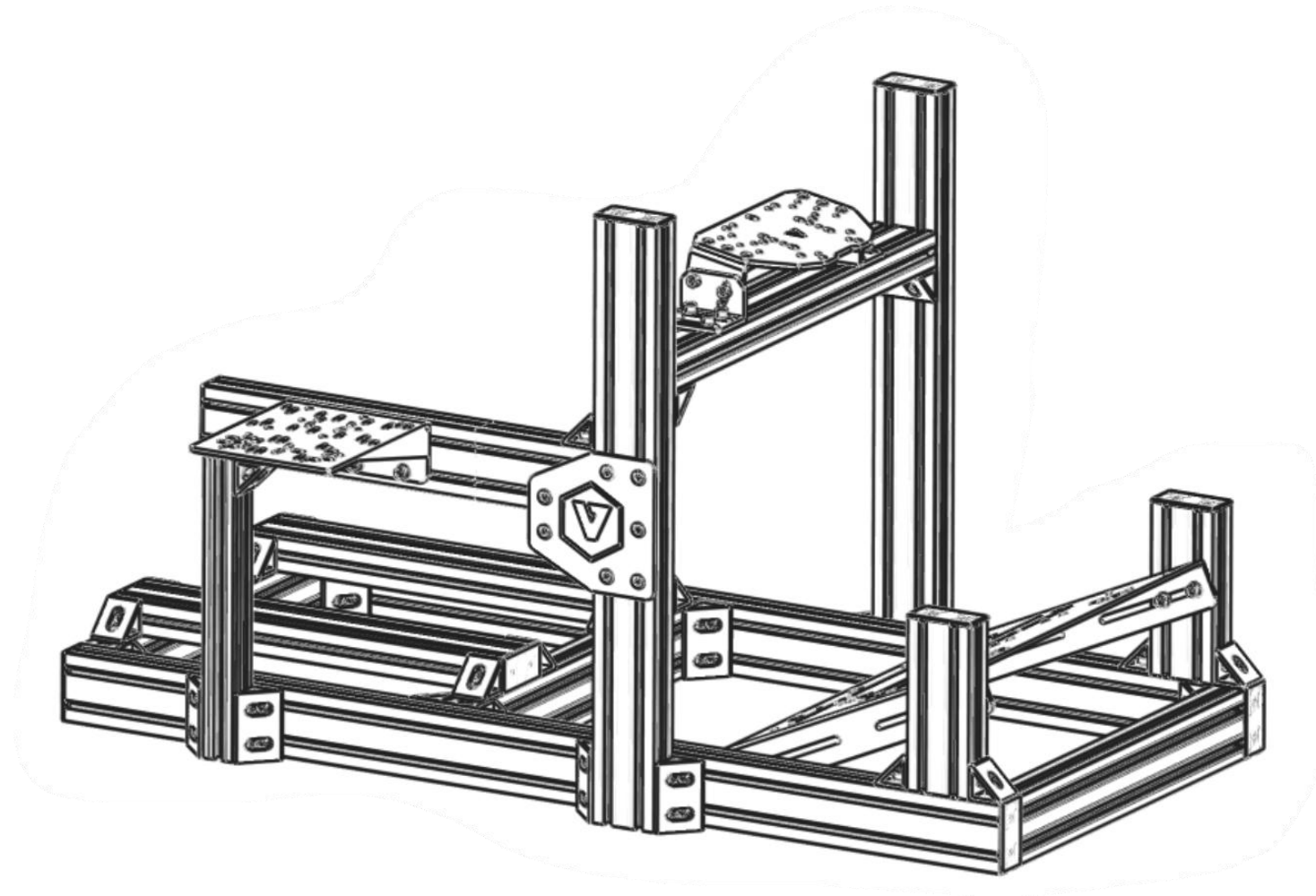
10

Wheel Base Mount V2



Alu cover
x13





*“Congratulations on completing your rig assembly.
If you have any questions or encounter any problems, please contact us for support!”*