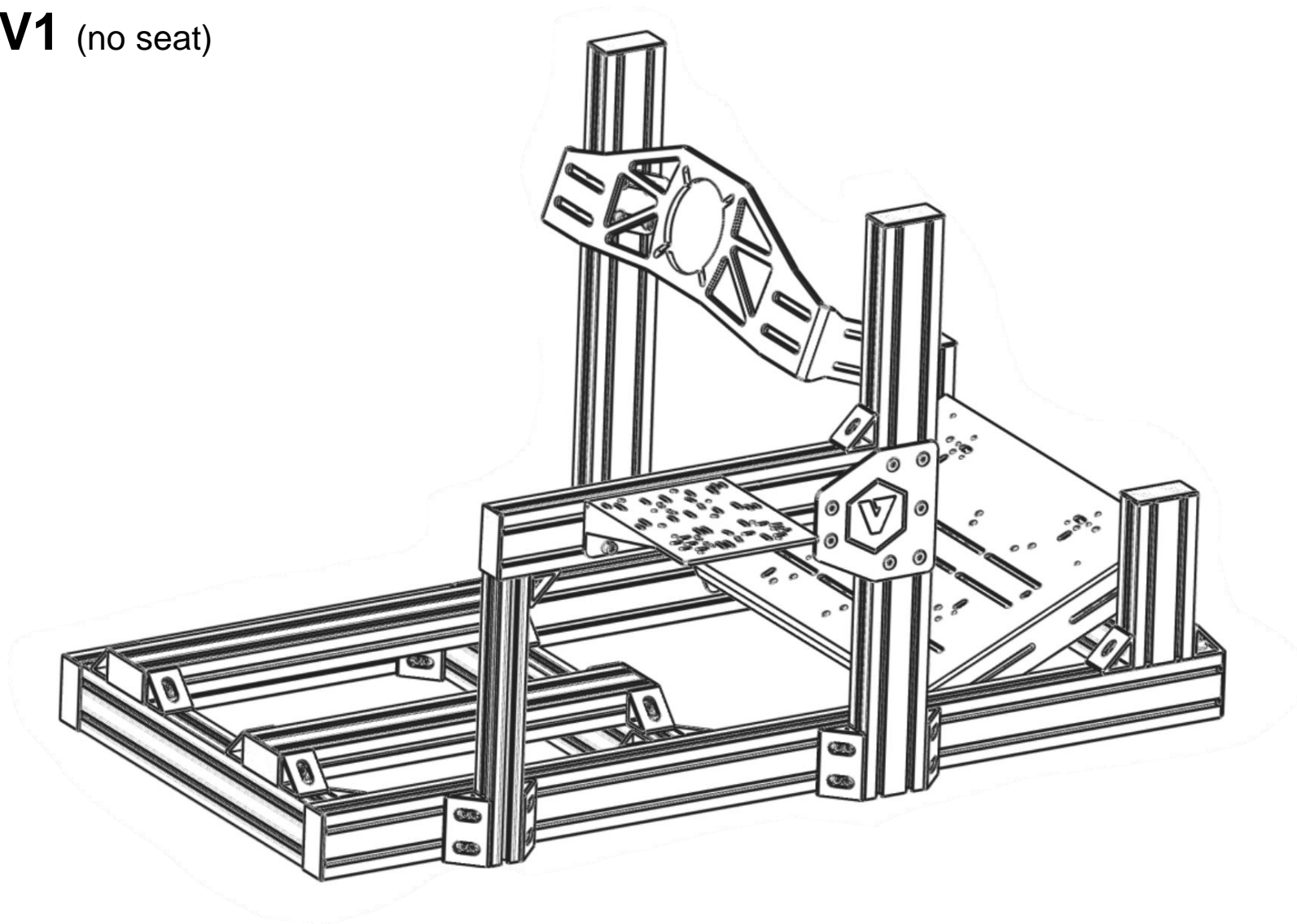


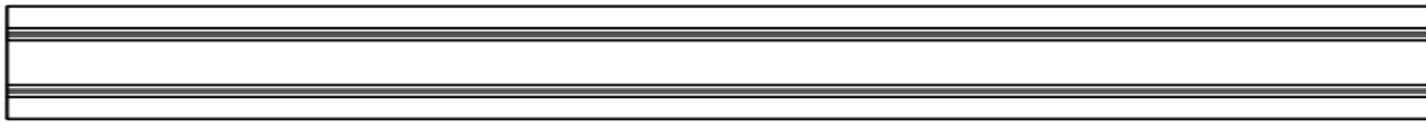


Installation guide

VNM Rig V1 (no seat)



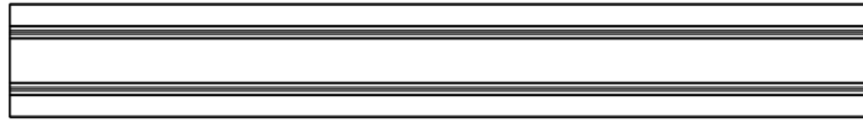
1 40x80x1200
x2



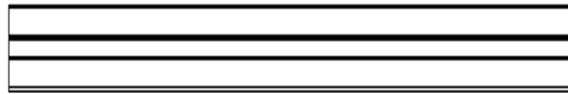
2 40x80x720
x2



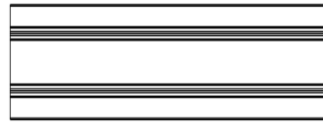
3 40x80x500
x6



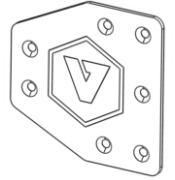
4 40x40x350
x1



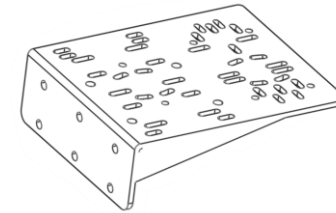
5 40x80x200
x2



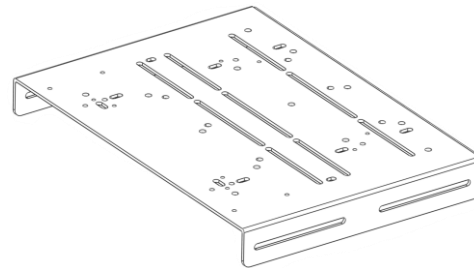
6 VNM Plate
x1



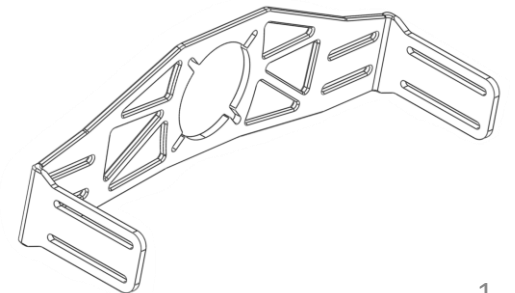
7 Handbrake
Shifter Bracket
x1



8 Pedal base plate V3
x1



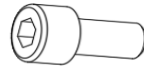
9 Wheel base mount V1
x1



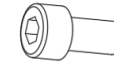
Flat, Spring M8
x34



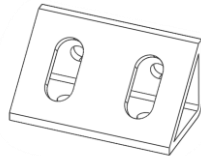
M8x20
x8



M8x16
x92



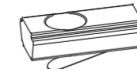
4080 Conner Alu
x14



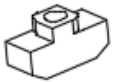
M8x16
x7



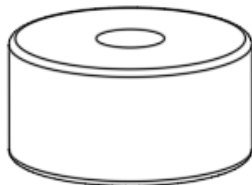
M8 Slider
x114



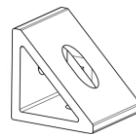
T Nut M6
x4



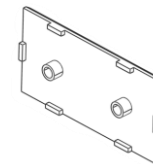
Rubber foot
x4



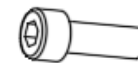
4040 Conner Alu
x15



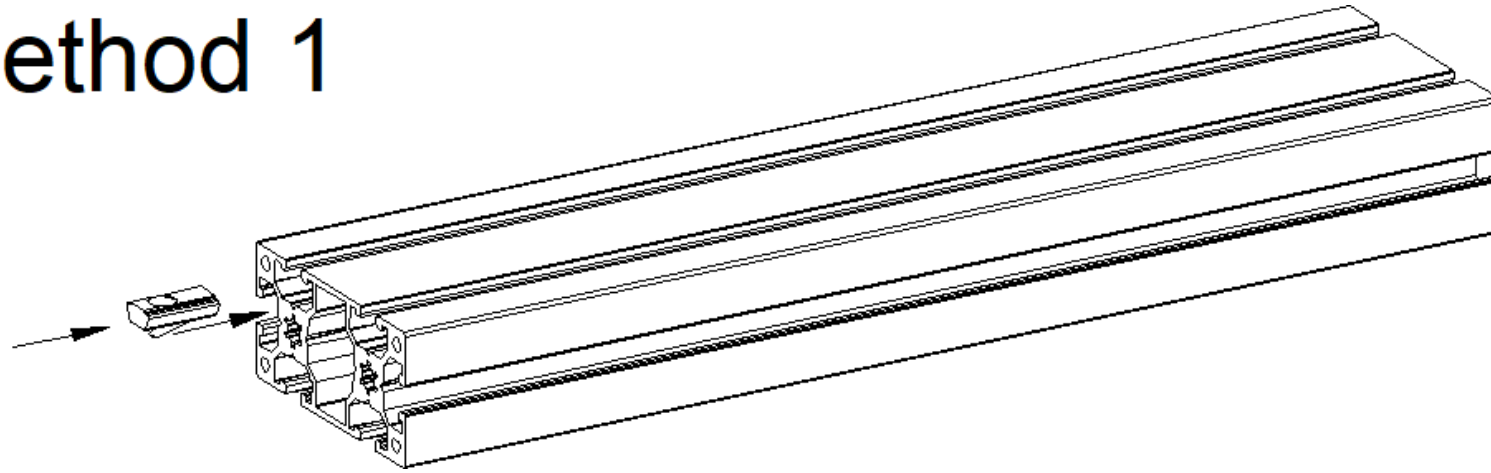
Alu Cover
x13



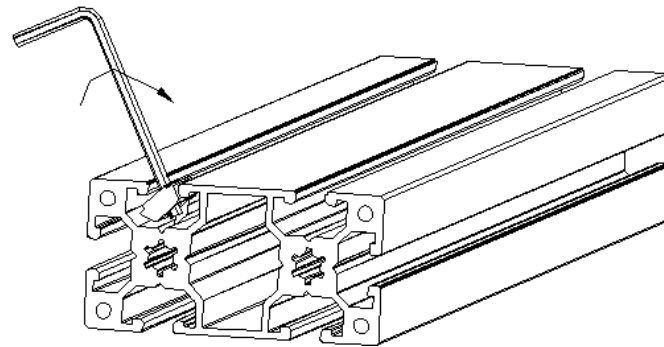
(M6x20)
x4

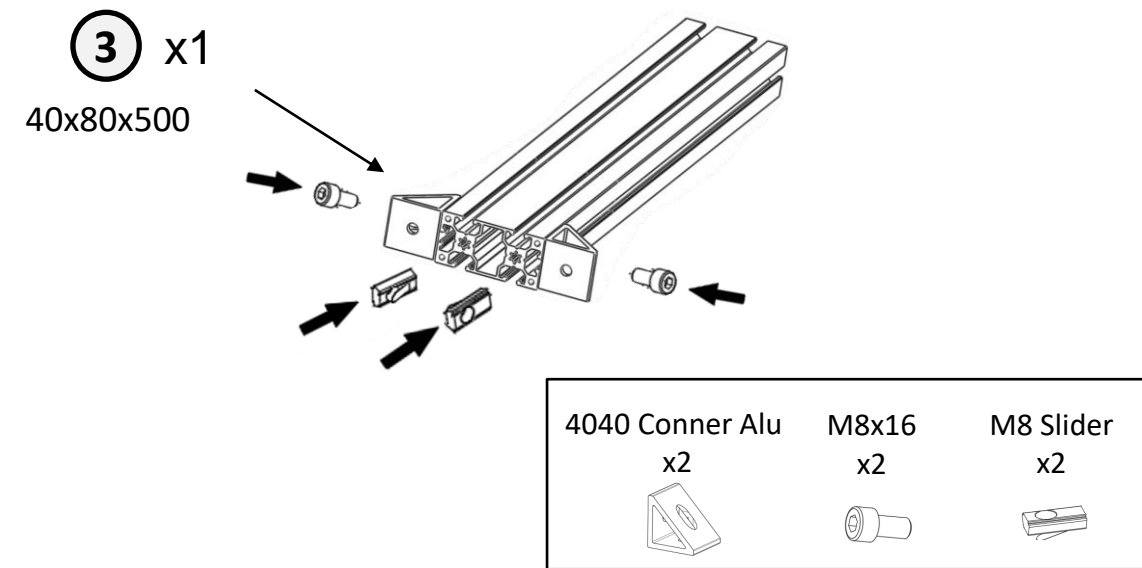
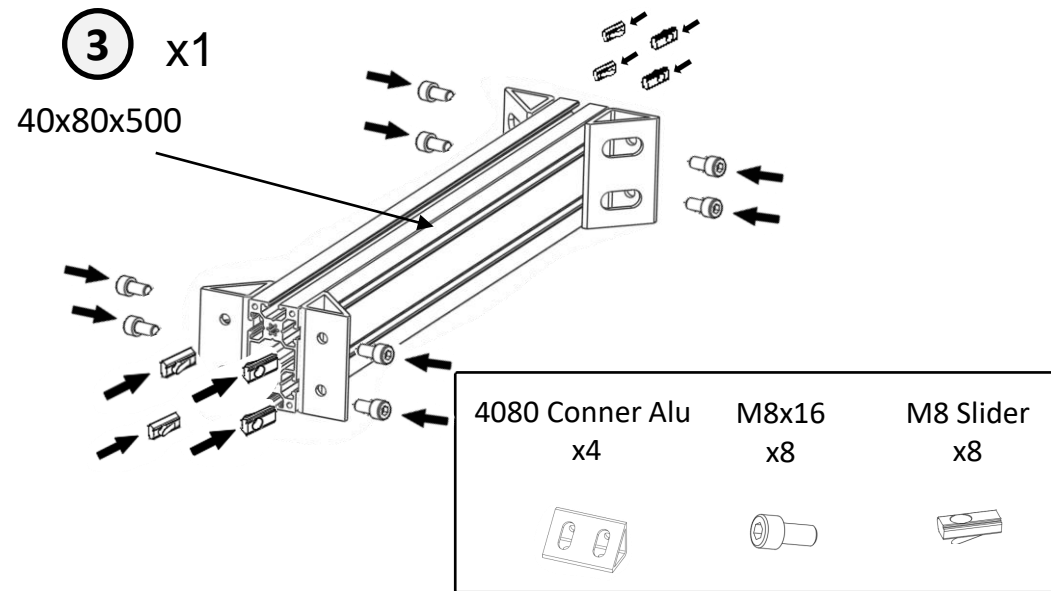
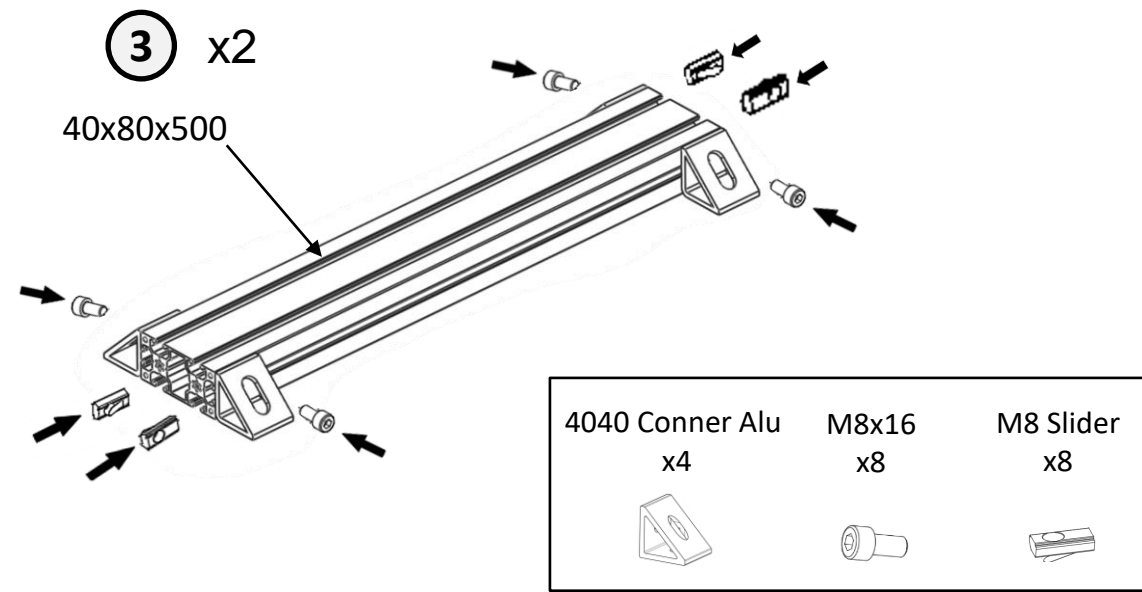
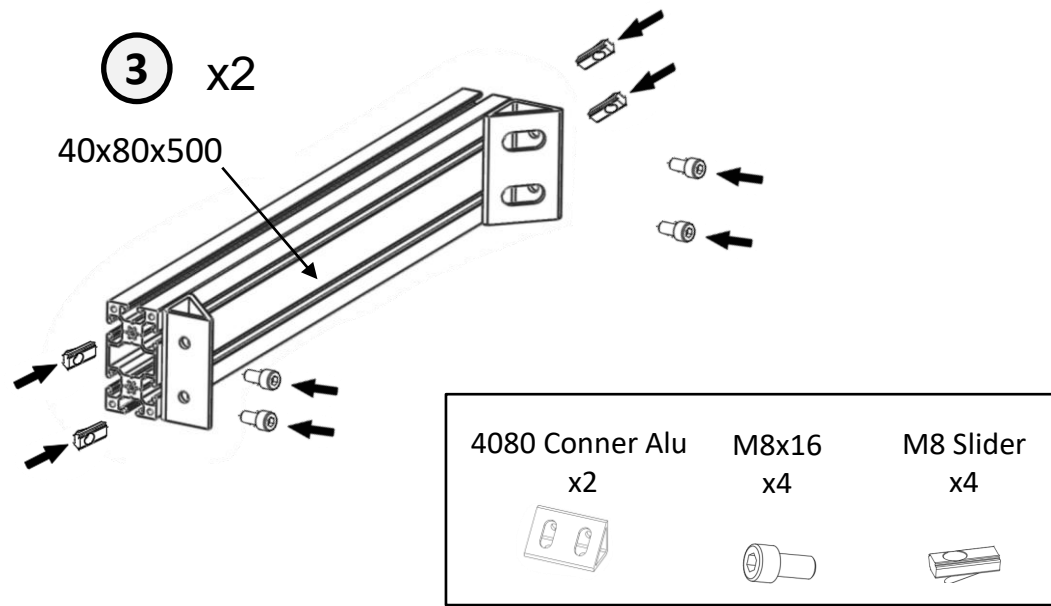


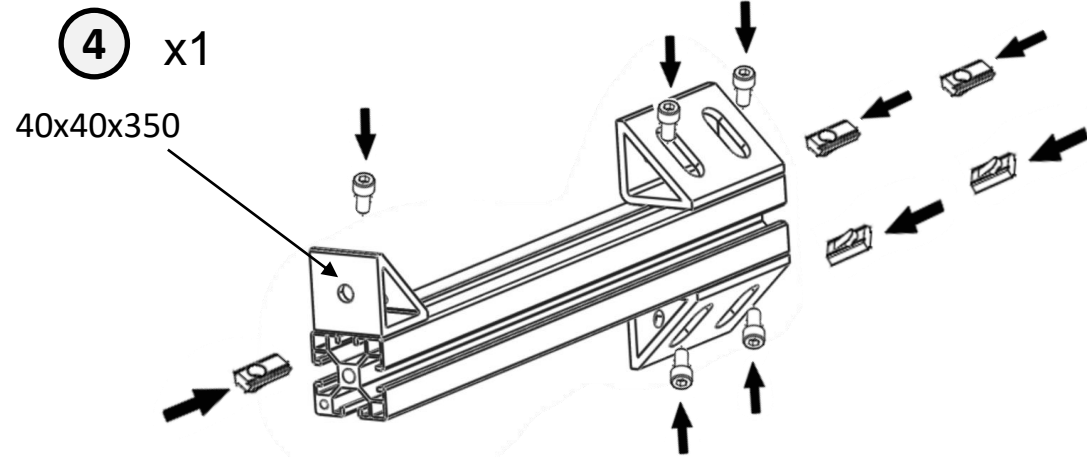
Method 1



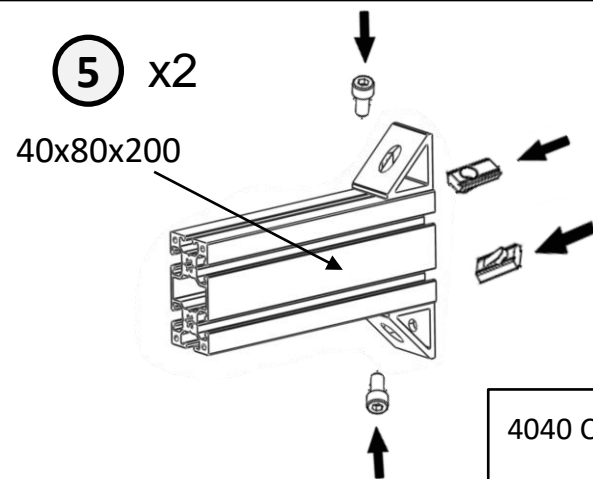
Method 2



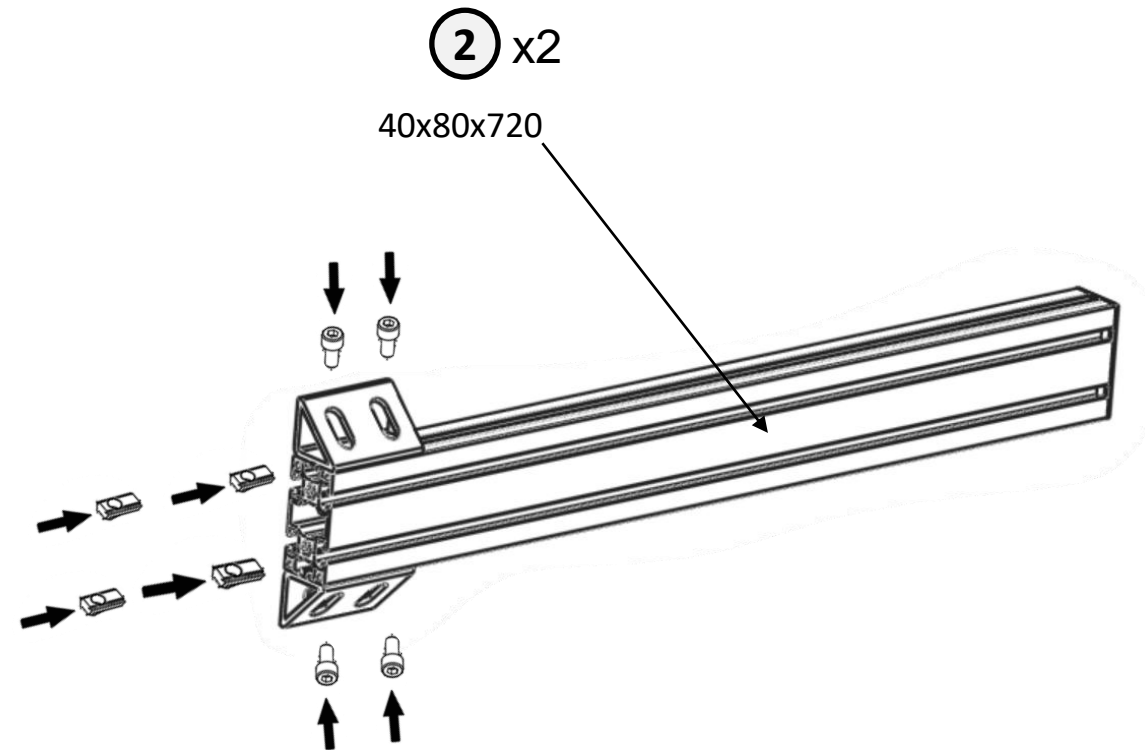




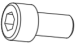

4080 Conner Alu x2	4040 Conner Alu x1	M8x16 x5	M8 Slider x5

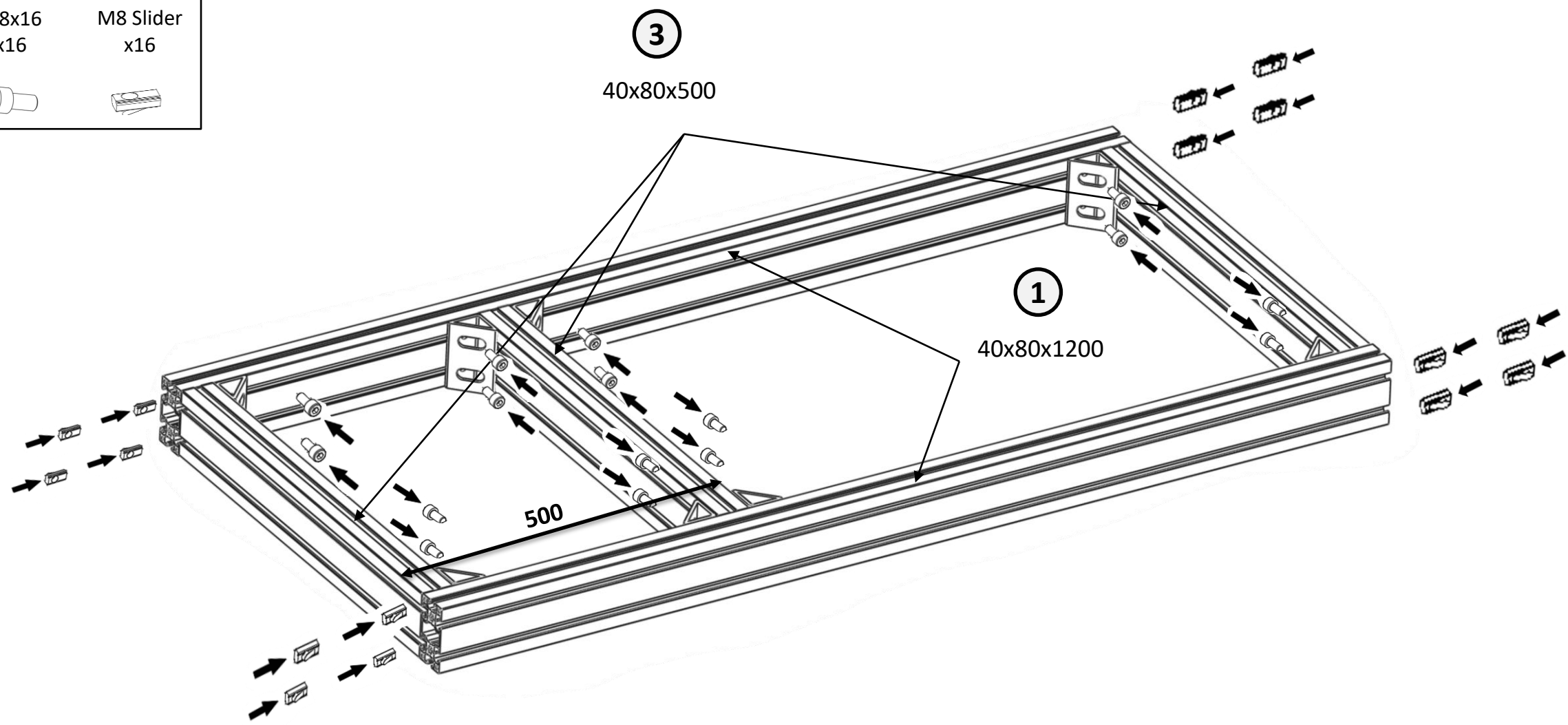


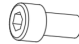

4040 Conner Alu x2	M8x16 x2	M8 Slider x2

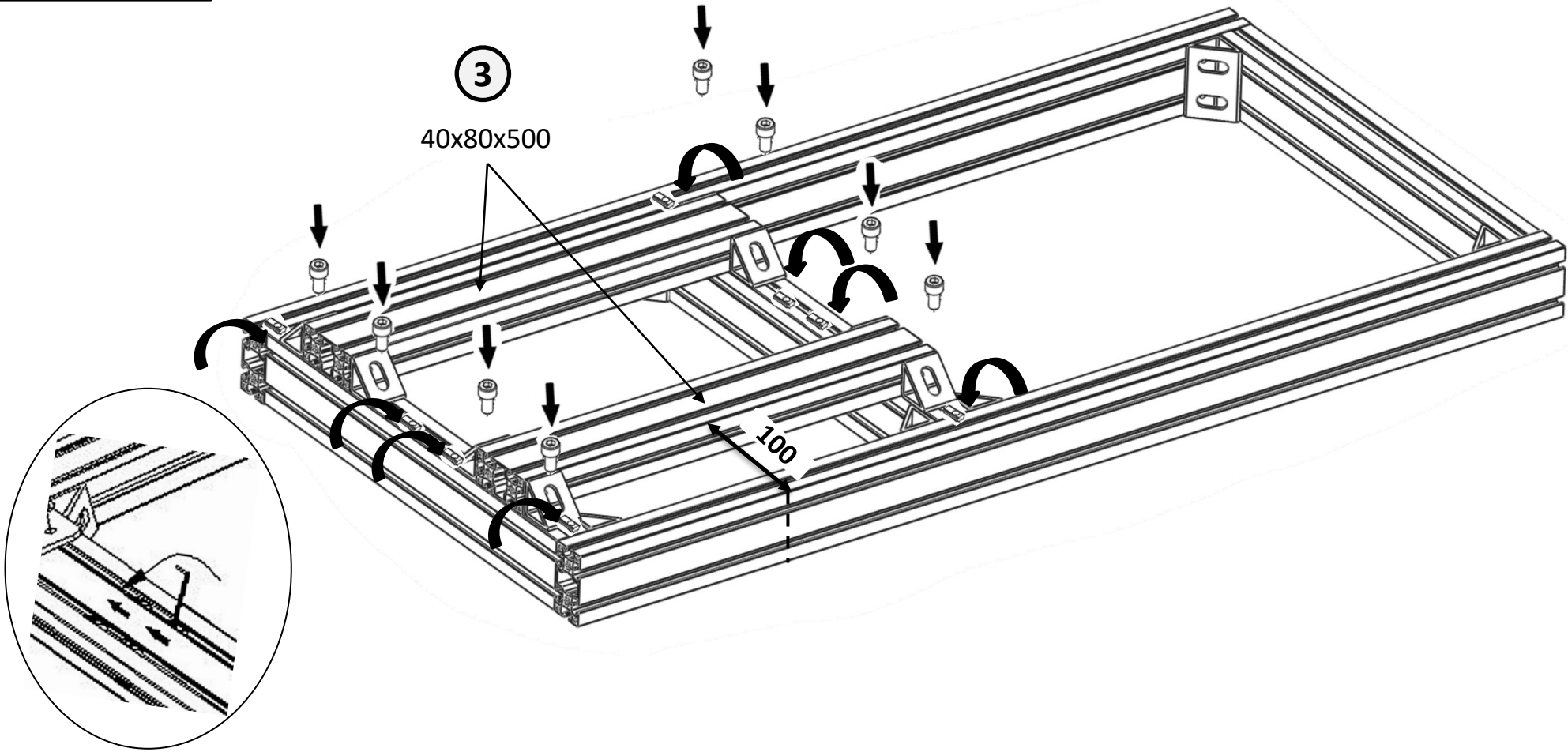


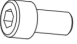

4080 Conner Alu x4	M8x16 x8	M8 Slider x8

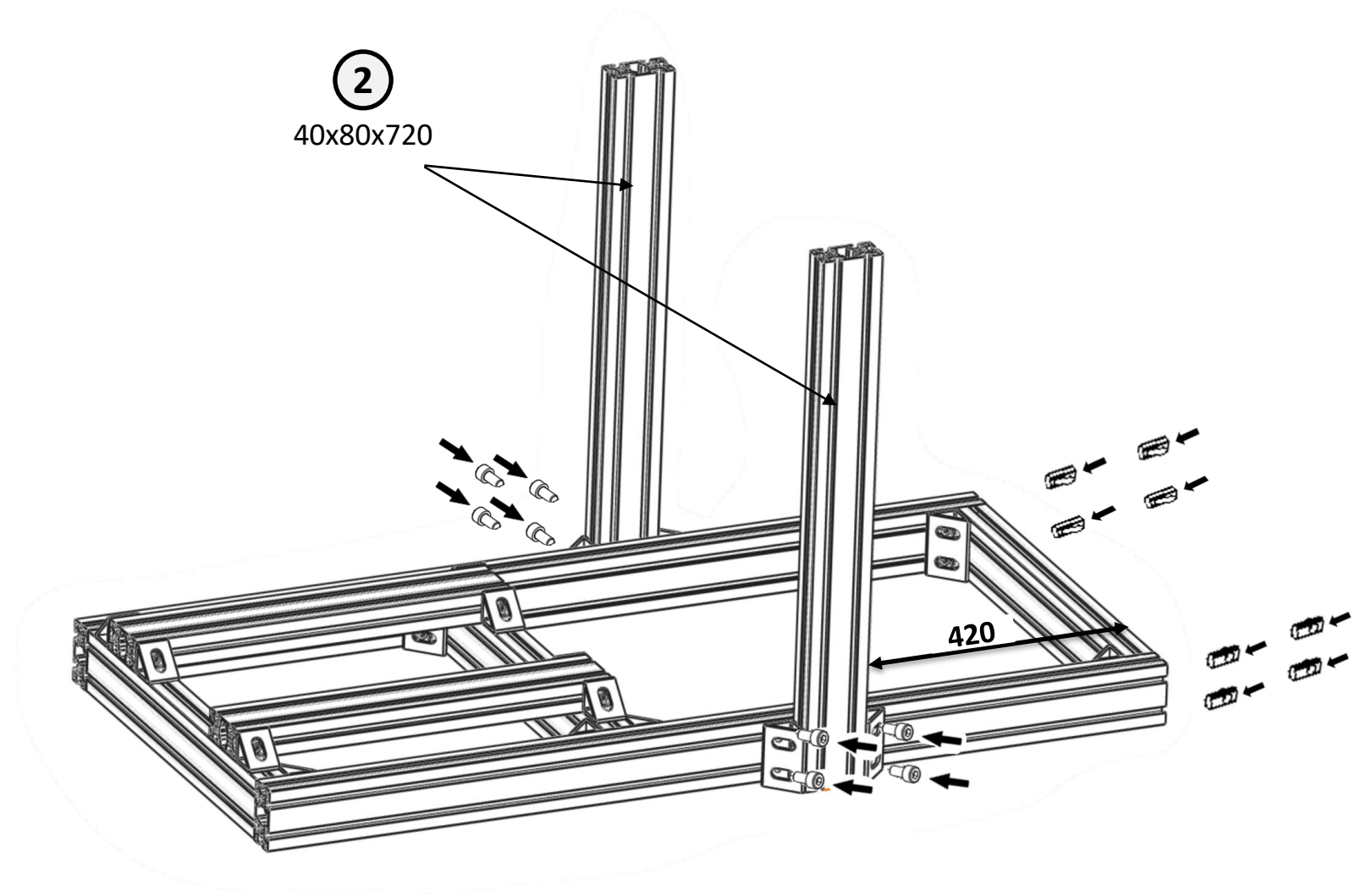
M8x16 x16	M8 Slider x16
	

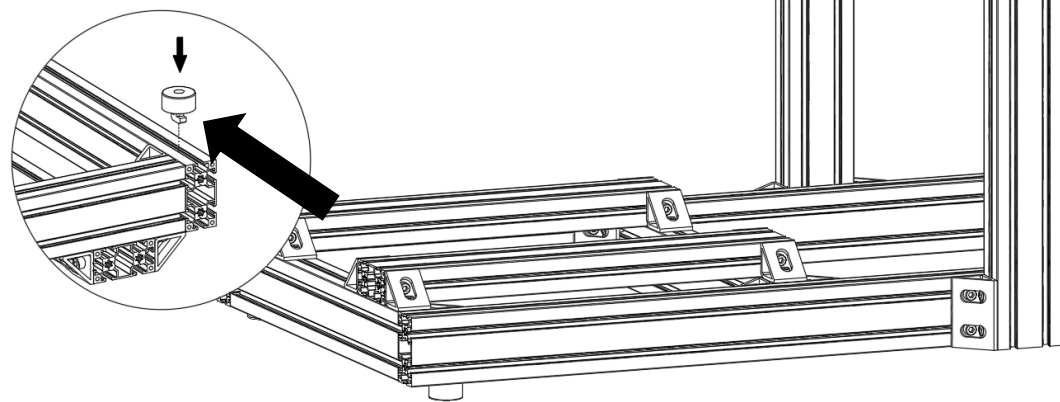
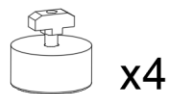
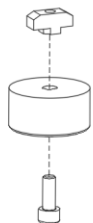
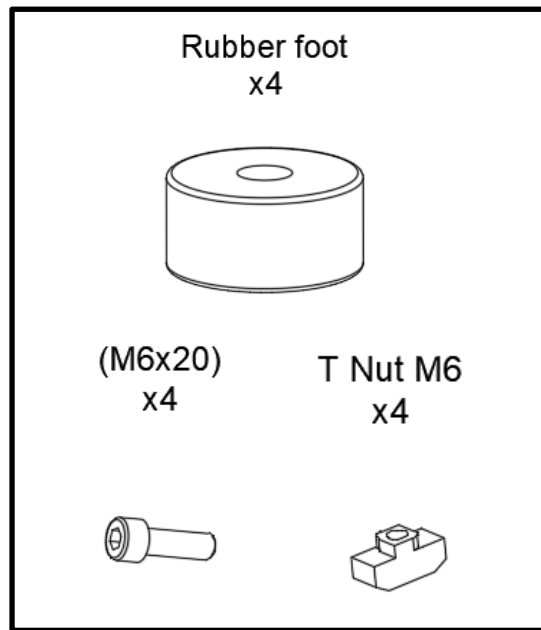


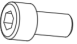

M8x16 x8	M8 Slider x8
	

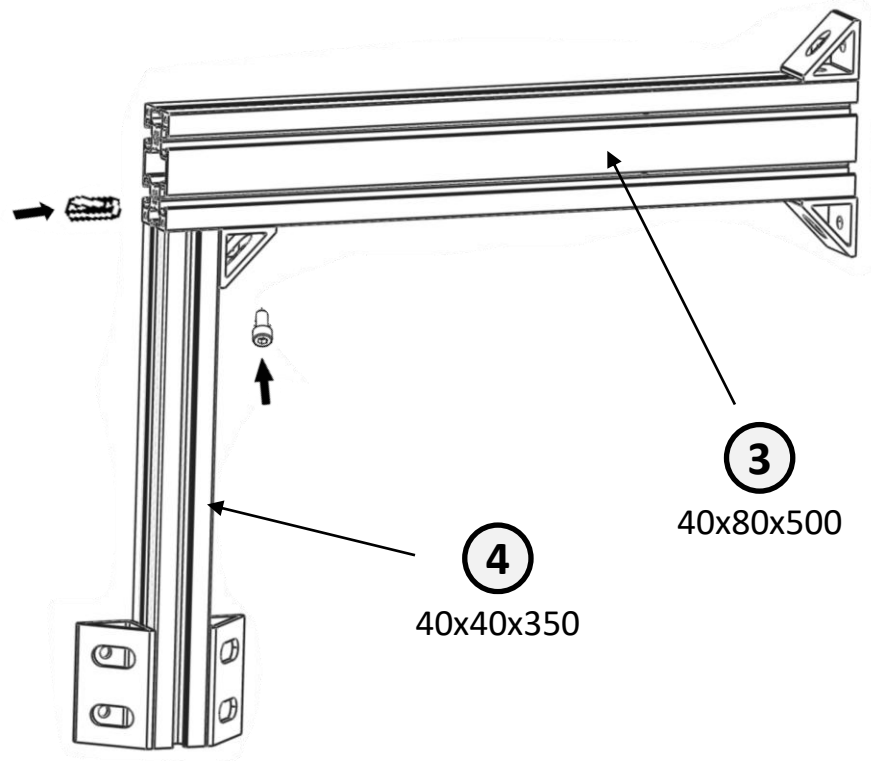



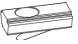
M8x16 x8	M8 Slider x8
	

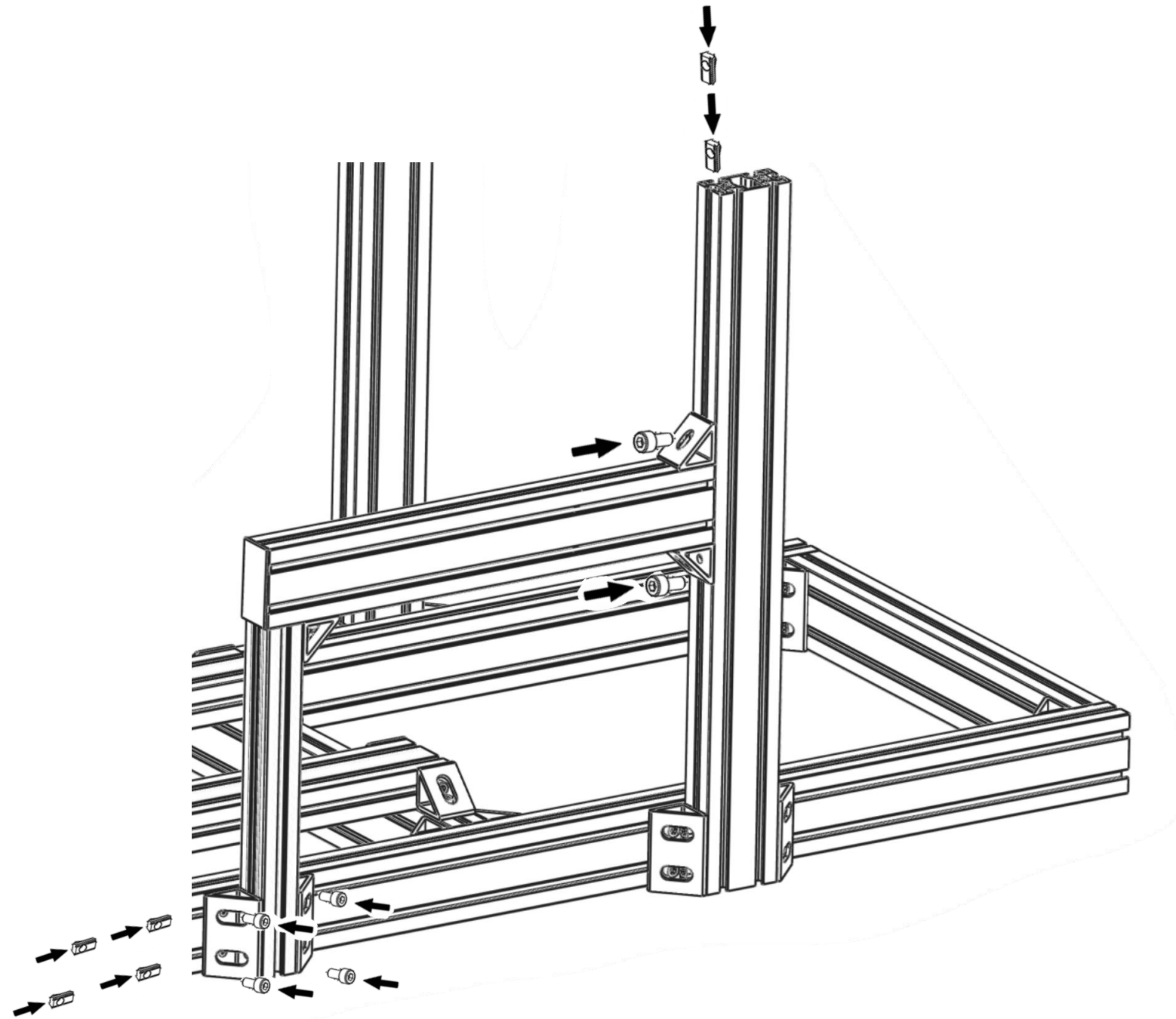



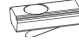


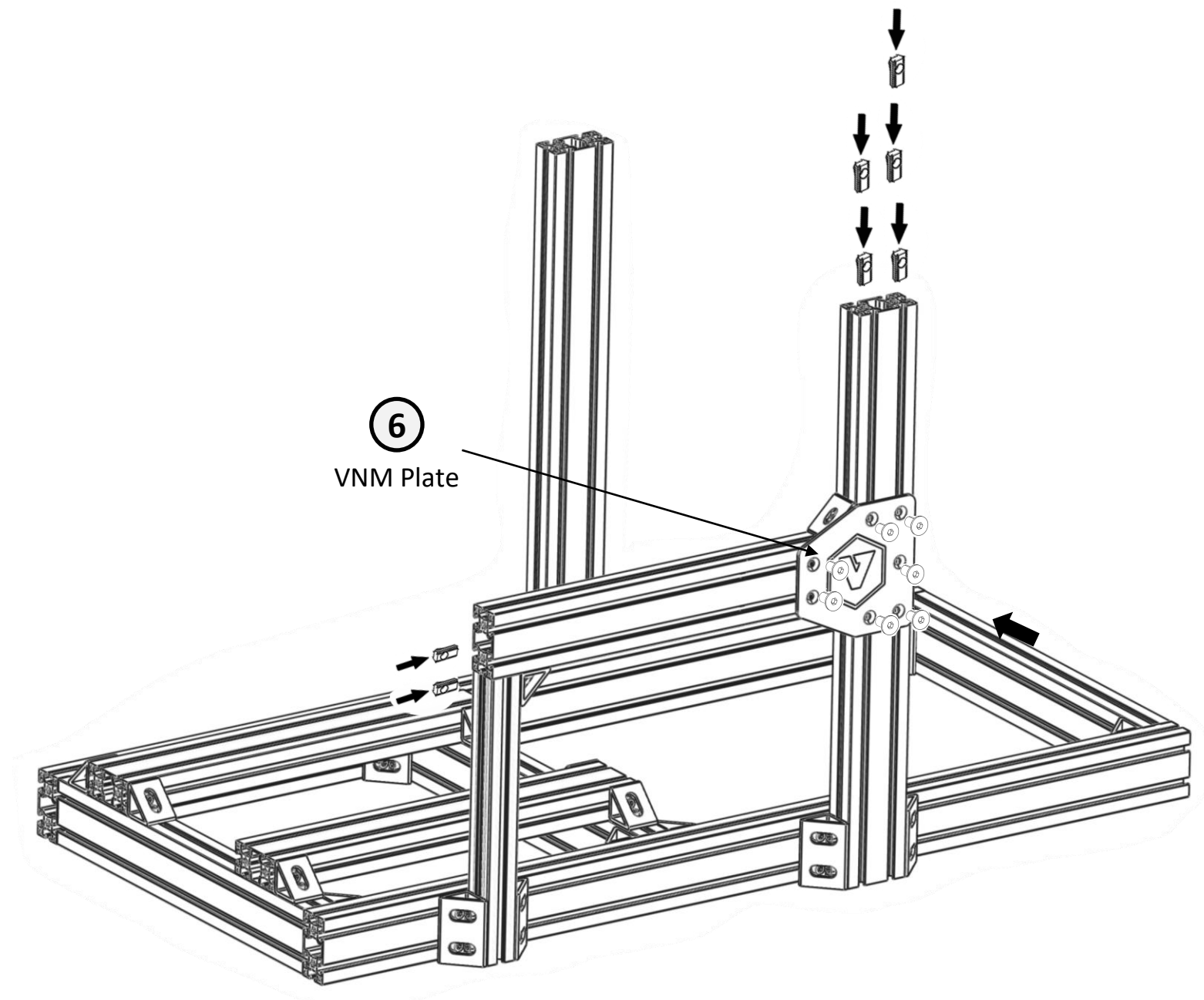
M8x16 x1	M8 Slider x1
	


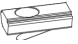



M8x16 x6	M8 Slider x6
	



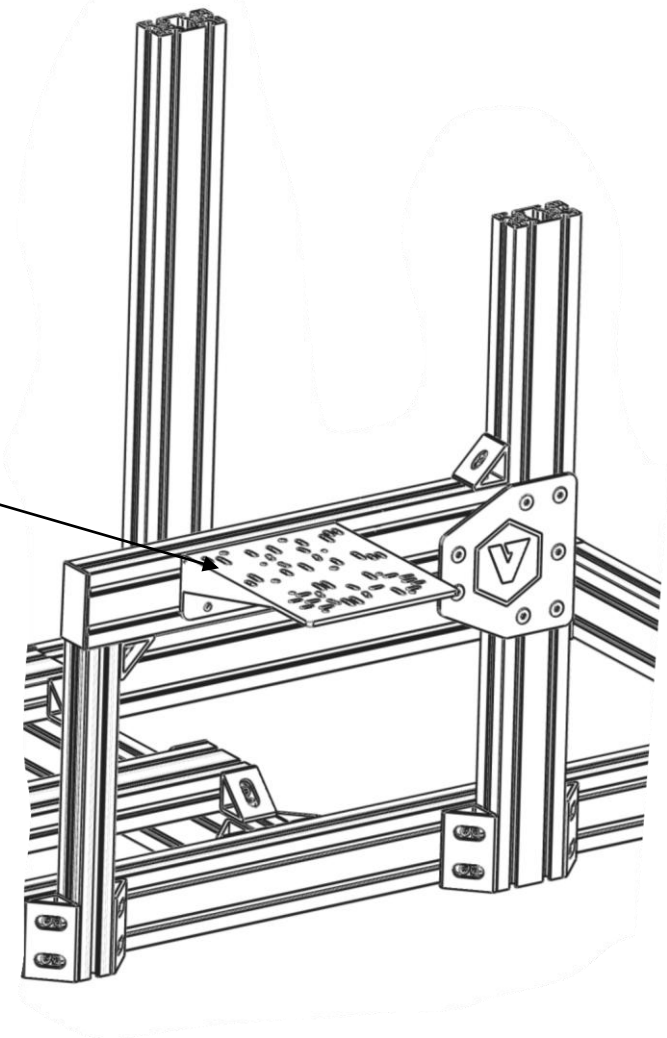
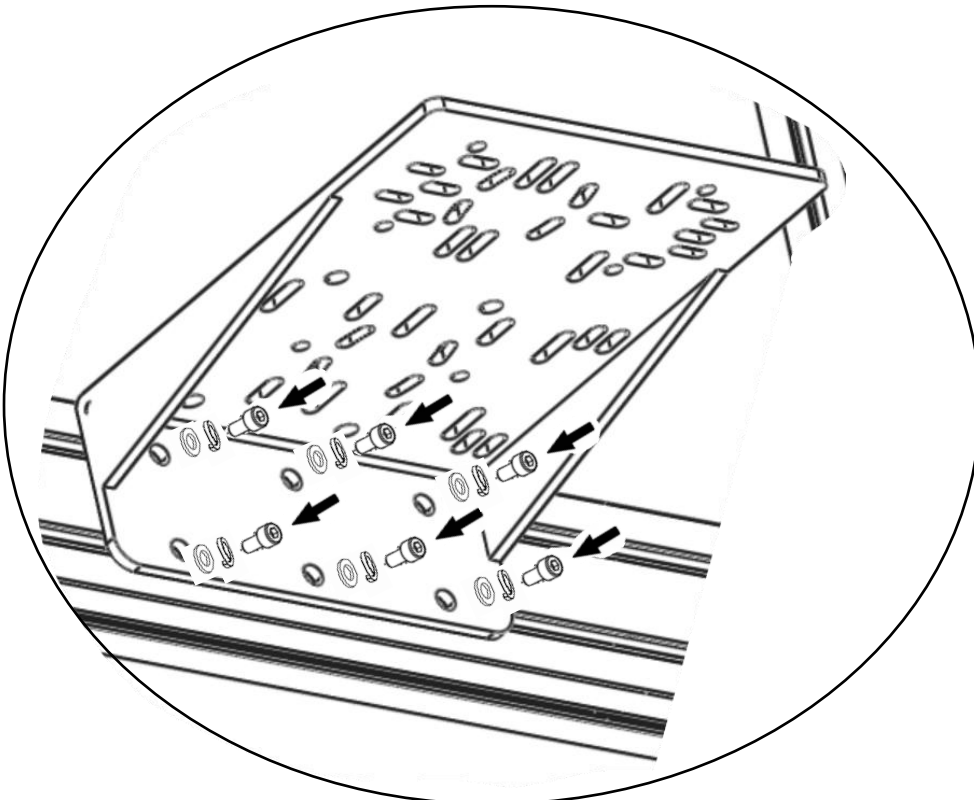
M8x16 x7	M8 Slider x7
	


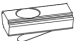



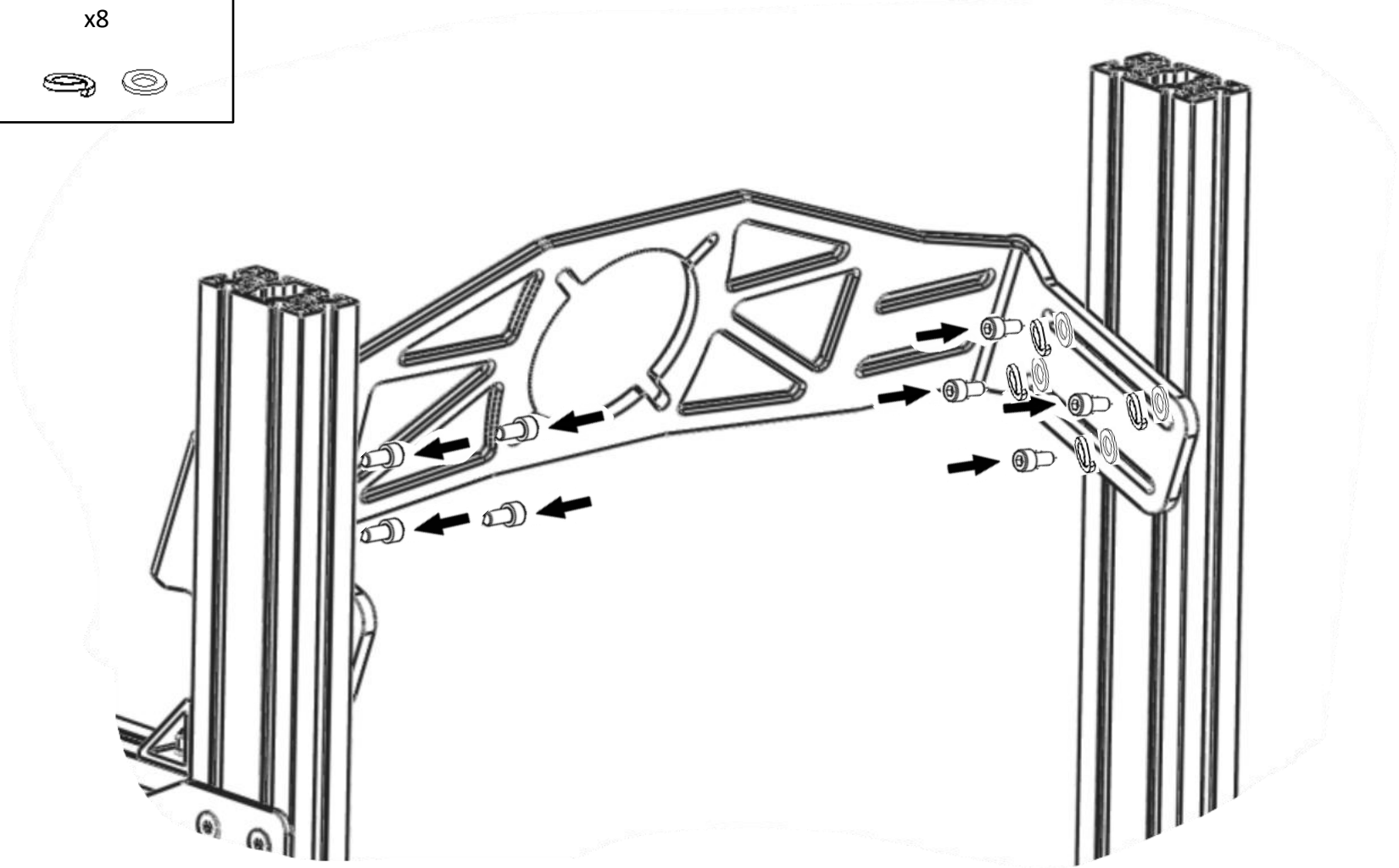
M8x16 x6	M8 Slider x6	Flat, Spring M8 x6
		



7

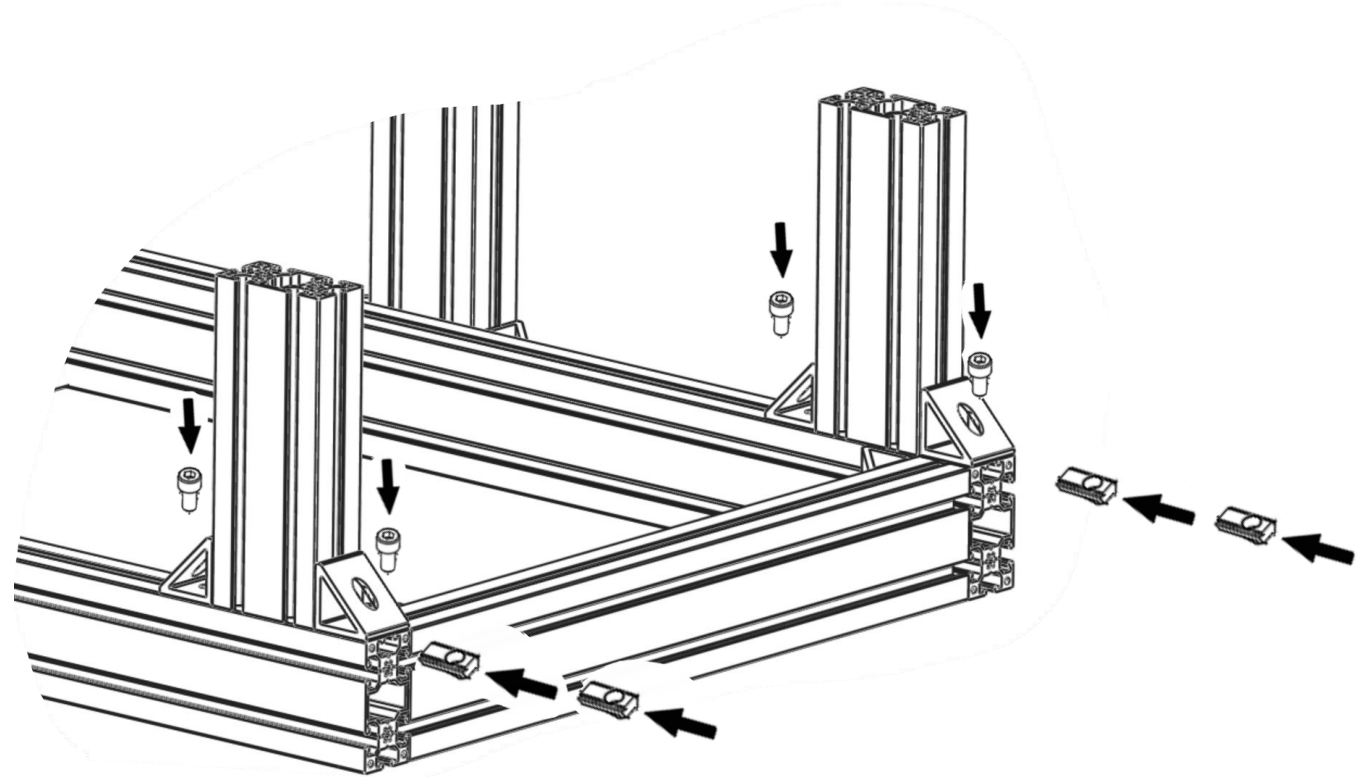
Handbrake Shifter
Bracket



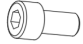

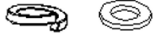
M8x20 x8	M8 Slider x8	Flat, Spring M8 x8
		

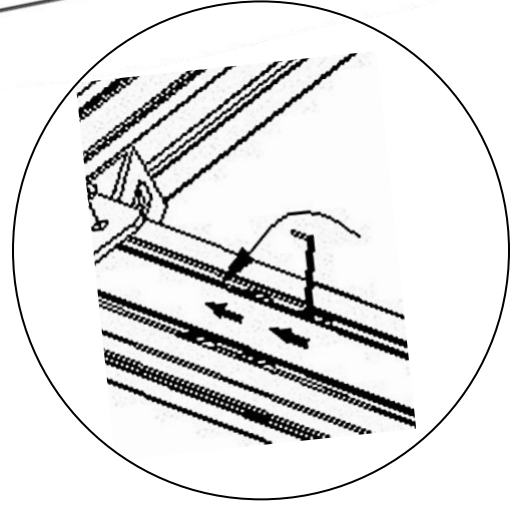
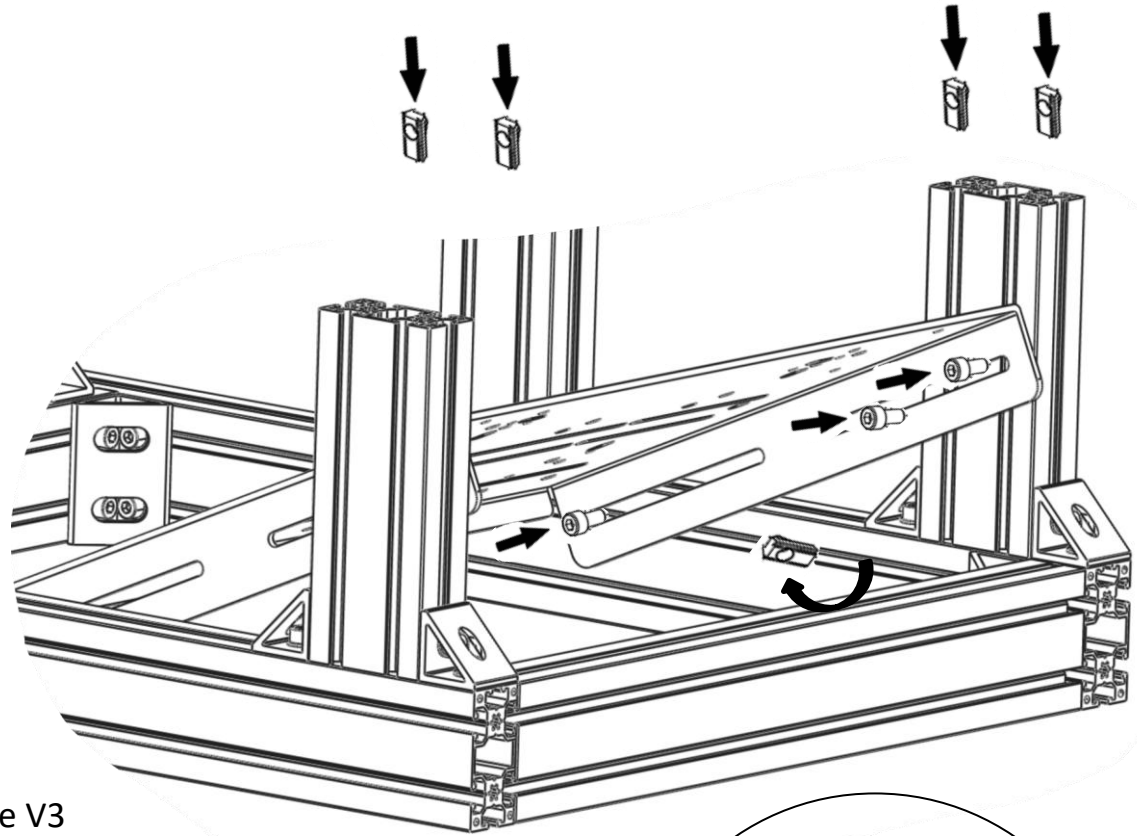


M8x16 x4	M8 Slider x4
	



Do not fully tighten the screws at this step

M8x16 x6	M8 Slider x6	Flat, Spring M8 x6
		

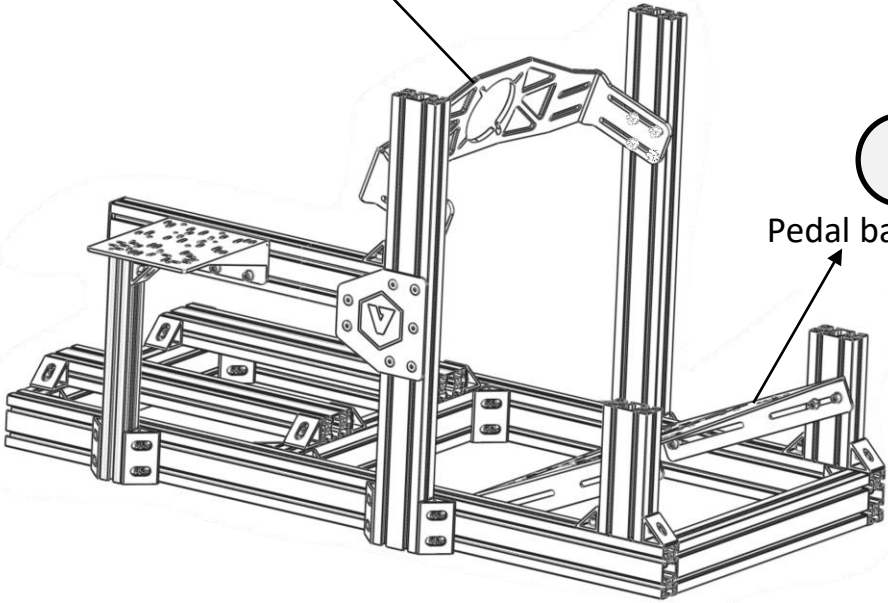


9

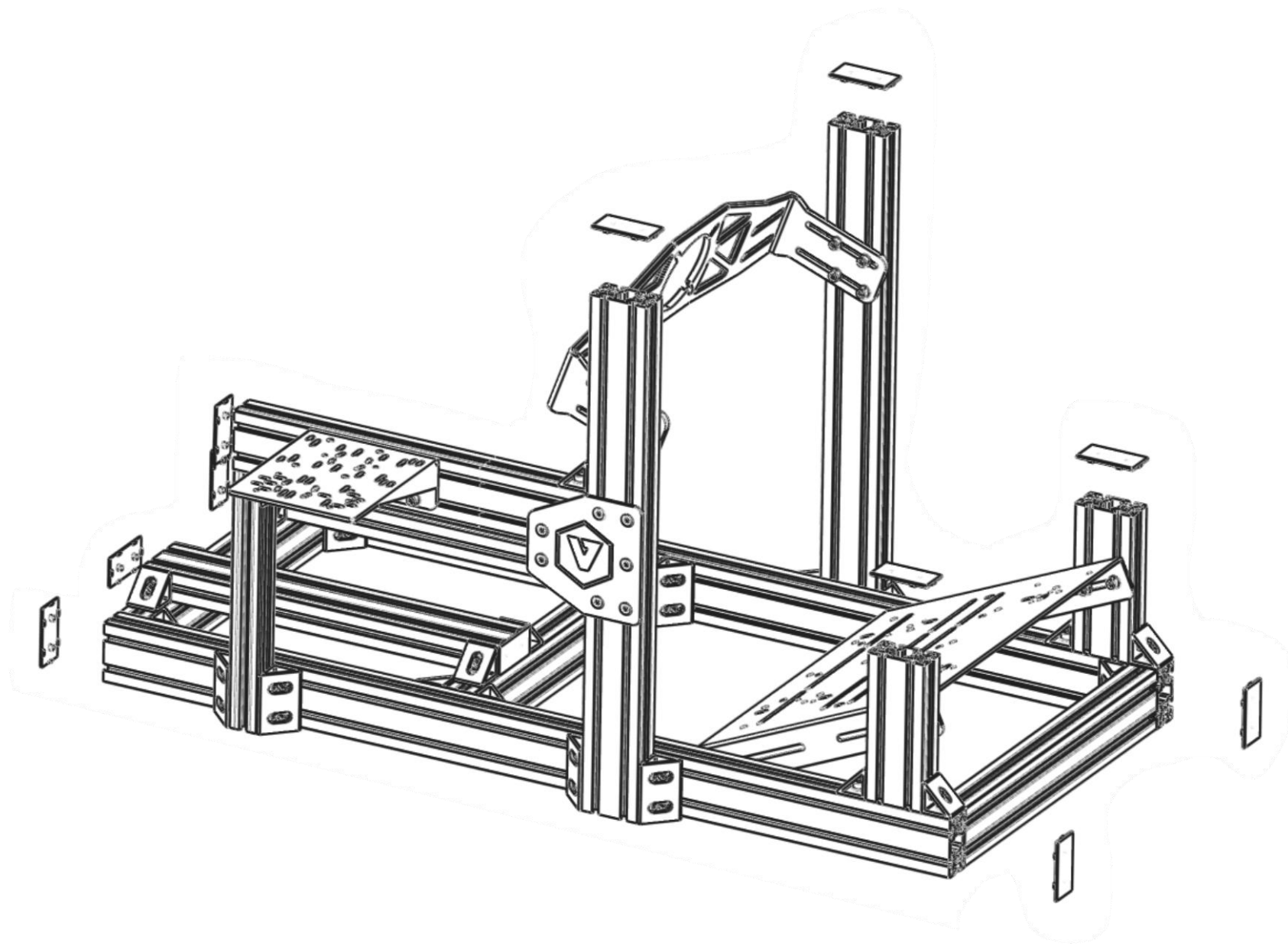
Wheel Base Mount
V1

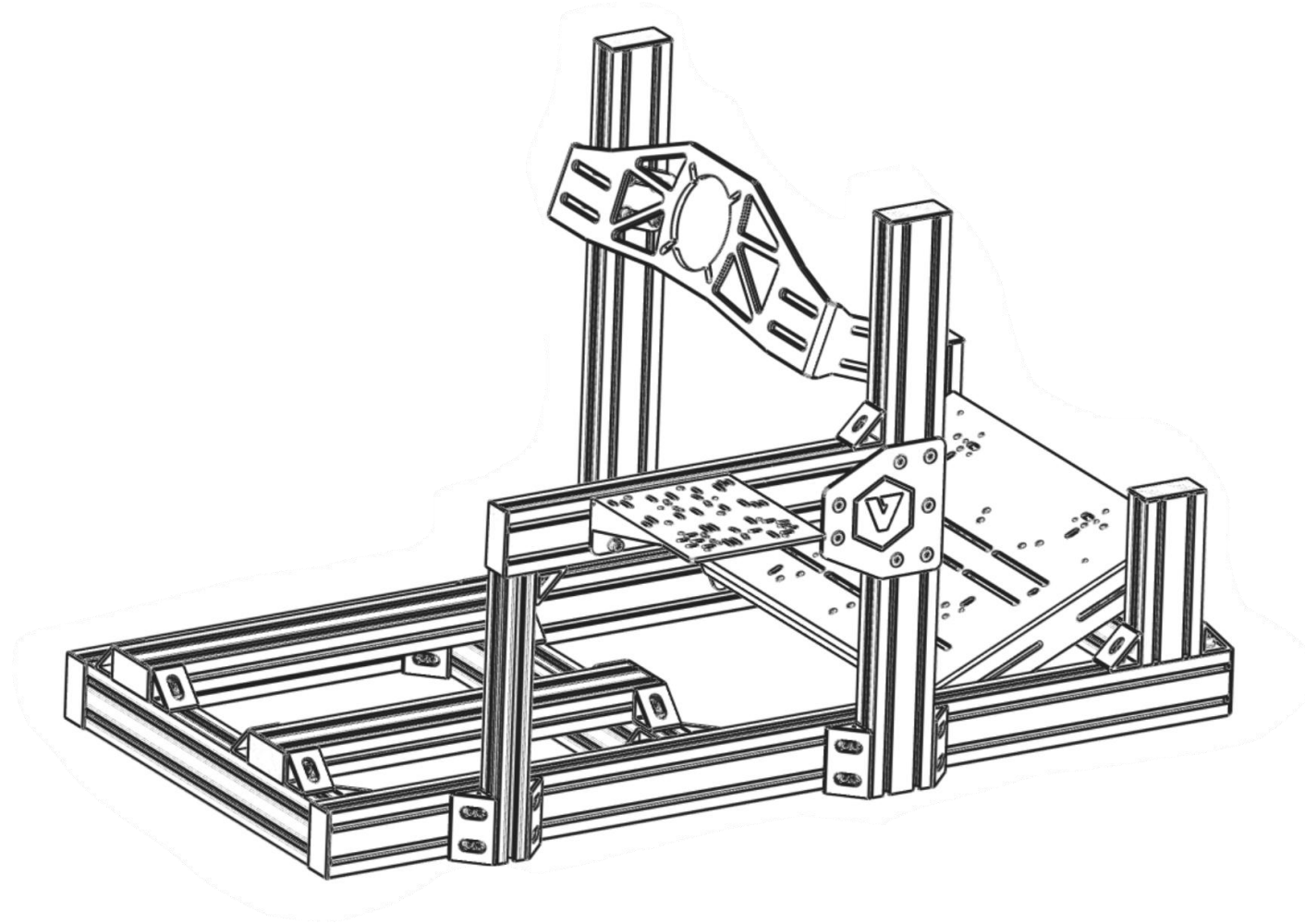
8

Pedal base plate V3



Alu cover
x13





*“Congratulations on completing your rig assembly.
If you have any questions or encounter any problems, please contact us for support!”*

