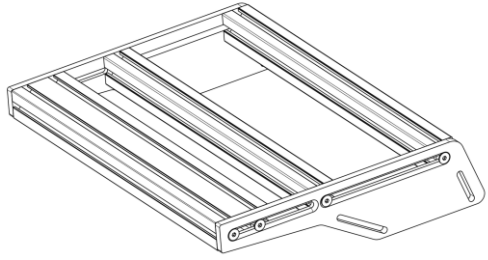
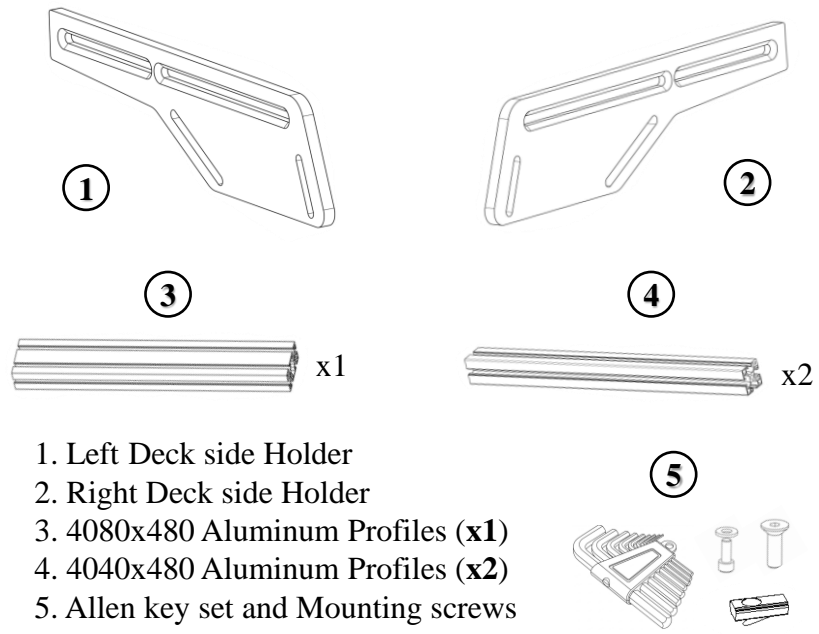


VNM UNIVERSAL PEDAL DECK

Quick Guide



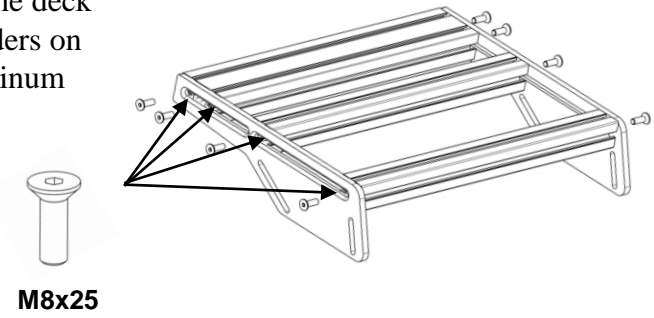
Content



Set up

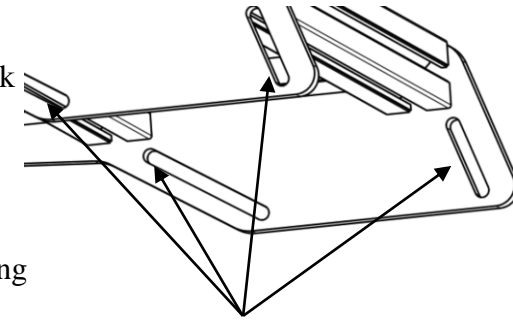
Step 1: Mounting Deck side Holders:

- ✓ Install the deck side holders on the aluminum profiles

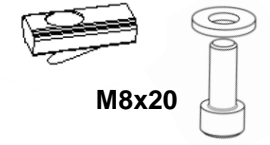


Step 2: Mounting Pedal Deck :

- ✓ Install Pedal Deck on the your rig
- ✓ Then tighten the bolts with the included leaf spring nut & washers



- ✓ You can adjust the Pedal Deck to fit your foot position. The product allows an angle adjustment from 0° to 18° and a height adjustment from 0 mm to 70 mm.

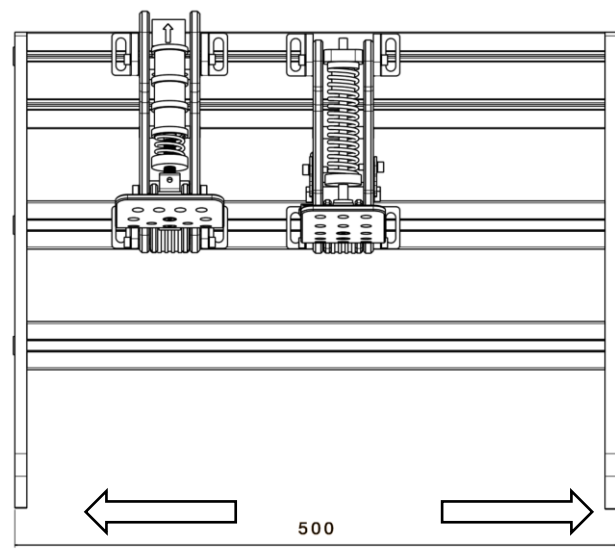


Set up with VNM Pedal Set

- ✓ Install your pedal units to the aluminum profile. Tighten the bolts with the included T nuts and washers



- ✓ Note: This product fits rigs with an internal width of 500mm.



Pedal Deck Mounting Drawing

