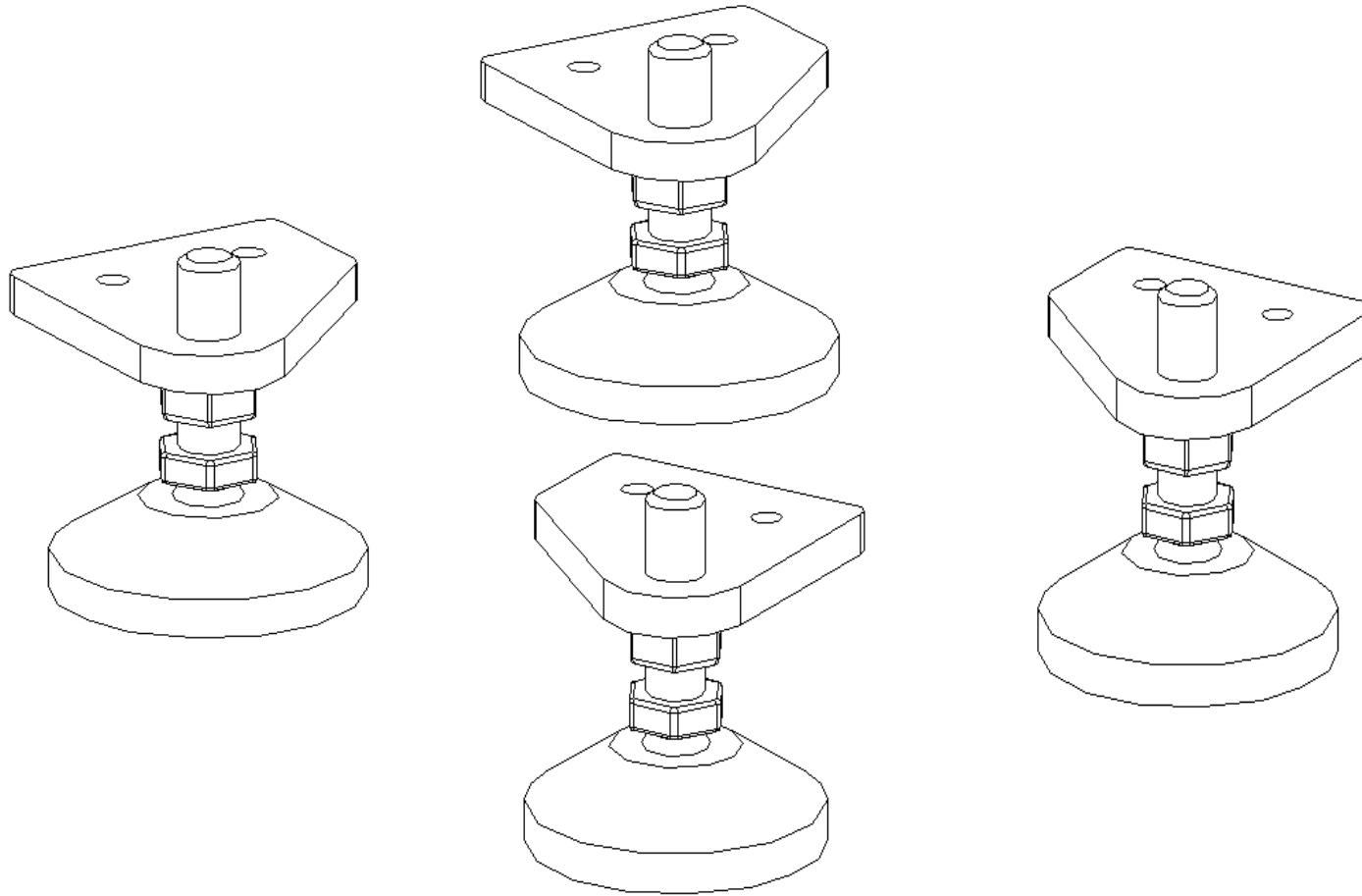


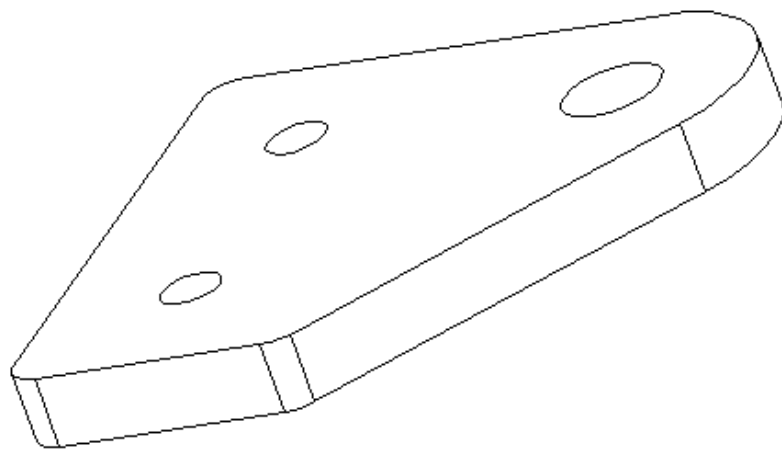


# Quick installation guide

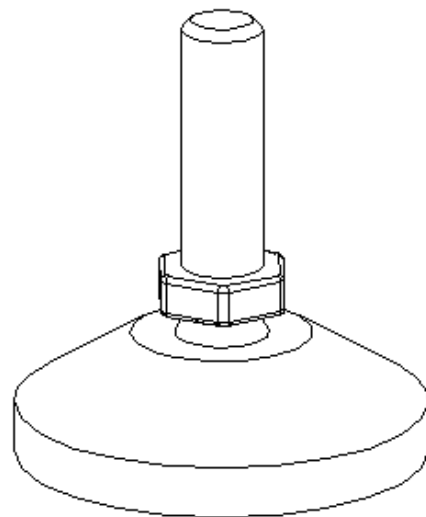
## VNM Static Foot V2



Static foot bracket  
x4



Static foot  
x4



(M8x20)  
x8



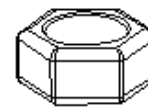
(Spring 8)  
x8



(Flat 8)  
x8

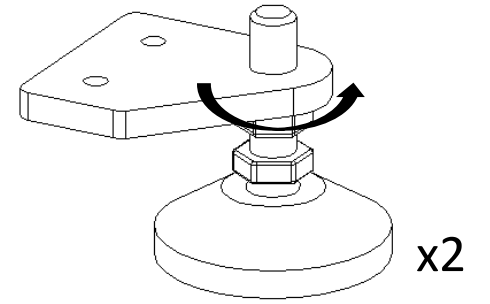
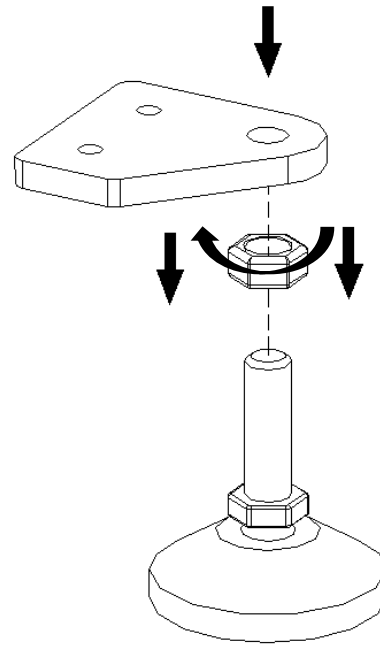
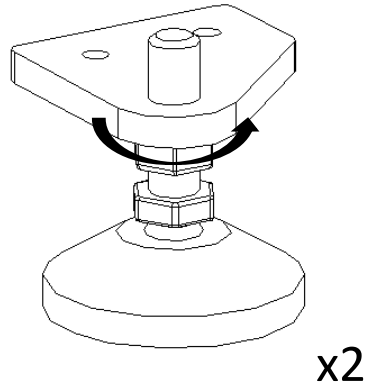
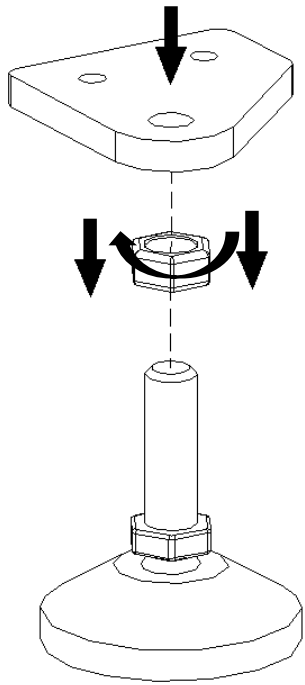
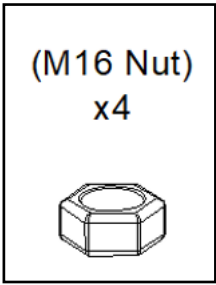


(M16 Nut)  
x4



(M8 Nut)  
x8





(M8x20)  
x8



(Spring 8)  
x8



(Flat 8)  
x8



(M8 Nut)  
x8

