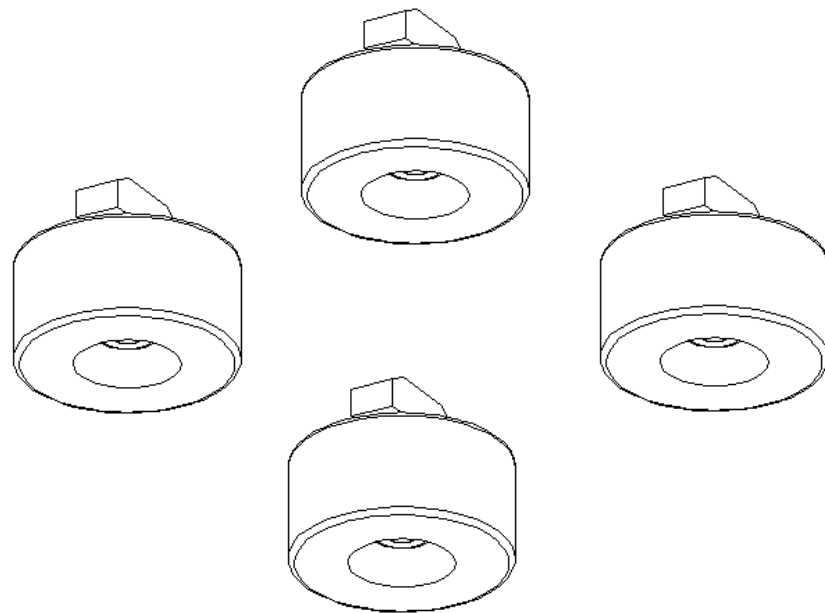




Quick installation guide VNM Rig Feet (Rubber feet)



Rubber feet

(M6x20)
x4



(M6 T Nut)
x4



Rubber foot
x4



Washer
x4

