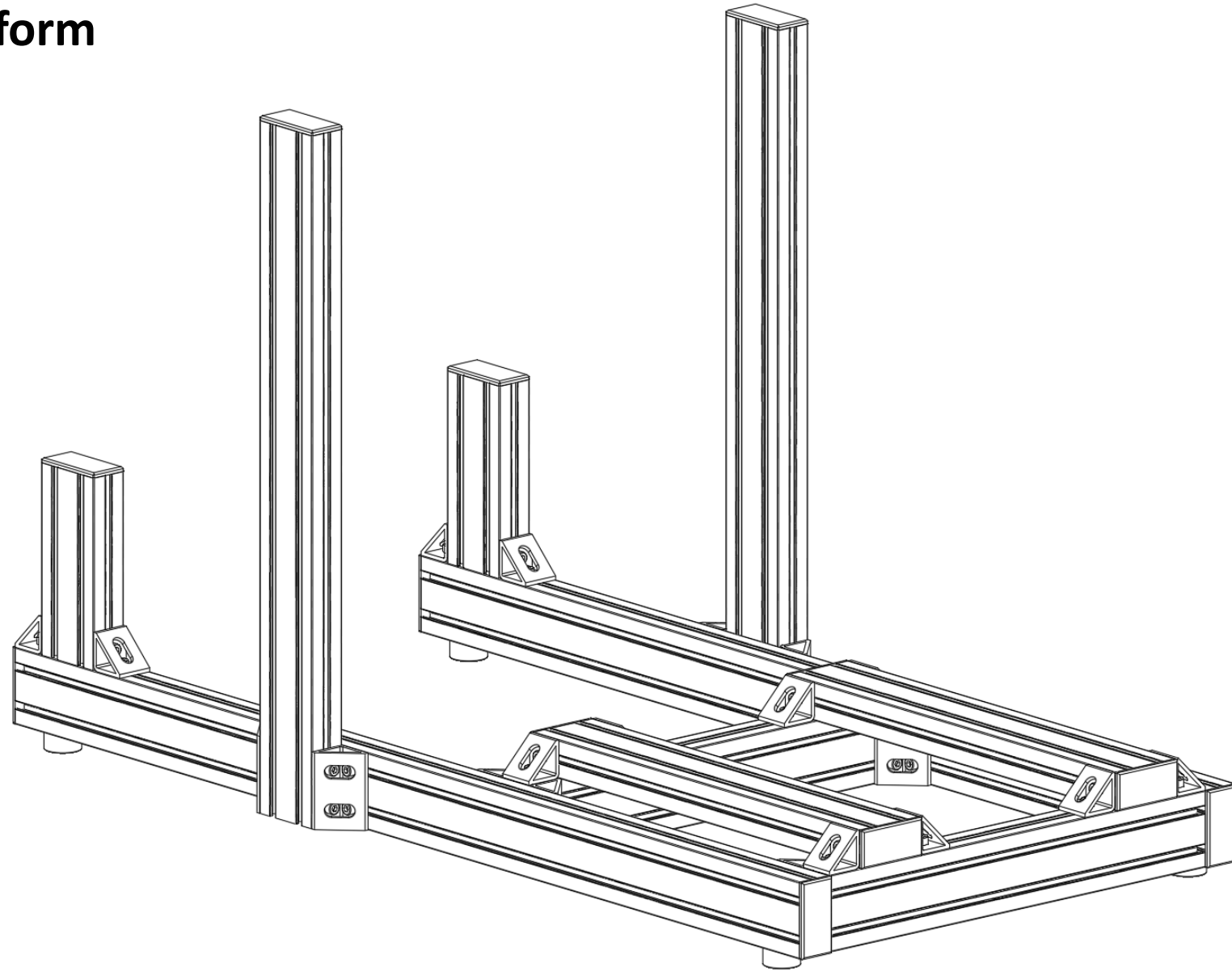
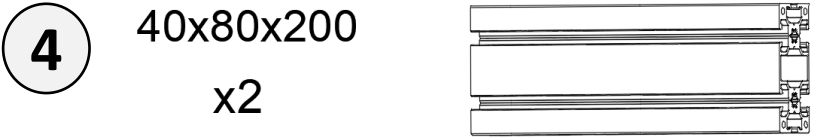
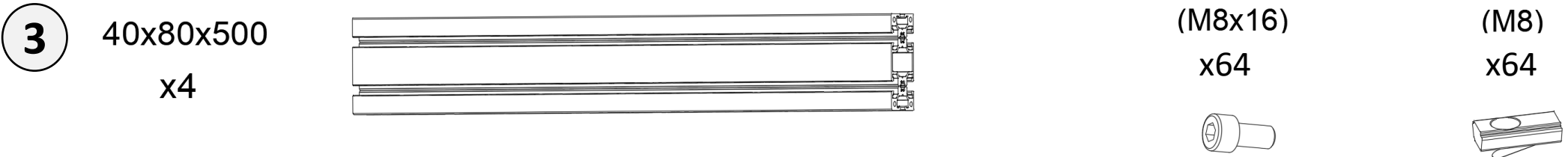
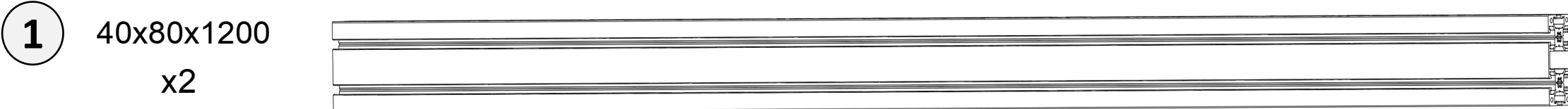


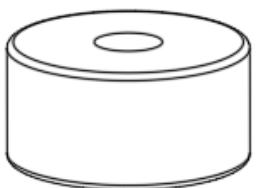


Quick installation guide VNM Rig Platform





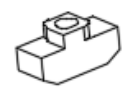
Rubber foot
x4



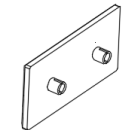
(M6x20)
x4



T Nut M6
x4



(Alu Cover)
x12



4080 Conner Aluminum
x10

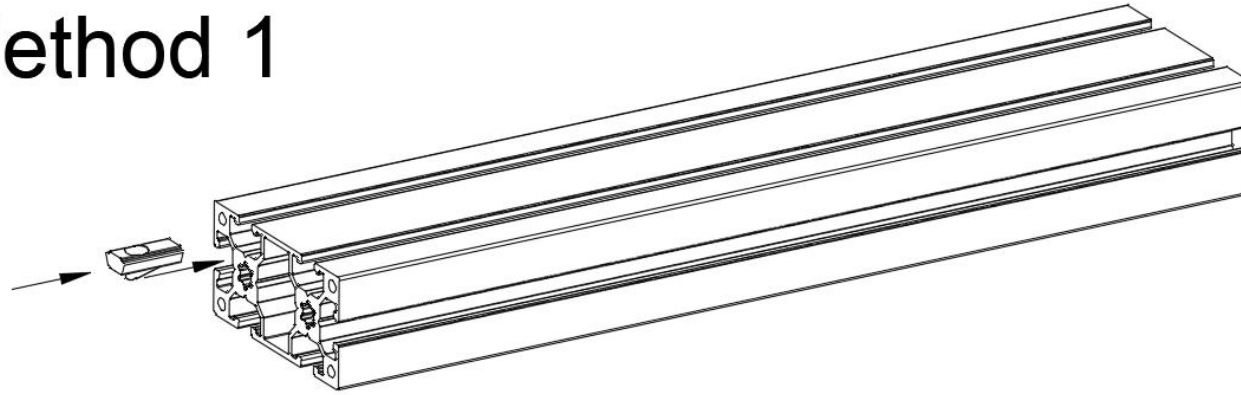


4040 Conner Aluminum
x12

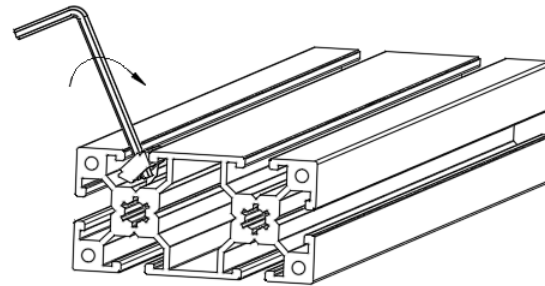


If you are missing any parts, please contact our customer support team who can assist!

Method 1



Method 2



(4080 Alu Corner)
x2



(M8x16)
x4

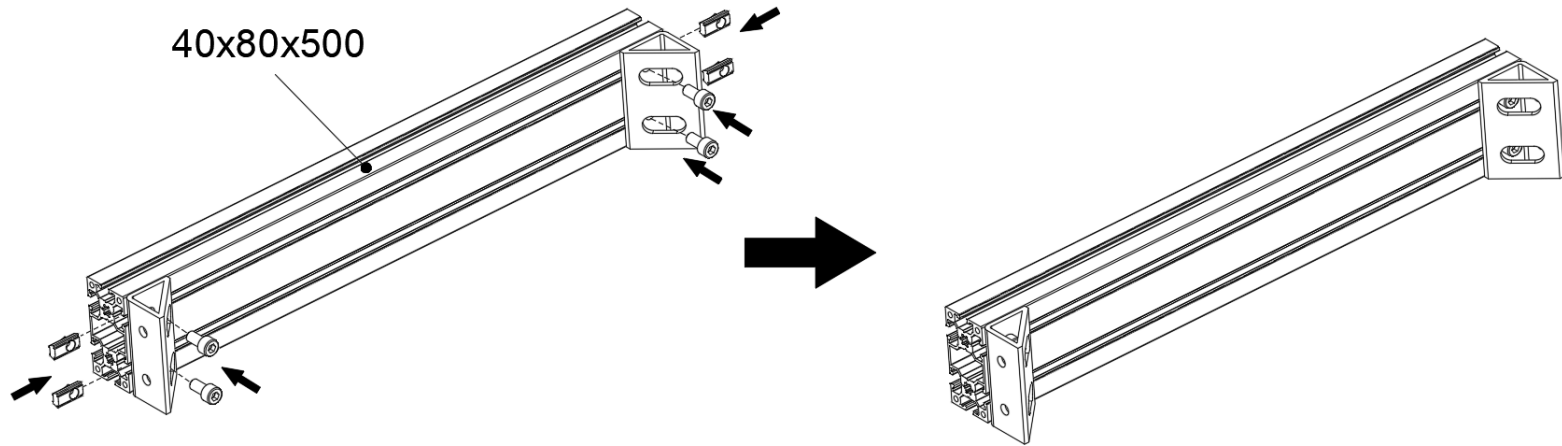


(M8 Nut)
x4



3 x1

40x80x500



(4080 Alu Corner)
x4



(M8x16)
x8

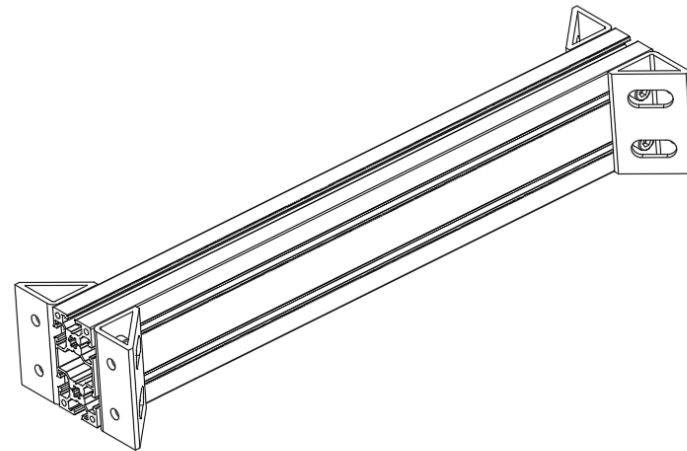
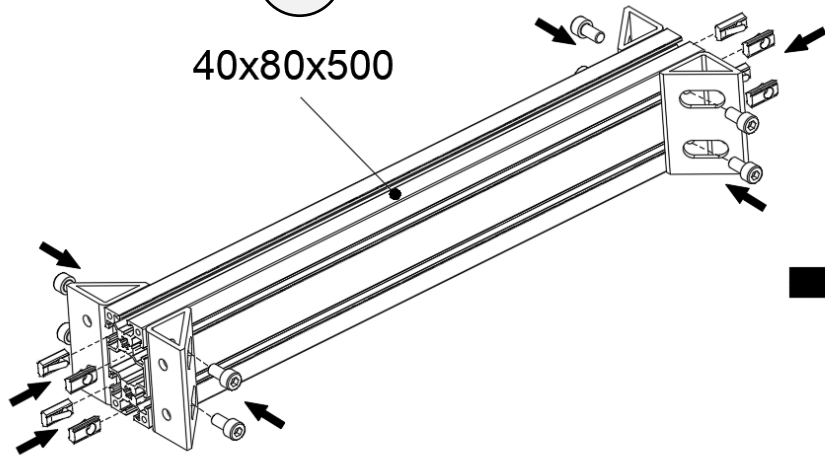





(M8 Nut)
x8

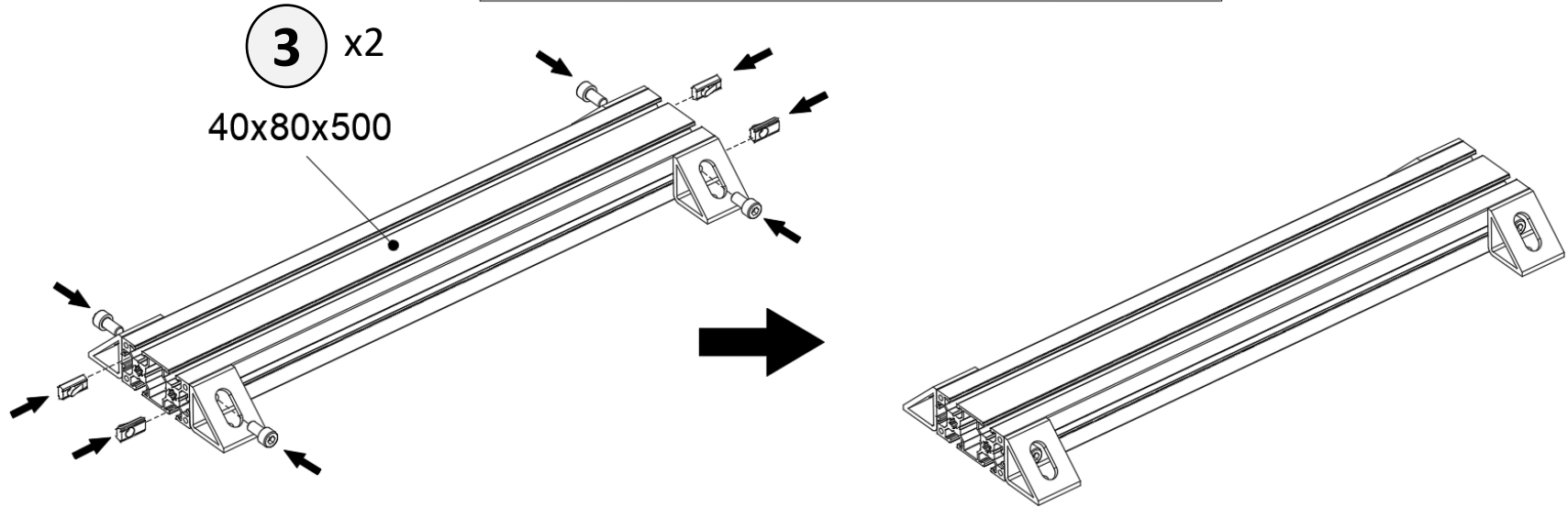



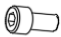

3 x1

40x80x500



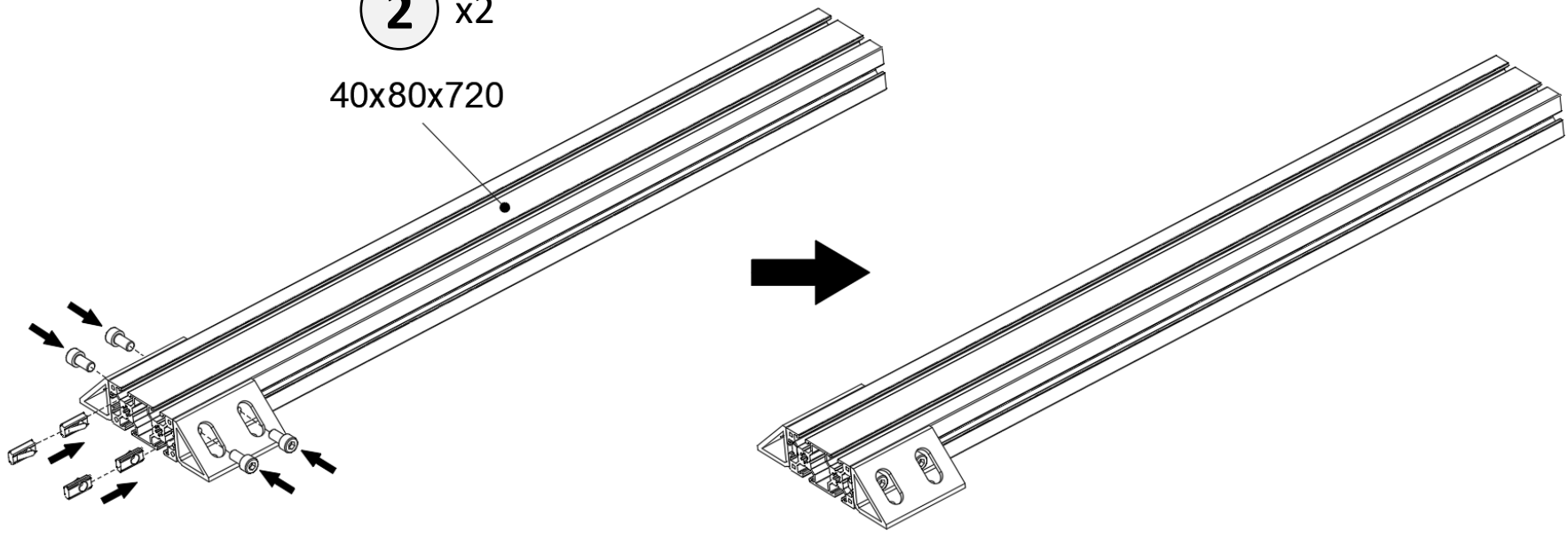
(4040 Alu Corner) x4	(M8x16) x4	(M8 Nut) x4
		






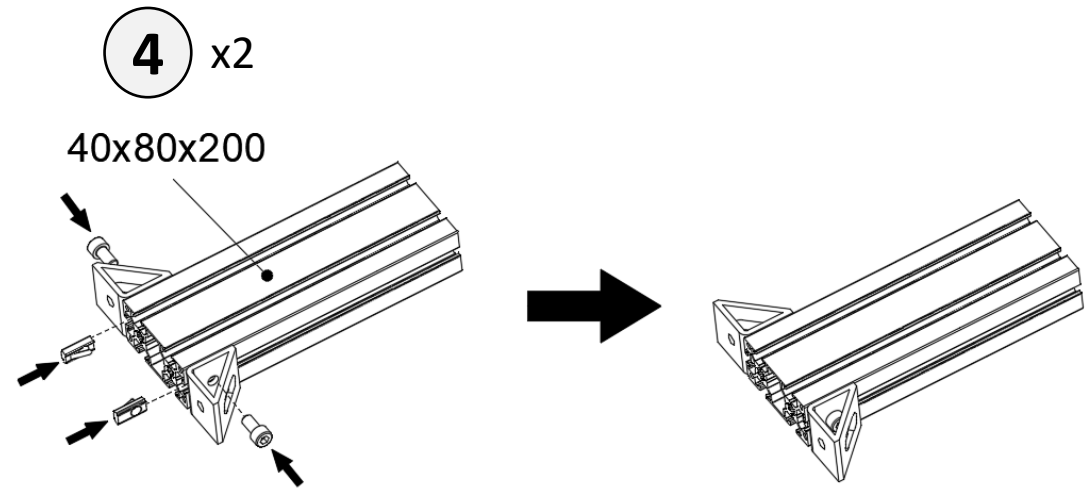
(4080 Alu Corner) x2	(M8x16) x4	(M8 Nut) x4
		



2 x2

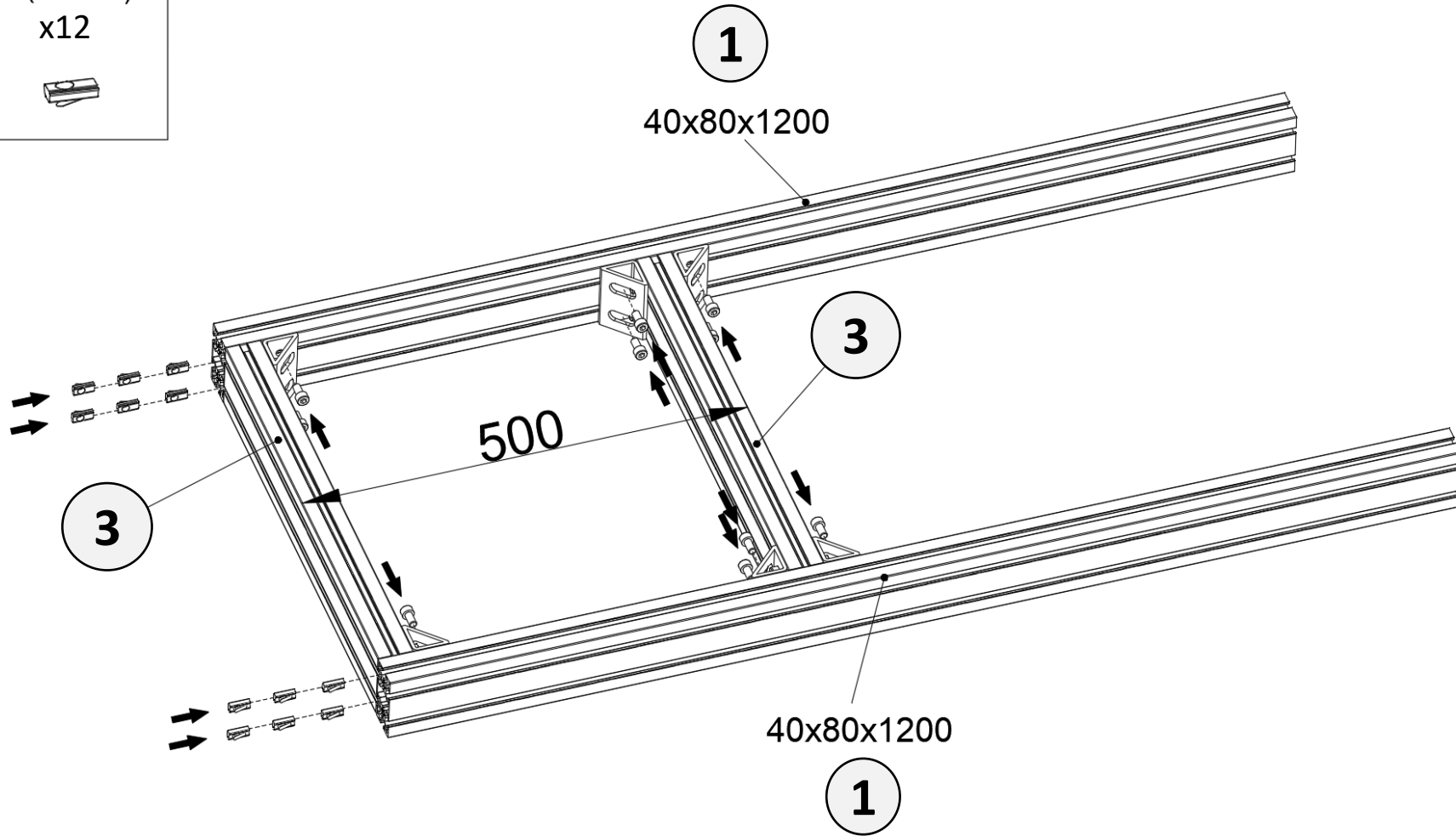
40x80x720



(4040 Alu Corner) x2	(M8x16) x2	(M8 Nut) x2
		



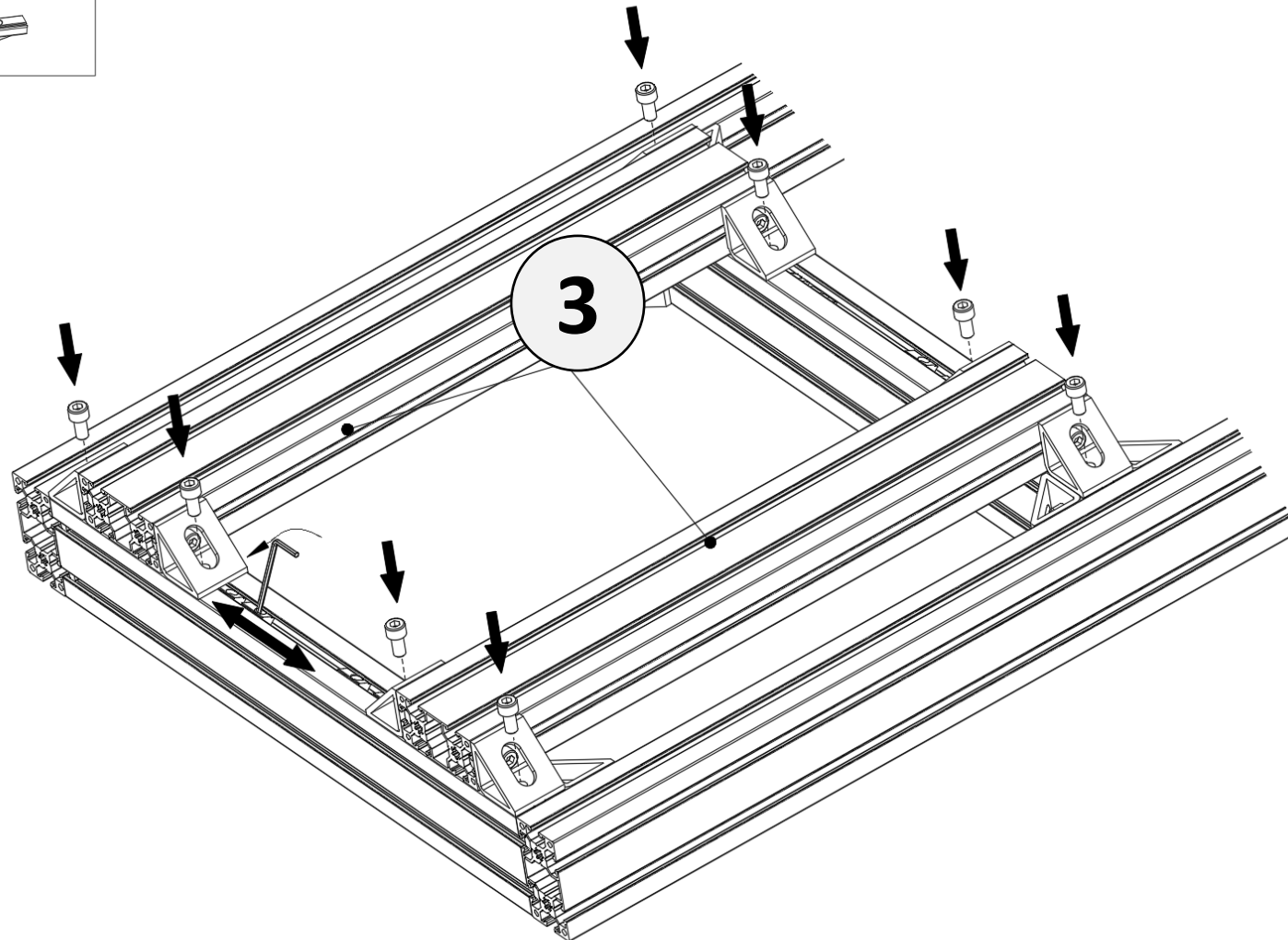
(M8x16) x12	(M8 Nut) x12
	





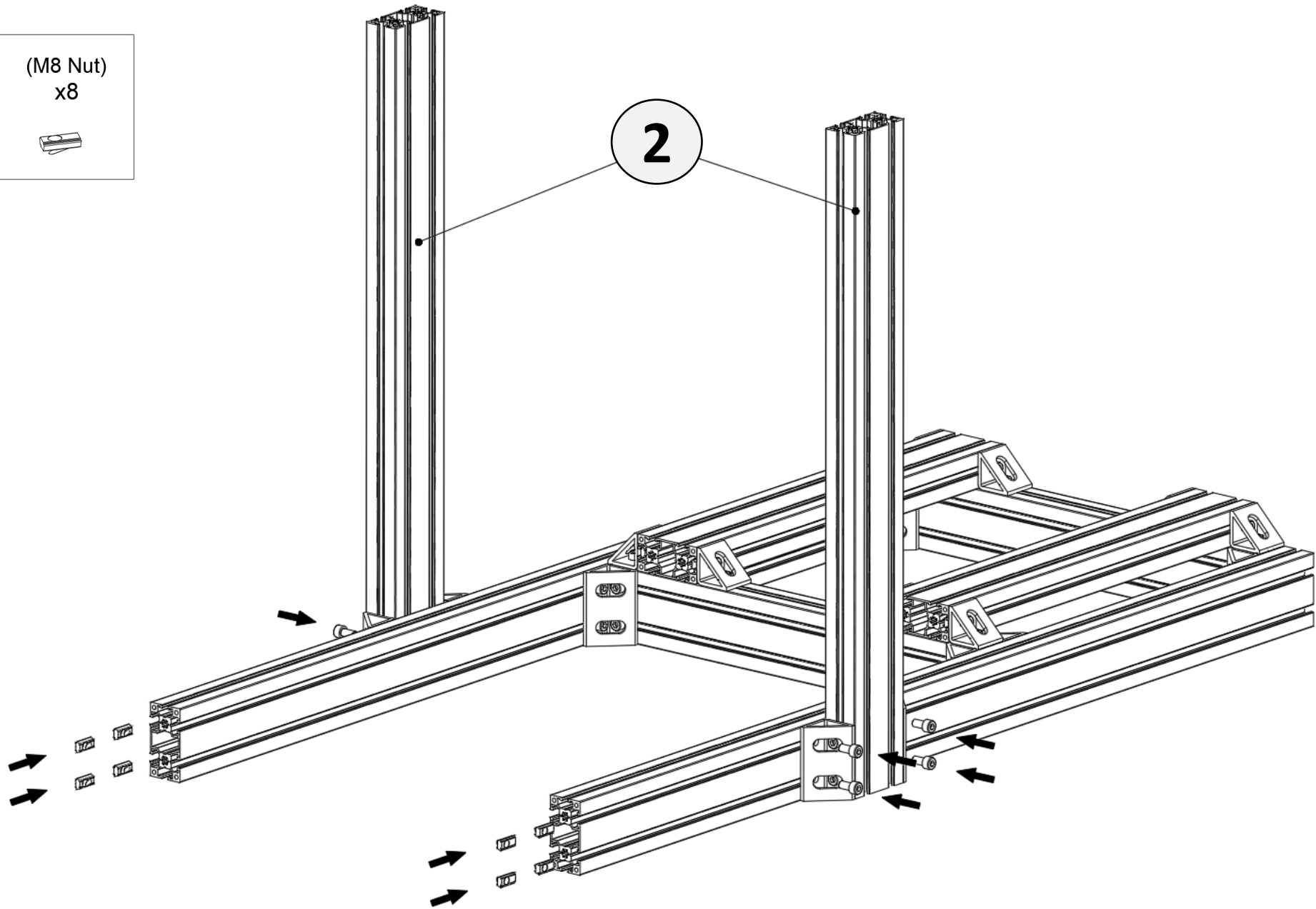
(M8x16)
x8

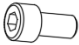



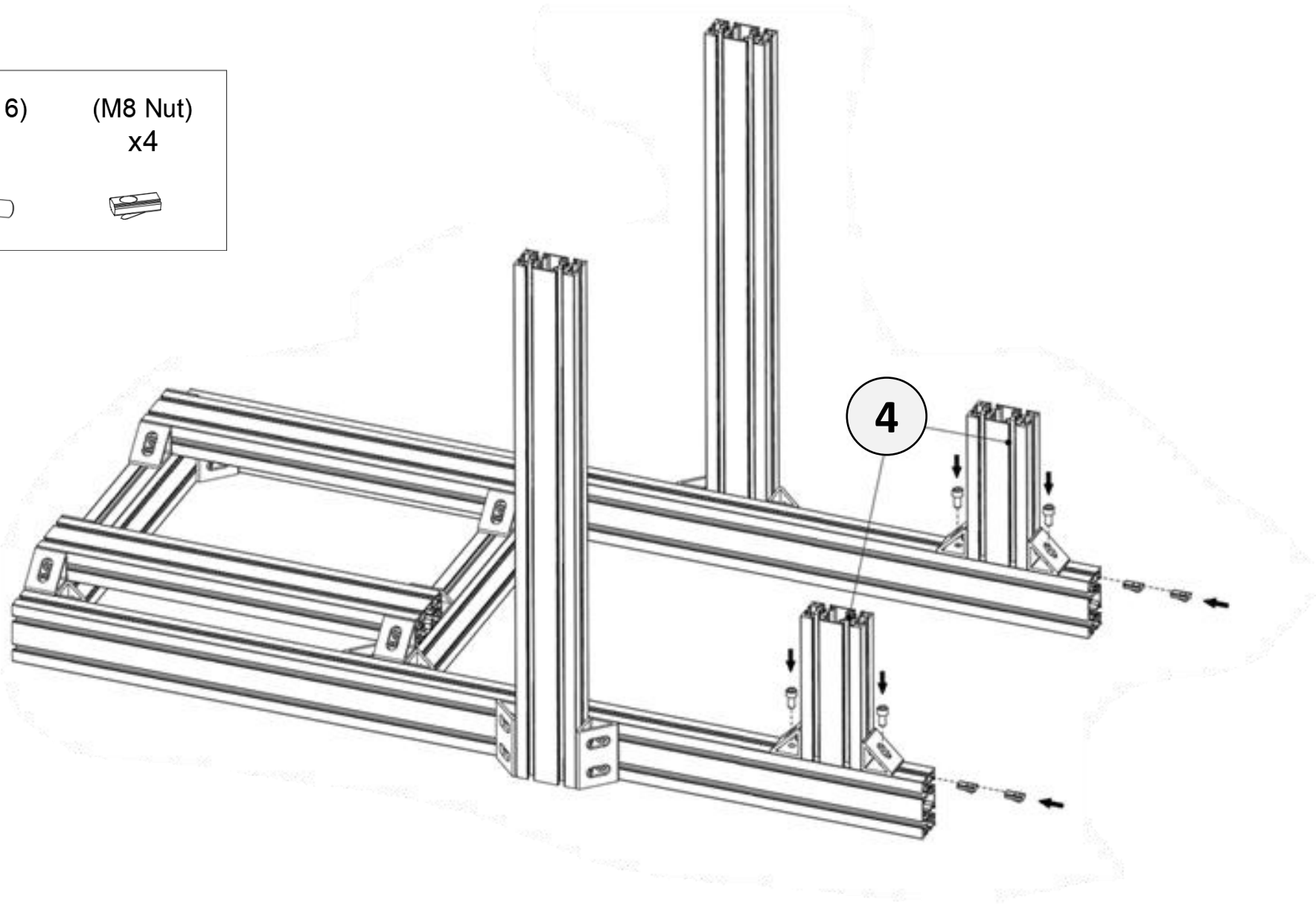
(M8 Nut)
x8

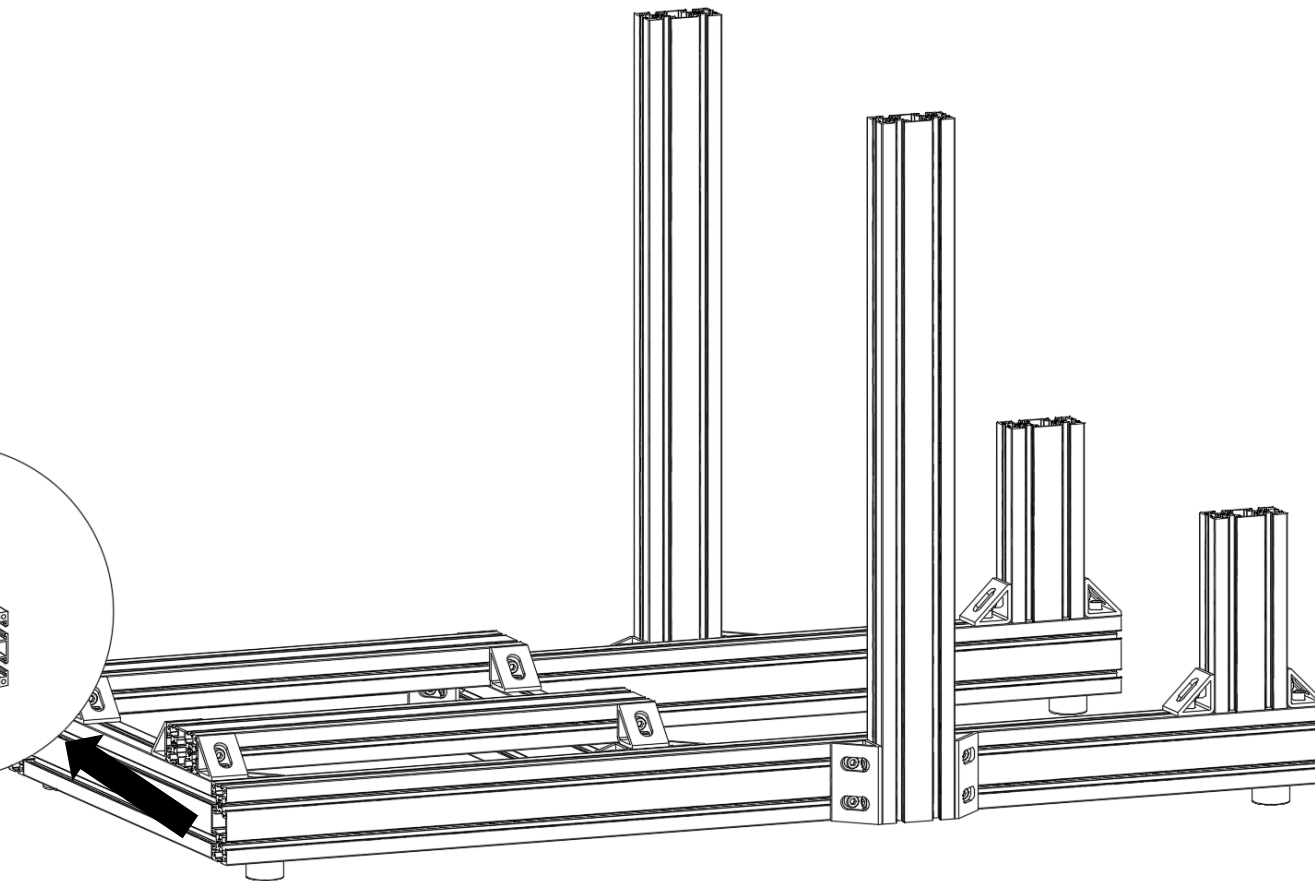
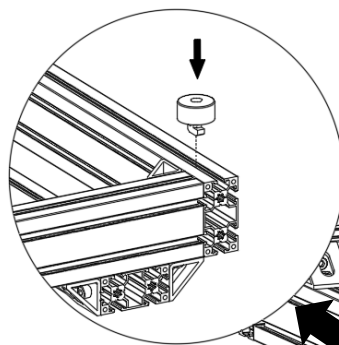
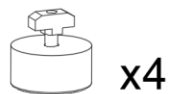
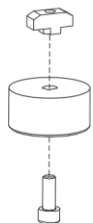
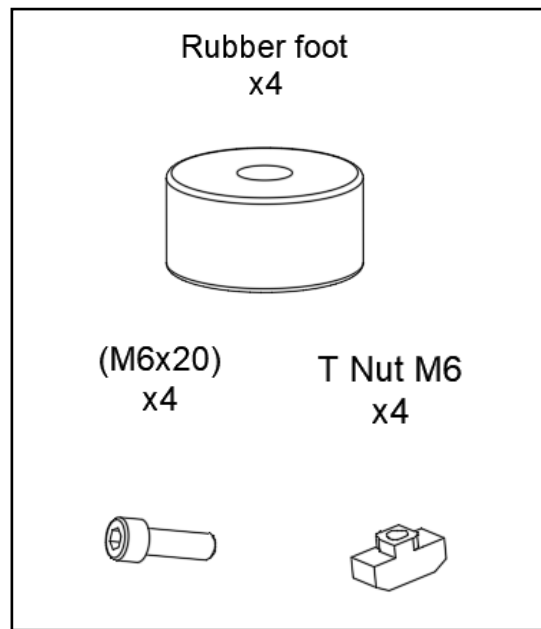


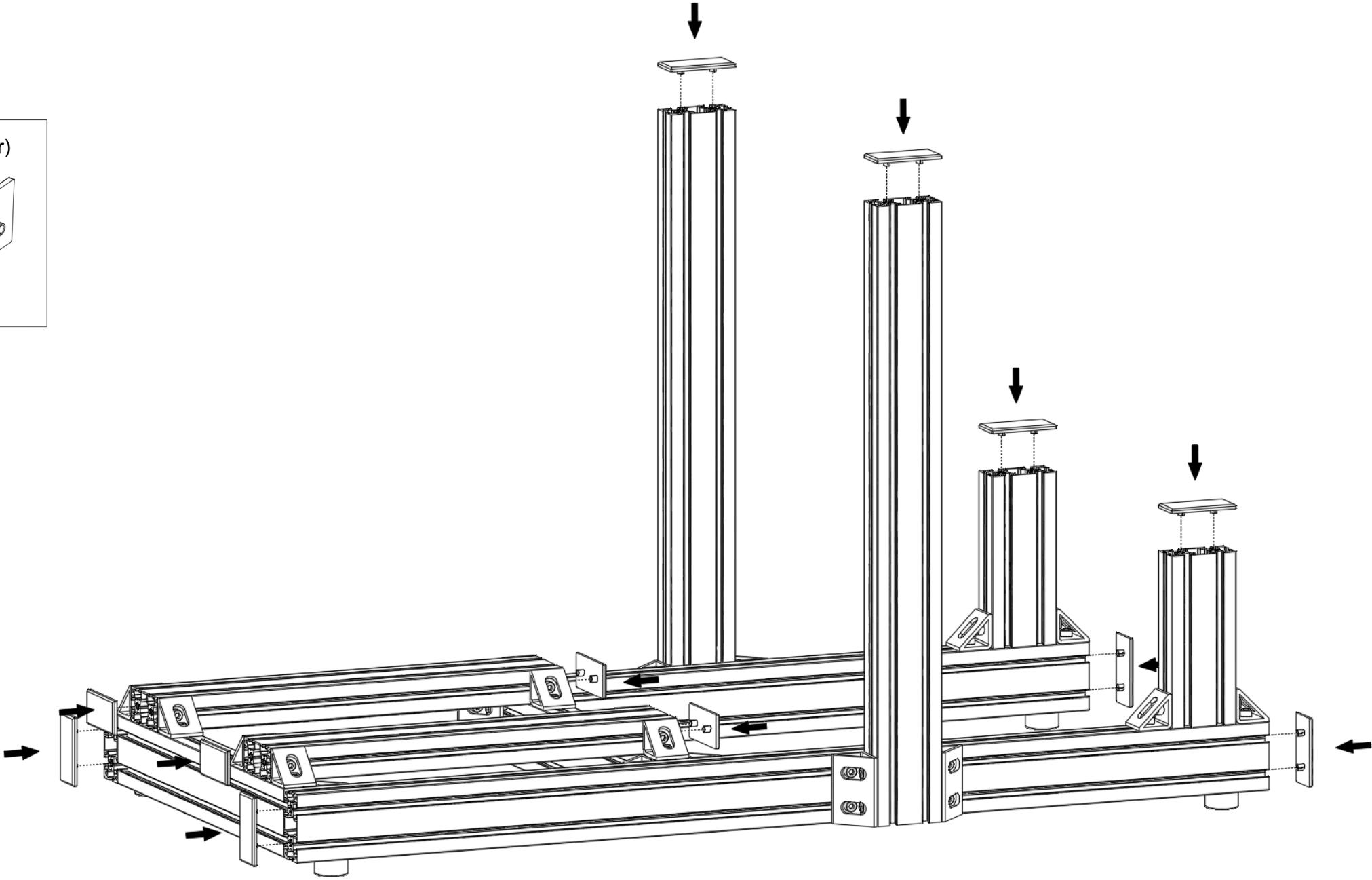
(M8x16) x8	(M8 Nut) x8
	

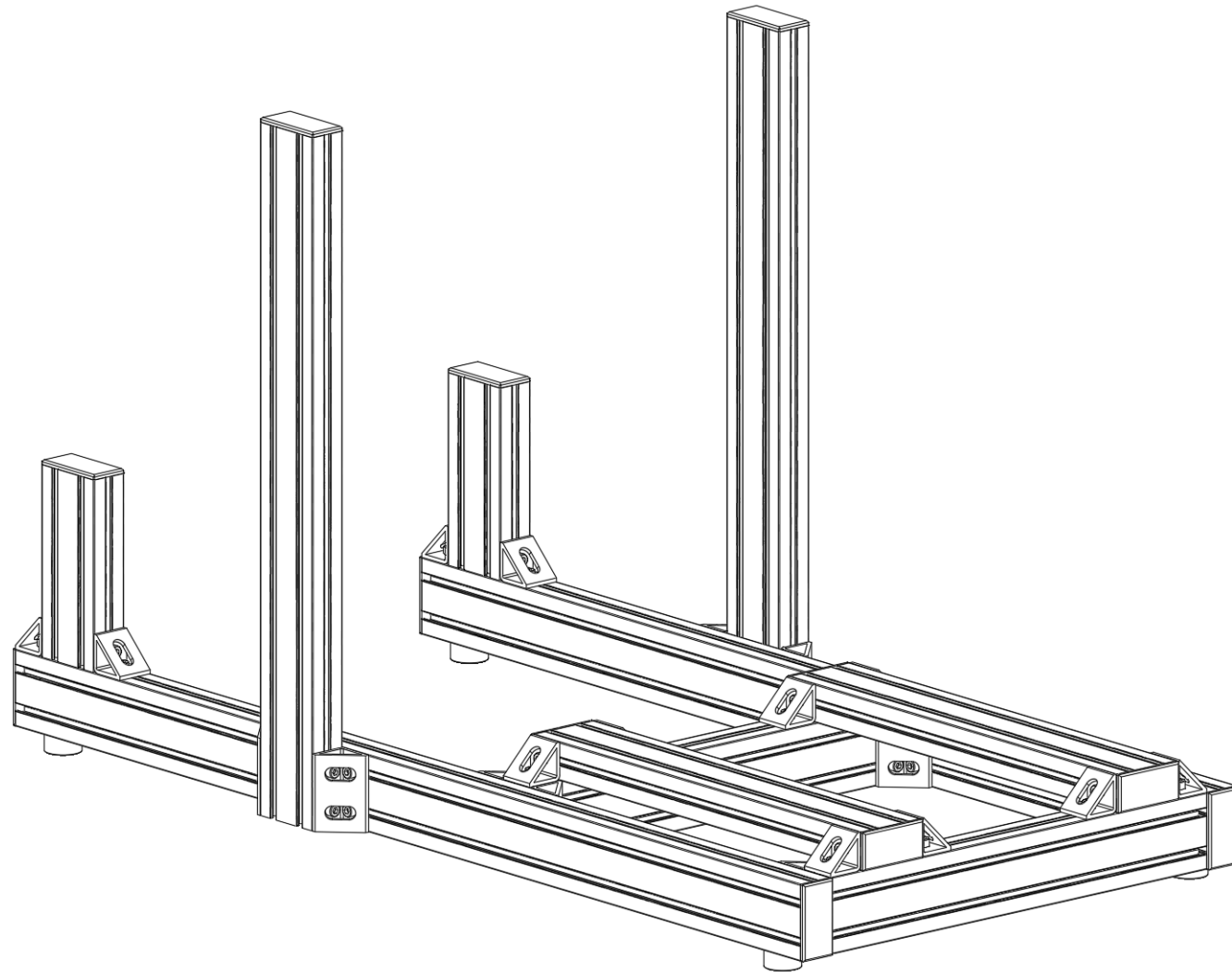


- | | |
|---|---|
| (M8x16)
x4 | (M8 Nut)
x4 |
|  |  |









“Congratulations on completing your rig assembly. If you have any questions or encounter any problems, please contact us for support!”