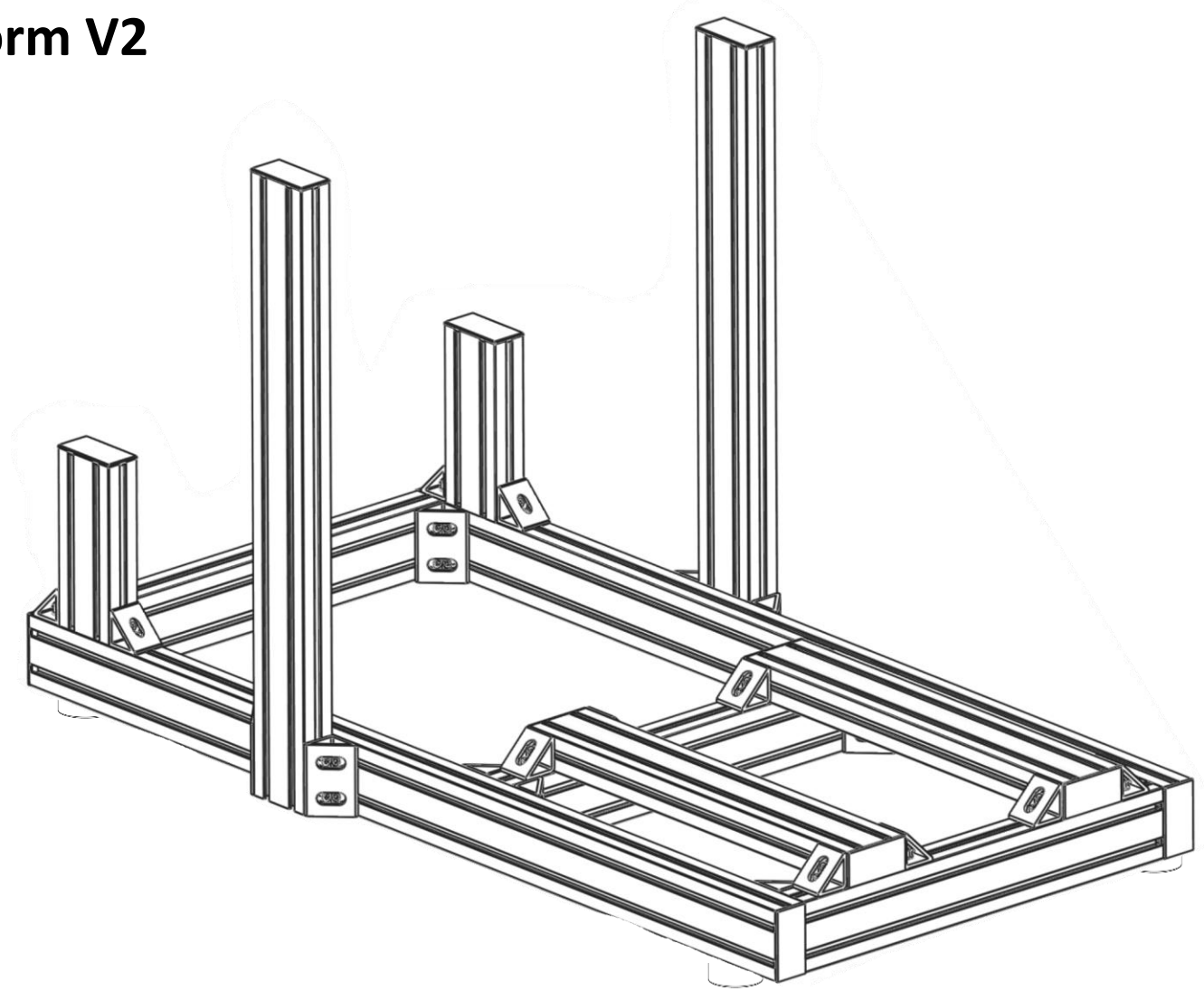
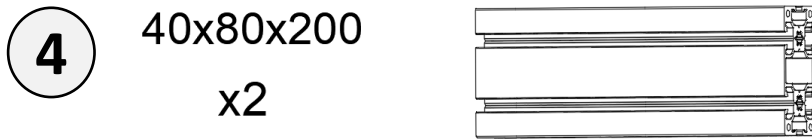
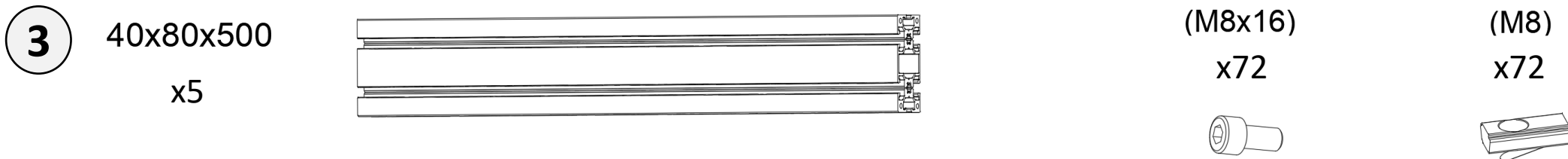
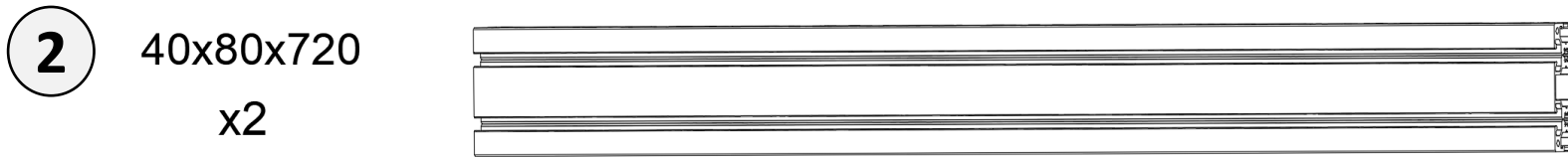
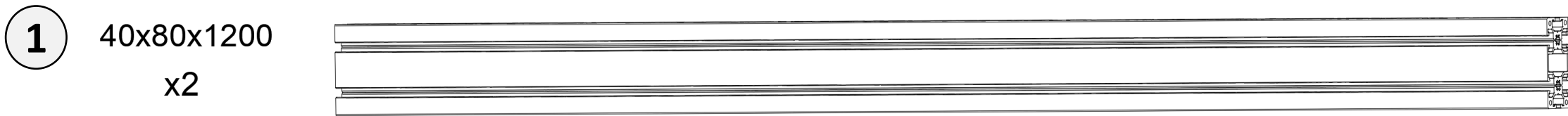


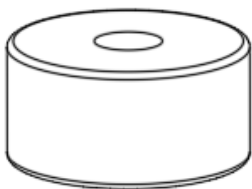


Quick installation guide VNM Rig Platform V2

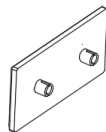




Rubber foot
x4



(Alu Cover)
x12



4080 Conner Aluminum
x12



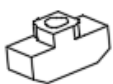
4040 Conner Aluminum
x12



(M6x20)
x4

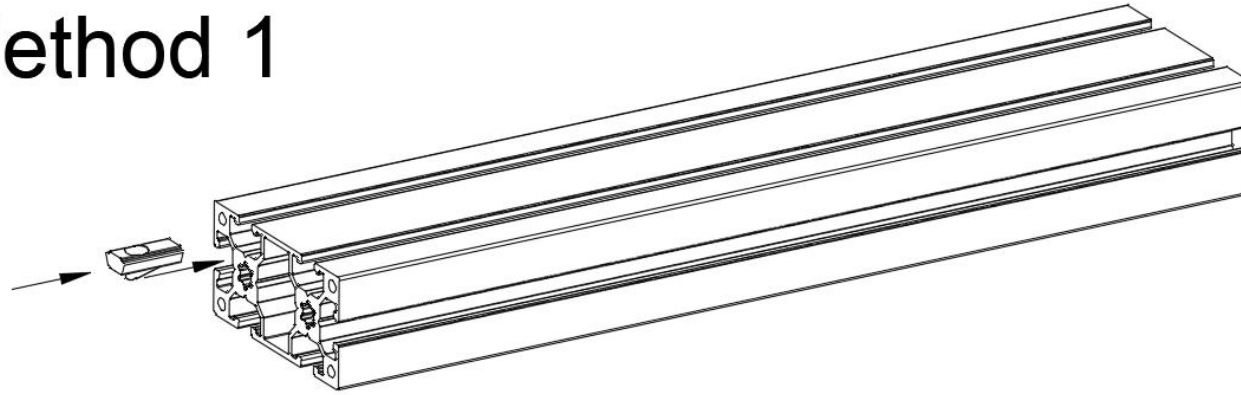


T Nut M6
x4

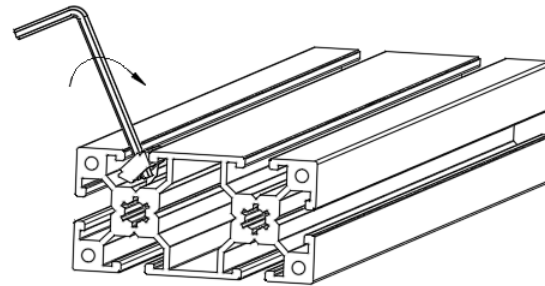


If you are missing any parts, please contact our customer support team who can assist!

Method 1



Method 2



(4080 Alu Corner)
x2



(M8x16)
x4

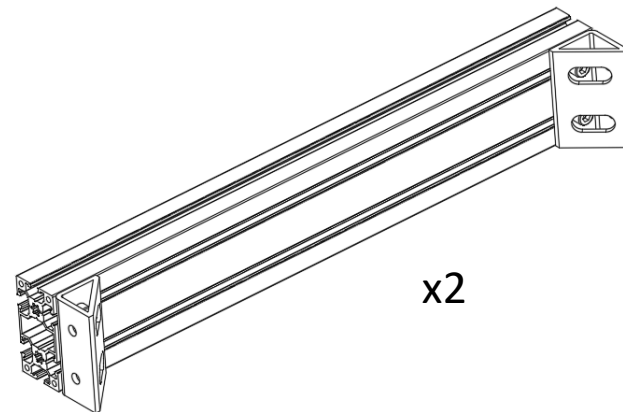
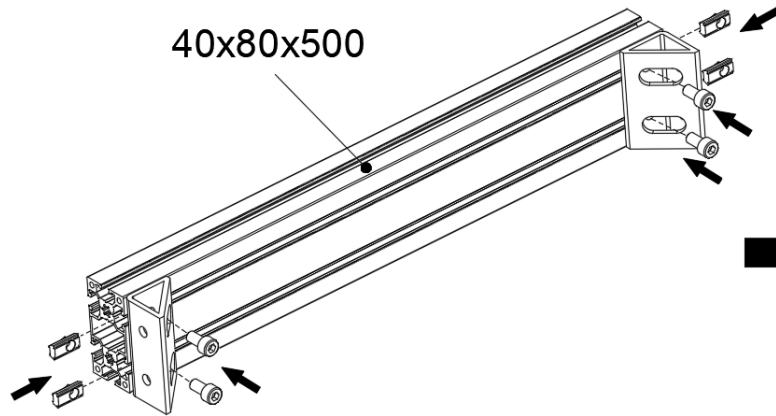


(M8 Nut)
x4



3 x2

40x80x500



(4080 Alu Corner)
x4



(M8x16)
x8

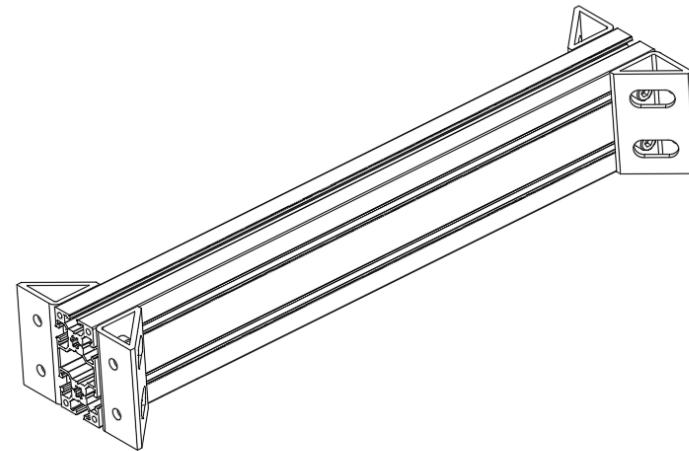
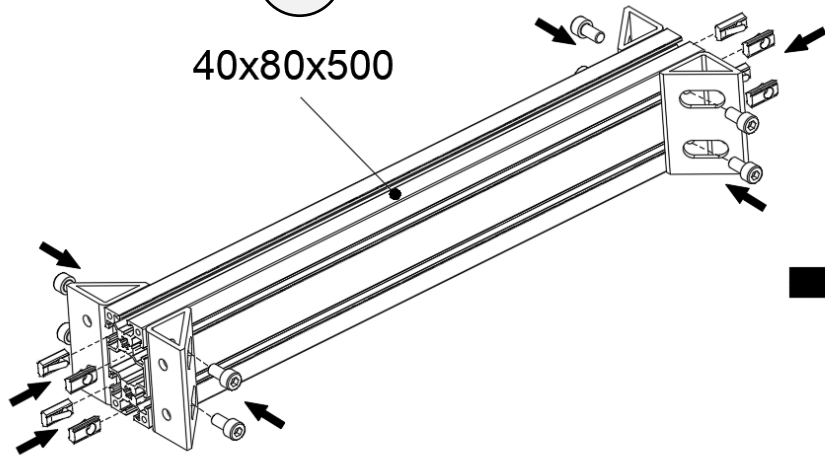



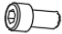

(M8 Nut)
x8

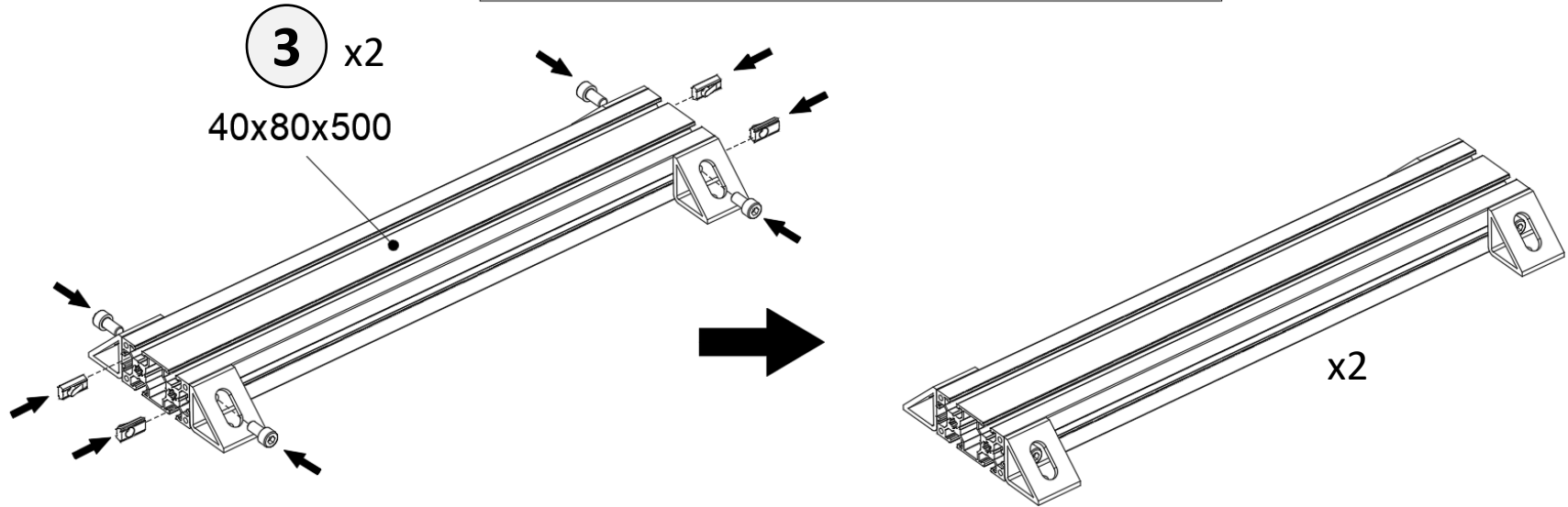



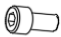

3 x1

40x80x500



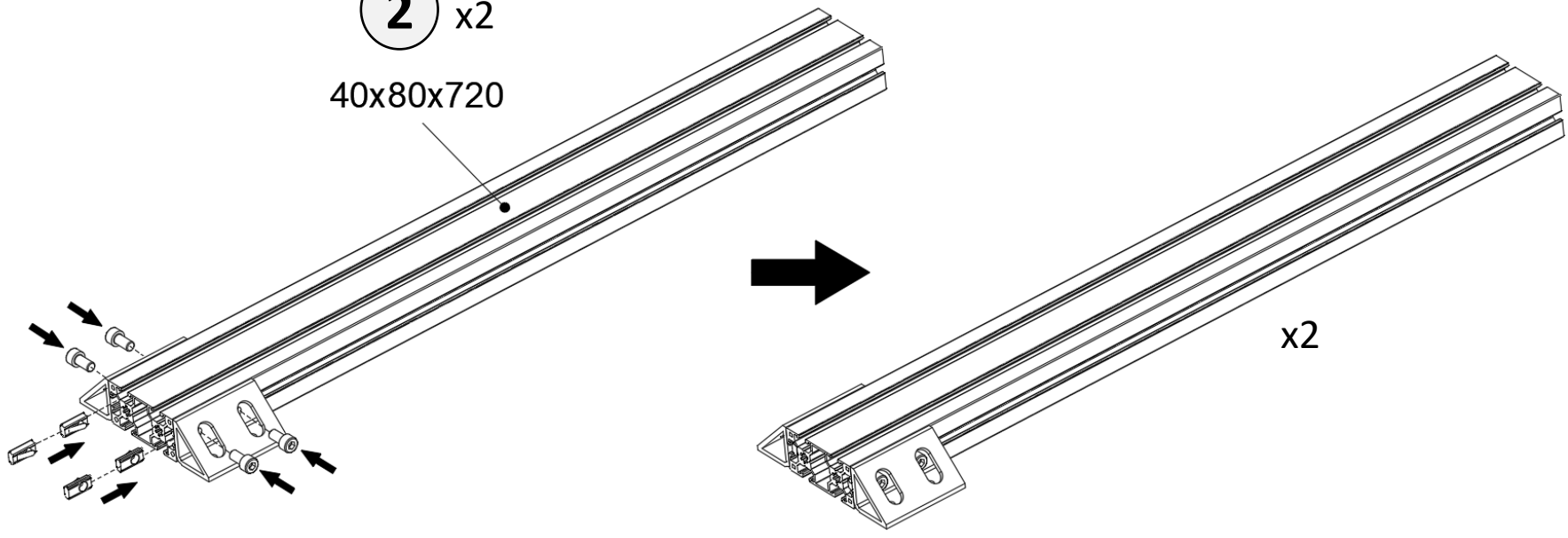
(4040 Alu Corner) x4	(M8x16) x4	(M8 Nut) x4
		






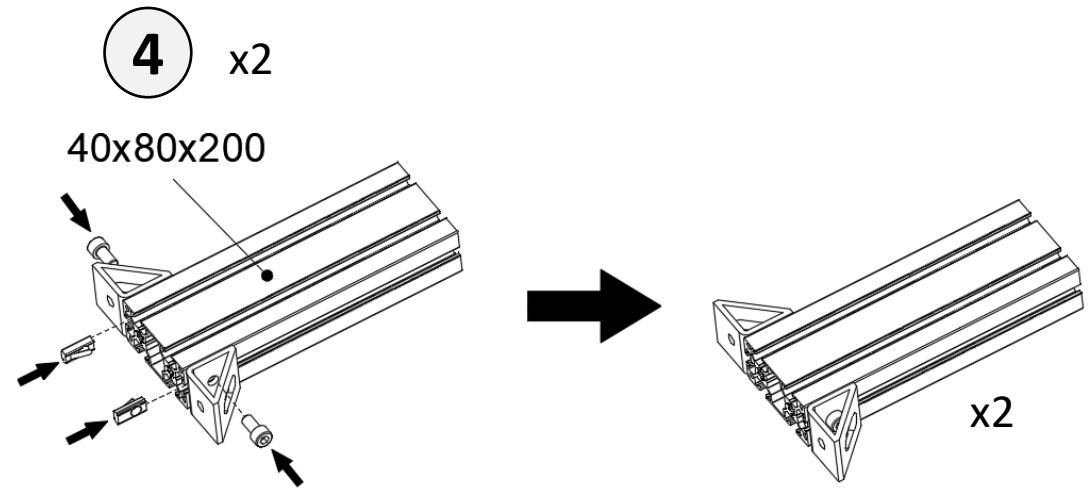
(4080 Alu Corner) x2	(M8x16) x4	(M8 Nut) x4
		



2 x2

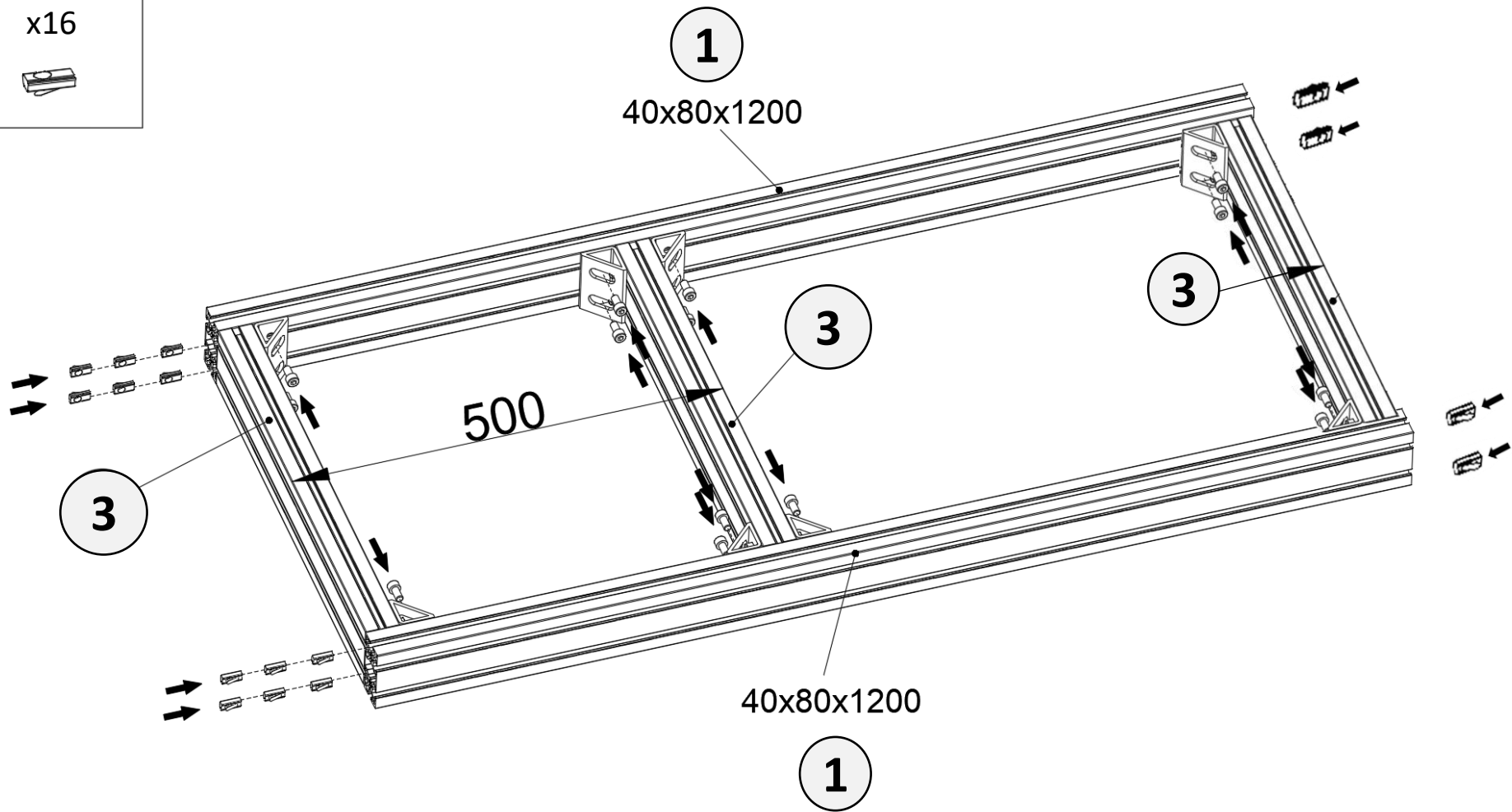
40x80x720



(4040 Alu Corner) x2	(M8x16) x2	(M8 Nut) x2
		



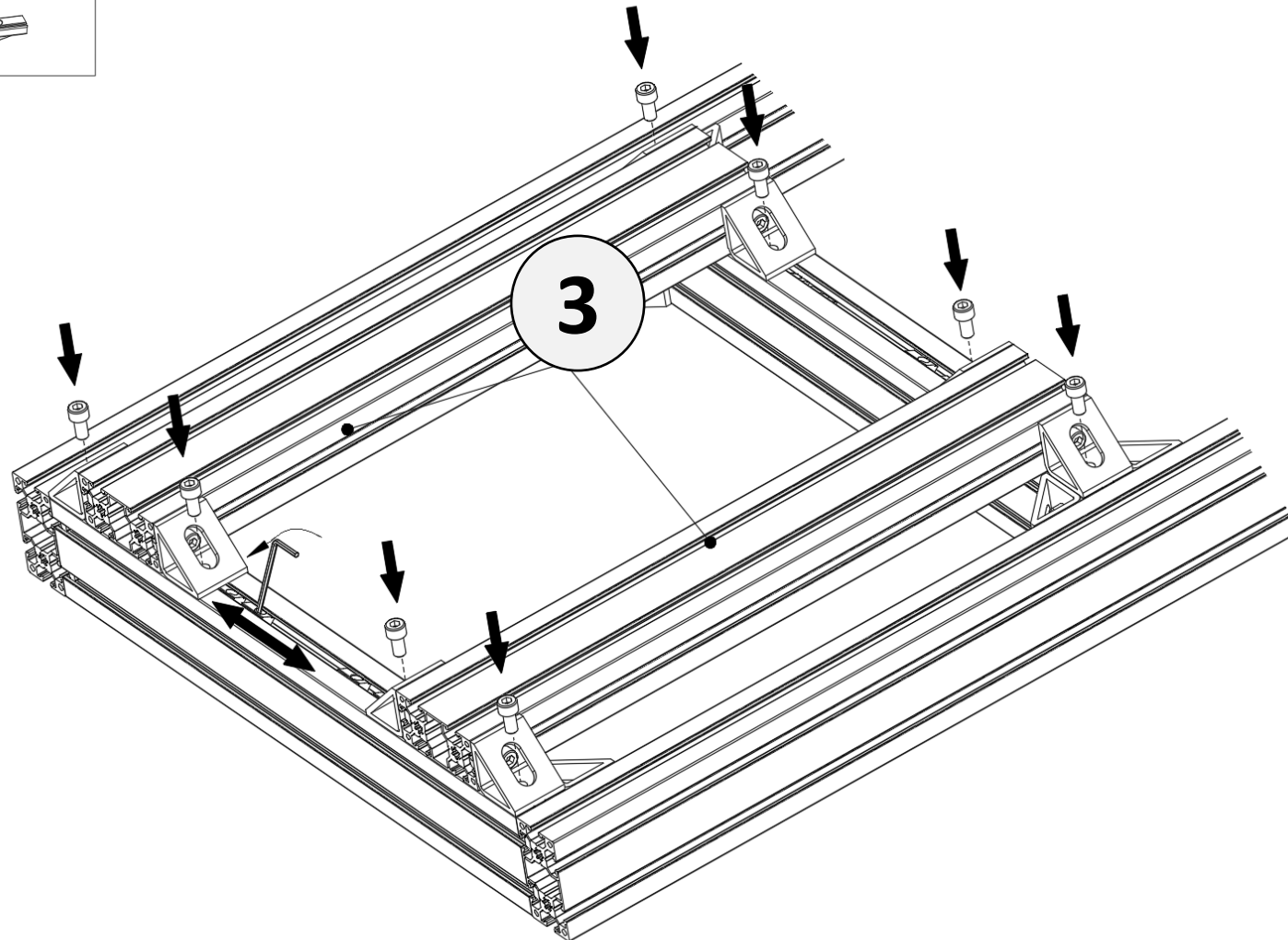
(M8x16) x16	(M8 Nut) x16
	





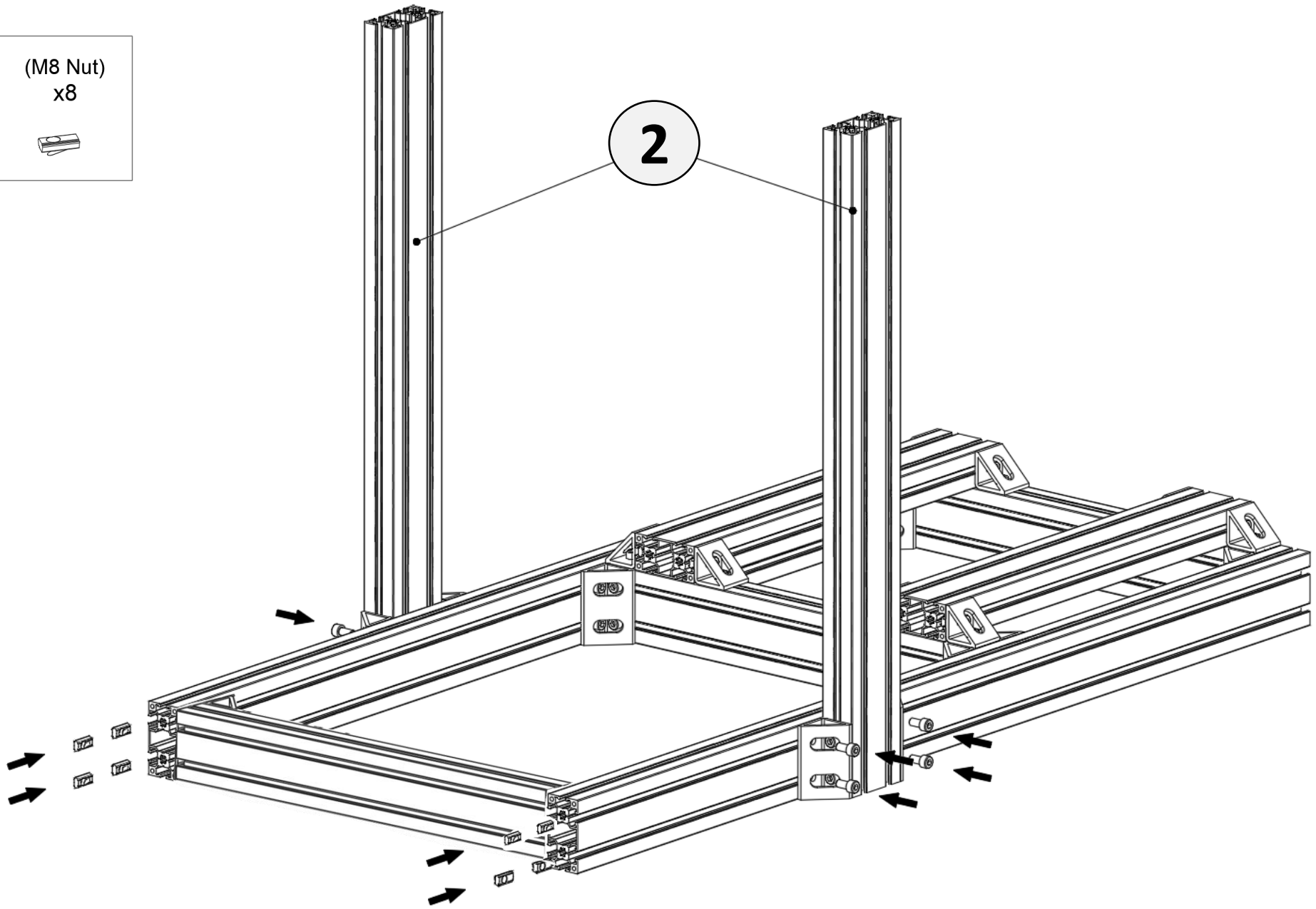
(M8x16)
x8

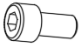



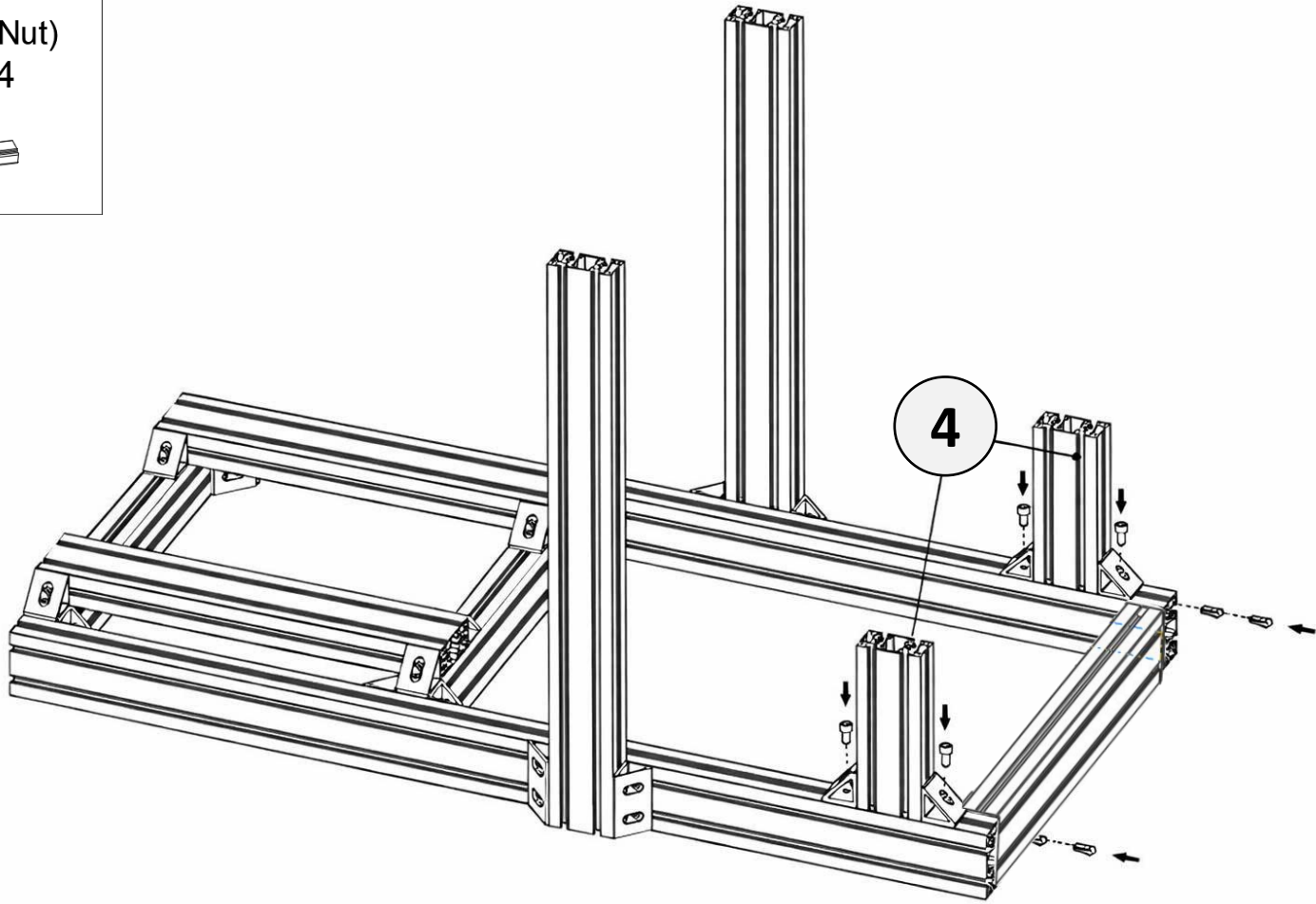
(M8 Nut)
x8

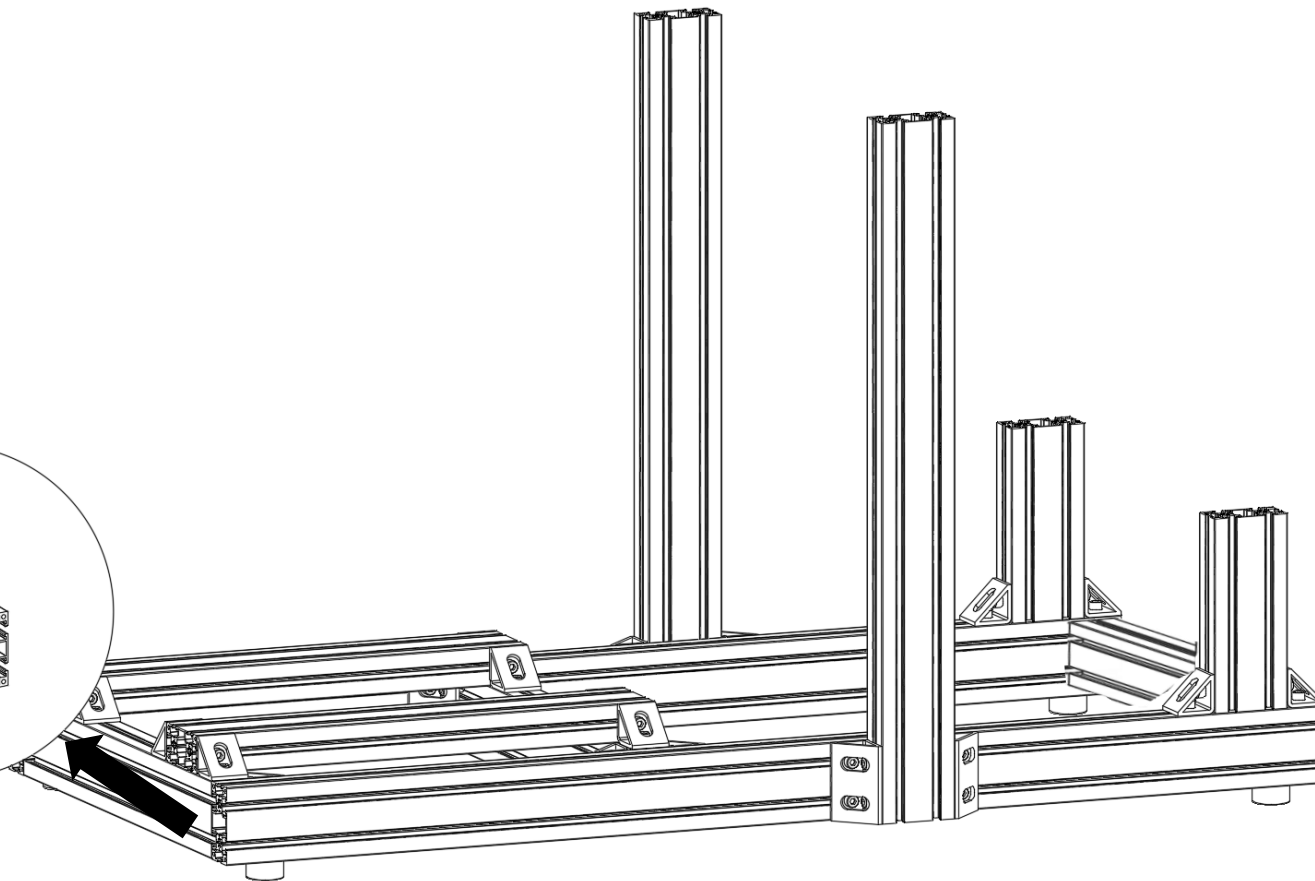
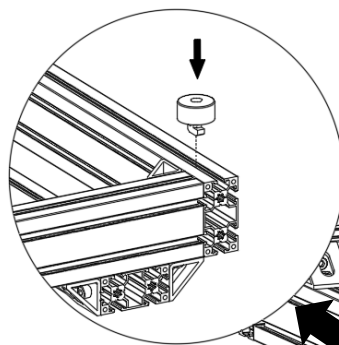
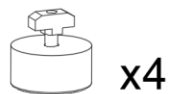
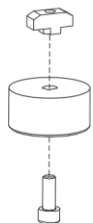
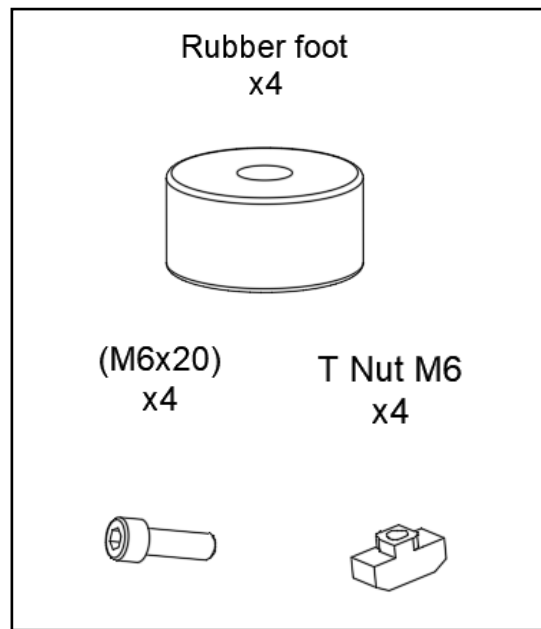


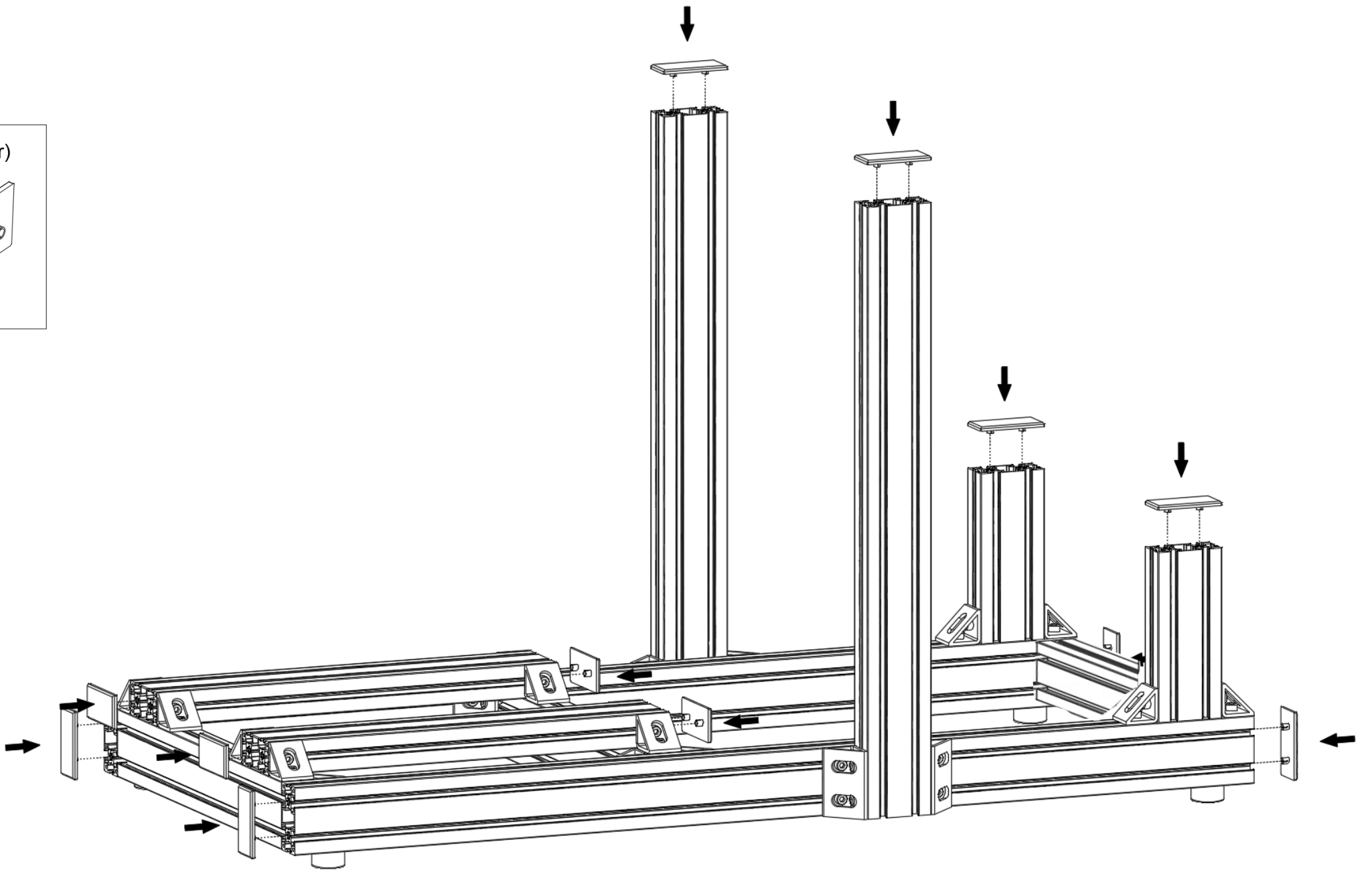
(M8x16) x8	(M8 Nut) x8
	

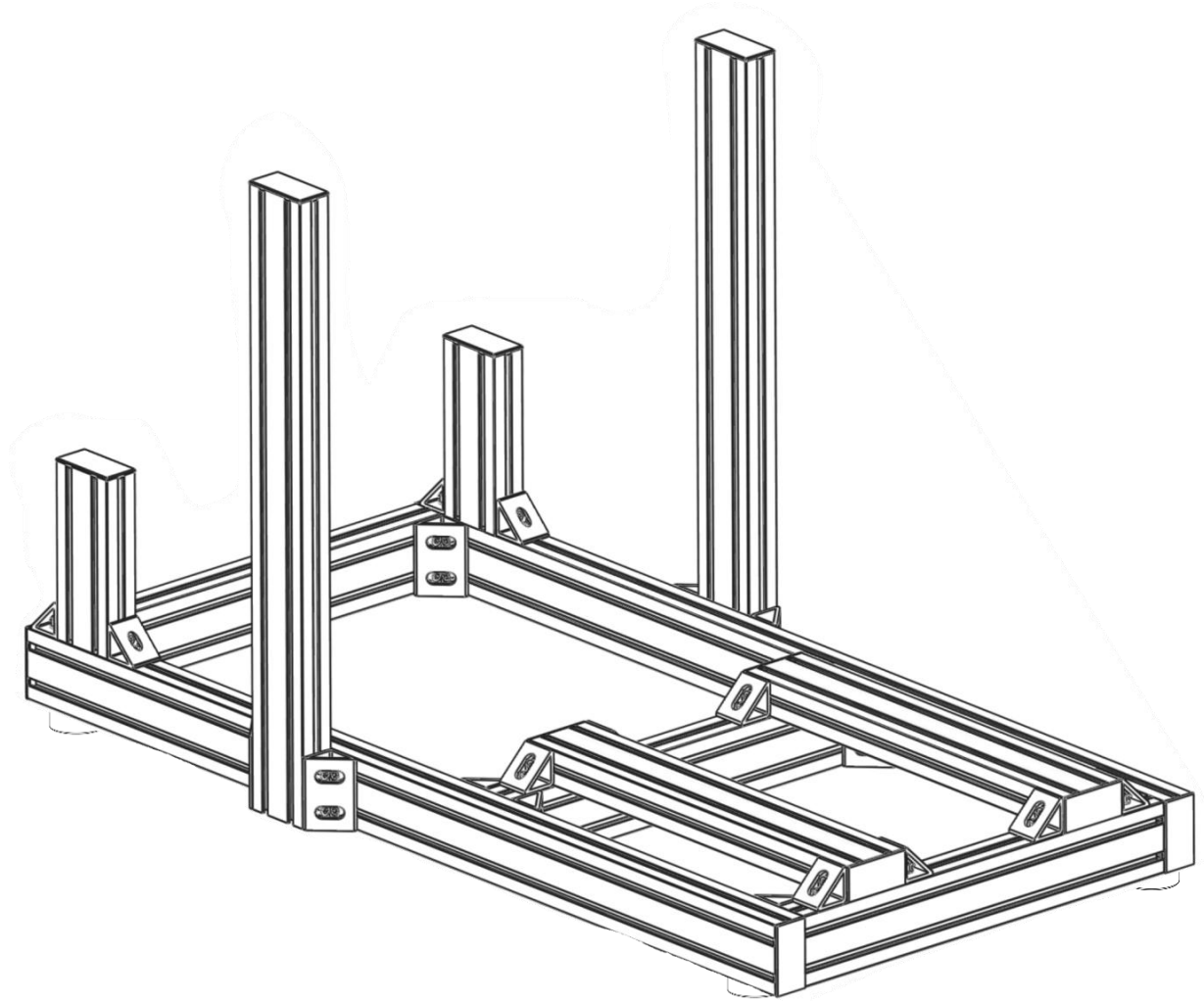


(M8x16) x4	(M8 Nut) x4
	









“Congratulations on completing your rig assembly. If you have any questions or encounter any problems, please contact us for support!”