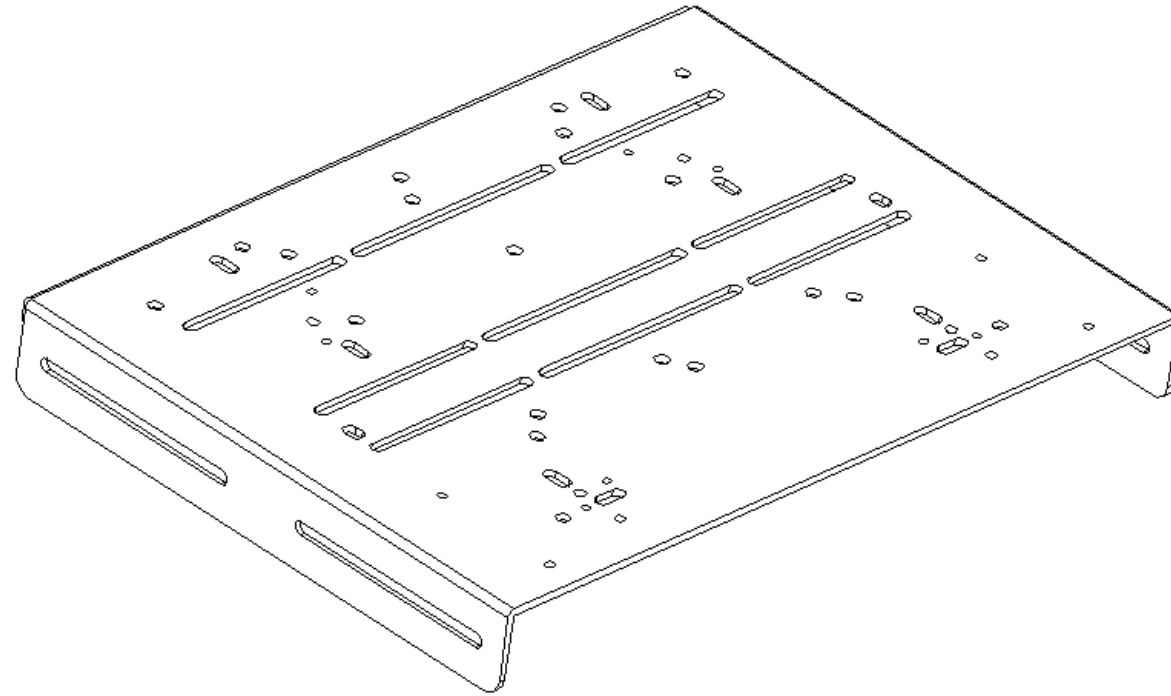




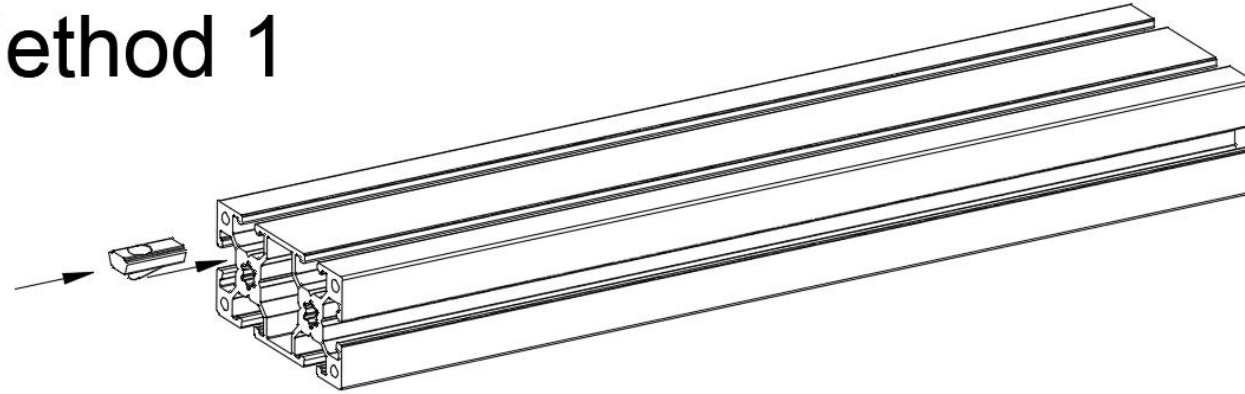
# Quick installation guide

## VNM Pedal Base Plate V3

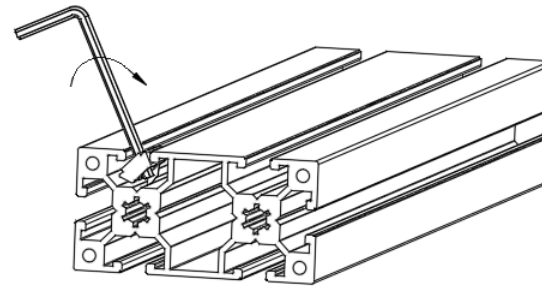
(Used in conjunction with the VNM Rig Platform)



## Method 1



## Method 2

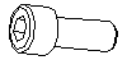


## 4040 Conner Aluminum

x 2



(M8x20)  
x2



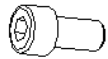
(Nut M8)  
x2



(M8)  
x4



(M8x16)  
x4



(Spring 8)  
X4

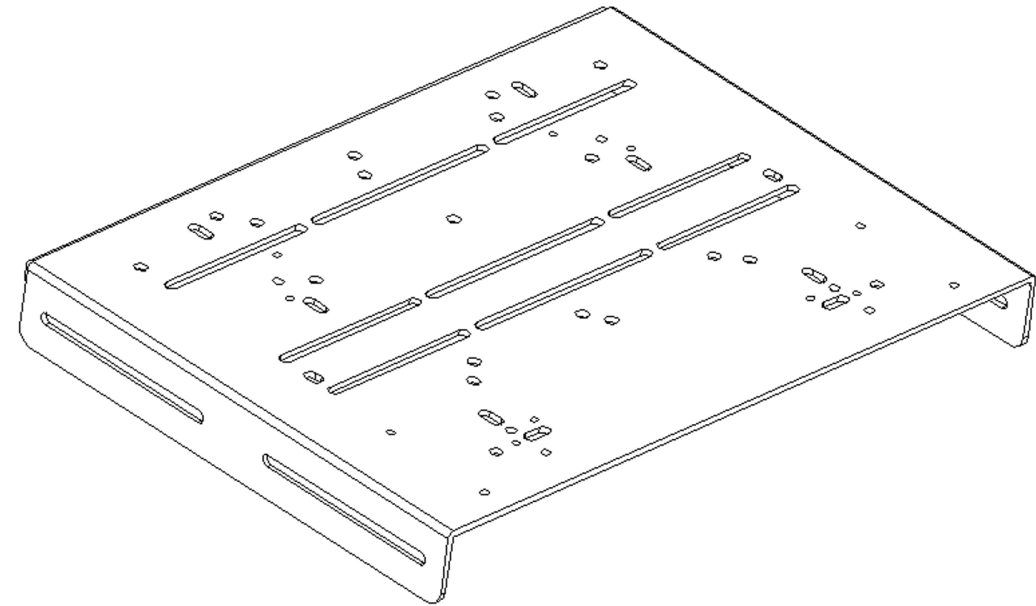


(Washer)  
X4



## Pedal base plate V3

x1

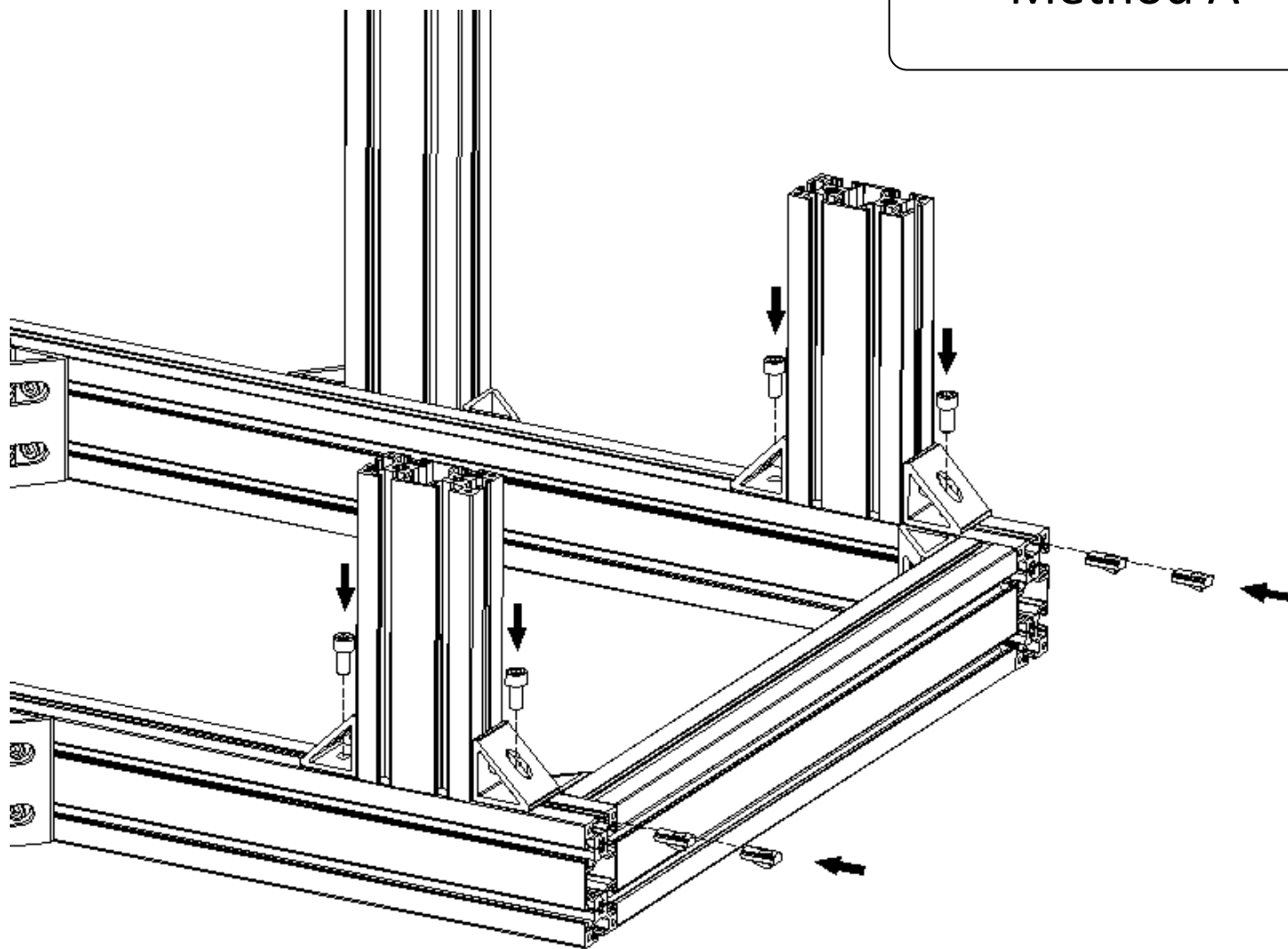






# Method A

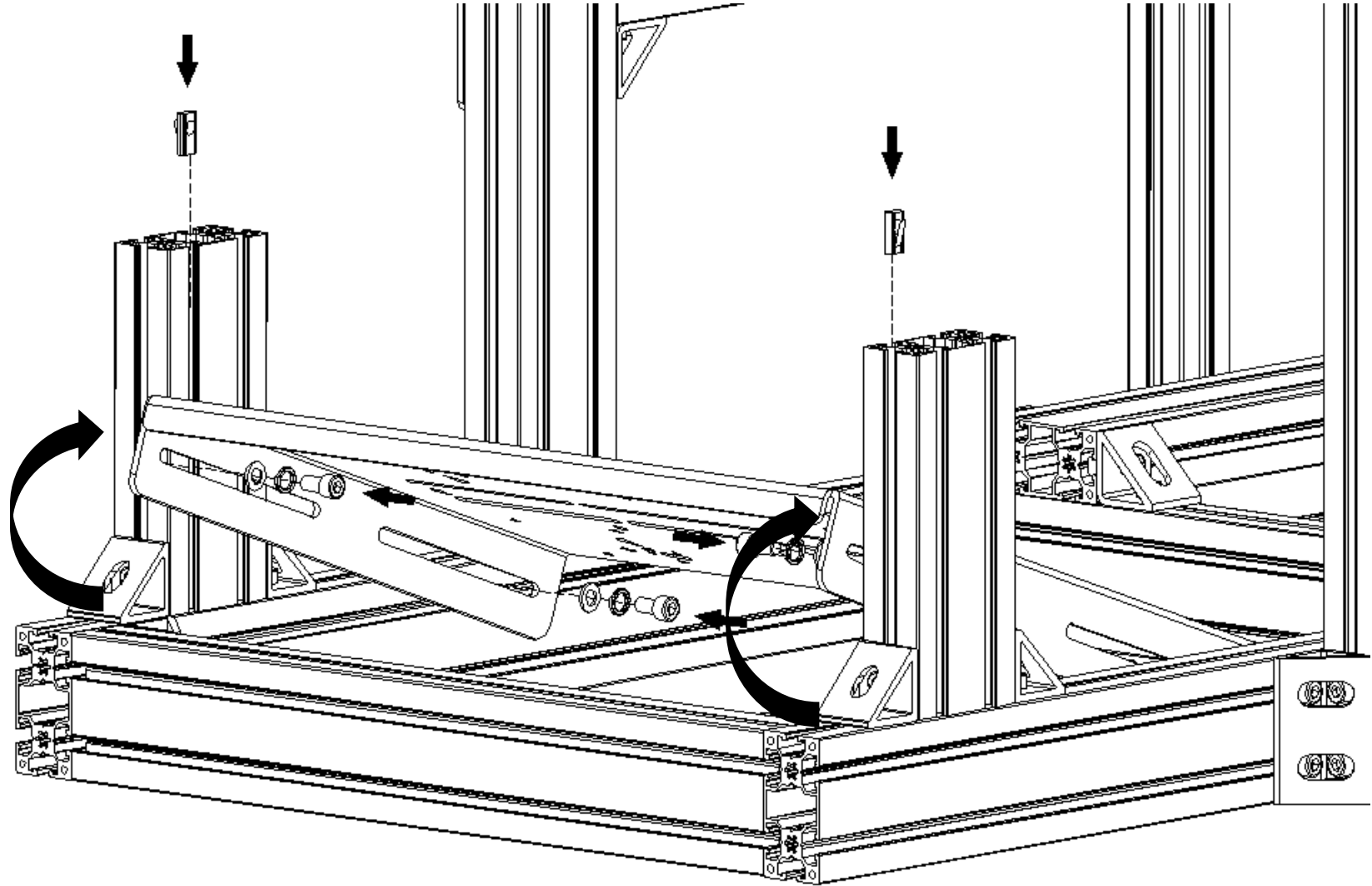
(M8x16)  
x4



(M8 Nut)  
x4



- |   |   |
|---|---|
| (M8x16)<br>x4   | (Spring 8)<br>x4  |
|  |  |
| (Flat 8)<br>x4  | (M8 Nut)<br>x4  |
|  |  |

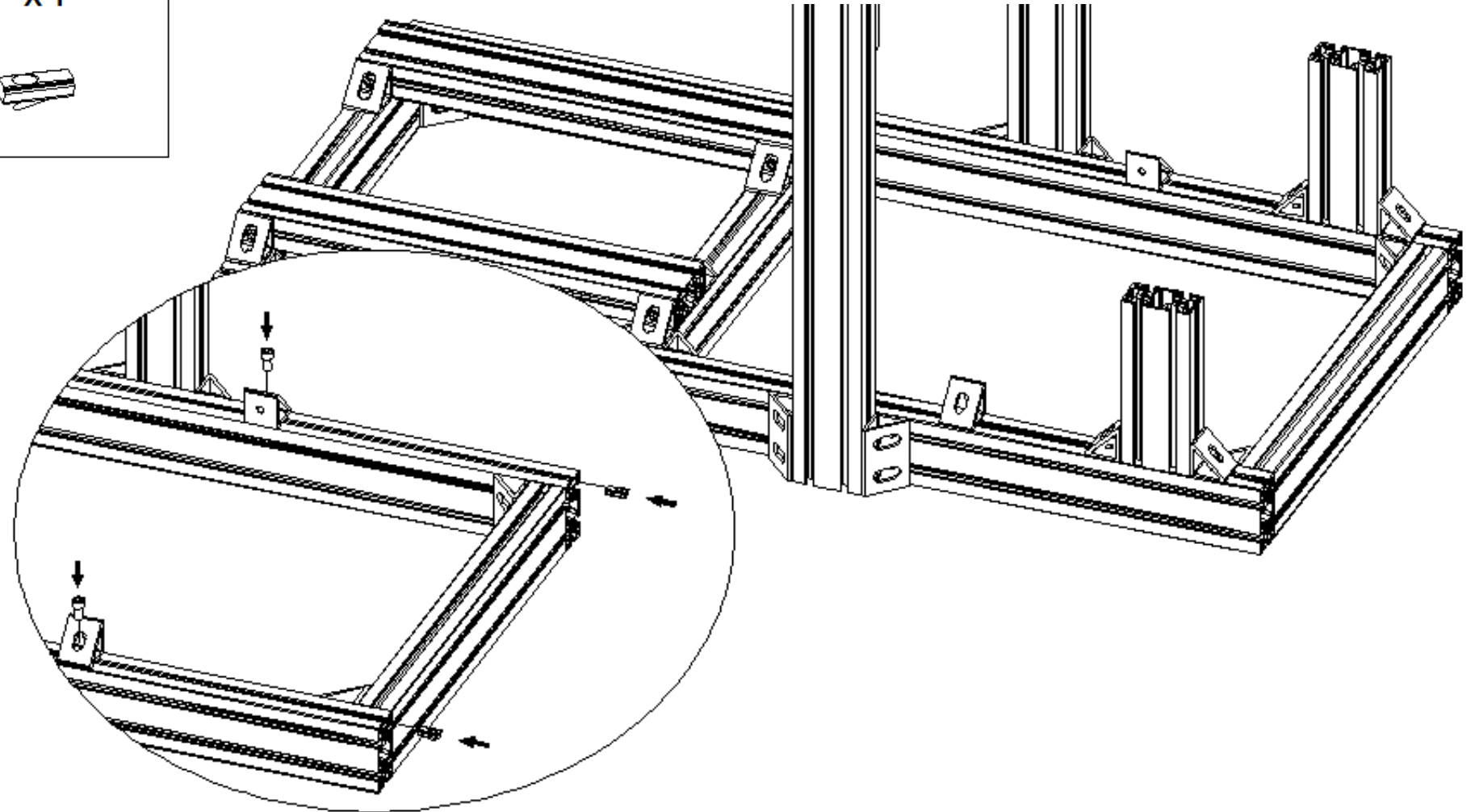








## Method B

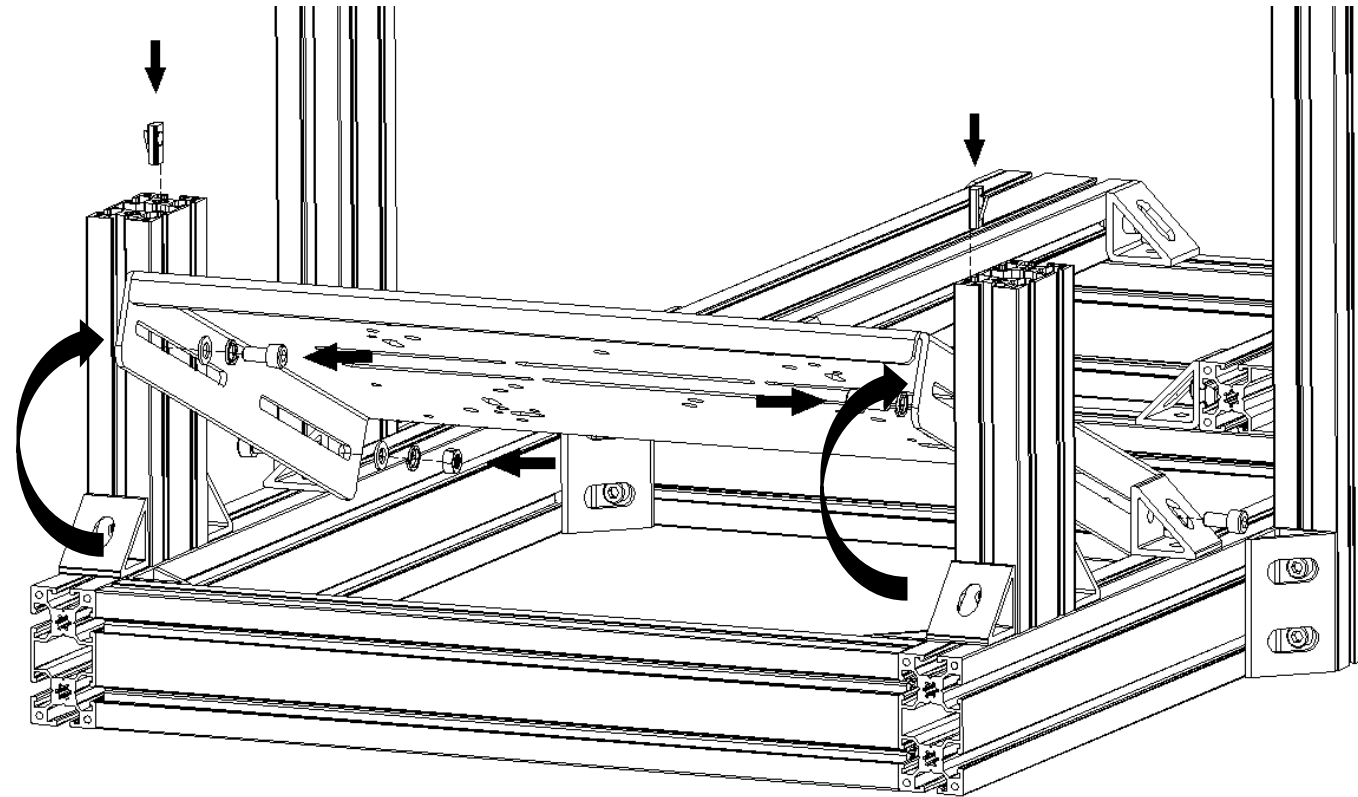
(M8x16)  
x4



(M8 Nut)  
x4



(M8x20) x2	(M8x16) x2	(Spring 8) x4
		
(Flat 8) x4	(M8 Nut) x2	(M8 Nut) x2
		



*“Congratulations on completing your rig assembly. If you have any questions or encounter any problems, please contact us for support!”*