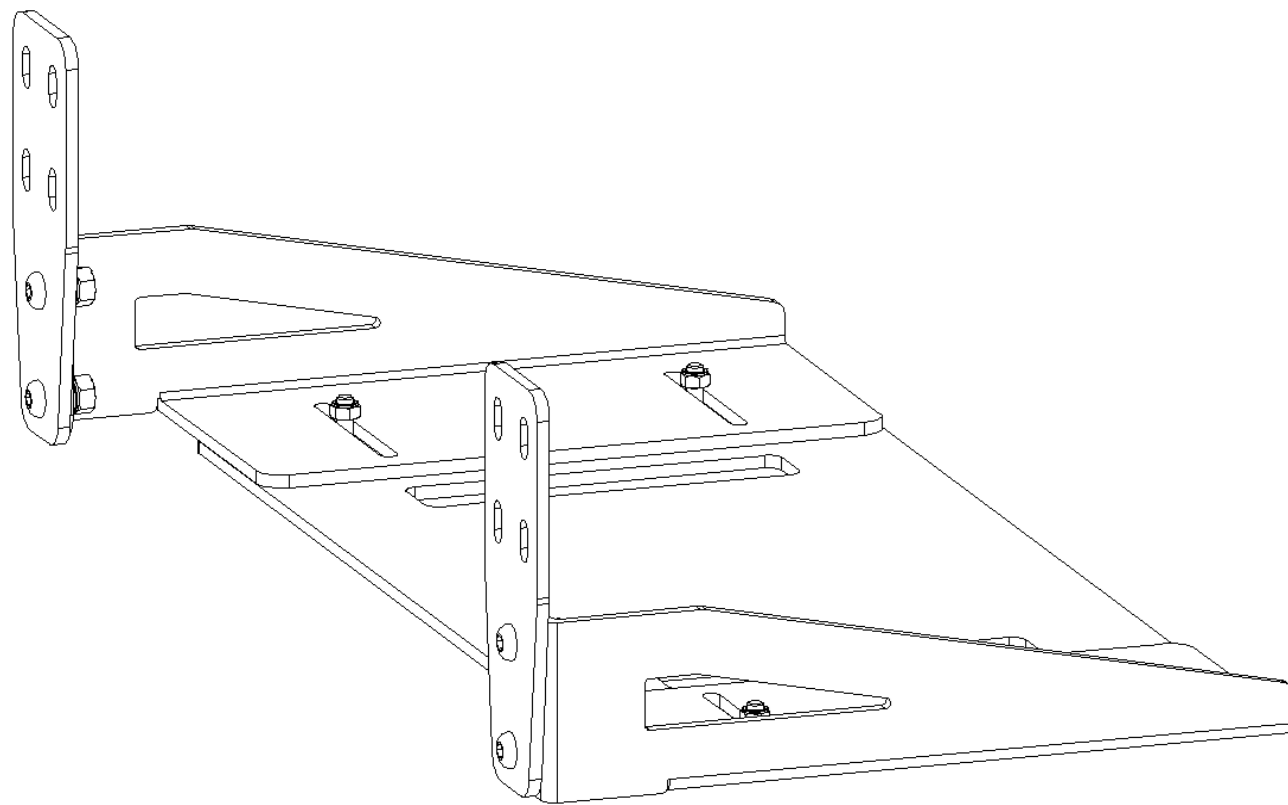




Quick installation guide

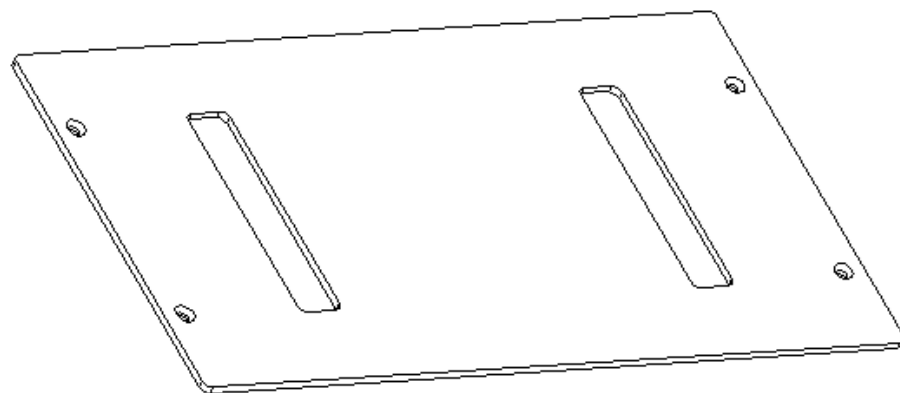
VNM PC Support Bracket



Horizontal Cover
x2



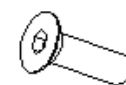
PC Support Plate
x1



(M6 Lock nut)
x4



(M6x20)
x4



(M8)
x8



(Flat 8)
x12



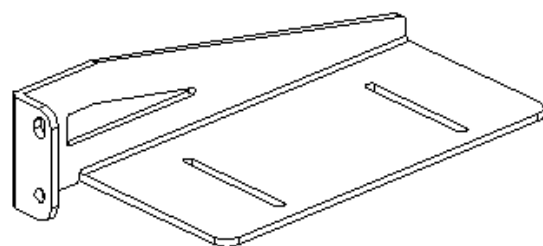
(Spring 8)
x12



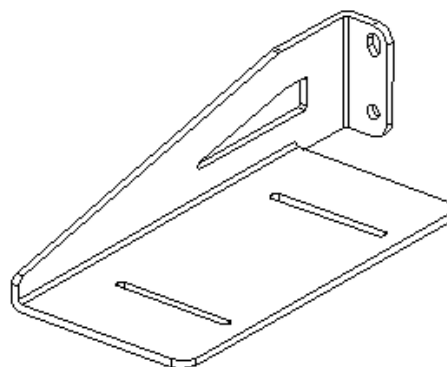
(M8)
x4



Arm Left
x1



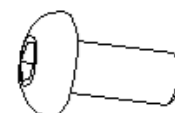
Arm Right
x1



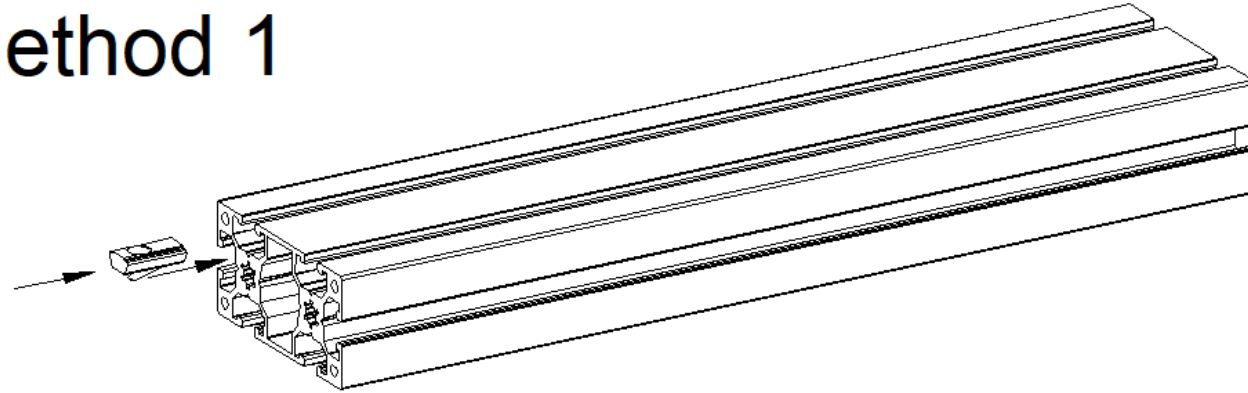
(M8x16)
x8



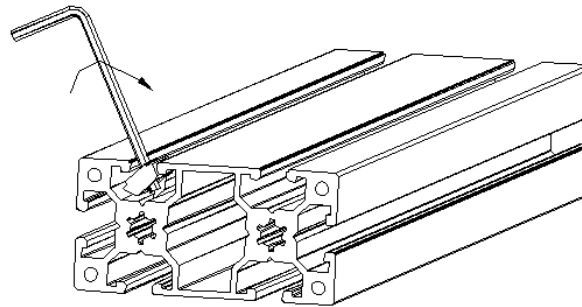
(M8x20)
x4





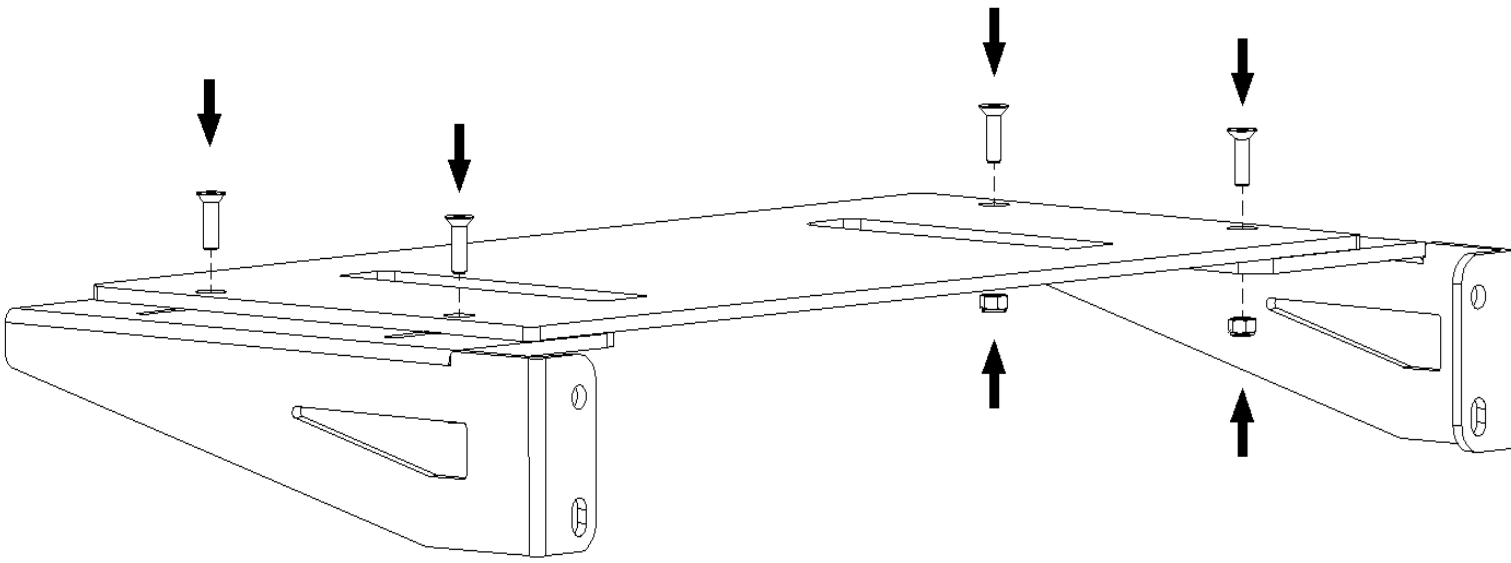
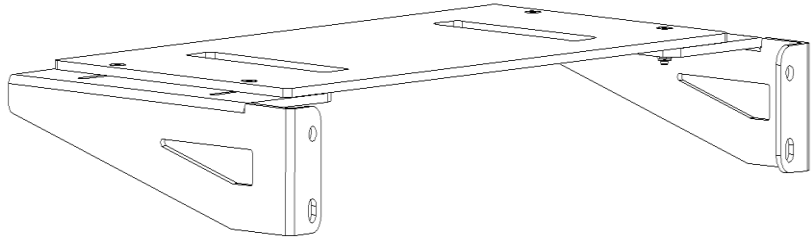
Method 1







Method 2

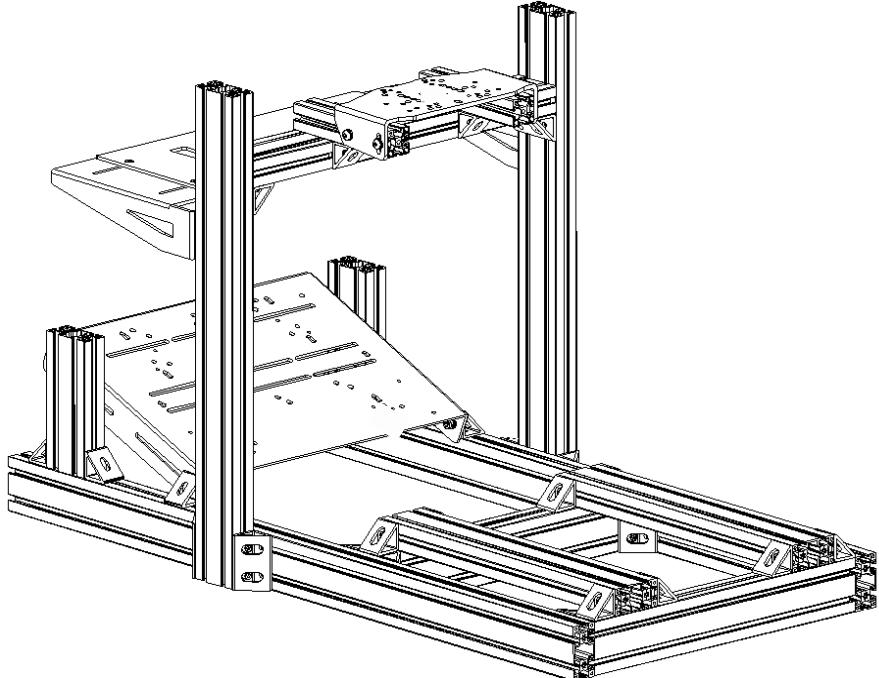
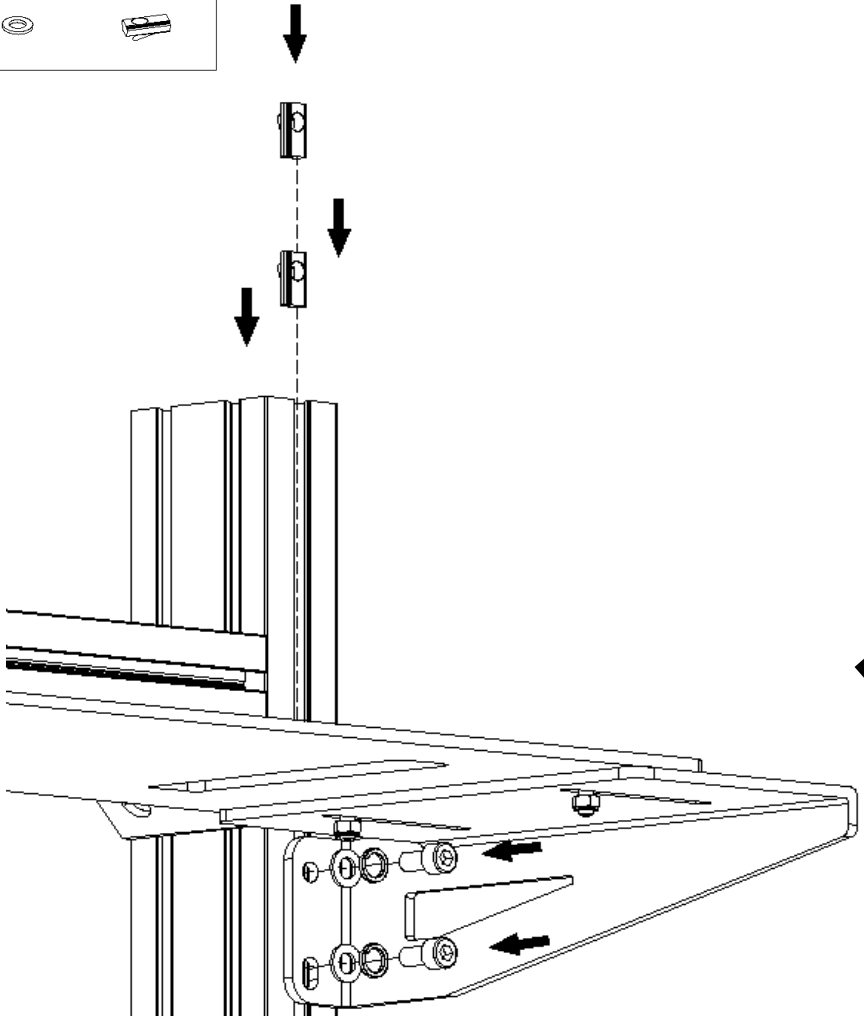


(M6 Lock nut)	(M6x20)
x4	x4
	



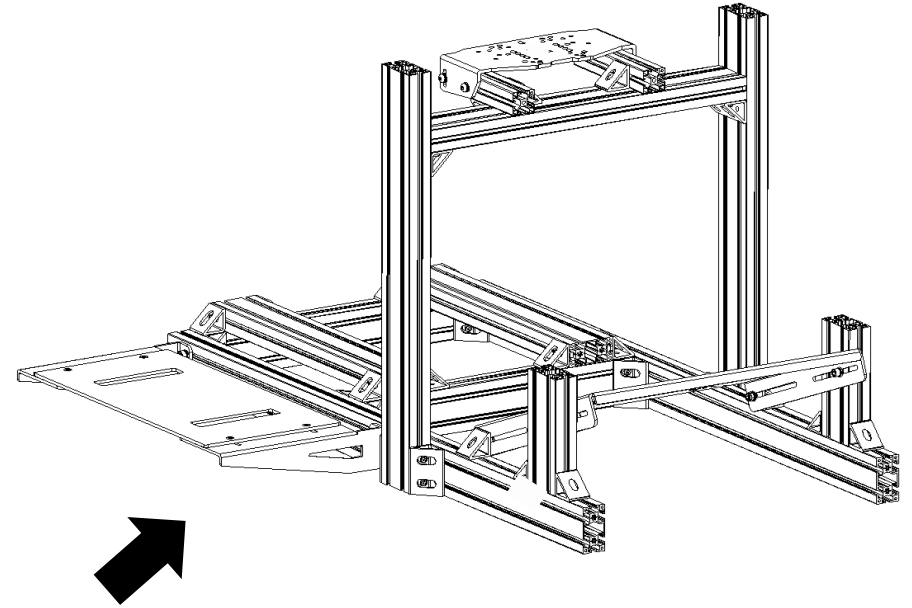
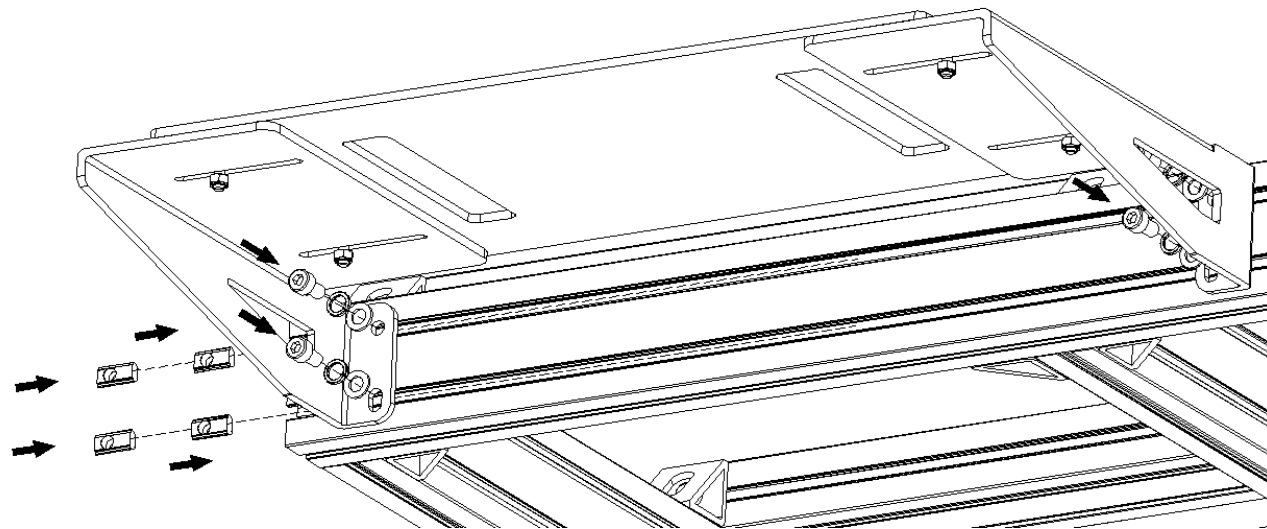
Method 1

- | | | | |
|---|---|---|---|
| (M8x16)
x4 | (Spring 8)
x4 | (Flat 8)
x4 | (M8 Nut)
x4 |
|  |  |  |  |






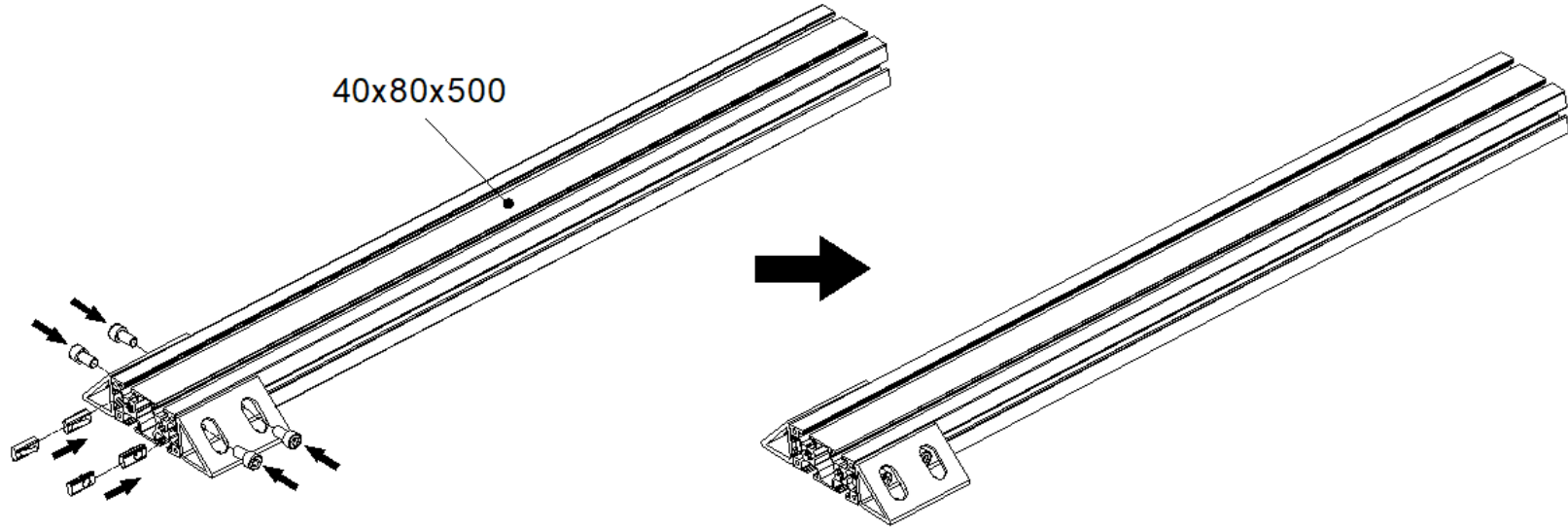
Method 2

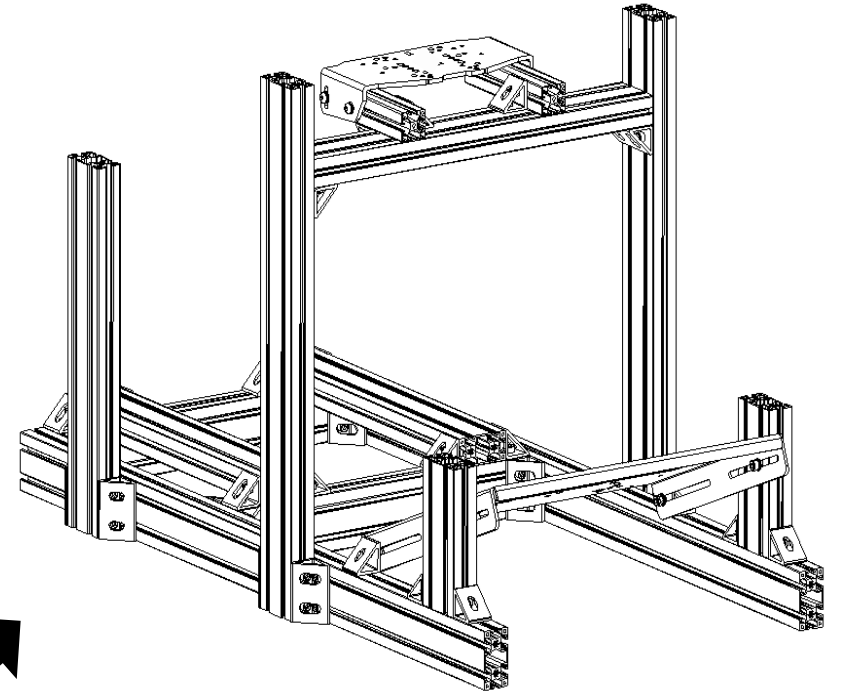
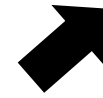
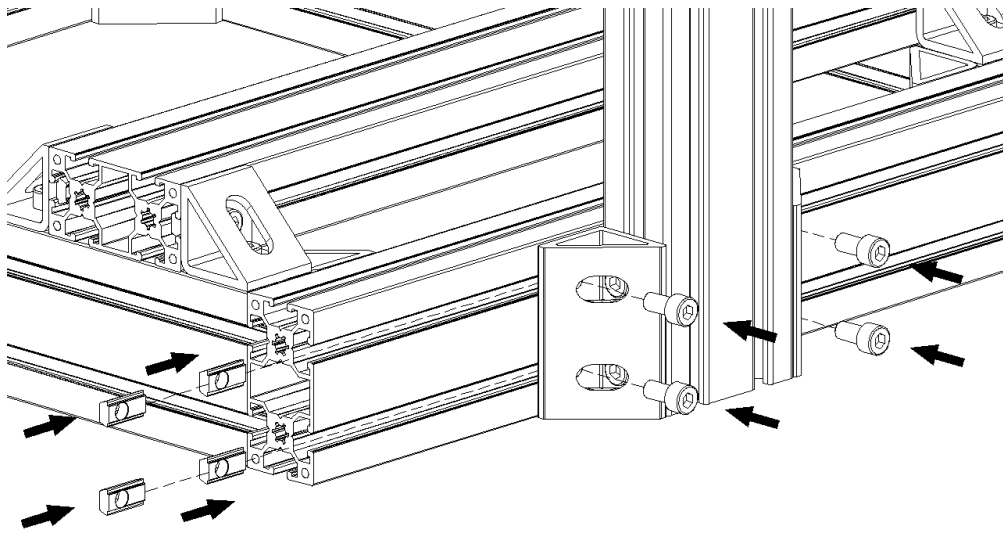
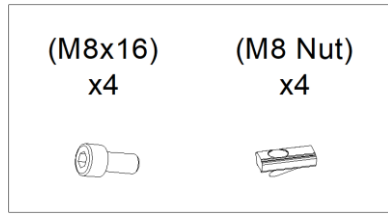
(M8x16) x4 (Spring 8) x4 (Flat 8) x4 (M8 Nut) x4







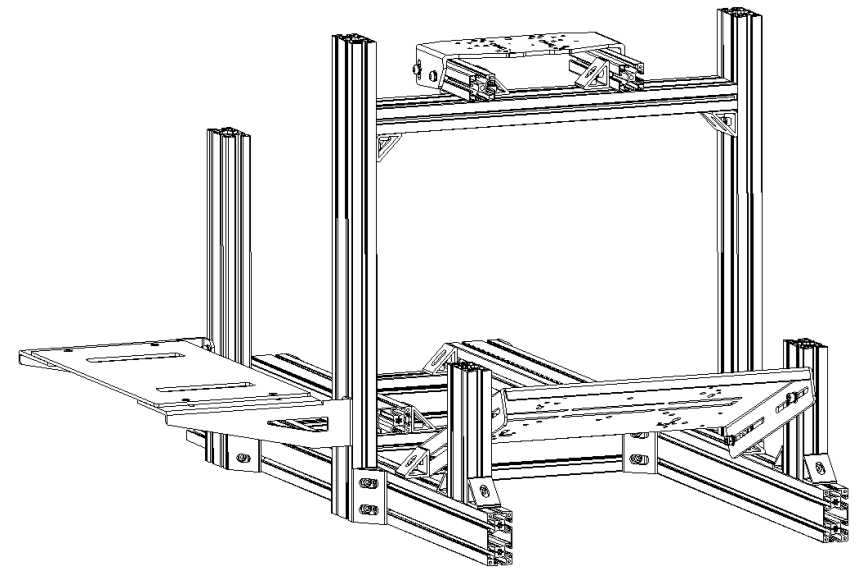
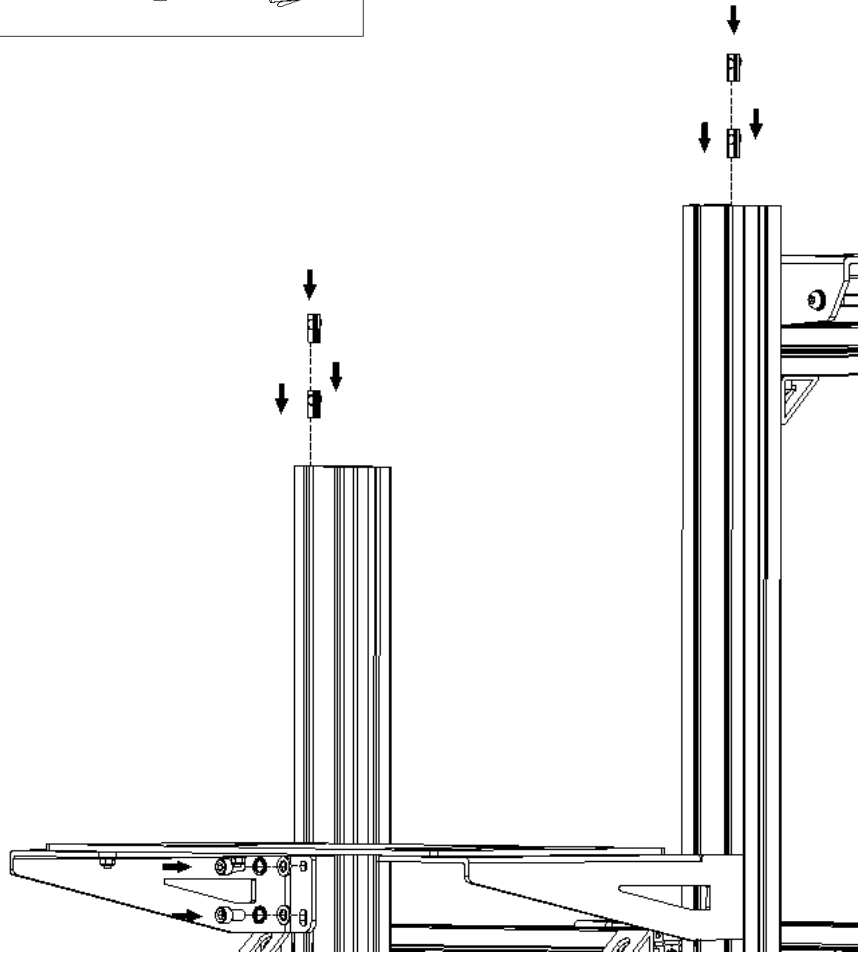
Method 3

- | | | |
|---|---|---|
| (4080 Alu Corner)
x2 | (M8x16)
x4 | (M8 Nut)
x4 |
|  |  |  |





(M8x16) x4	(Spring 8) x4	(Flat 8) x4	(M8 Nut) x4
			



Method 4

(M8x20)
x4



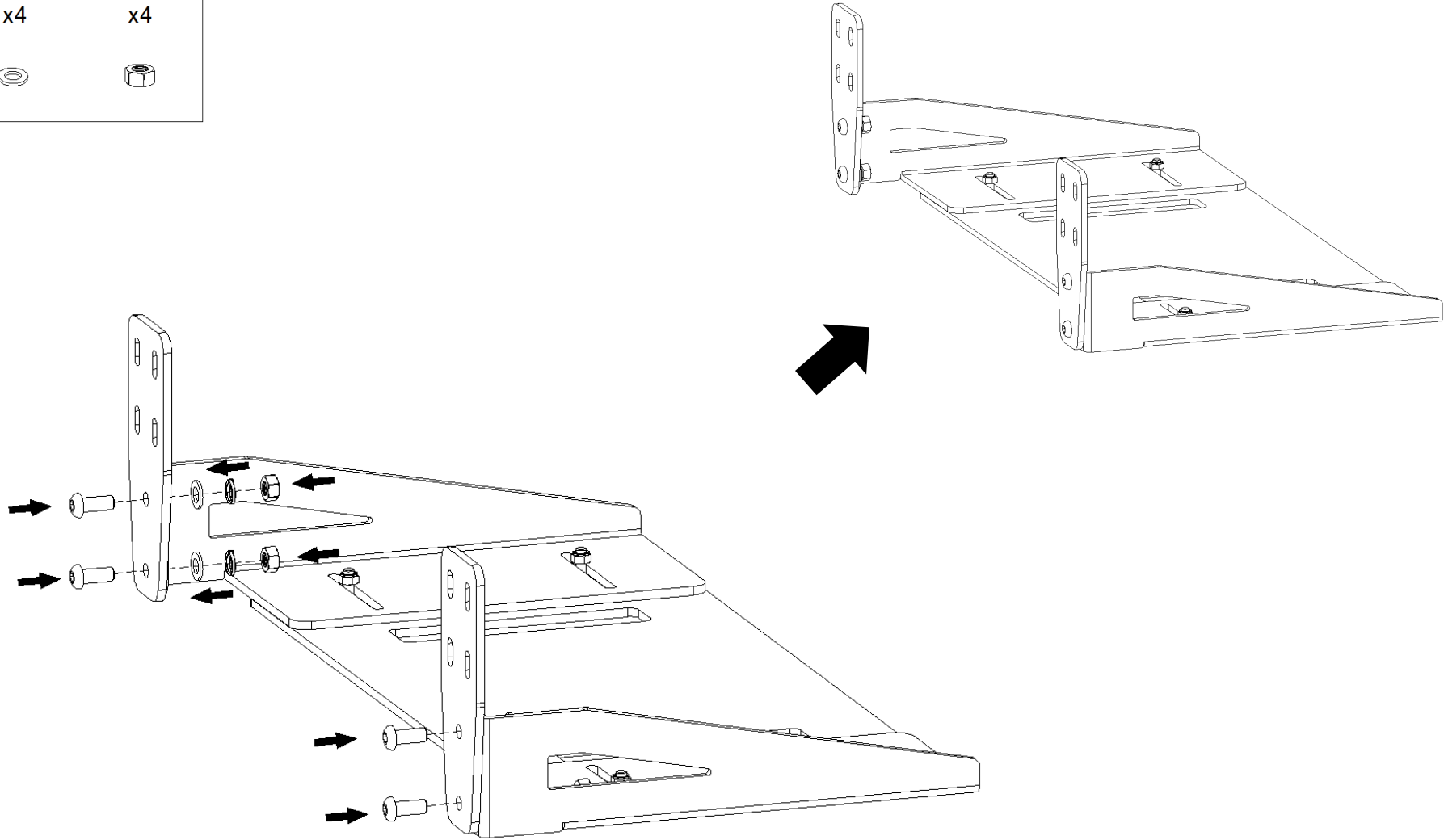
(Spring 8)
x4



(Flat 8)
x4



(M8 Nut)
x4



(M8x16)
x8

(Spring 8)
x8

(Flat 8)
x8

(M8 Nut)
x8

