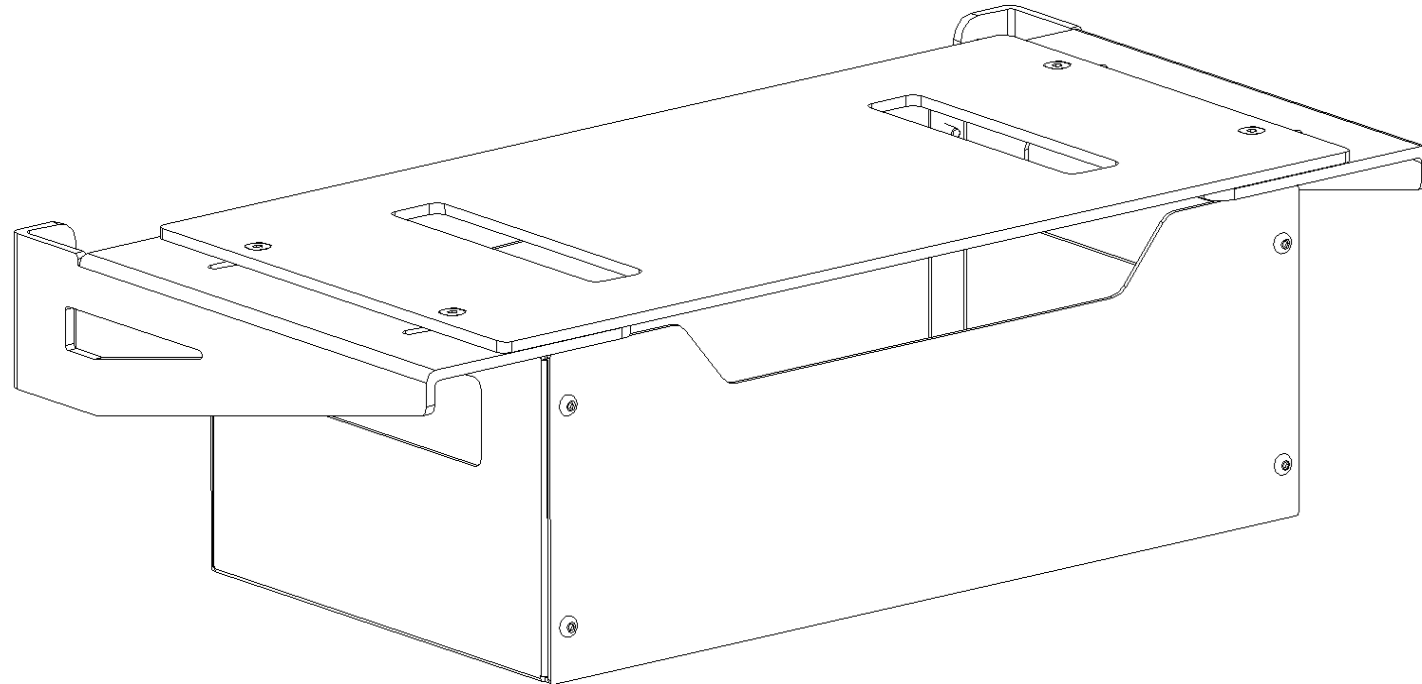




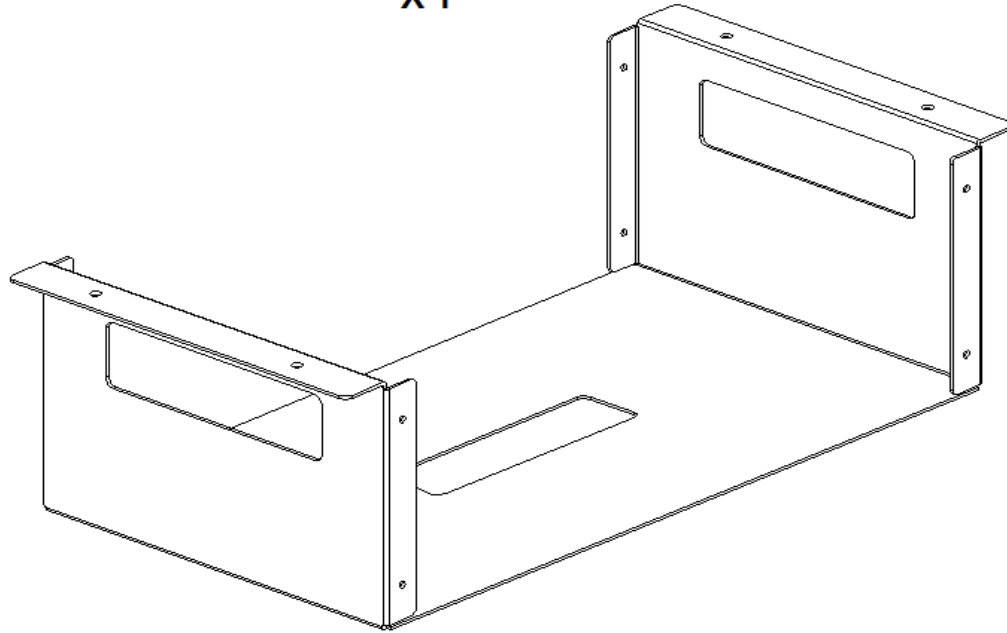
# Quick installation guide

## VNM PC Cable Management

*(Use with VNM PC Support Bracket)*



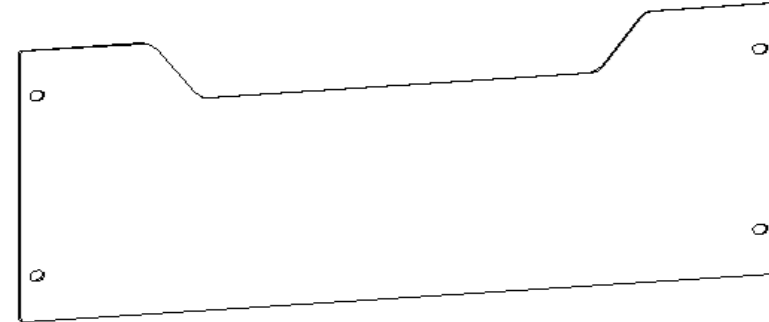
Cable manage body  
x1

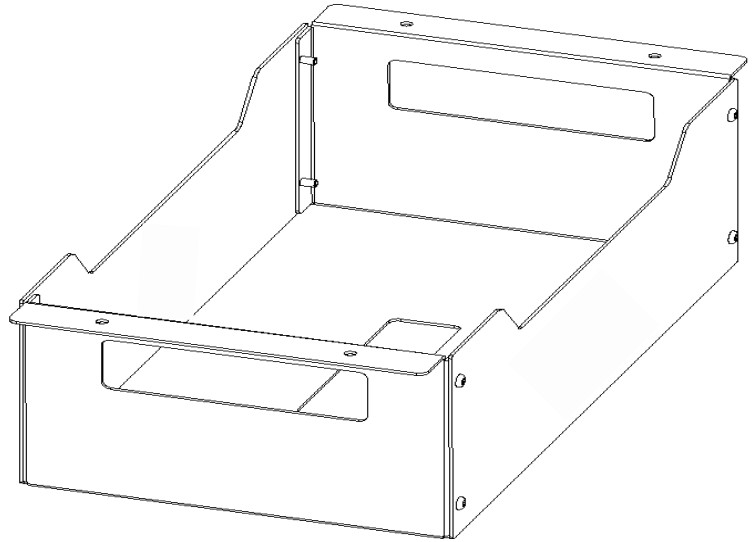
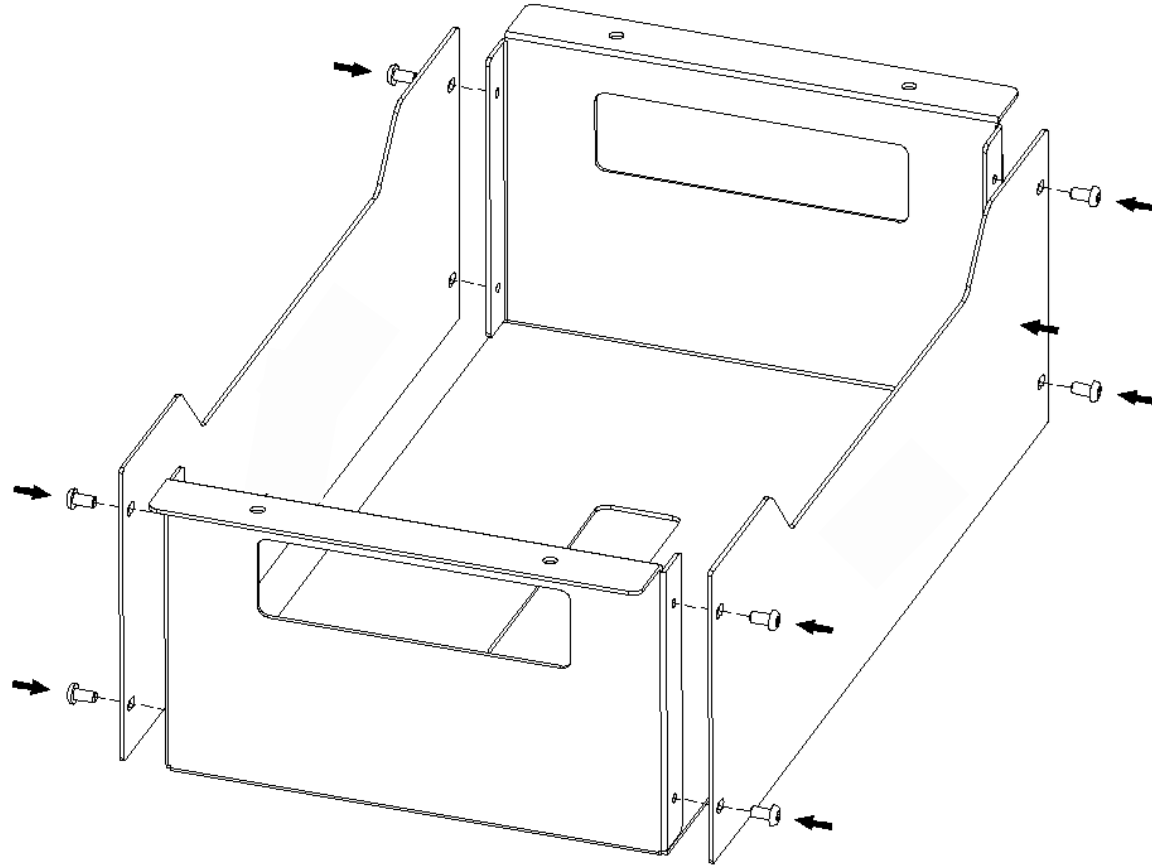
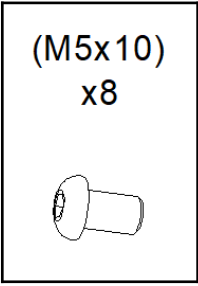


(M5x10)  
x8



Cable Cover  
x2





(M6 Lock nut) x4	(M6x20) x4
