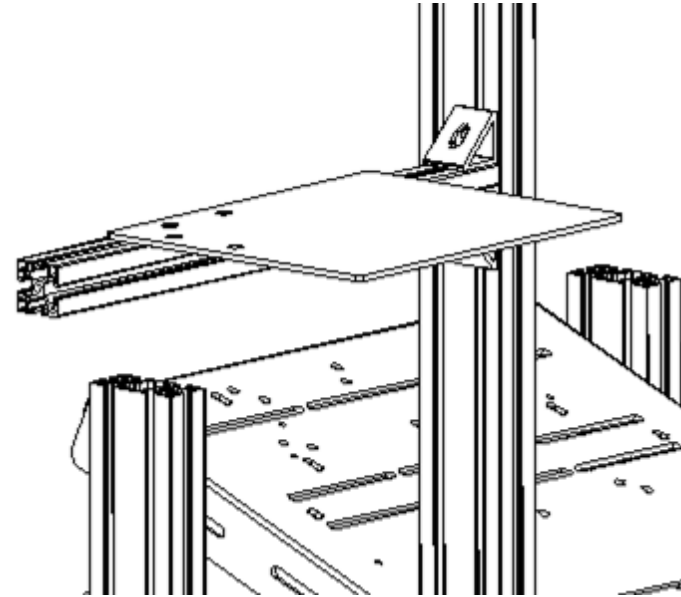
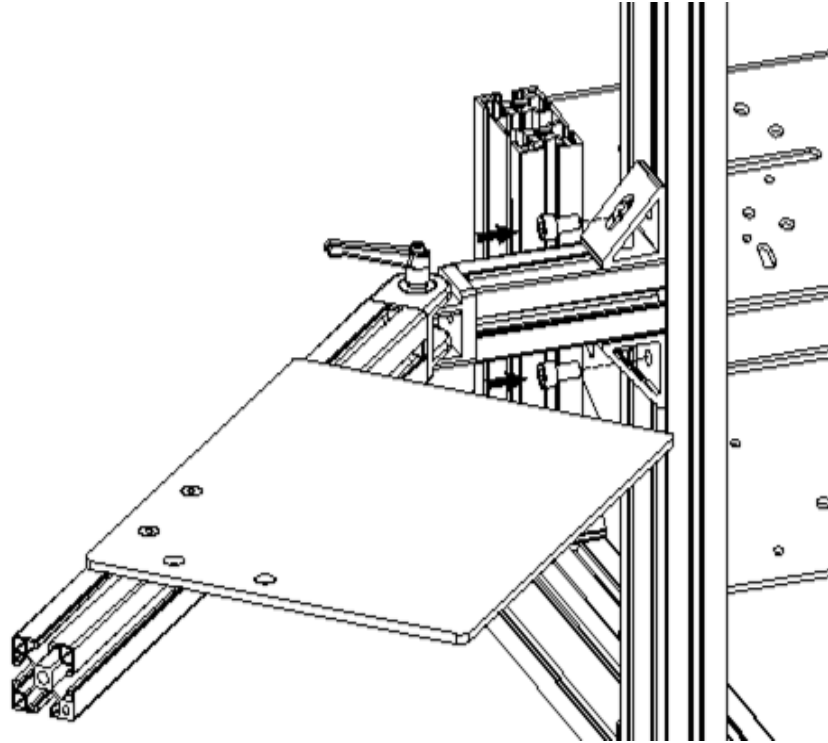
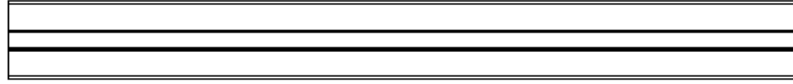




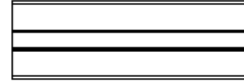
Quick installation guide VNM Rotated & Static Mouse Mount



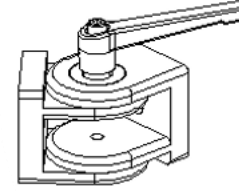
40x40x500
x1



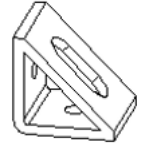
40x40x120
x1



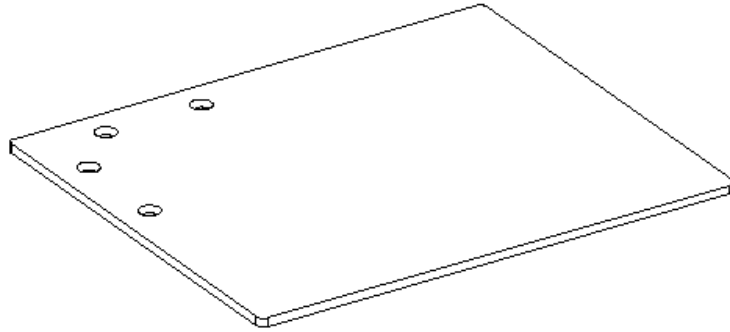
Aluminum pivot joint
x1



4040 Conner Aluminum
x2



Mouse Plate
x1



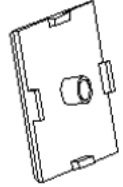
Aluminum positioning
x4



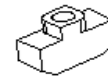
(M6x16)
x2



(Alu Cover 4040)
x1



T Nut M6
x2



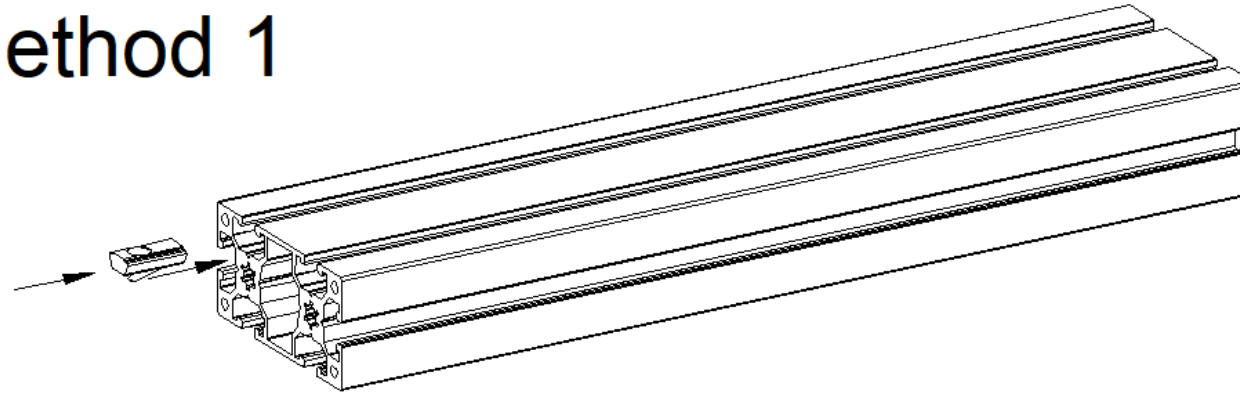
(M8x16)
x6



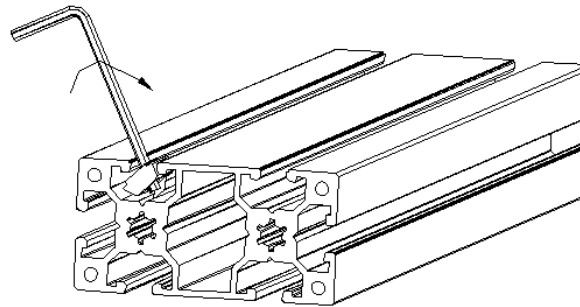
(M8)
x4



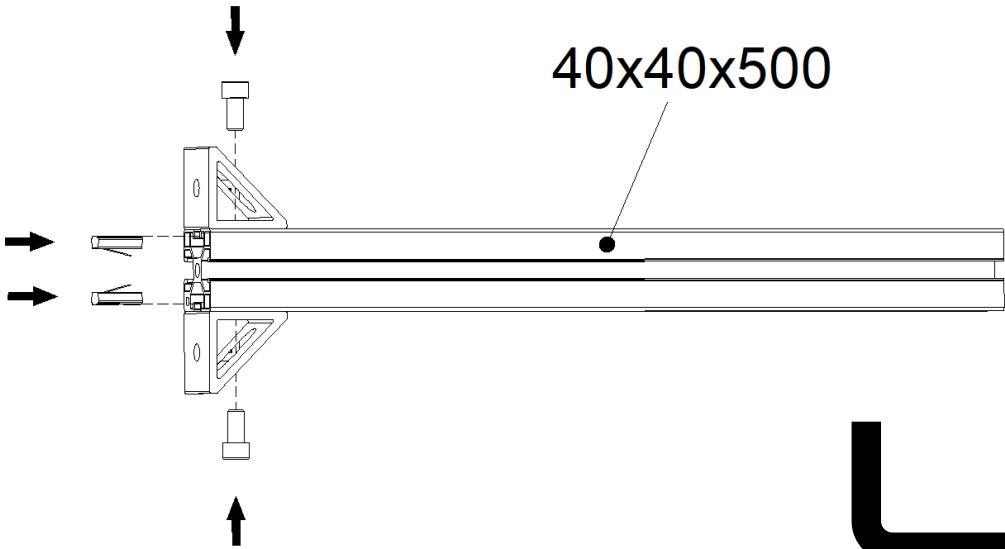
Method 1





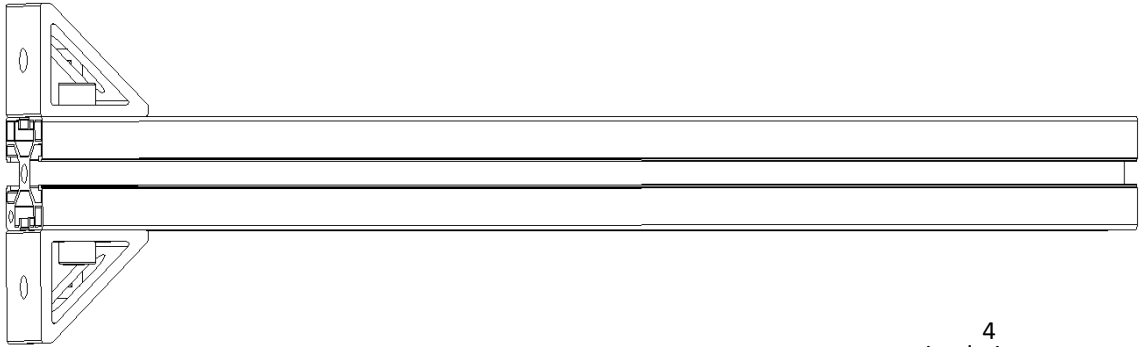
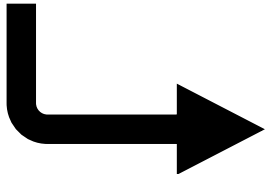
Method 2

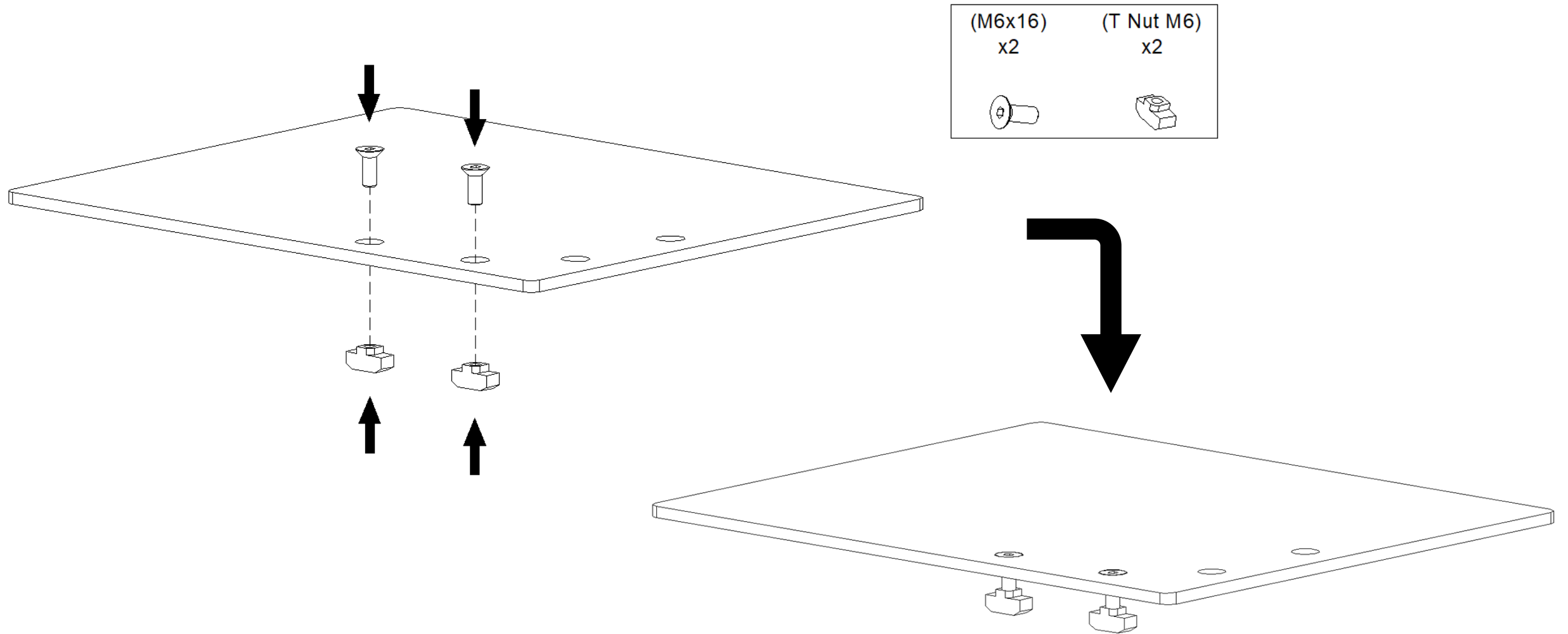


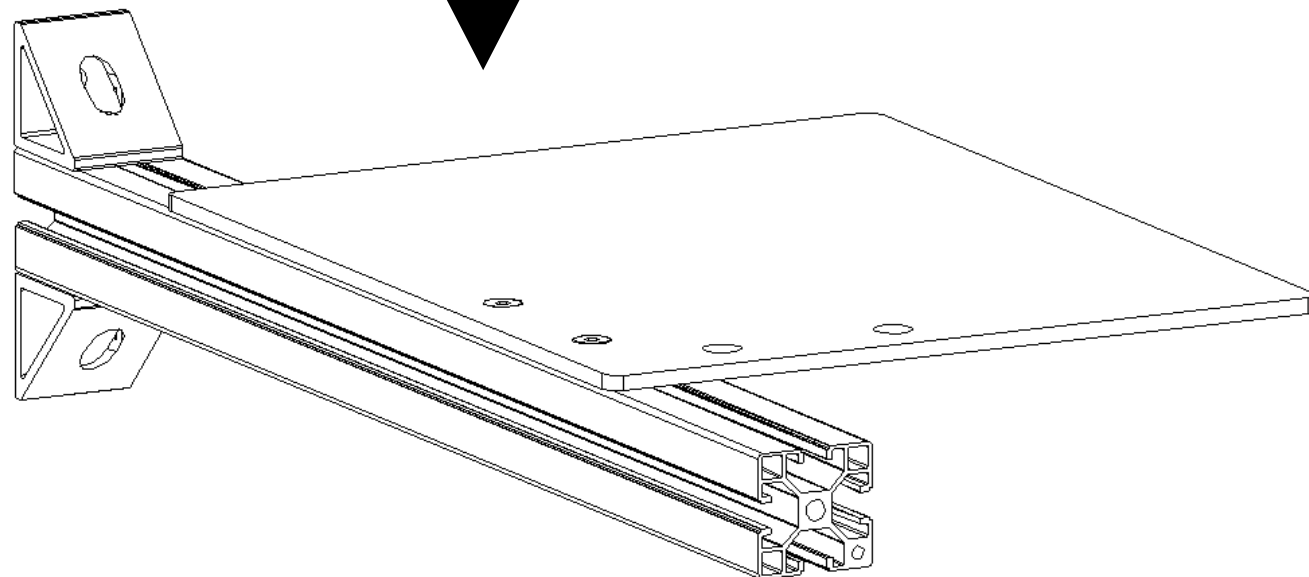
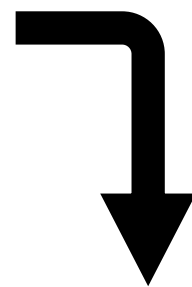
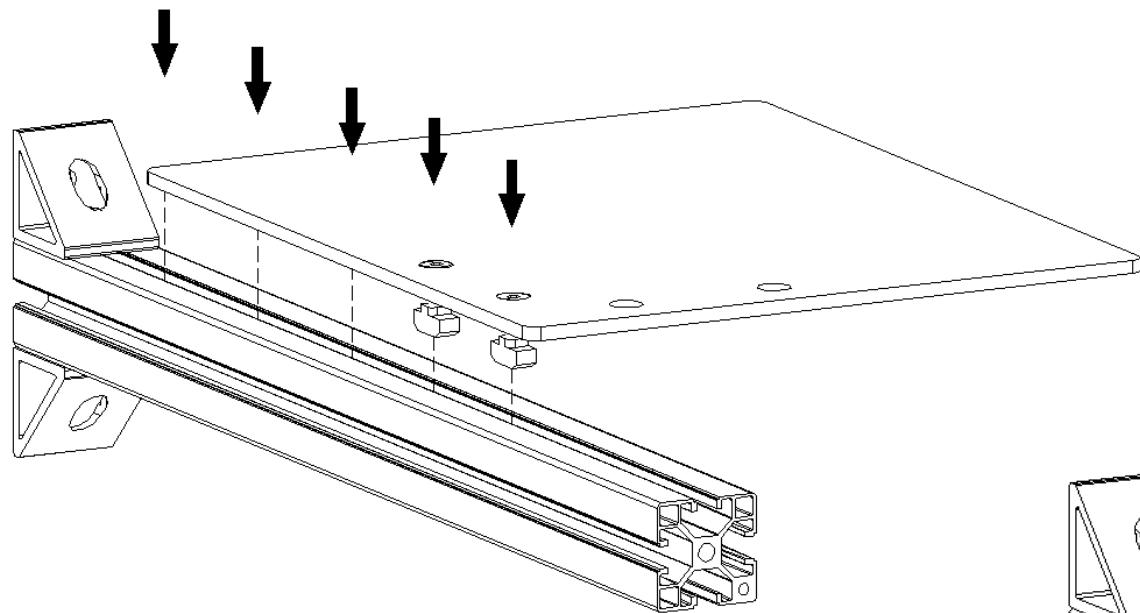
Method 1

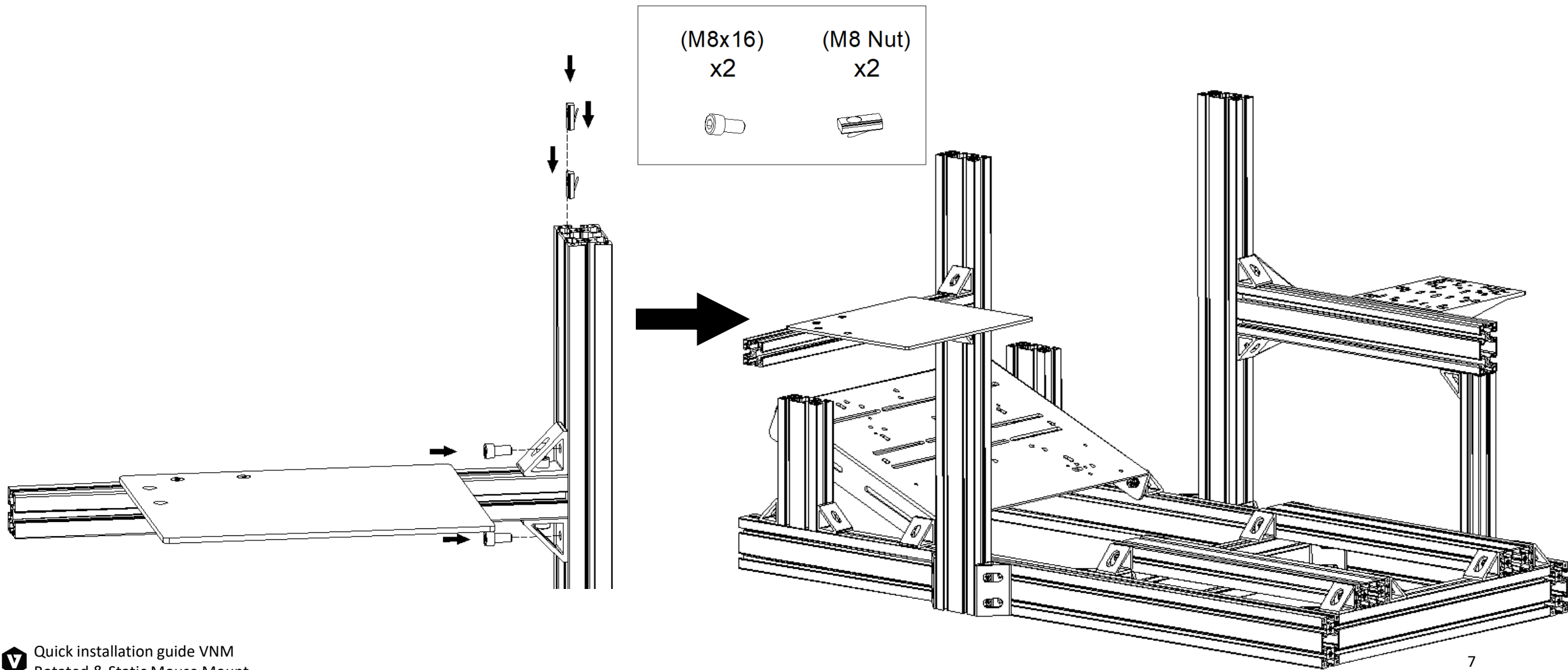


(M8x16) x2	(M8 Nut) x2
	

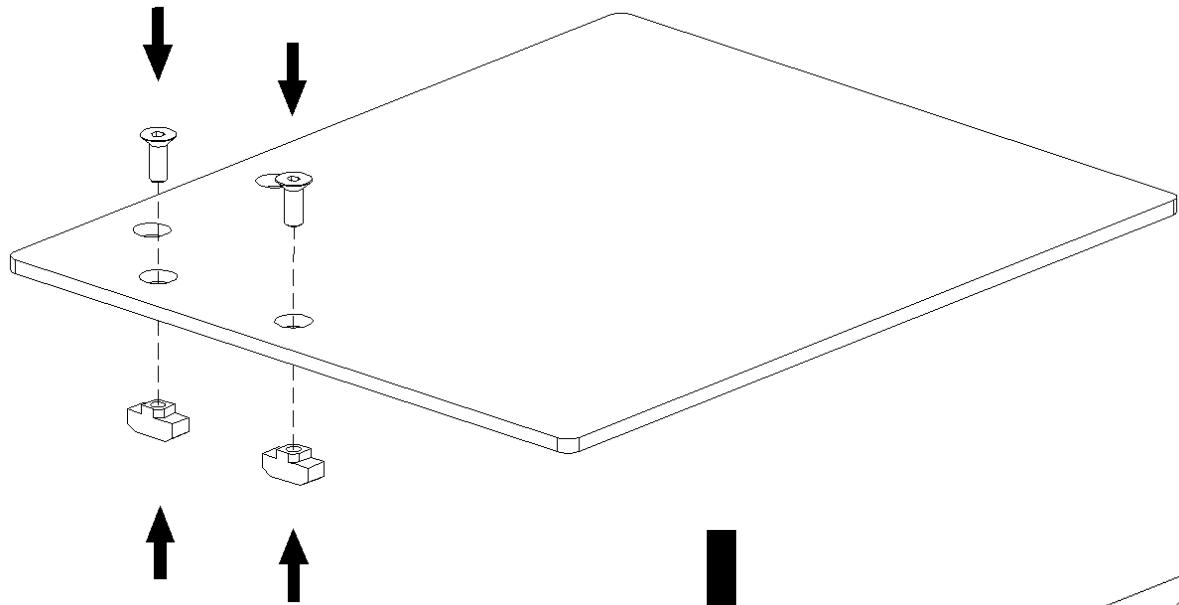


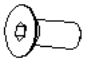



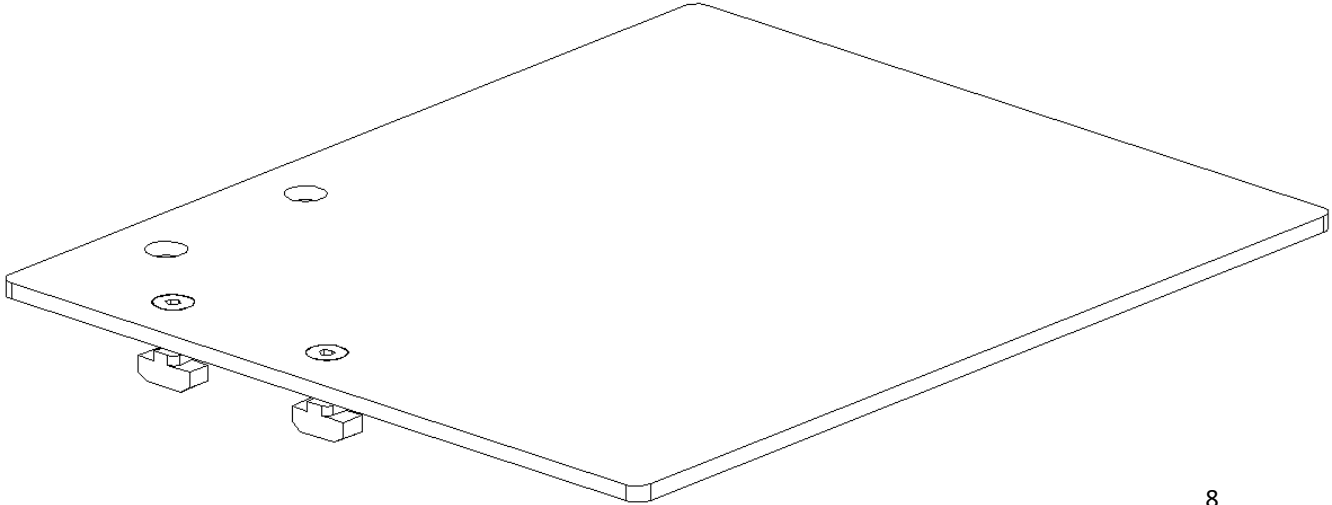
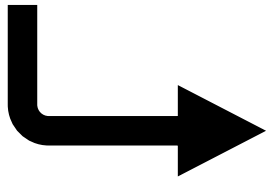


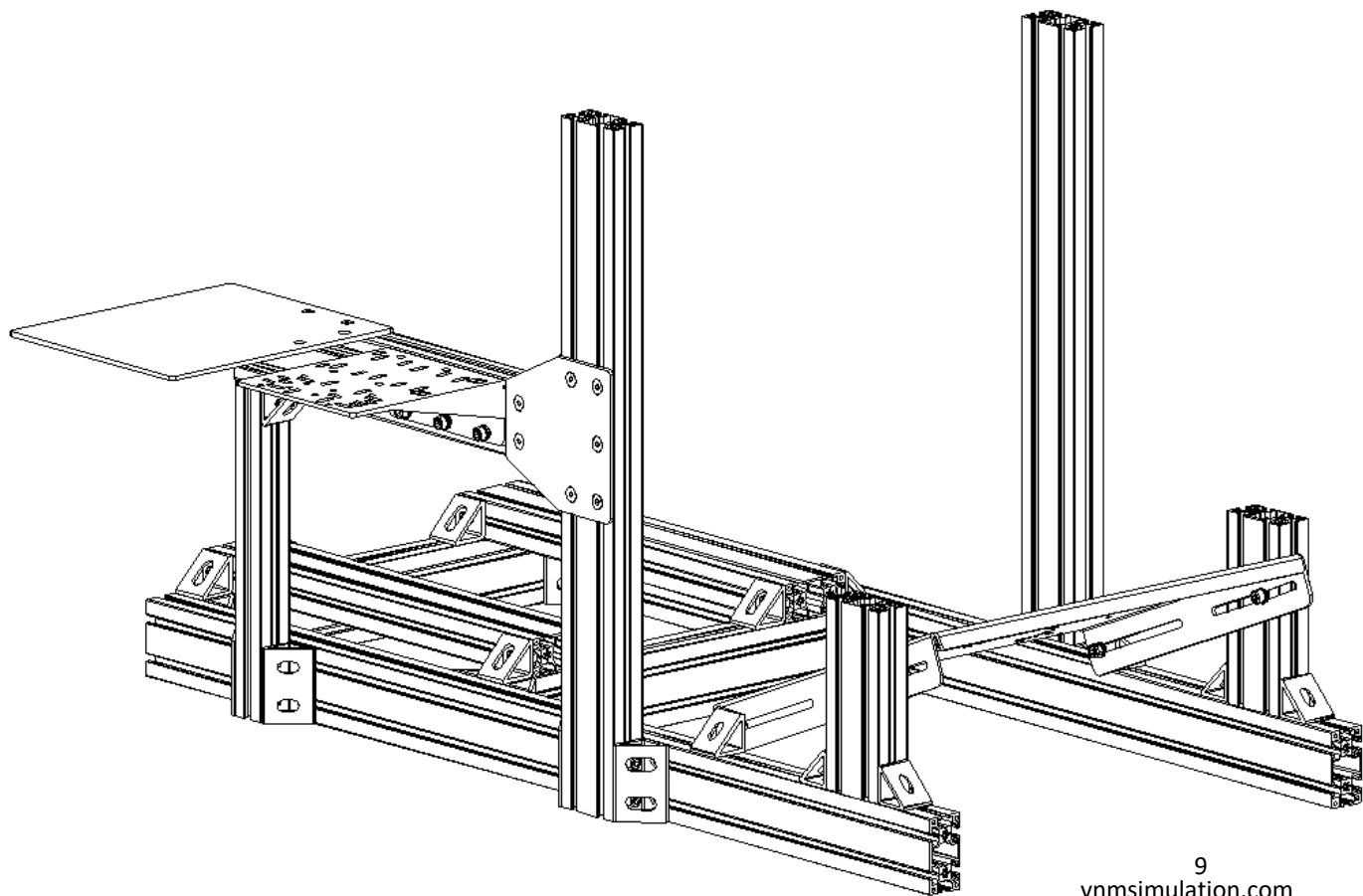
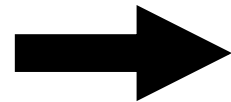
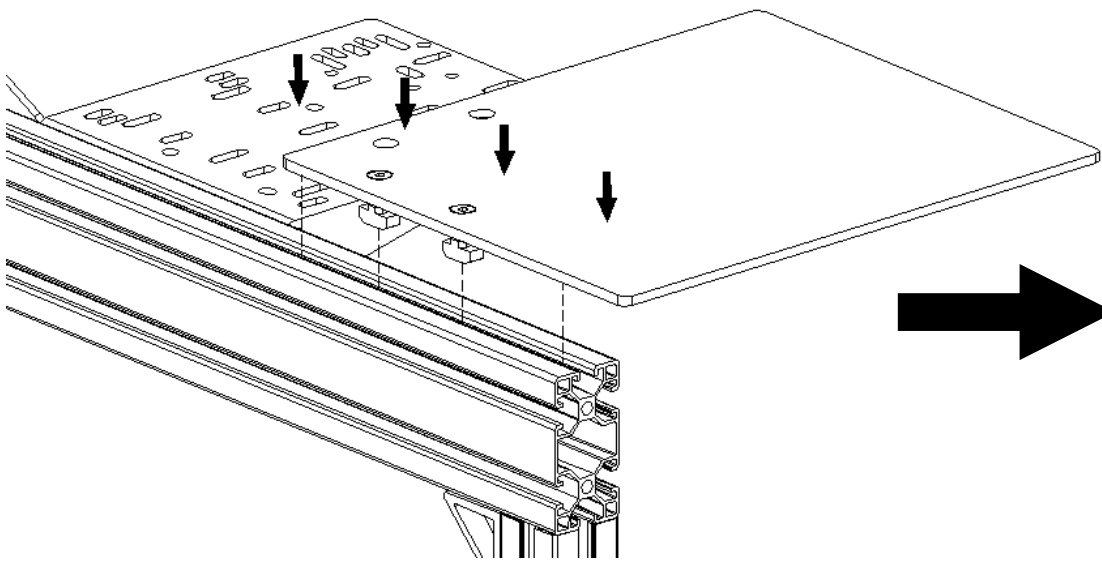


Method 2

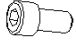



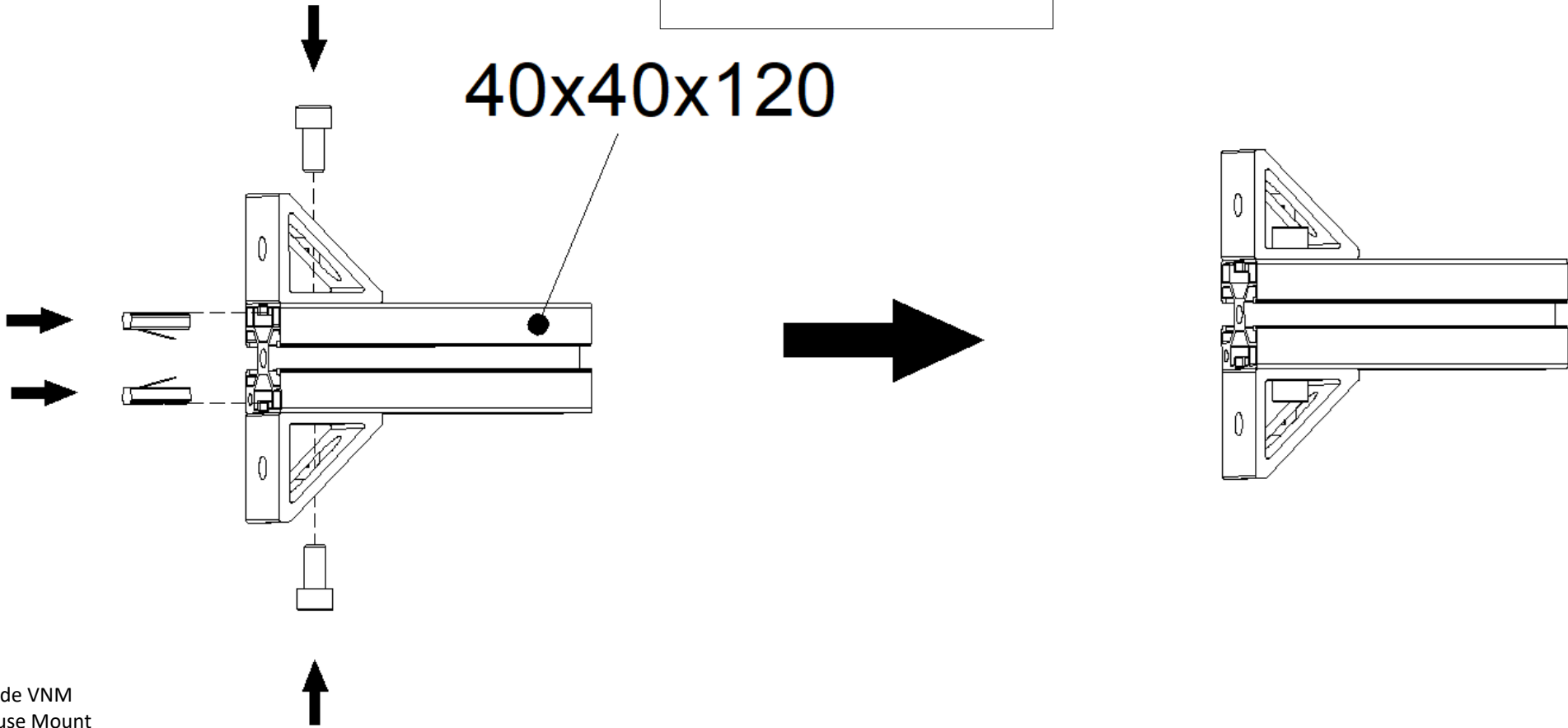
- | | |
|---|---|
| (M6x16)
x2 | (T Nut M6)
x2 |
|  |  |

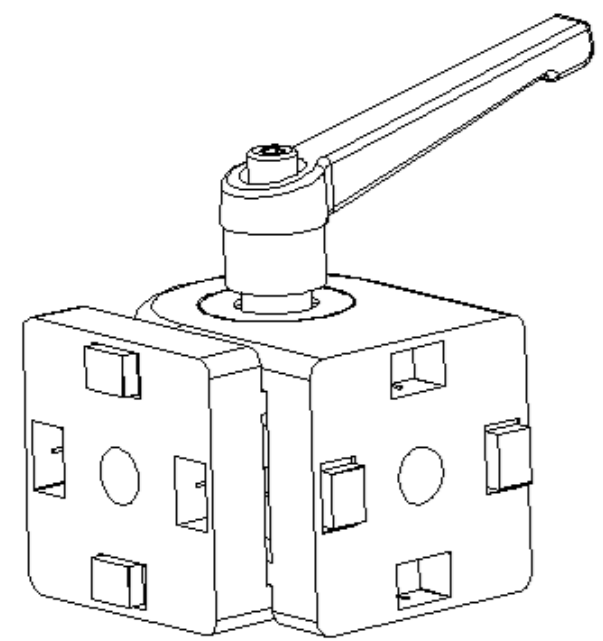
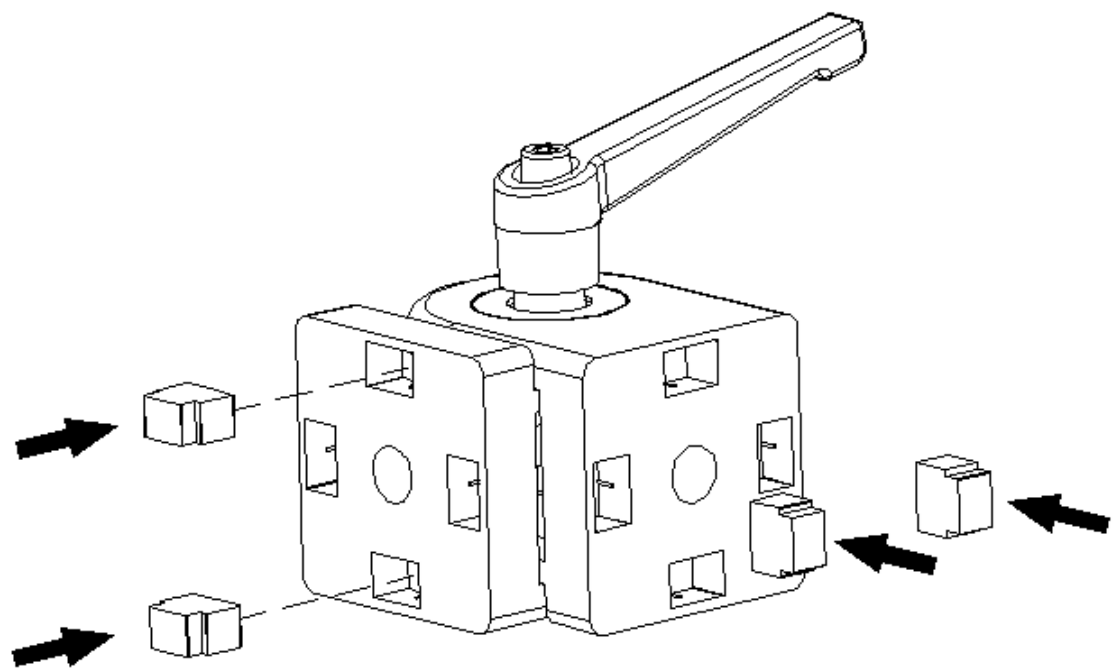


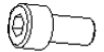




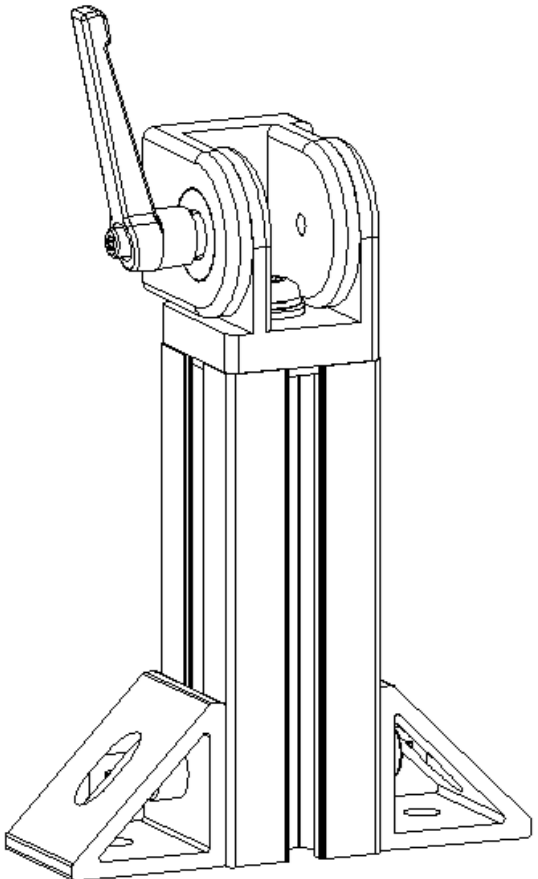
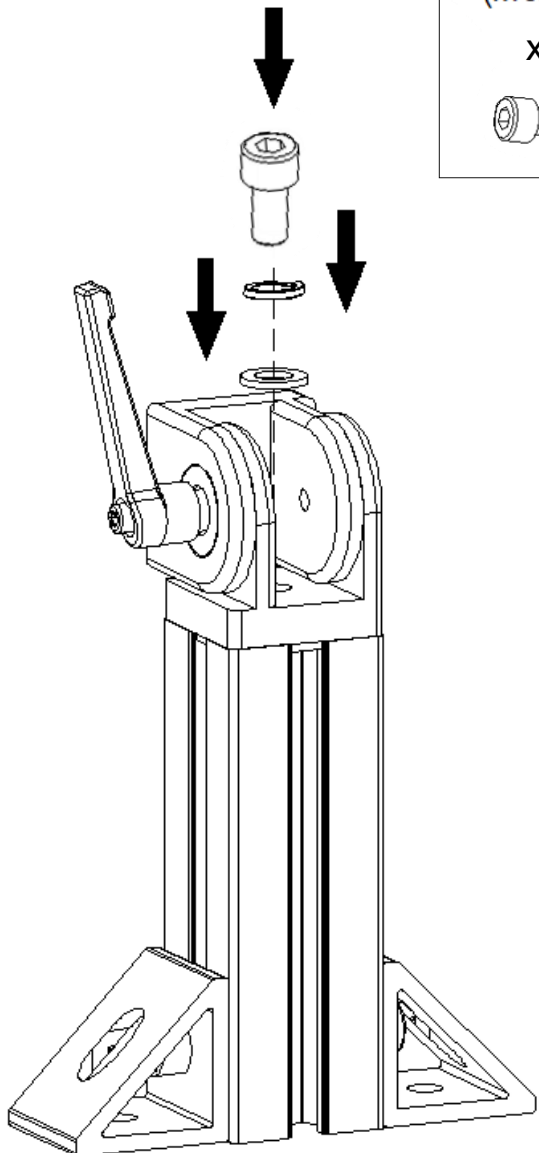
Method 3

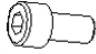


(M8x16) x2	(M8 Nut) x2
	

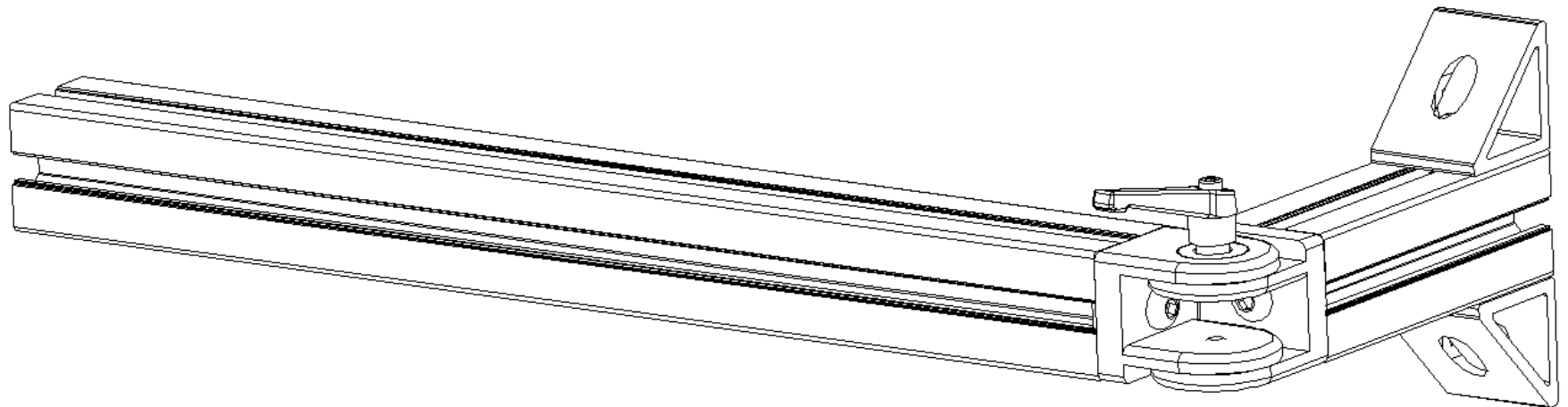
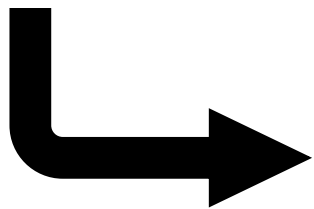
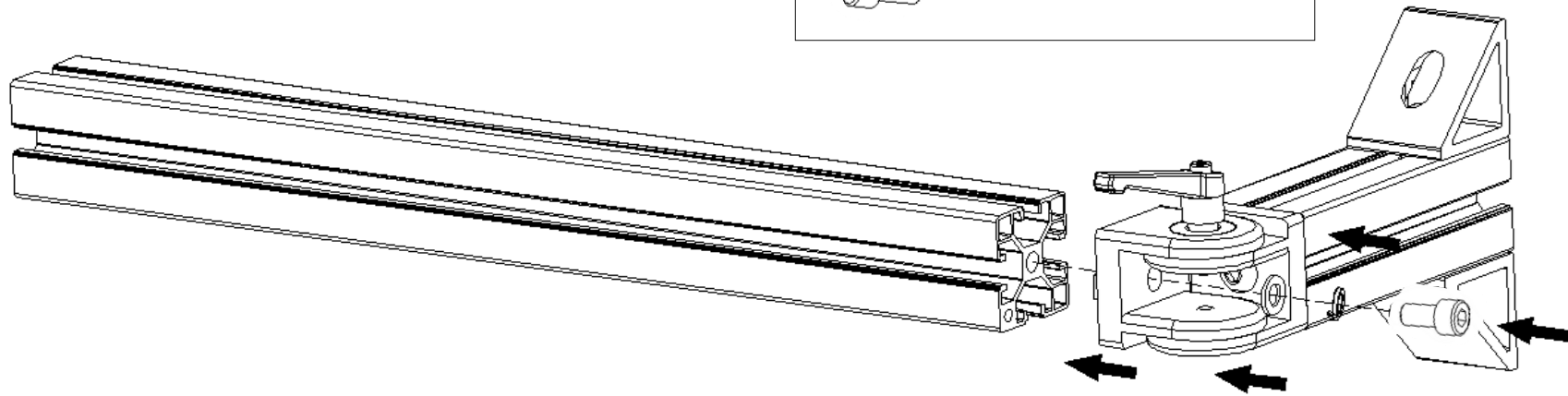


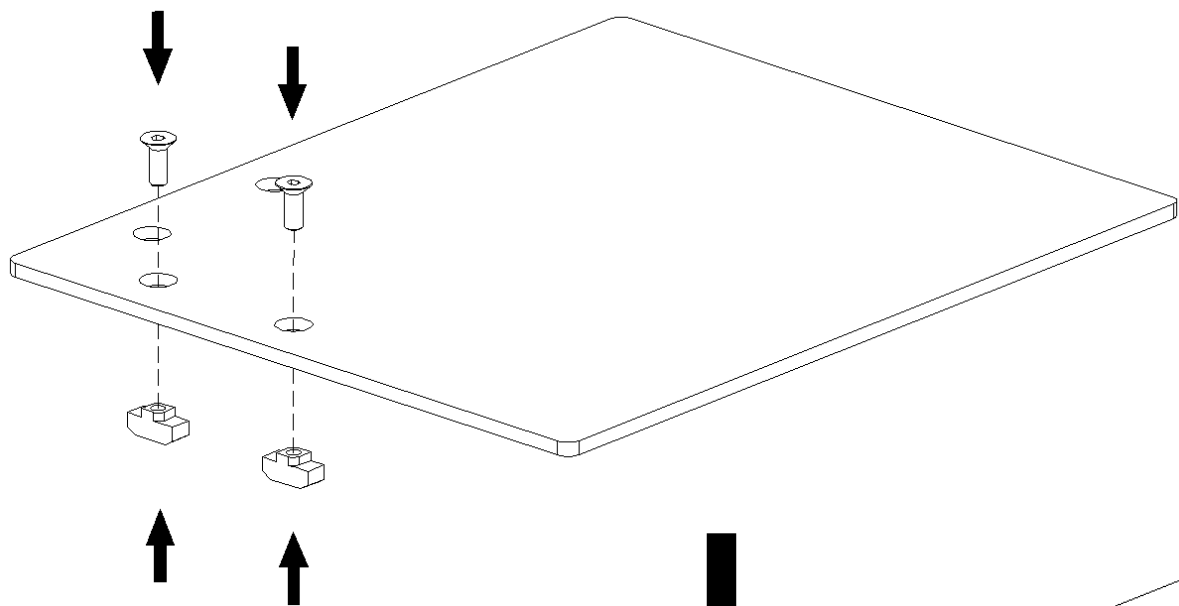


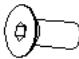

(M8x16)	(Spring 8)	(Flat 8)
x1	x1	x1
		

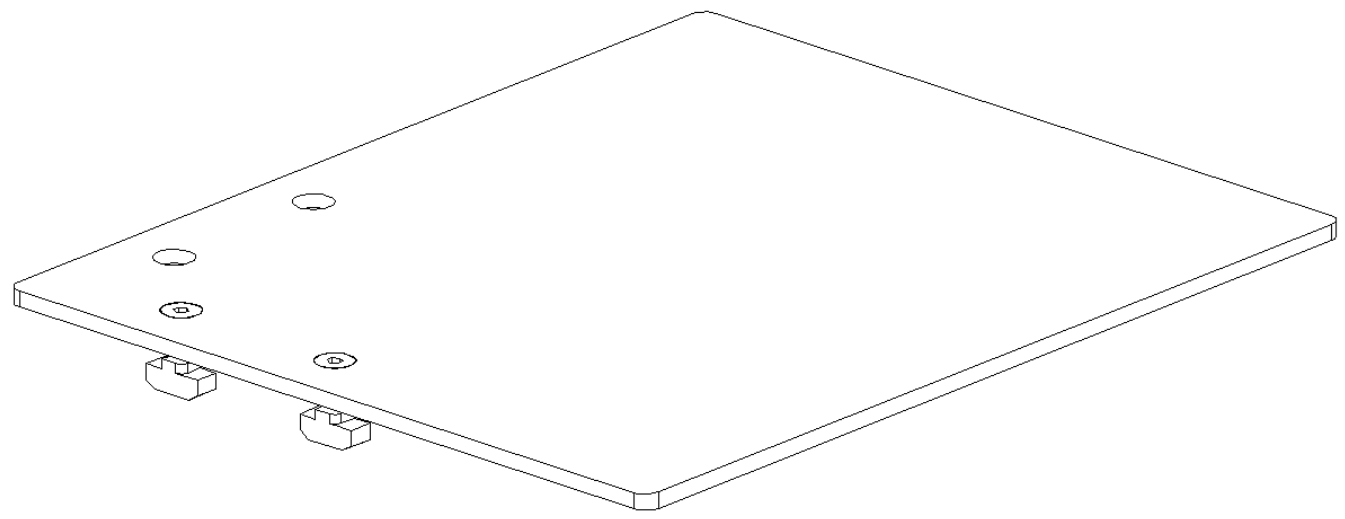
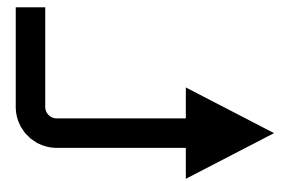


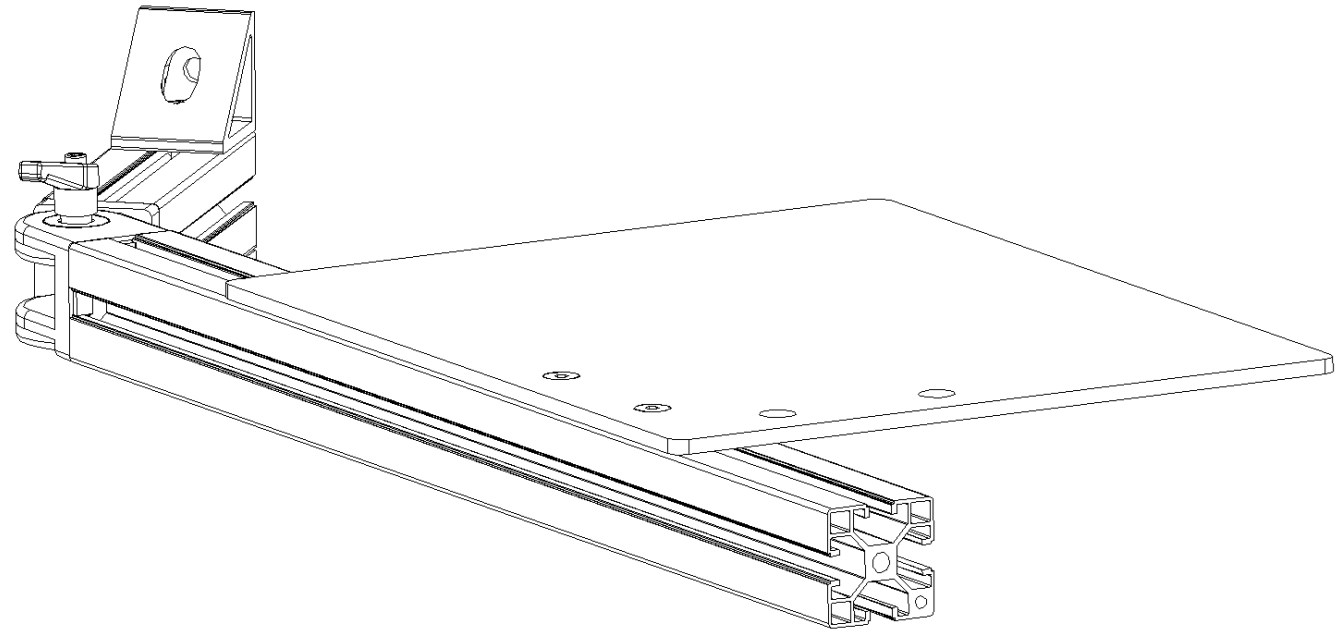
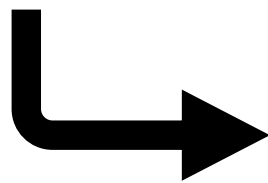
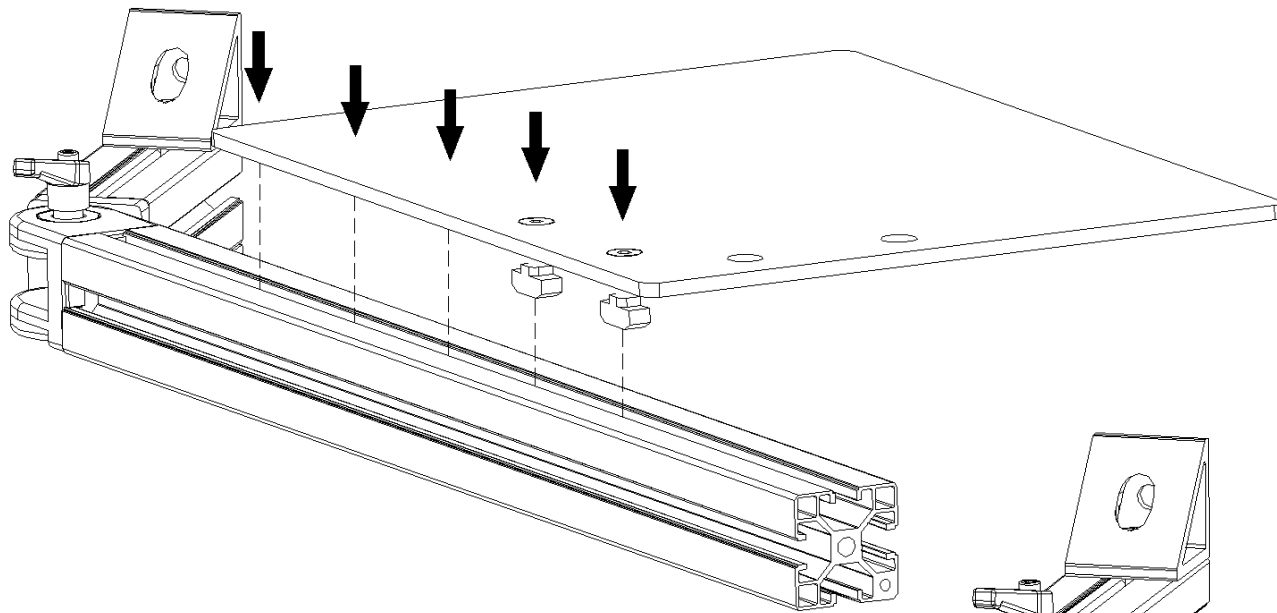
- | | | |
|--|---|---|
| (M8x16) | (Spring 8) | (Flat 8) |
| x1 | x1 | x1 |
|  |  |  |

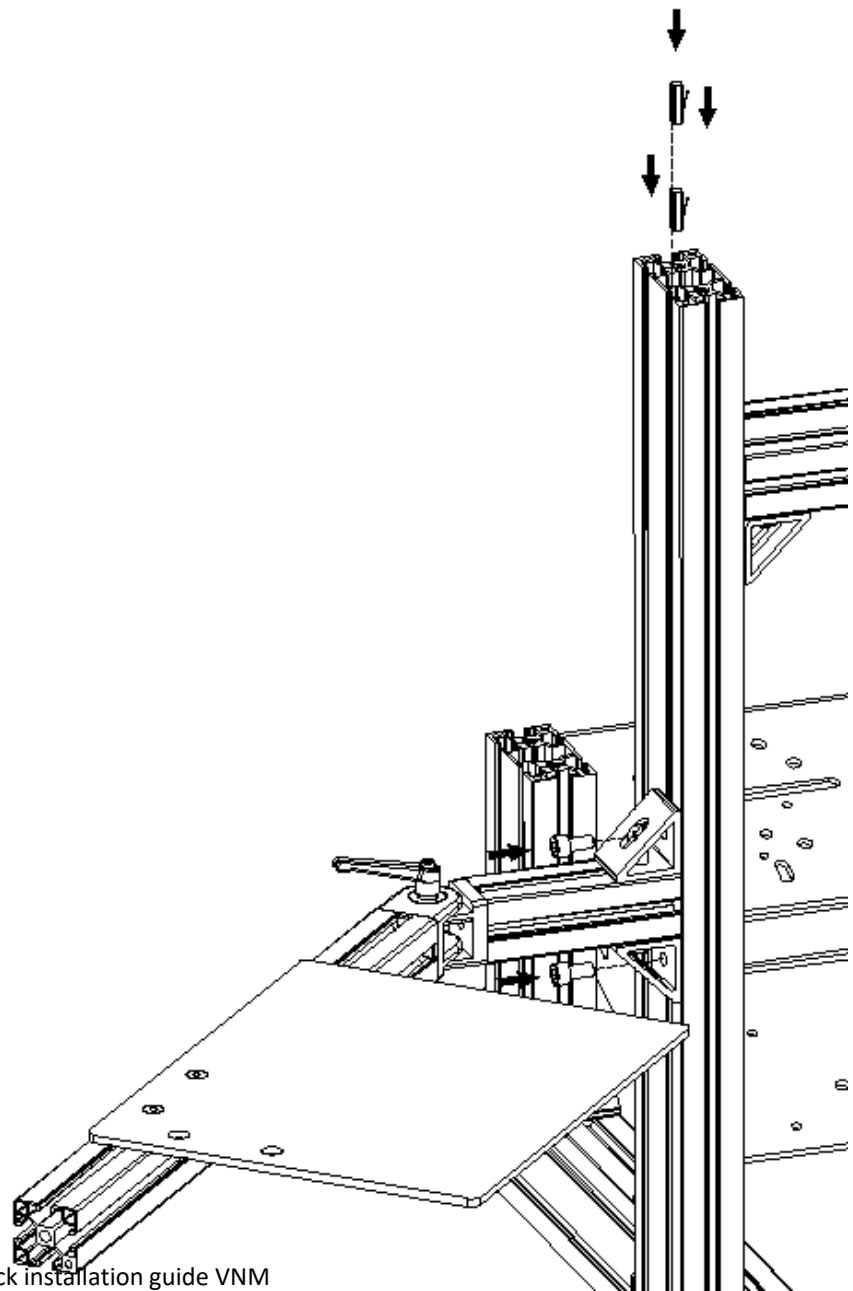




- | | |
|---|---|
| (M6x16)
x2 | (T Nut M6)
x2 |
|  |  |







(M8x16) x2	(M8 Nut) x2
