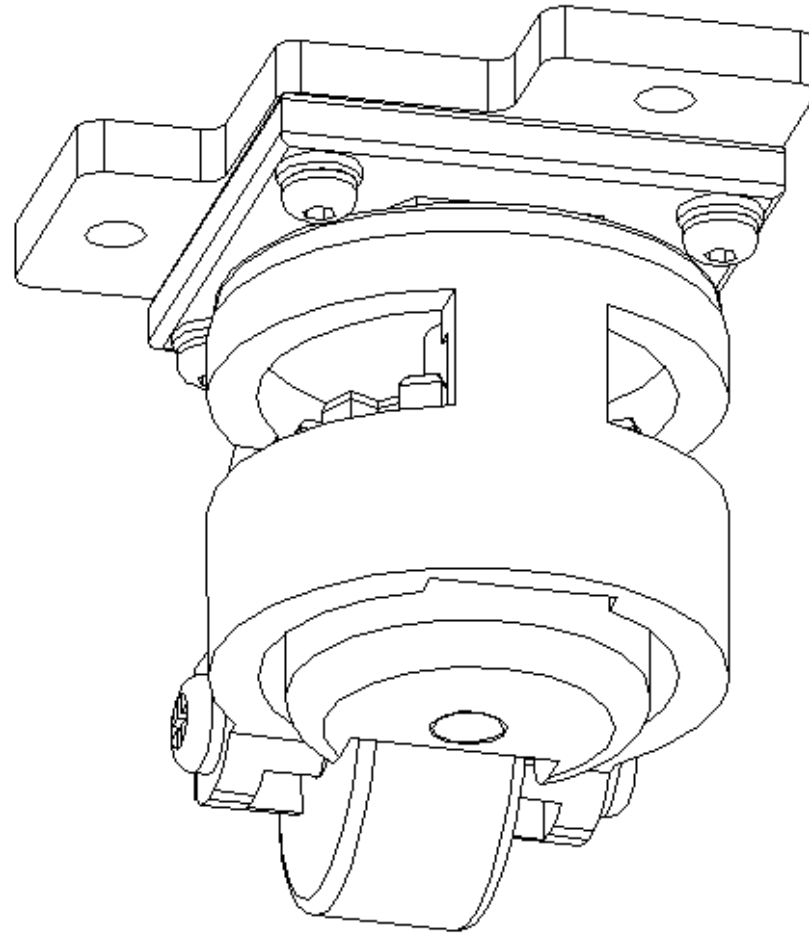


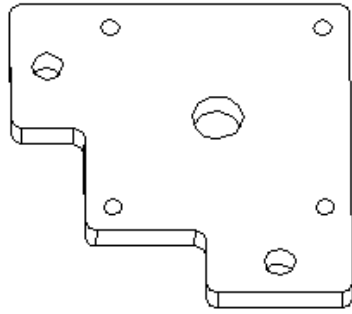


Quick installation guide VNM

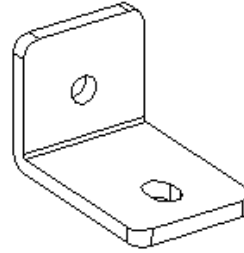
Caster Wheel Foot V1 (GD-60F feet)



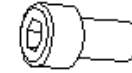
GD-60F Bracket
x4



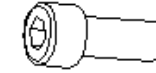
Part L GD-60F
x4



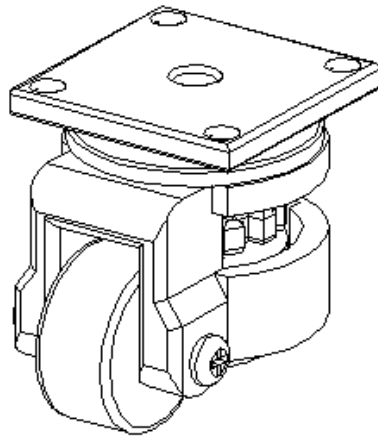
(M8x16)
x2



(M8x20)
x8



GD-60F
x4



(Spring 8)
x10



(Flat 8)
x10



(M8 Nut)
x4



(M6x12)
x16



(Spring M6)
x16



(Flat M6)
x16

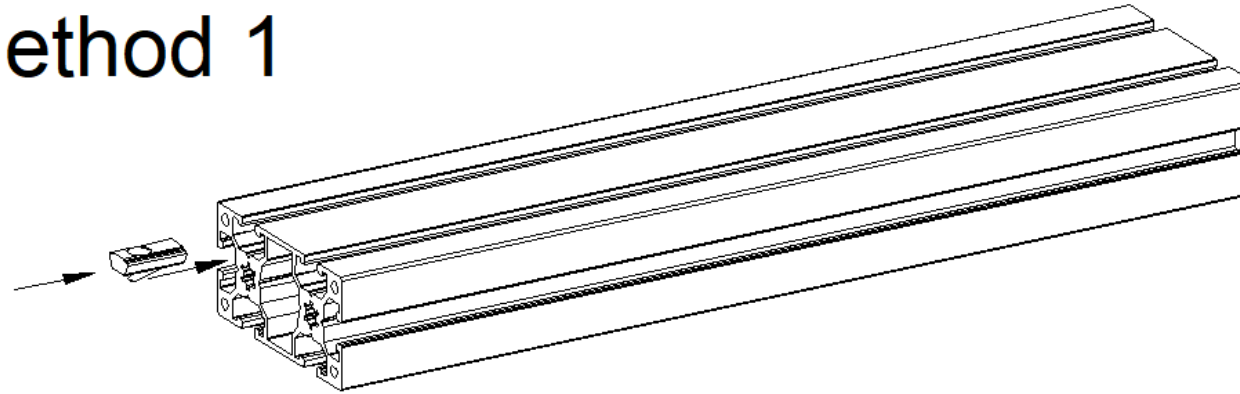


(M8 Nut)
x8

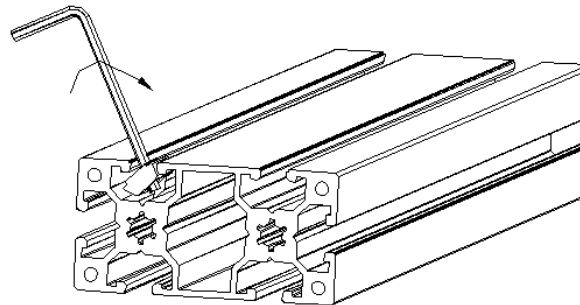


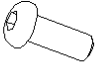


If you are missing any parts, please contact our customer support team who can assist!

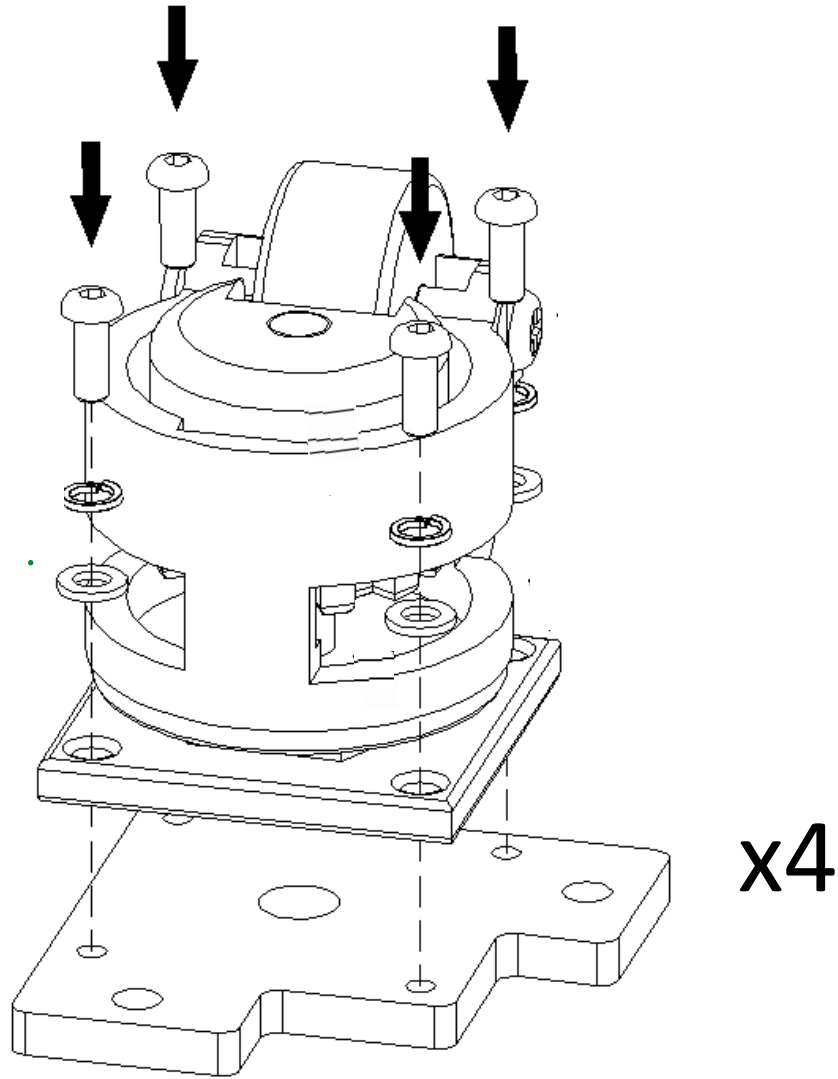
Method 1



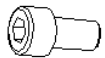
Method 2



(M6x12) x4	(Spring M6) x4	(Flat M6) x4
		



(M8x16)
x2



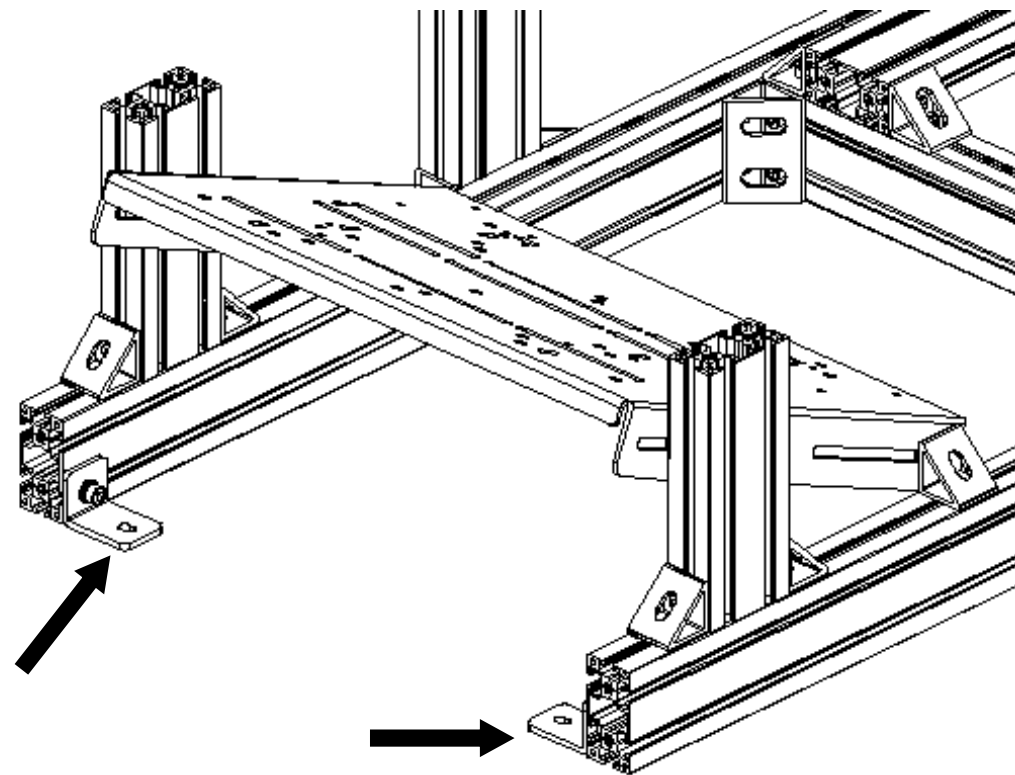
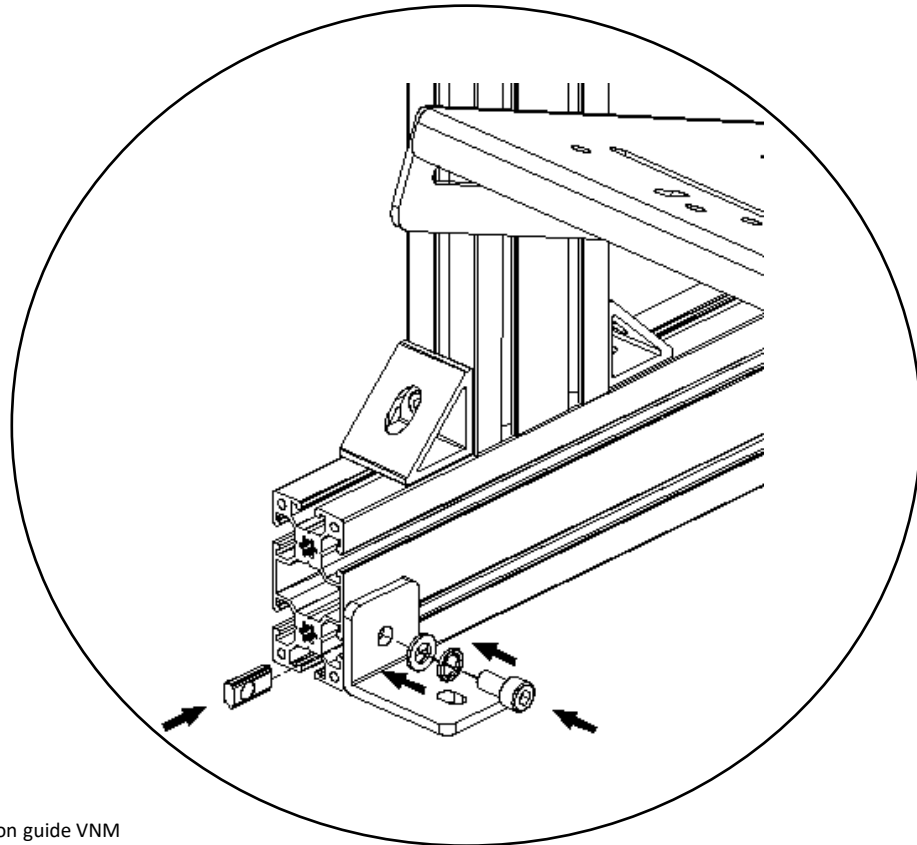
(Spring 8)
x2



(Flat 8)
x2



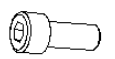
(M8 Nut)
x2



(M8x20)
x4

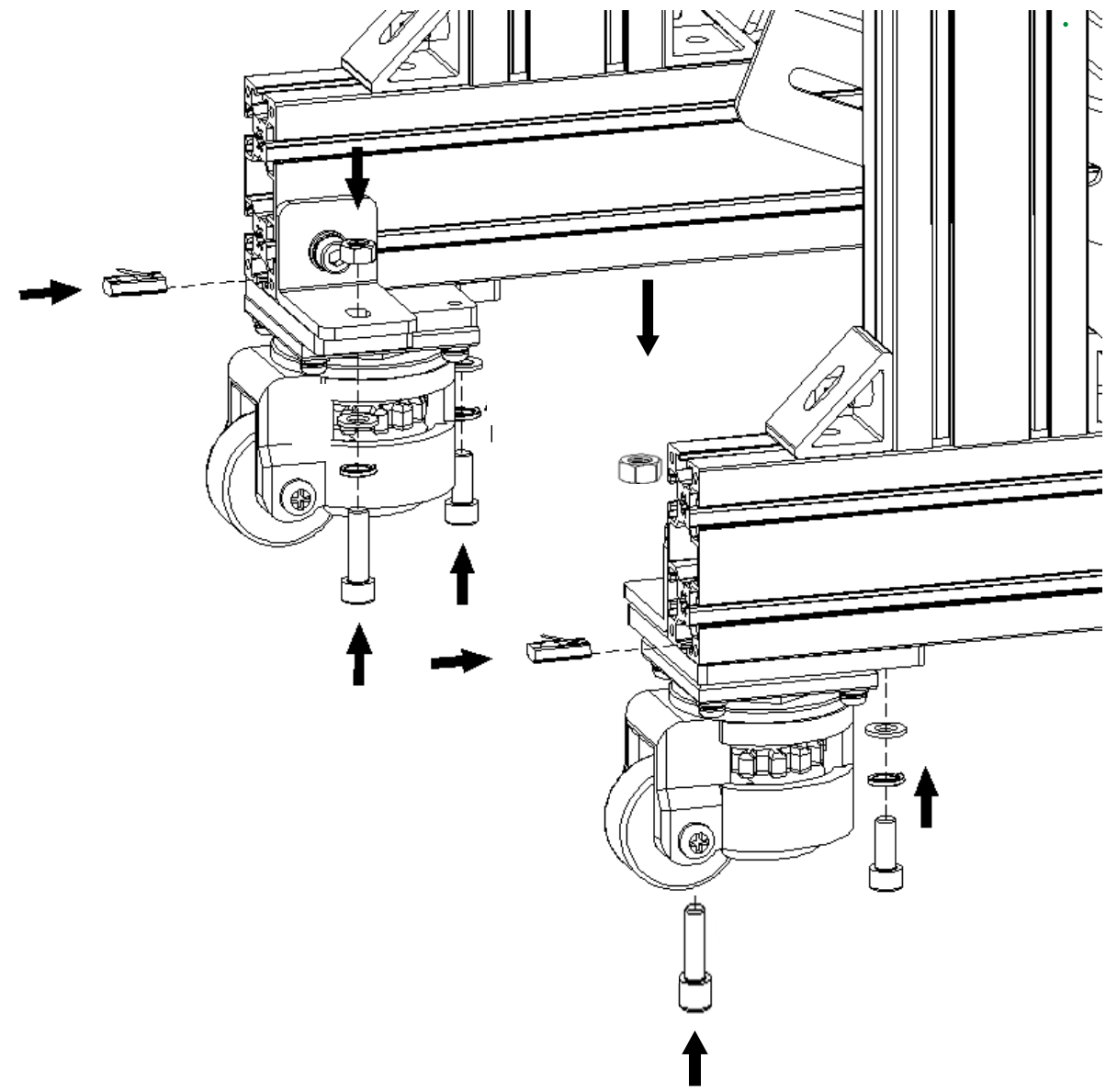
(Spring 8)
x4





(Flat 8)
x4

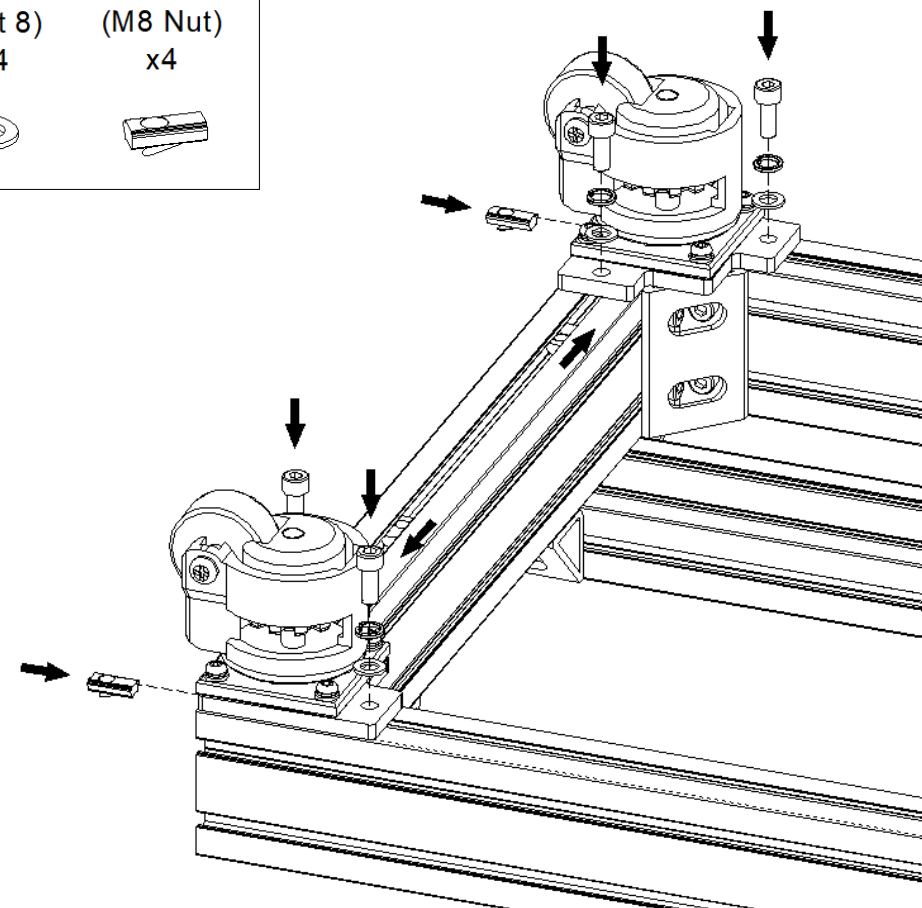


(M8 Nut)
x2

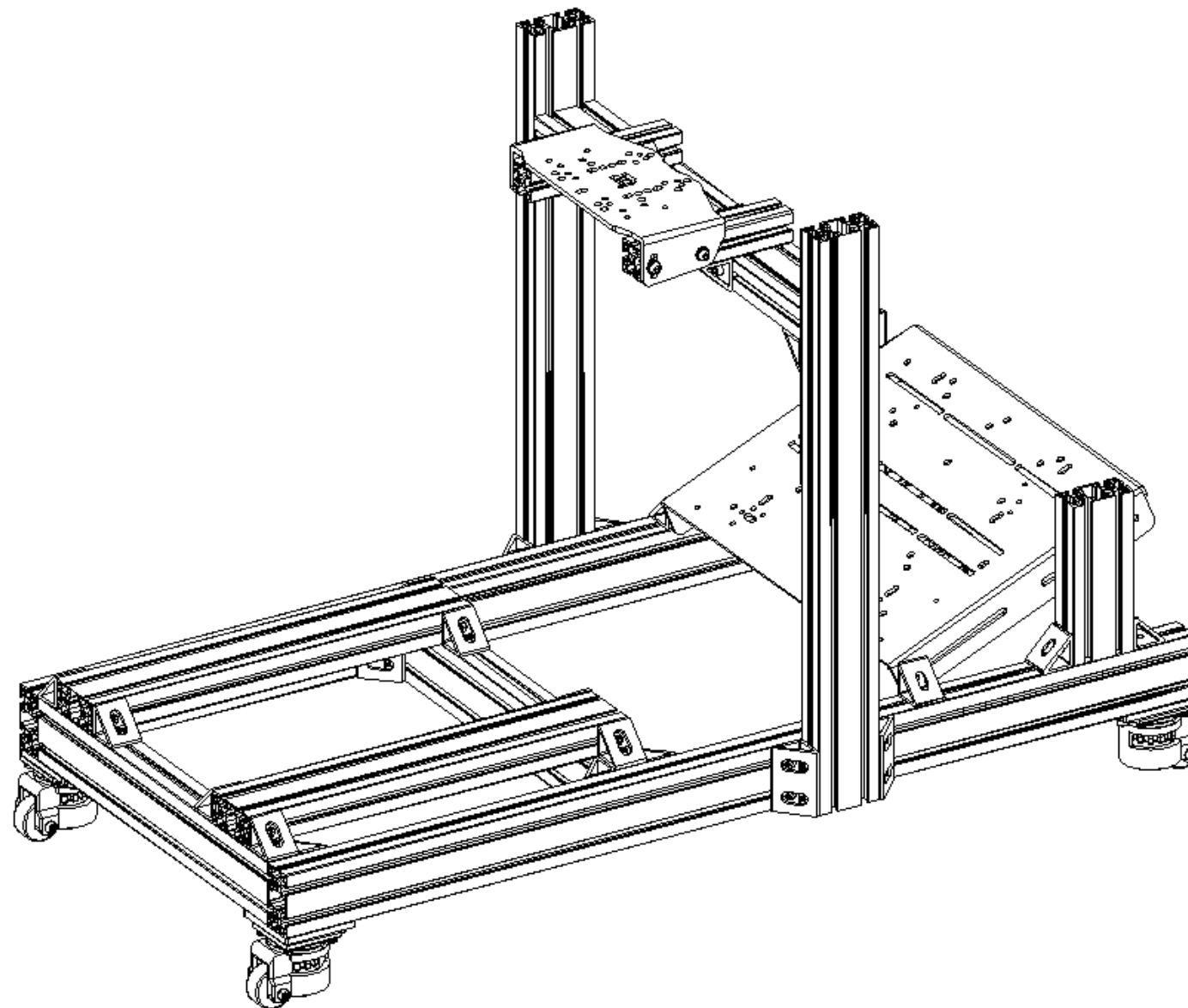
(M8 Nut)
x2



- | | | | |
|---|---|---|---|
| (M8x20)
x4 | (Spring 8)
x4 | (Flat 8)
x4 | (M8 Nut)
x4 |
|  |  |  |  |



GD-60F feet



“Congratulations on completing your rig assembly. If you have any questions or encounter any problems, please contact us for support!”