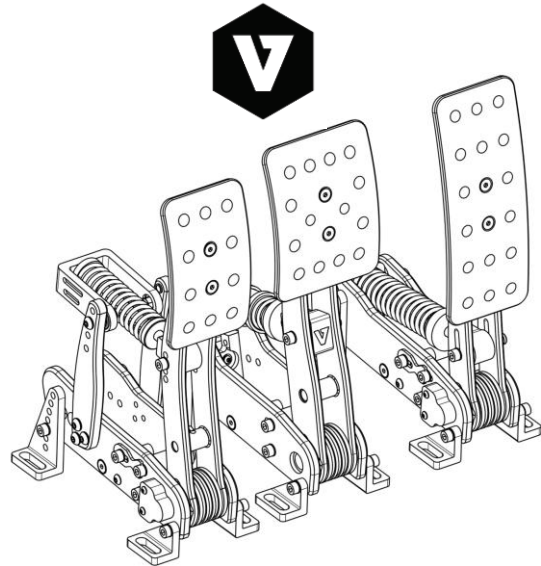
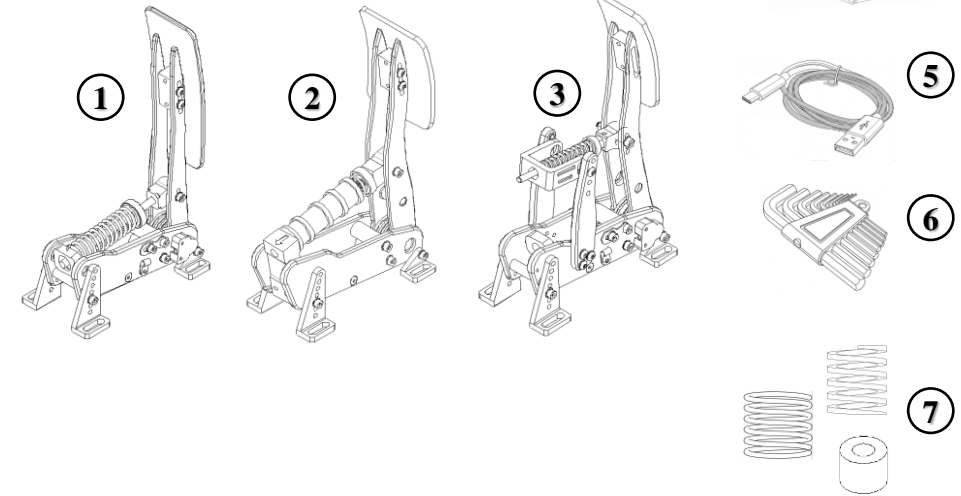


VNM PEDAL Quick Guide



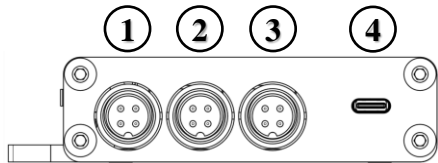
Content

1. VNM Throttle
2. VNM Brake
3. VNM Clutch
4. Pedal Controller Box
5. USB Cable type C
6. Allen key set & Mounting screws
7. 02 black, 01 yellow, 01 red spring, 01 elastomer, and 01 Spacer



Connection

1. GX12 port for Clutch (non using in set 2)
2. GX12 port for Brake
3. GX12 port for Throttle
4. USB-C port to PC

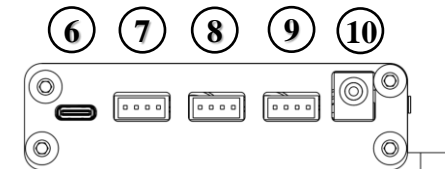


Right side of the VNM Controller Box

5. **DFU/Run Mode** switch.
*(Always make sure the controller is in **Run Mode**. DFU Mode is used for firmware updating only)*
6. CN 1 port
7. HT1 port for Haptic 1
8. HT2 port for Haptic 2
9. HT3 port for Haptic 3
10. DC 24V power



Bottom side of the VNM Controller Box



Left side of the VNM Controller Box

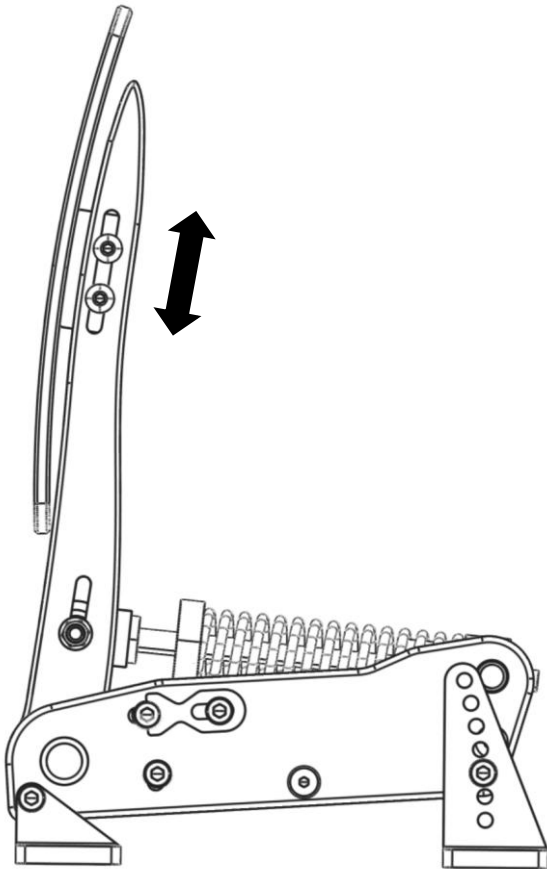
To **connect** the VNM Direct Haptic, simply plug it into one of the three ports: HT1, HT2, or HT3 on the VNM Controller Box

Disclaimer: Always plug the DC 24V power jack into the controller box **before** plugging it into an outlet

Adjust Pedal

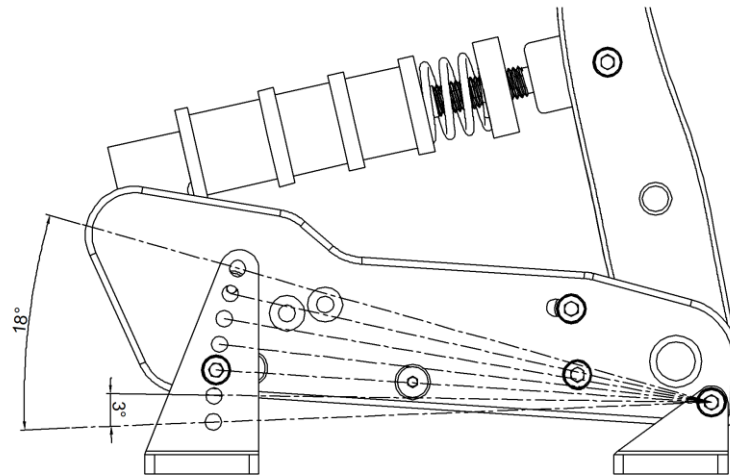
1. Adjust the height of the Pedal face

- ✓ Loosen the 4 hex bolts on the sides behind the pedal face, choose a suitable pedal height, then tighten.



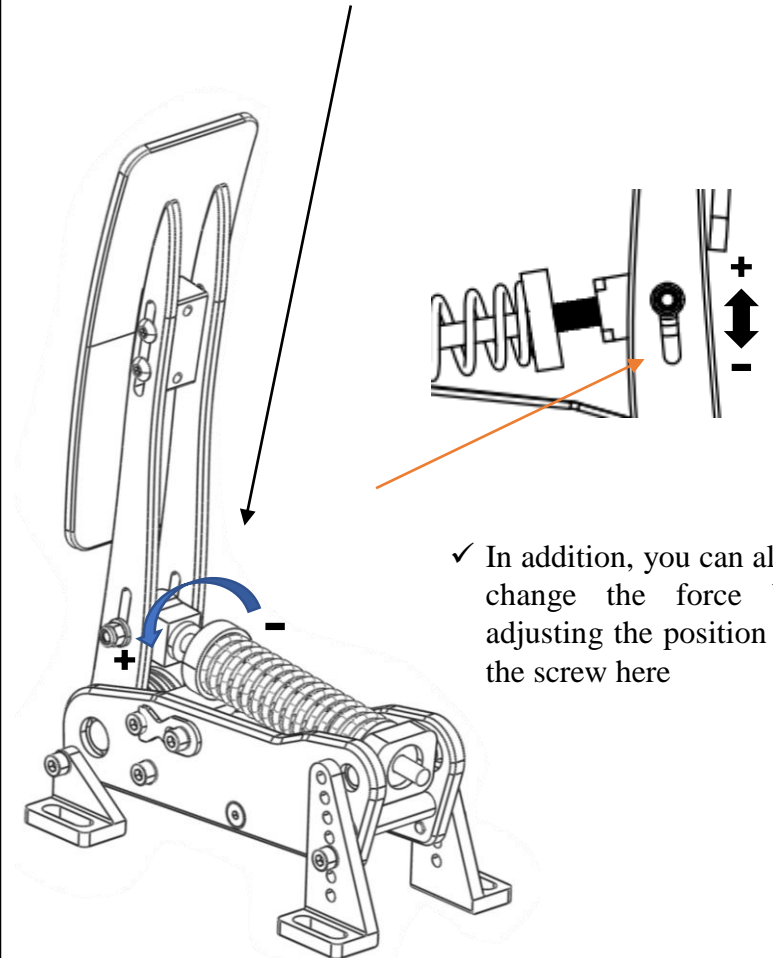
2. Adjust the Pedal tilt angle

- ✓ Here we give 7 options so you can change the angle of the pedal to your liking.
- ✓ Remove the hex bolts on the sides, then choose the angle that suits you and tighten them with the hex bolts.



3. Adjust the Pedal Force

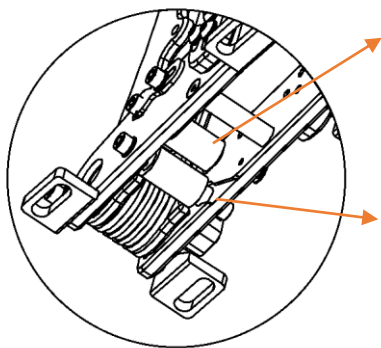
- ✓ Adjust the spring preload so that the pedal force is right for your foot



- ✓ In addition, you can also change the force by adjusting the position of the screw here

4. Adjust the Pedal Travel

- ✓ Adjusting the pedal travel helps give you the best feeling when experiencing the pedal. Loosen the hex bolts on the sides then choose the suitable location and tighten the hex bolts you just loosened.

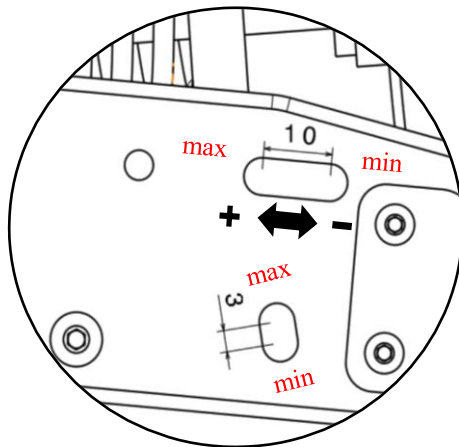


End-travel limiter assembly:

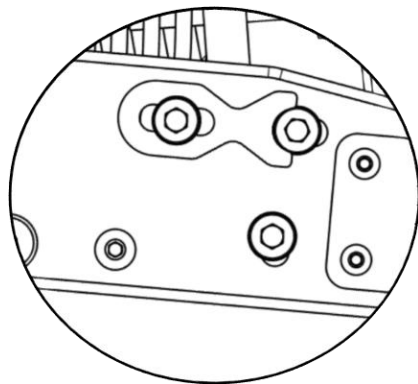
Move the end travel limit assembly to change the end point of the travel.

Start-travel limiter assembly:

Move the start travel limit assembly to change the start point of the travel.

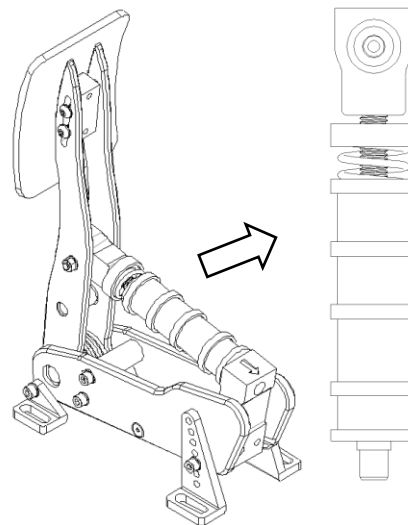


- ✓ Adjusting the end-travel limiter assembly



5. Exchange Spring & Elastomer (Brake)

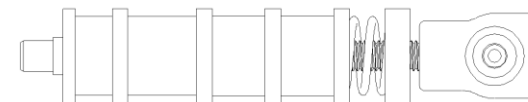
Step 1: Remove the elastomer stack



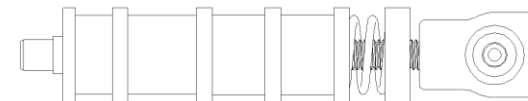
Step 2: Choose a suitable combination of springs and elastomers

- ✓ Three combinations are recommended, but feel free to mix and match to find the perfect combo for you.

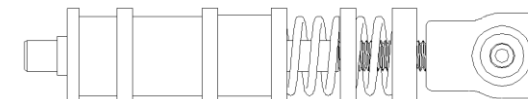
- ✓ Option 1: 2.5mm spring + 3 elastomers



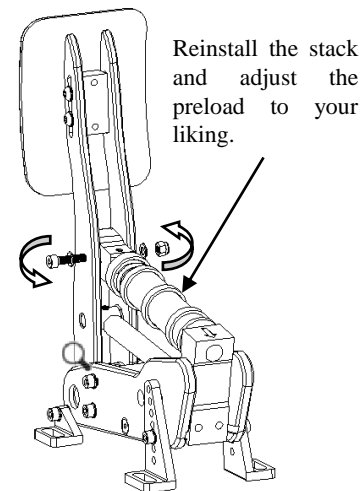
- ✓ Option 2: 3mm spring + 3 elastomers



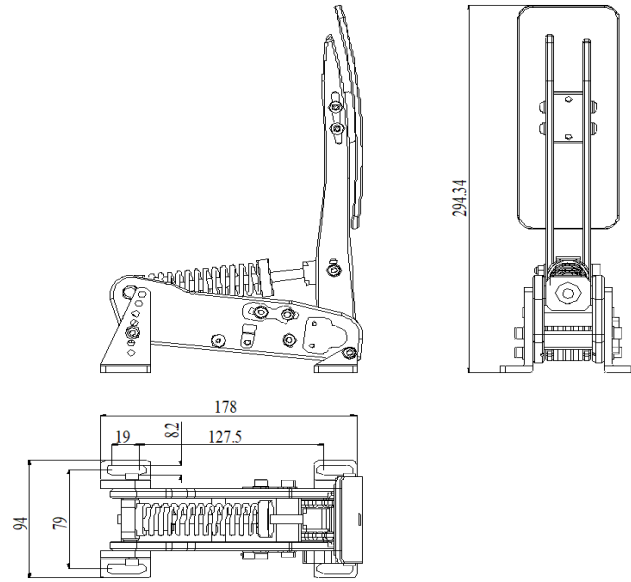
- ✓ Option 3: 2.5mm spring + 3mm spring + 2 elastomer



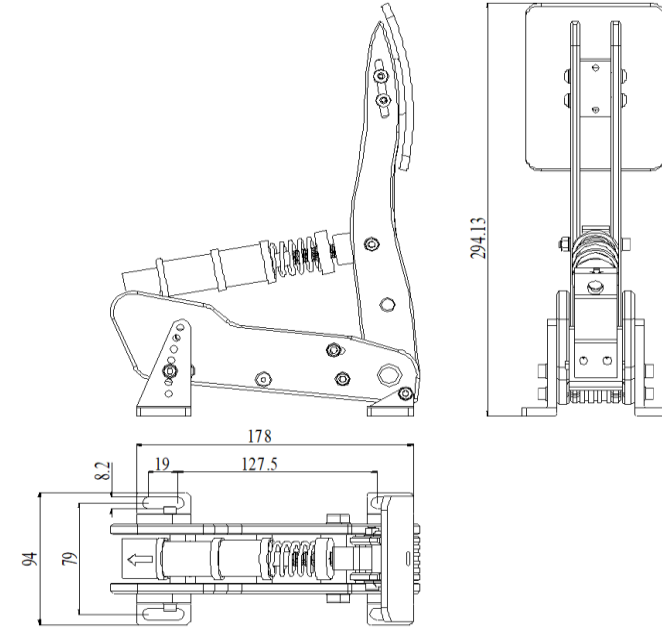
Step 3: Re-install the elastomer stack



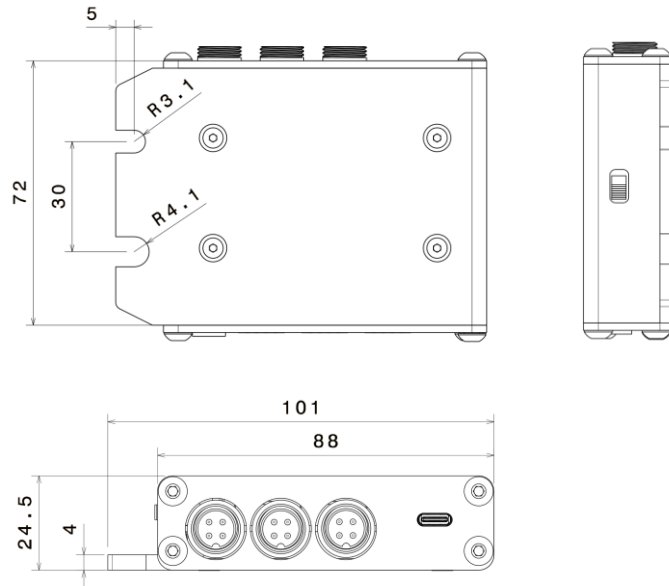
Throttle Mounting Dimension



Brake Mounting Dimension



Controller Box Mounting Dimension



Clutch Mounting Dimension

