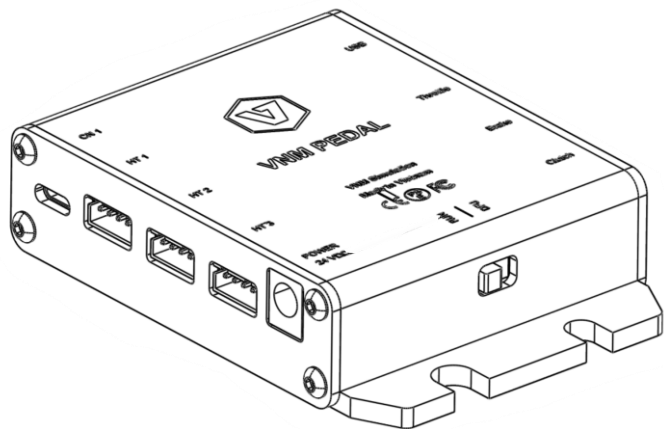


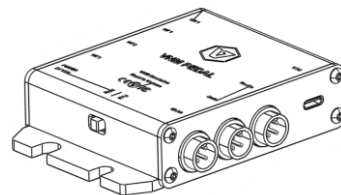
# Quick guide

## VNM Pedal Controller Box V2

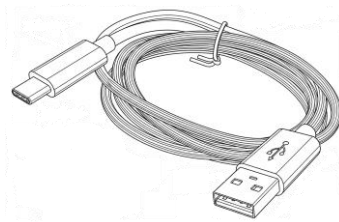


### Content

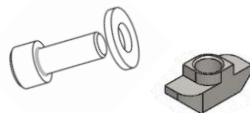
- 1 Controller Box V2



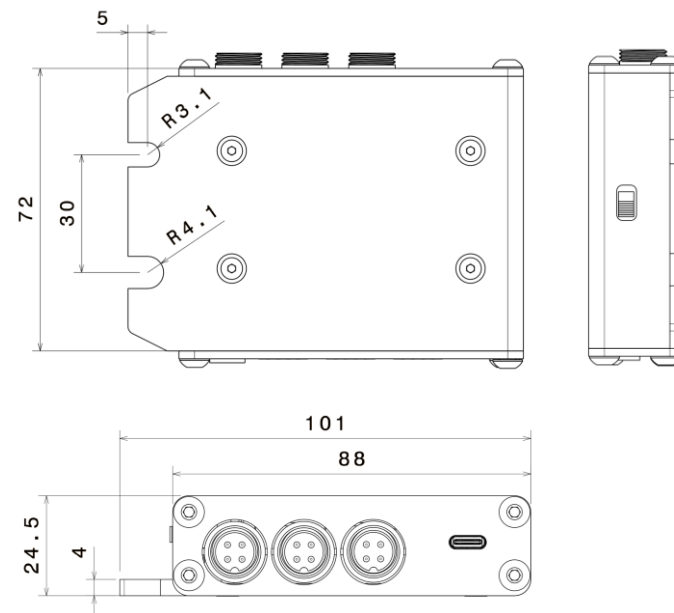
- 2 USB Cable Type C



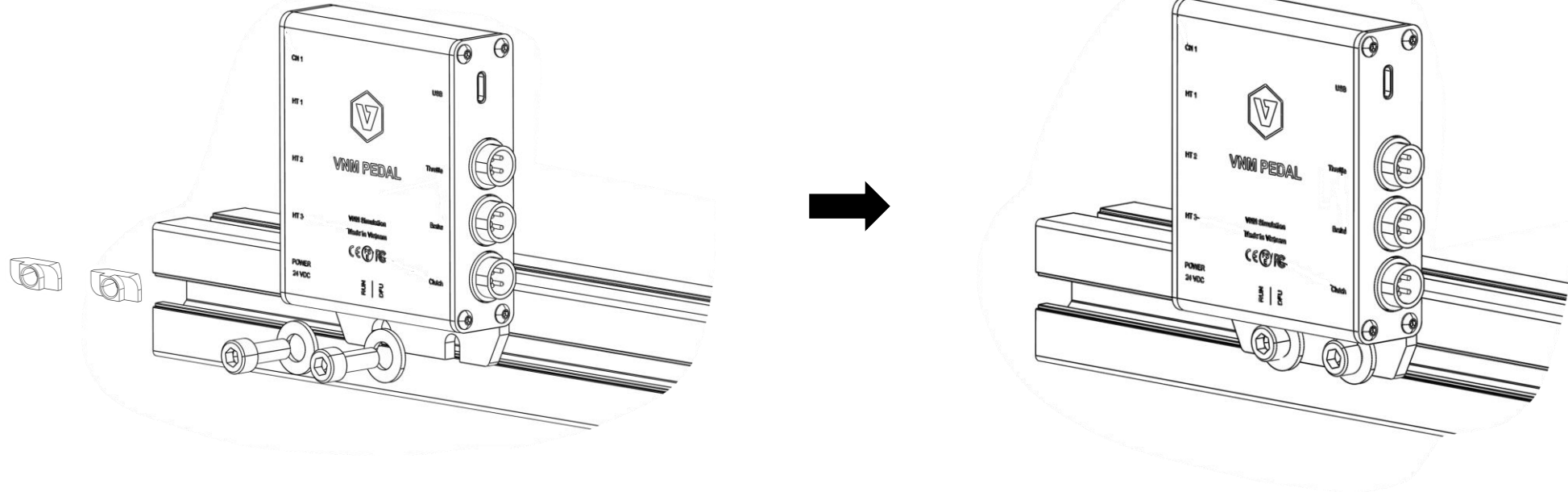
- 3 M6 mounting Screws  
x2



### Mounting Drawing

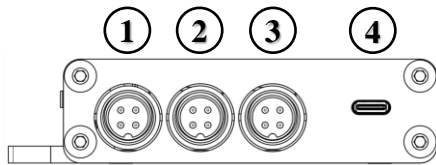


## Installation



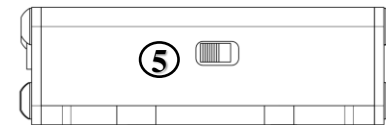
## Connection

1. GX12 port for Clutch
2. GX12 port for Brake
3. GX12 port for Throttle
4. USB-C port to PC



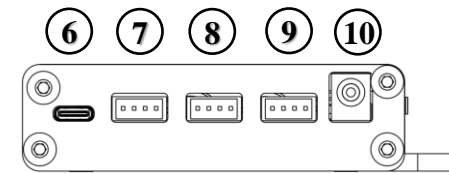
Right side of the VNM Controller Box

5. **DFU/Run Mode** switch.  
(Always make sure the controller is in **Run Mode**. DFU Mode is used for firmware updating only)



Bottom side of the VNM Controller Box

6. CN 1 port  
(Not currently in use)
7. HT1 port for Haptic 1
8. HT2 port for Haptic 2
9. HT3 port for Haptic 3
10. DC 24V power



Left side of the VNM Controller Box

To **connect** the VNM Direct Haptic, simply plug it into one of the three ports: HT1, HT2, or HT3 **on the VNM Controller Box**

**Disclaimer:** Always plug the DC 24V power jack into the controller box **before** plugging it into an outlet