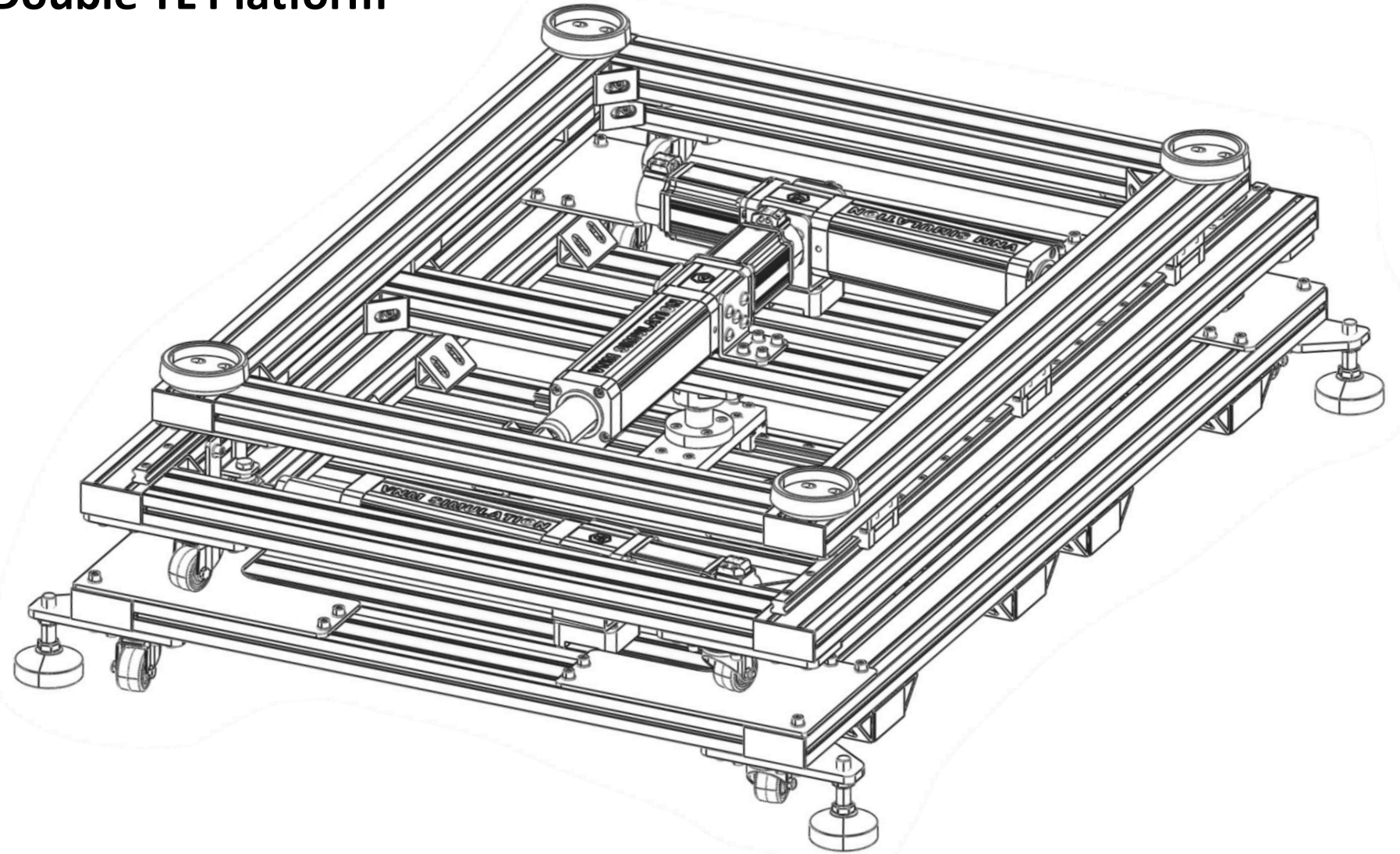


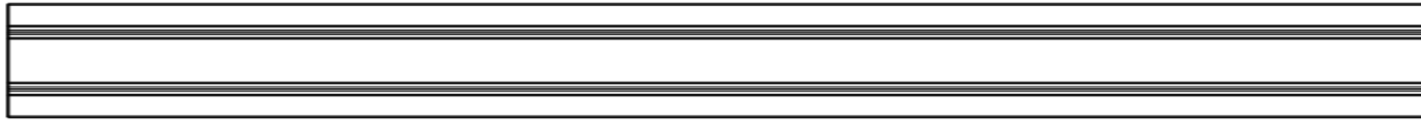


Installation guide

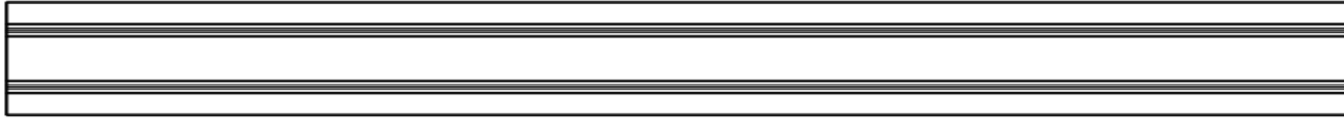
VNM Surge- Double TL Platform



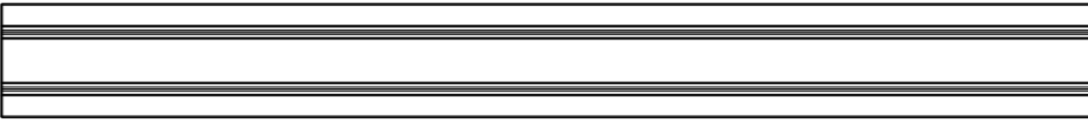
1 40x80x1400
x2



2 40x80x1340
x2



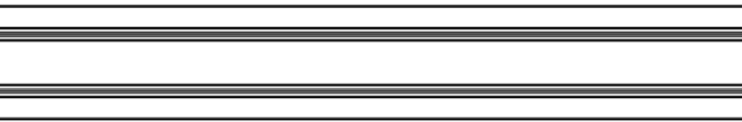
3 40x80x1140
x2



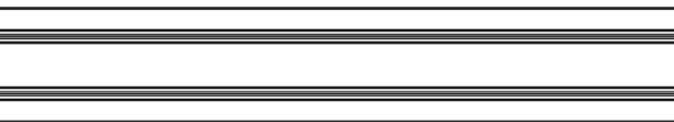
4 40x80x960
x4



5 40x80x800
x5

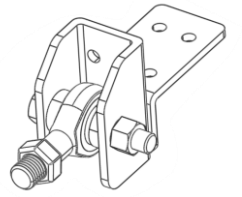


6 40x80x720
x2



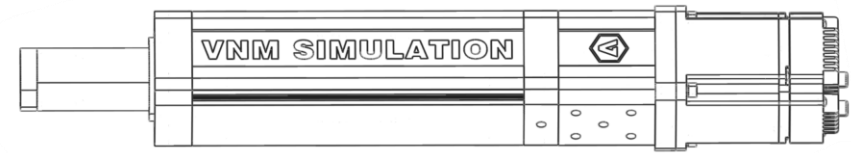
7

Actuator Surge
Bracket
x1



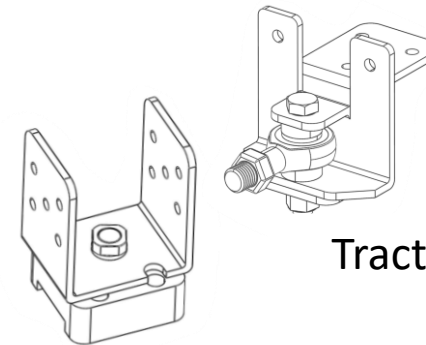
8

VNM Actuator 150mm
x3



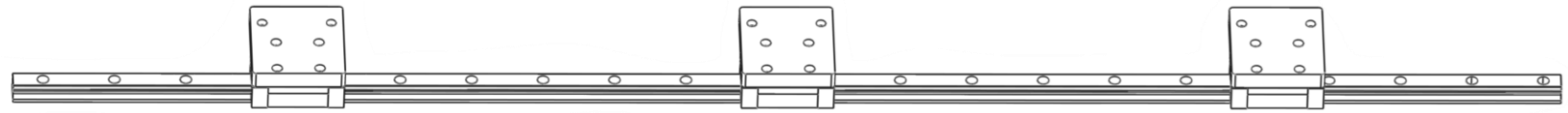
9

Actuator
Tractionloss Bracket
x2



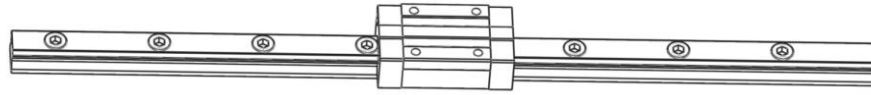
10

Linear Guide Rail Assembly
1300mm
x2



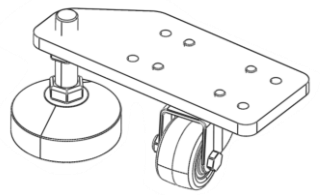
11

Linear Guide Rail Assembly
520mm
x2



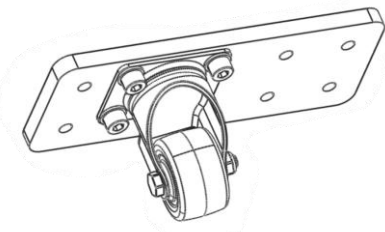
12

Foot Motion
x4



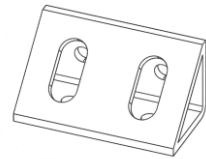
14

Low Gravity
x4



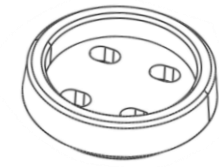
15

4080 Conner Alu
x16



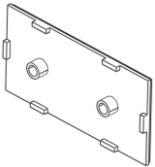
16

D100 Cup
x4



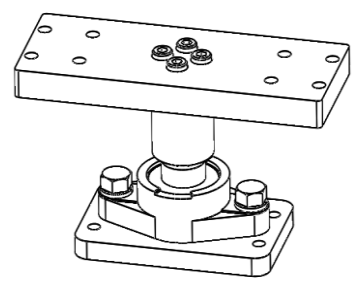
20

Alu Cover
x20



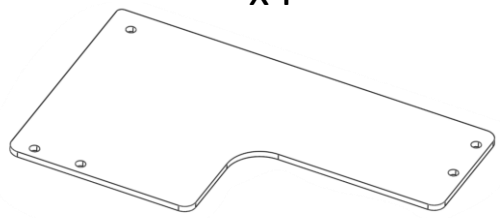
13

Spindle & UCFL204
x1



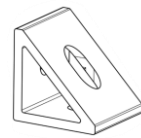
17

Wheel Support Bracket
x4



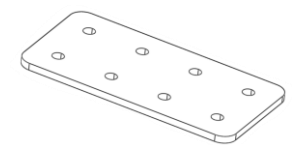
18

4040 Conner Alu
x16

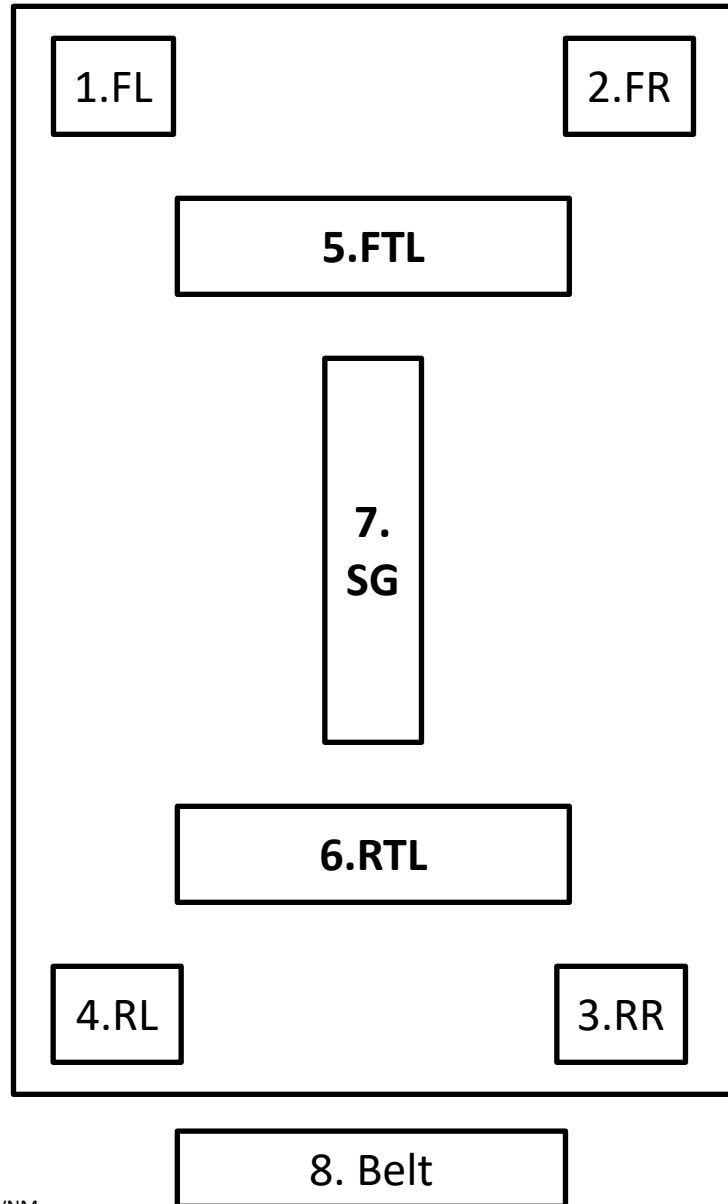


19

Connector Plate I
x6



Monitor

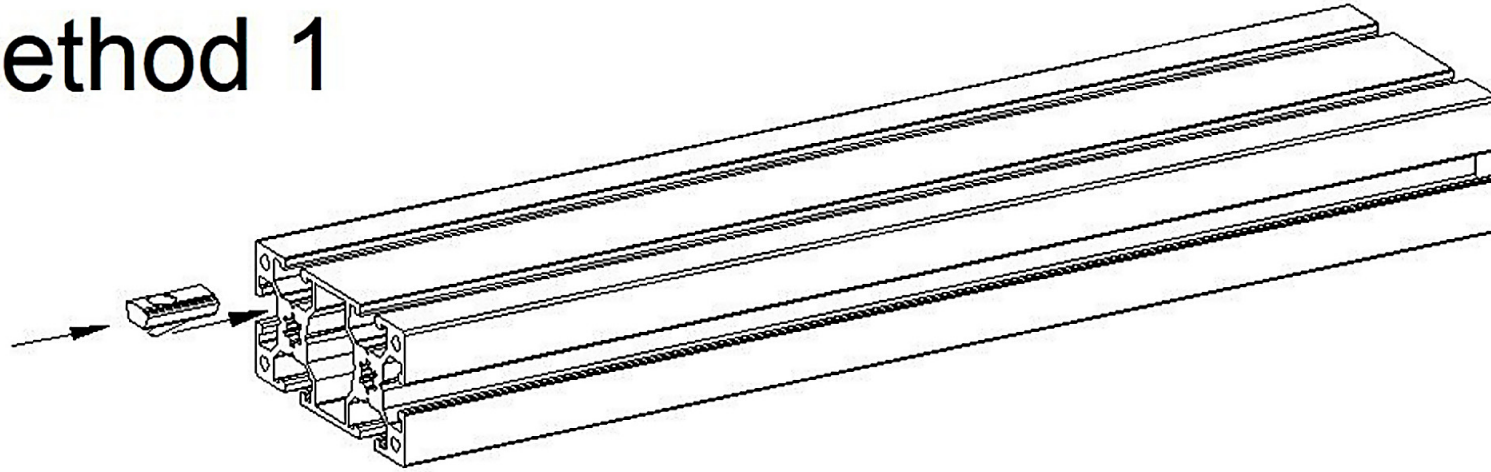


Actuator installation order

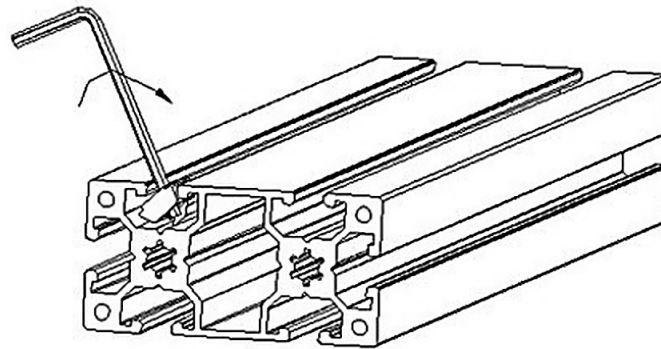


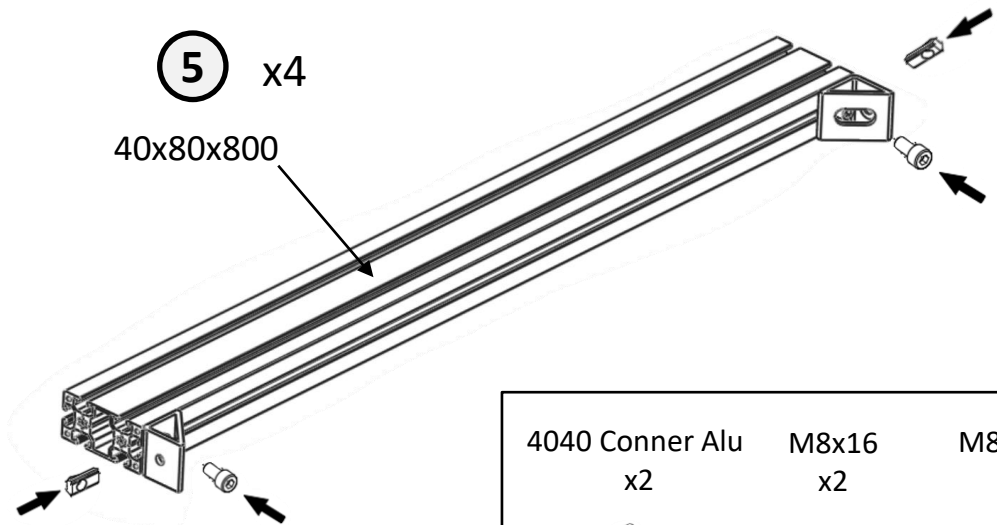
Disclaimer : Before installing or configuring the motion system on your rig, ensure that the surrounding area is completely clear. This helps prevent collisions if the rig moves unexpectedly. Keep the motion rig away from nearby objects such as computer monitors, TVs, mobile phones, etc.

Method 1




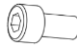

Method 2

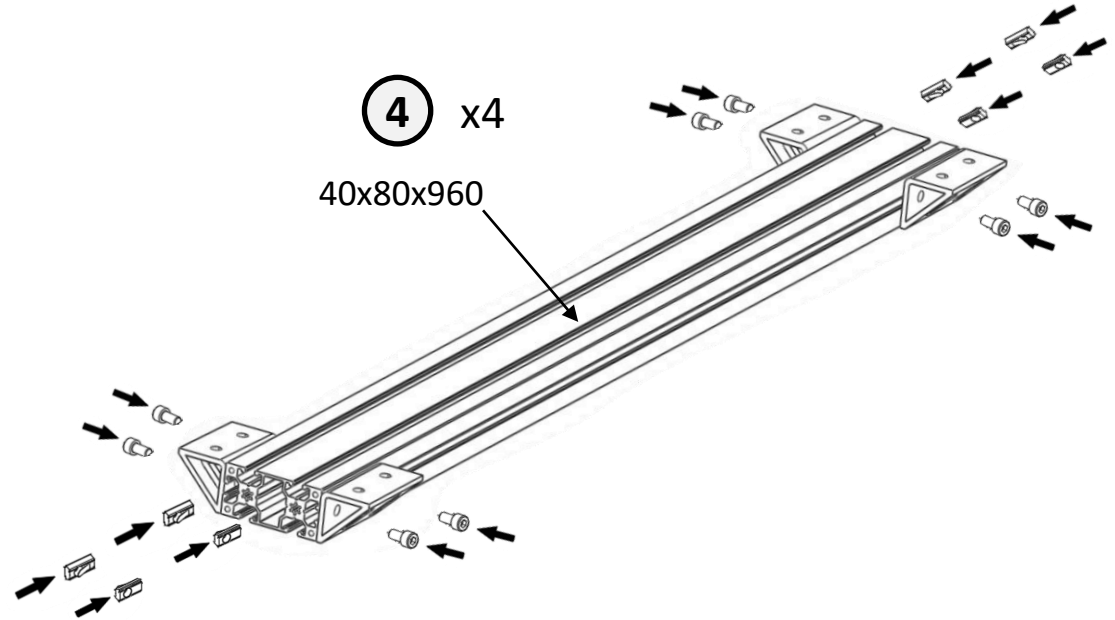




5 x4




40x80x800

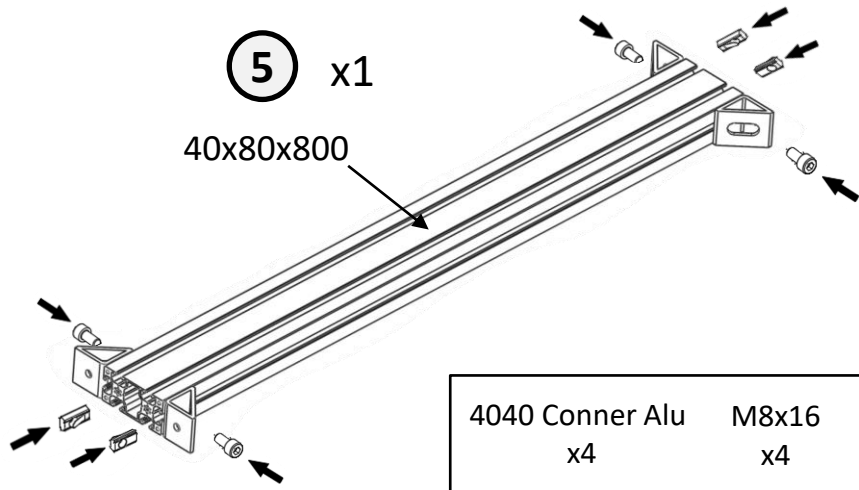
4040 Conner Alu x2	M8x16 x2	M8 Slider x2
		



4 x4


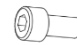

40x80x960

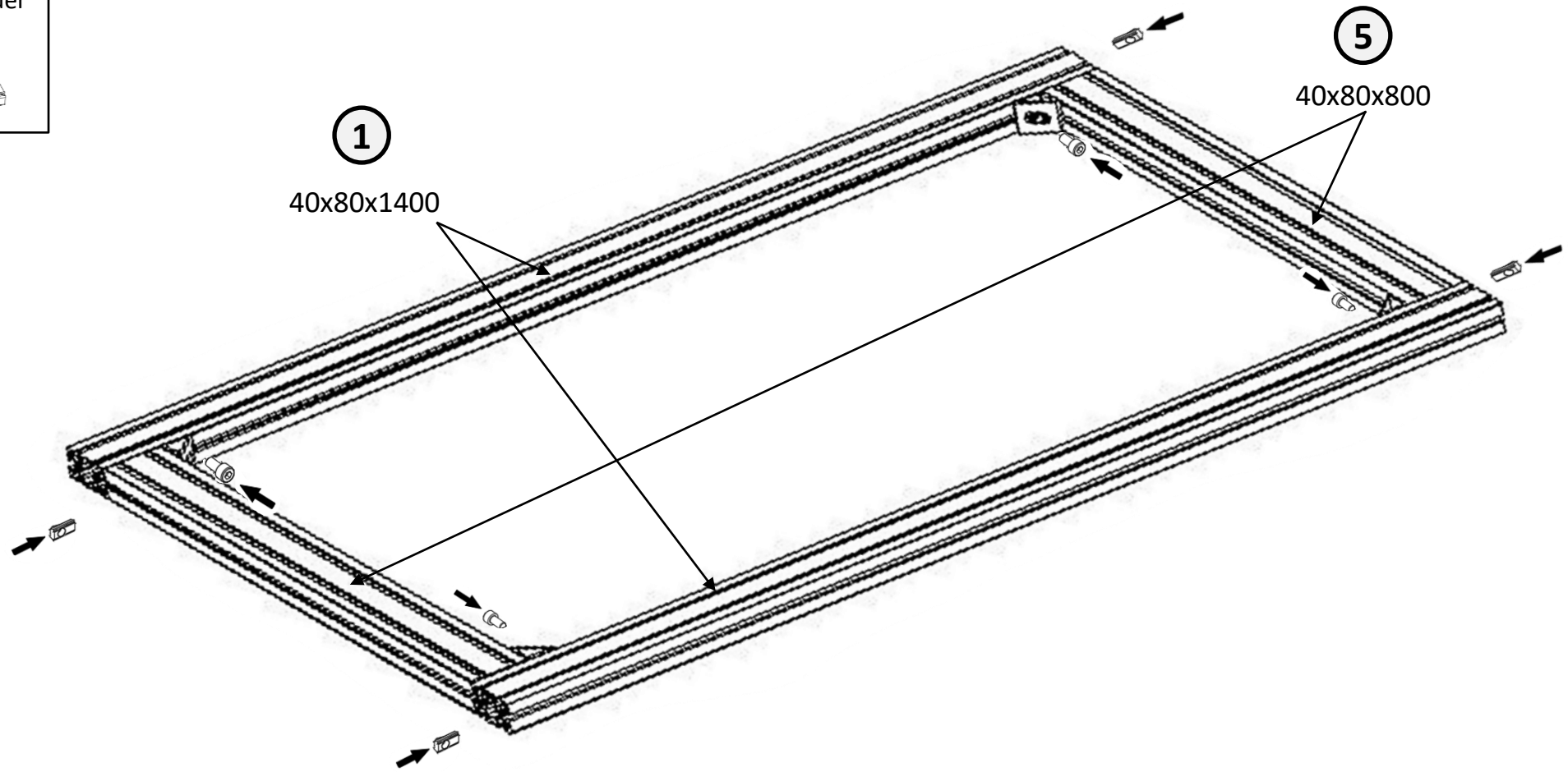
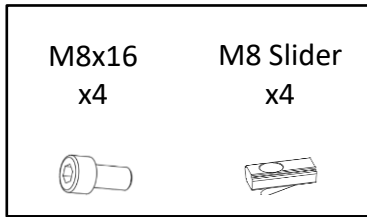
4080 Conner Alu x4	M8x16 x8	M8 Slider x8
		

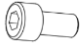



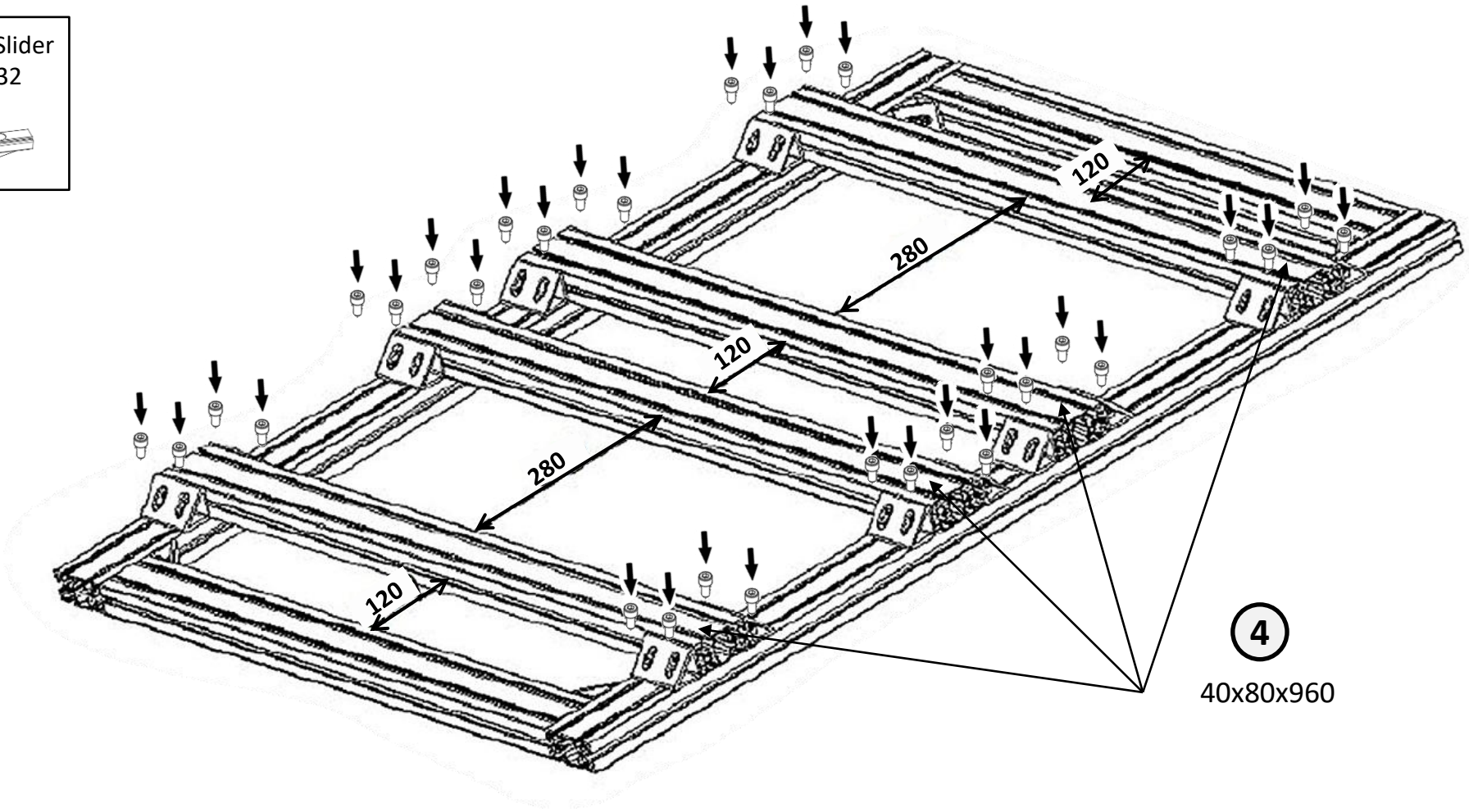
5 x1

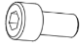



40x80x800

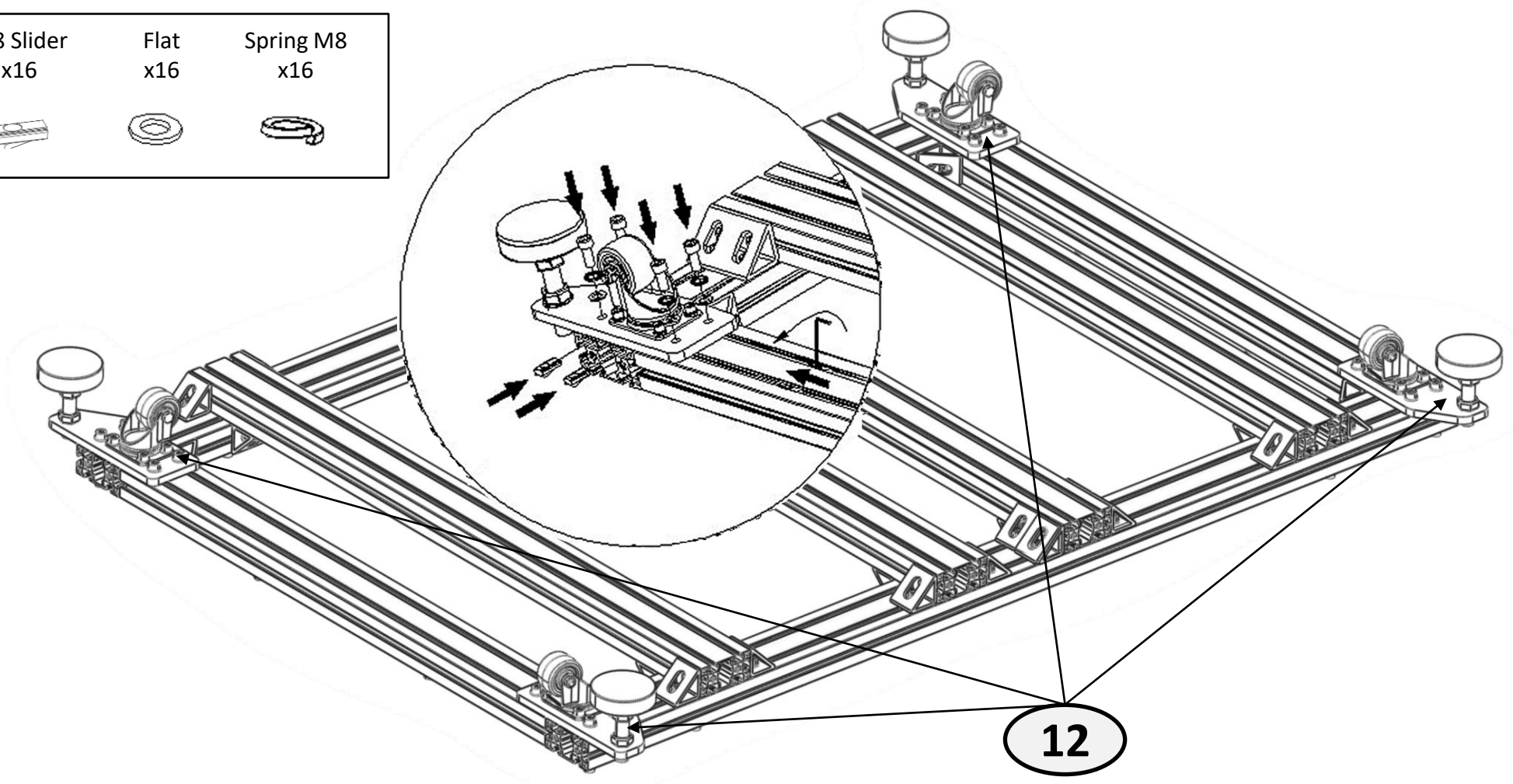
4040 Conner Alu x4	M8x16 x4	M8 Slider x4
		



M8x16 x32	M8 Slider x32
	

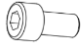





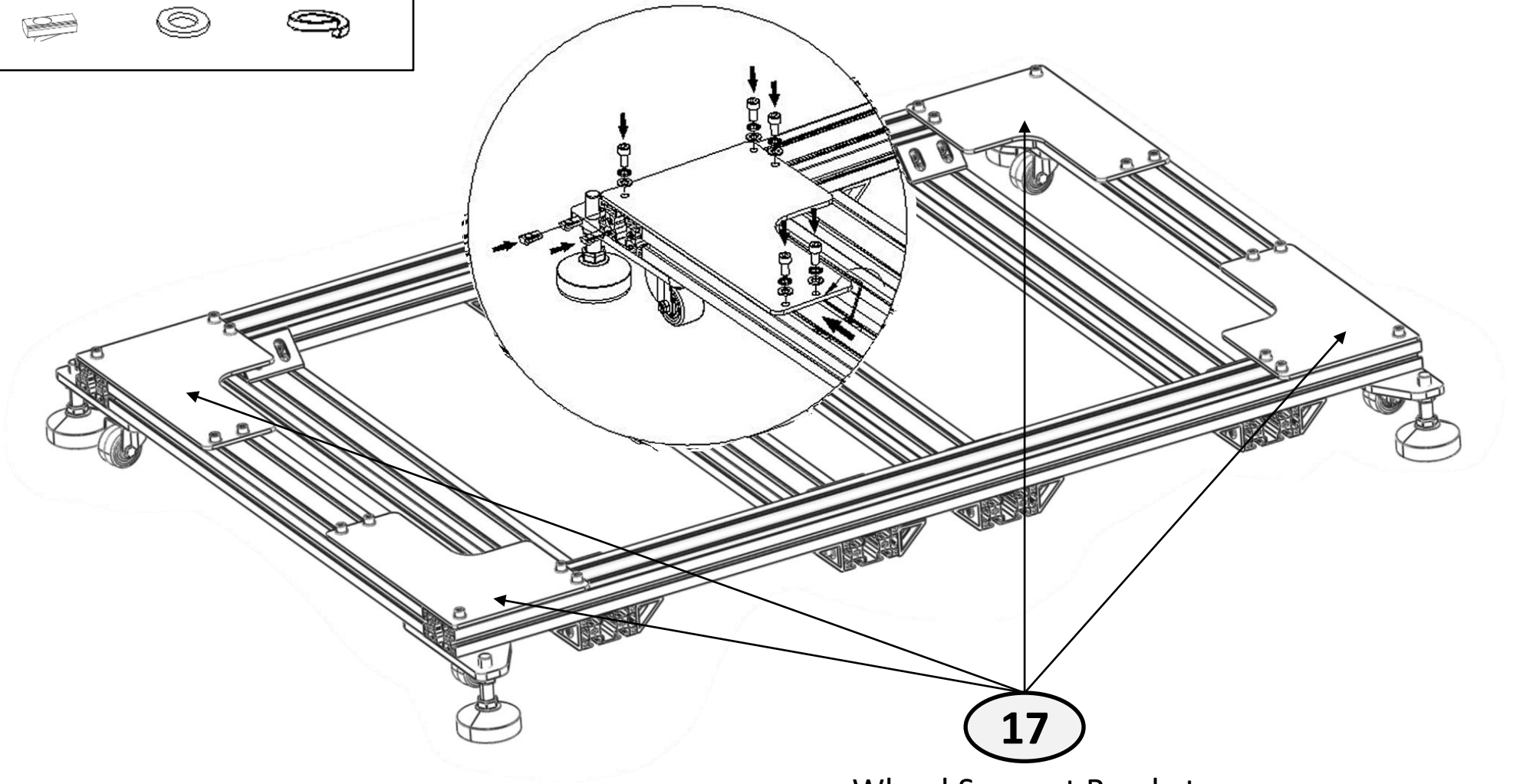
M8x20 x16	M8 Slider x16	Flat x16	Spring M8 x16
			



12

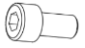

Foot Motion

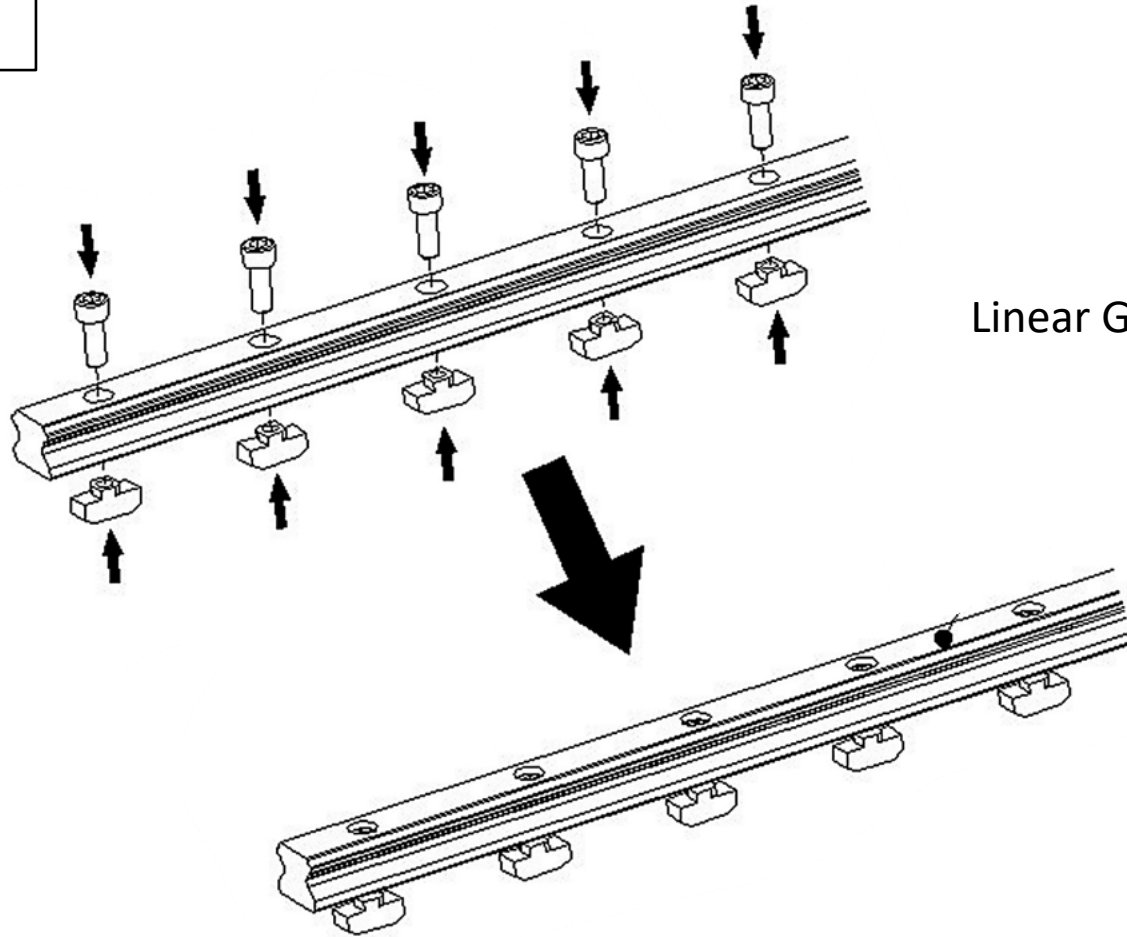
M8x16 x20	M8 Slider x20	Flat x20	Spring M8 x20
			



17

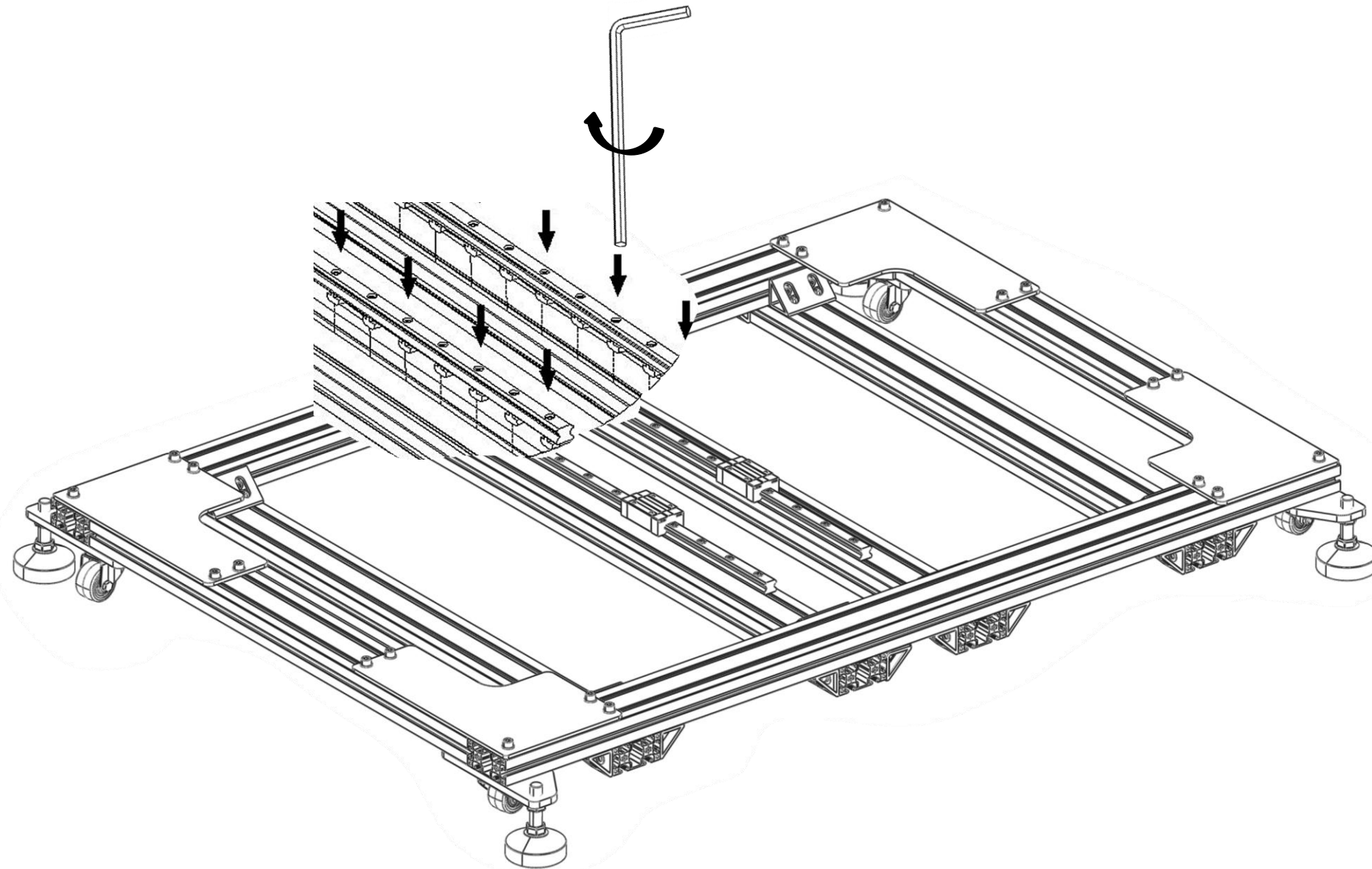
Wheel Support Bracket

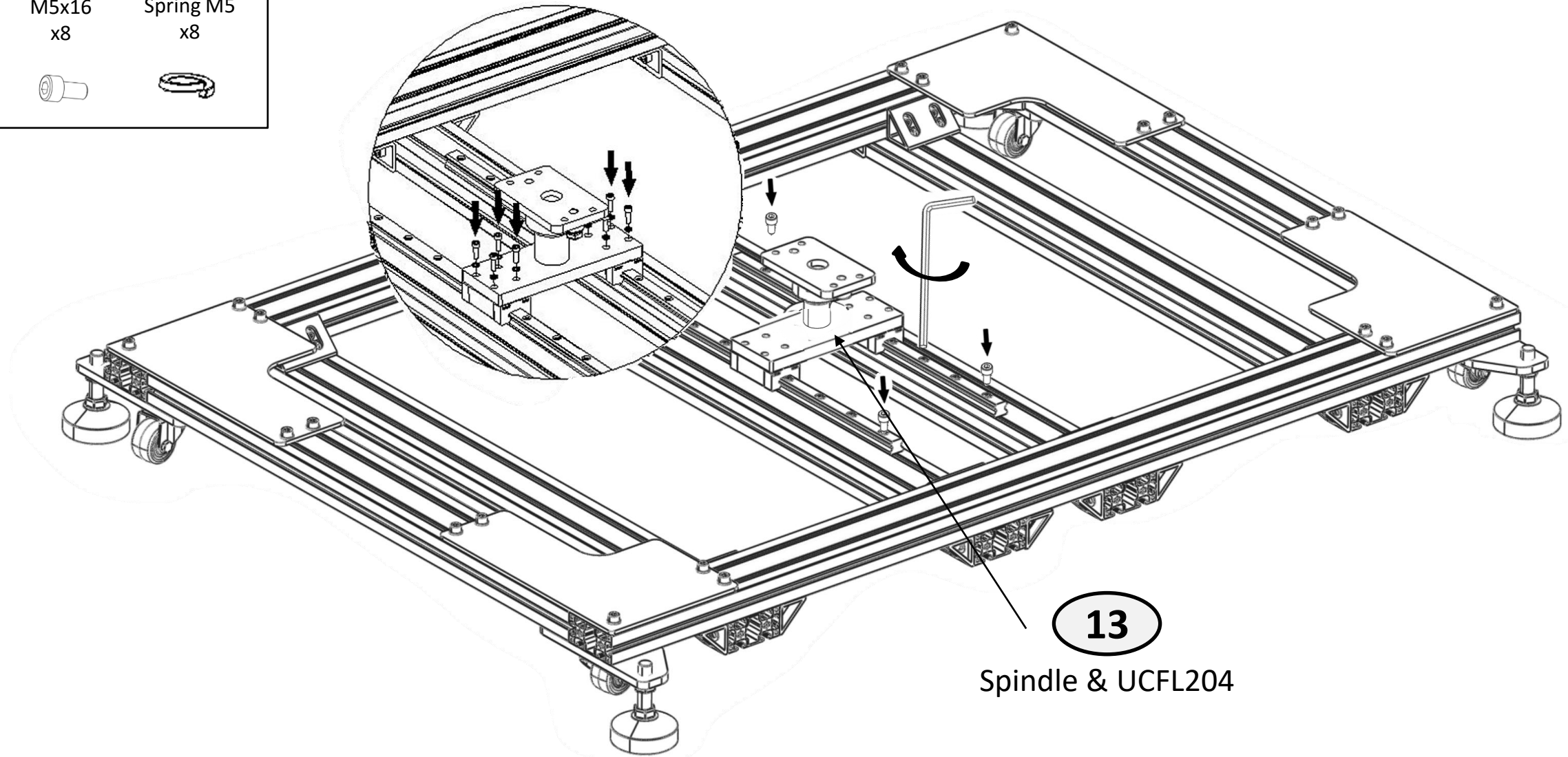
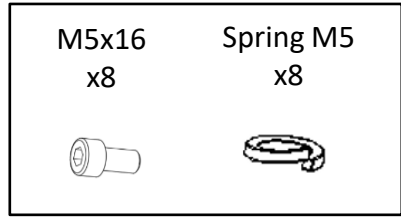
M6x16 x9	T Nut M6 x9
	



11

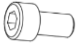


Linear Guide Rail Assembly
520mm

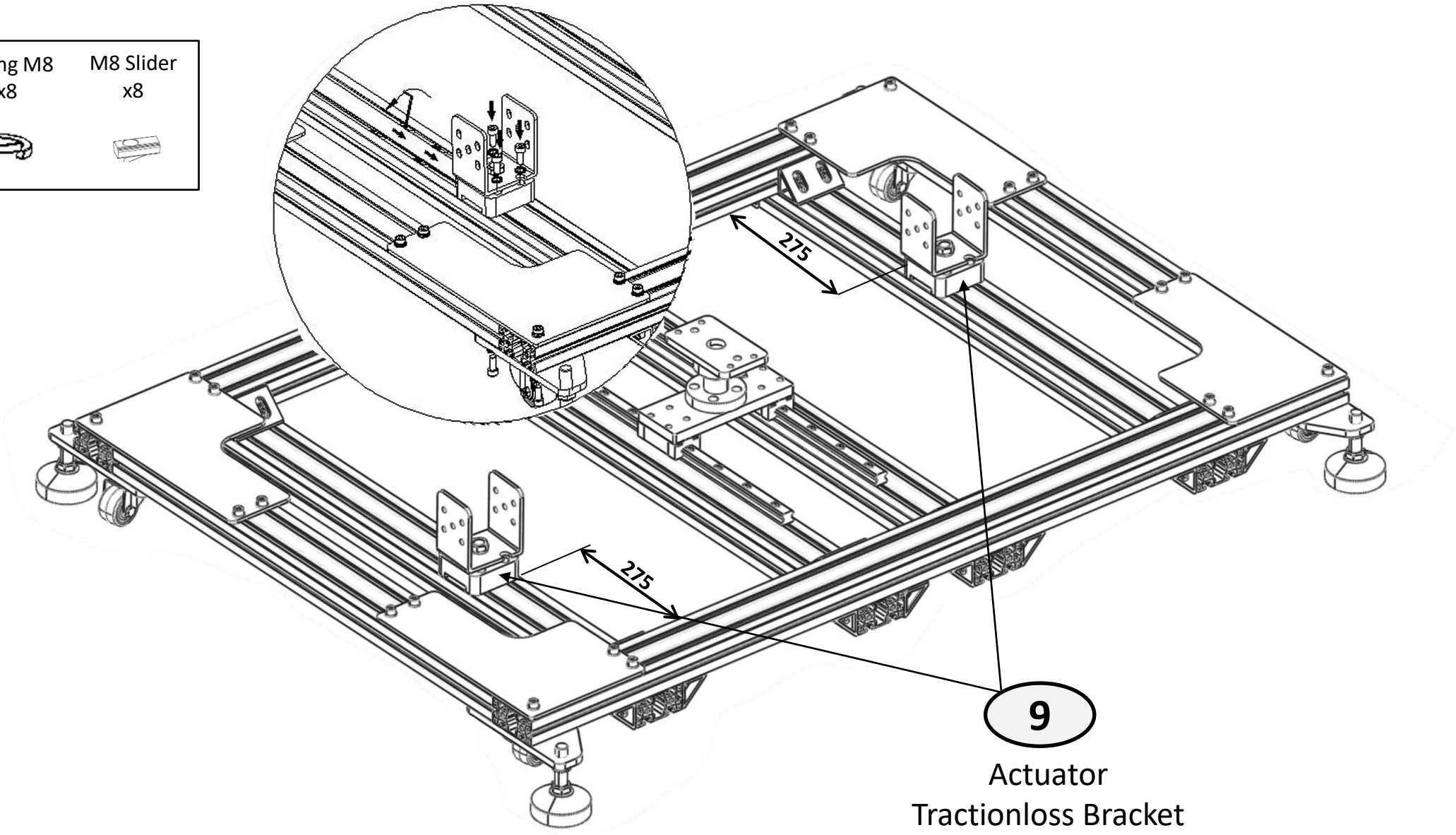




13
Spindle & UCFL204

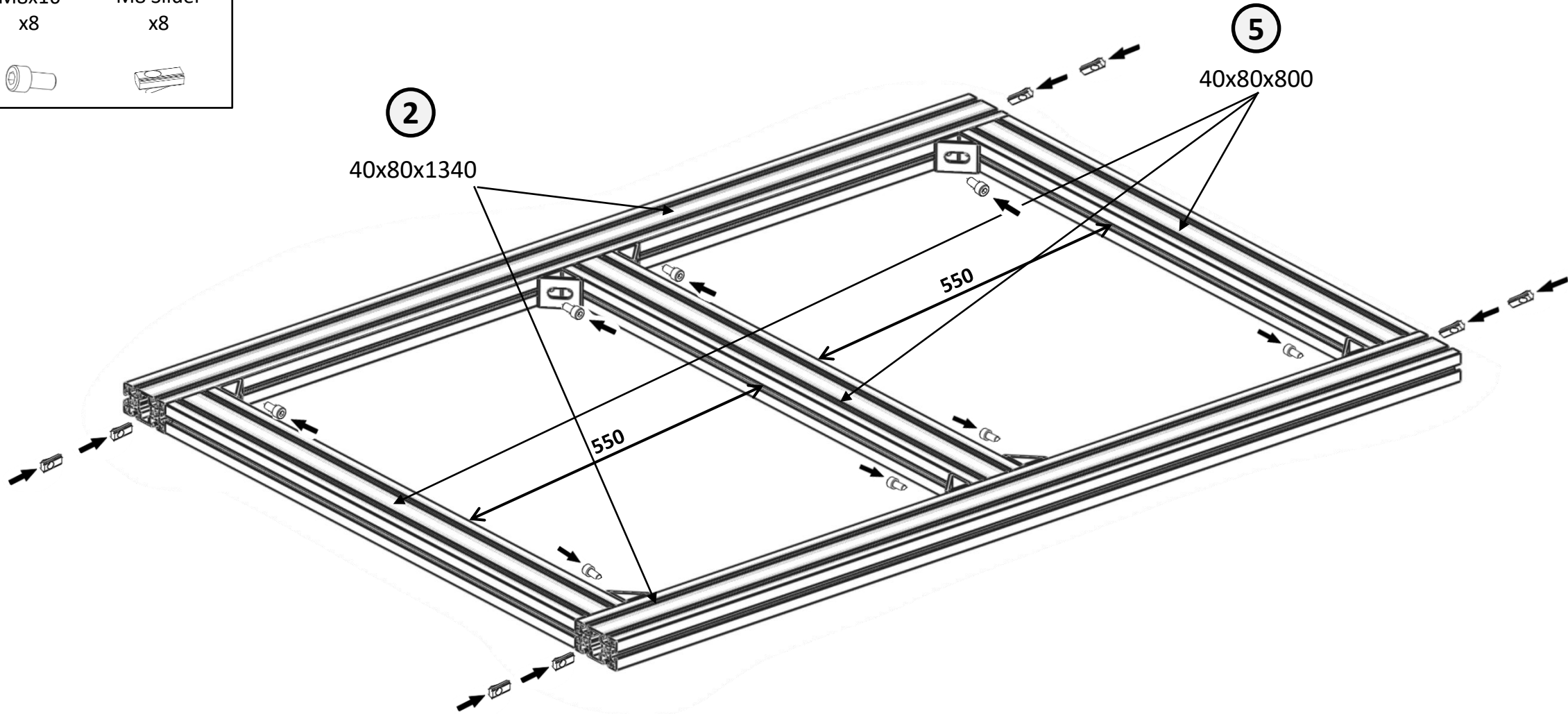
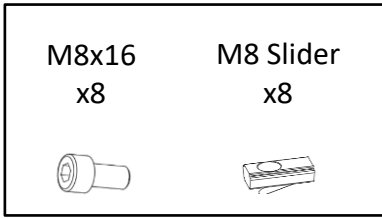
Fully tighten the screws at this step. Install M8 screws at both ends of the rail to **prevent** the carriage from **sliding off**.

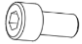



M8x20 x8	Spring M8 x8	M8 Slider x8
		



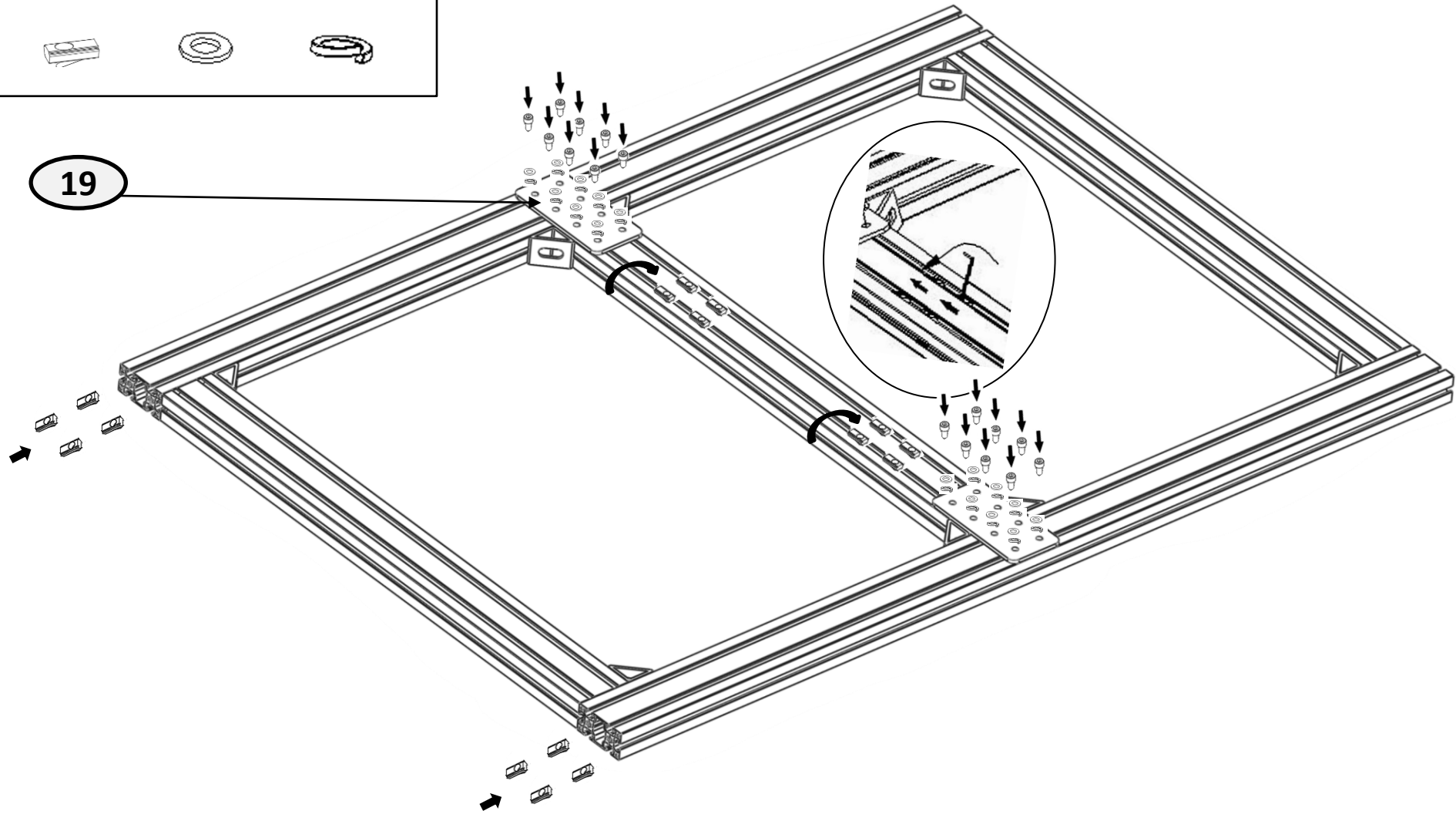
9

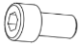



Actuator
Tractionloss Bracket

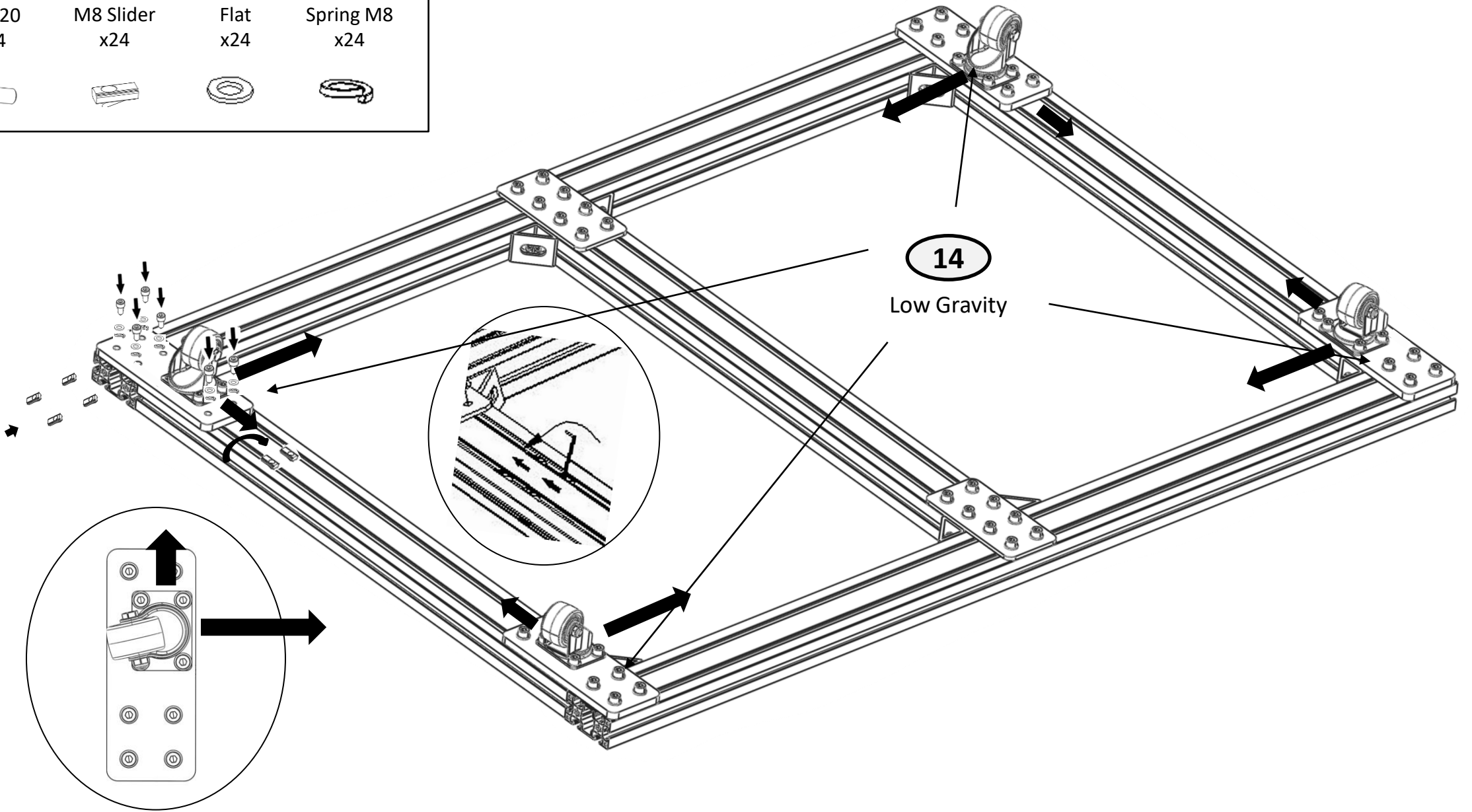


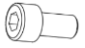

M8x16 x16	M8 Slider x16	Flat x16	Spring M8 x16
			

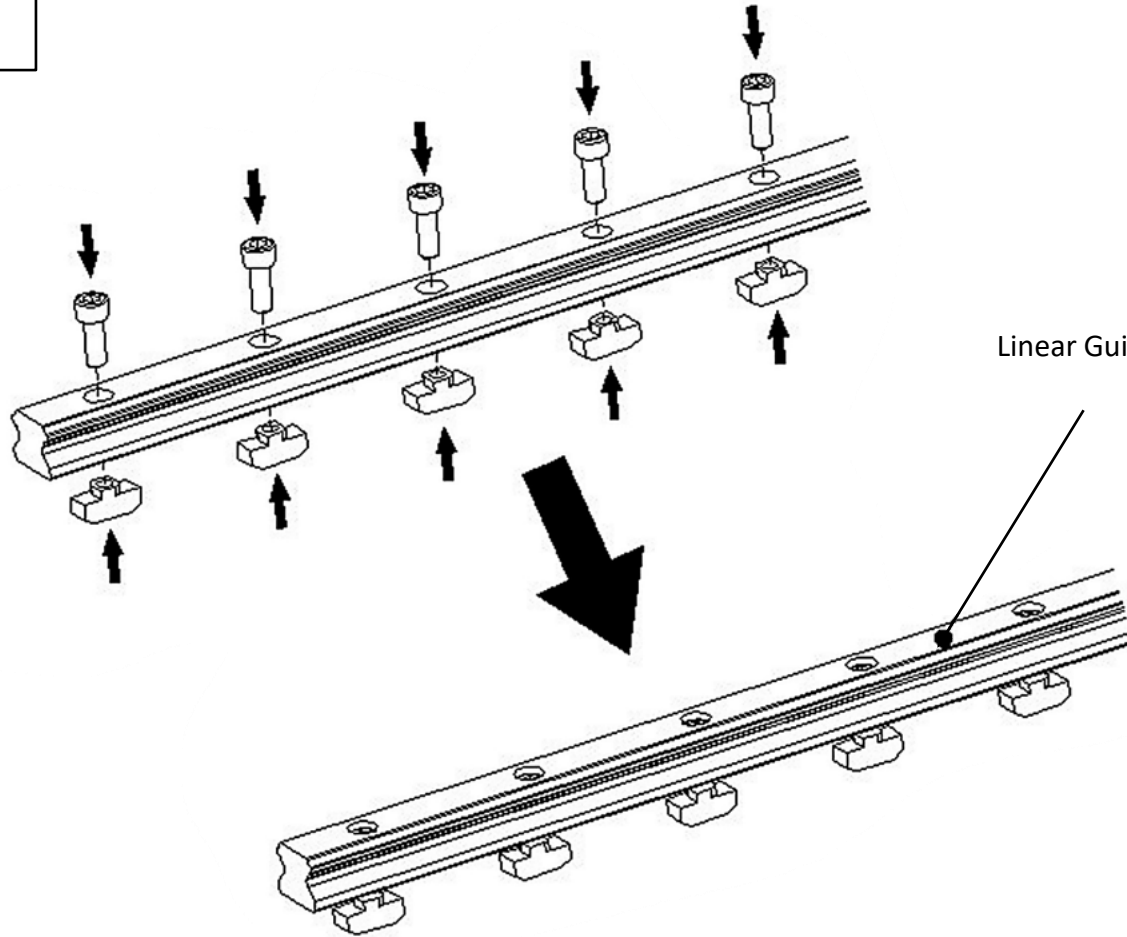
19



M8x20 x24	M8 Slider x24	Flat x24	Spring M8 x24
			

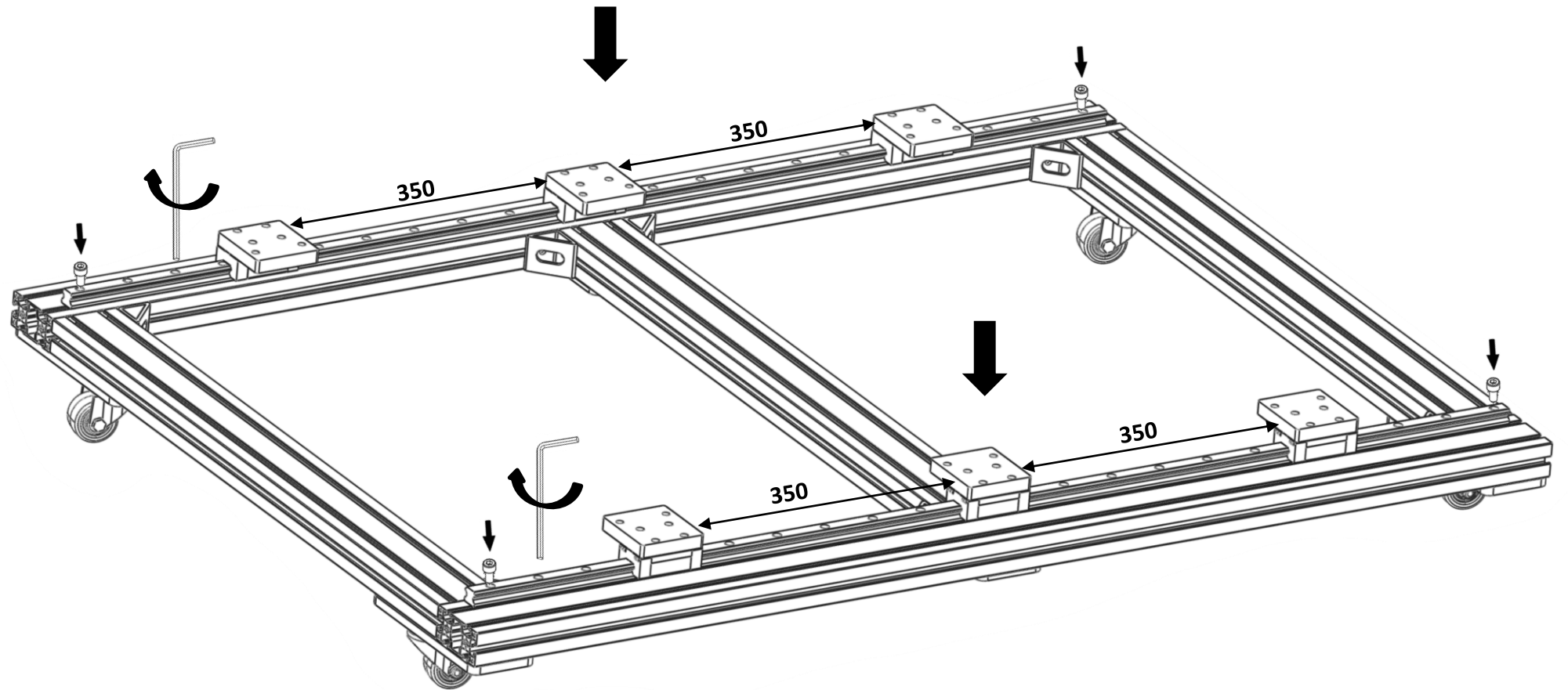


M6x16 x22	T Nut M6 x22
	

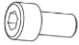





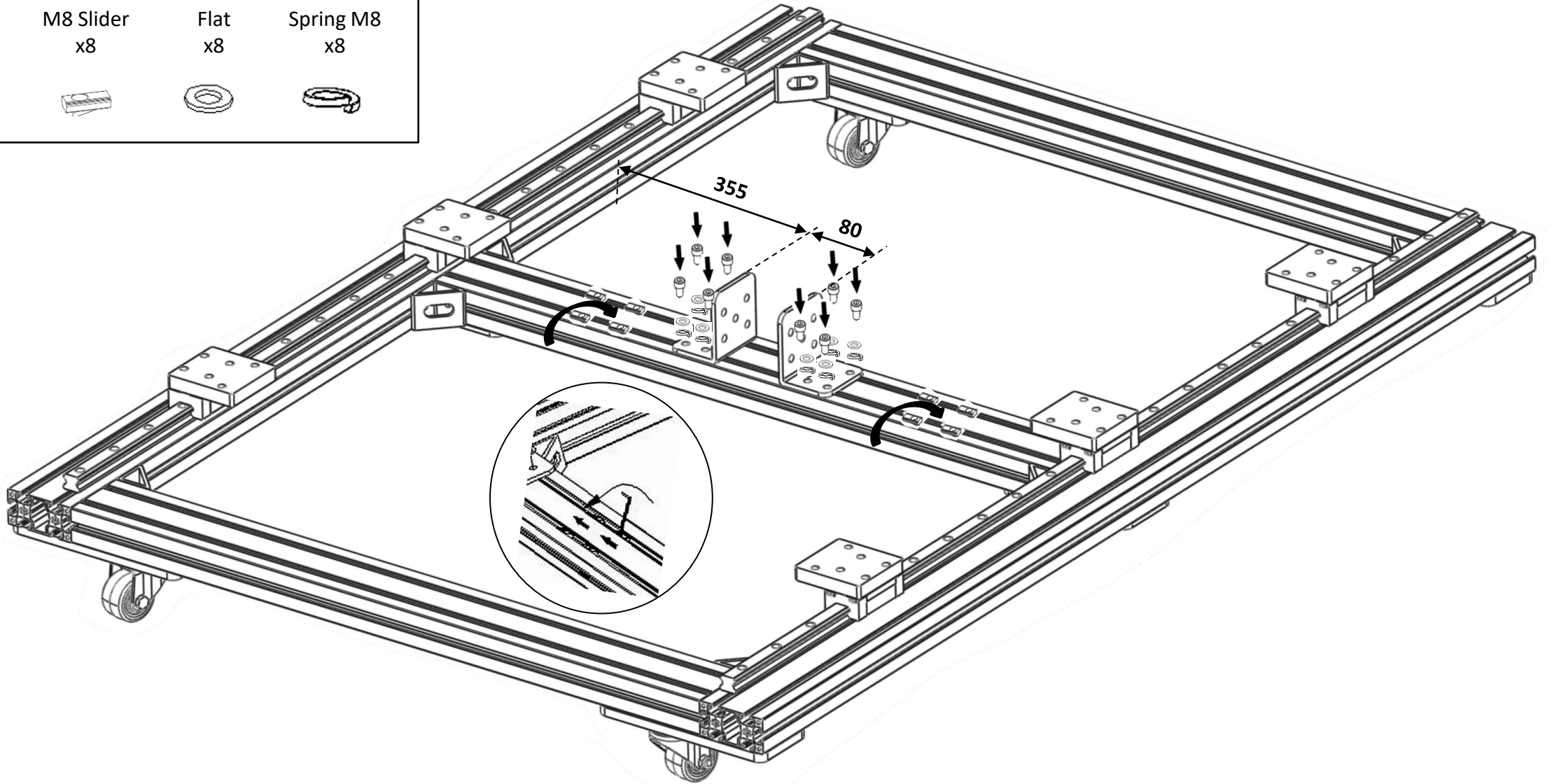
10

Linear Guide Rail Assembly 1300mm

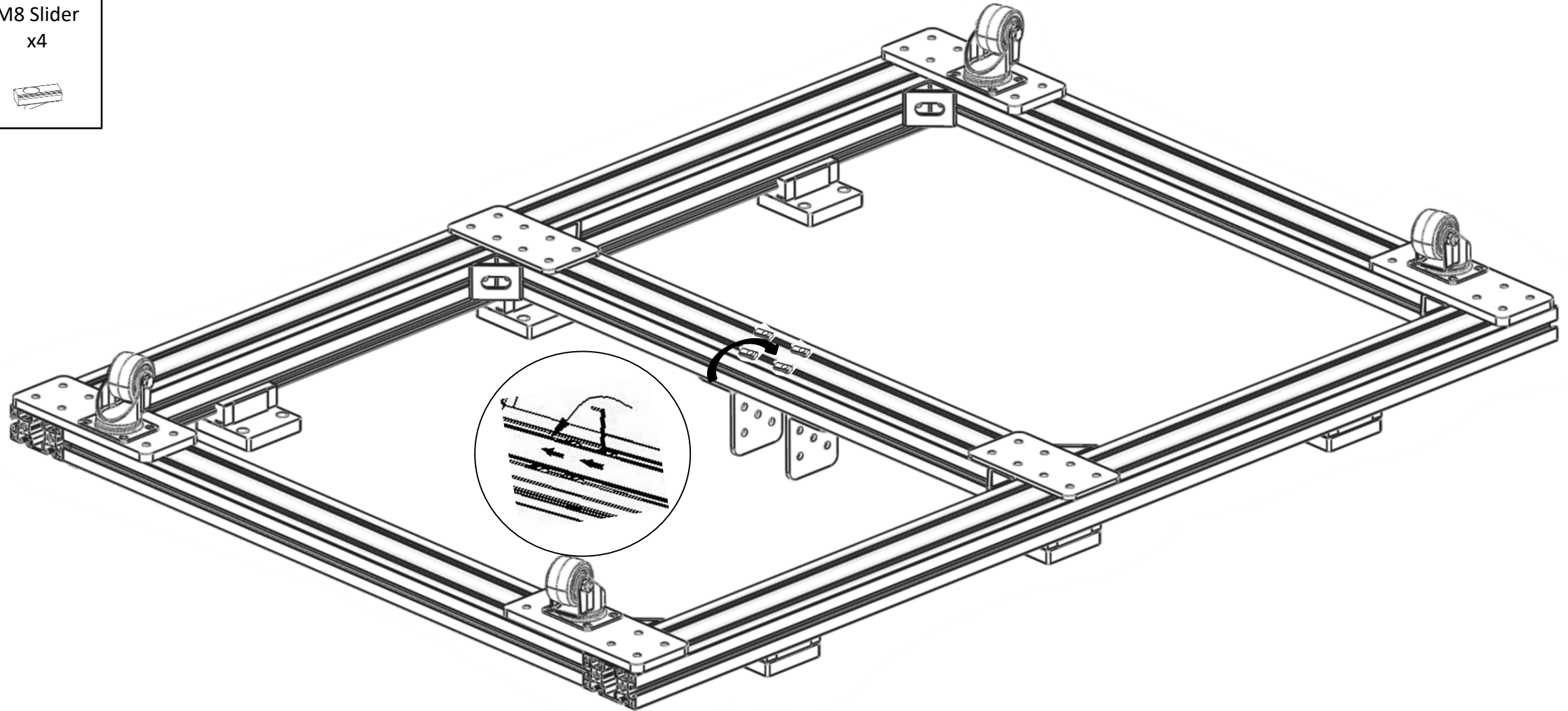


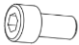


Install M8 screws at both ends of the rail **to prevent** the carriage from **sliding off**.

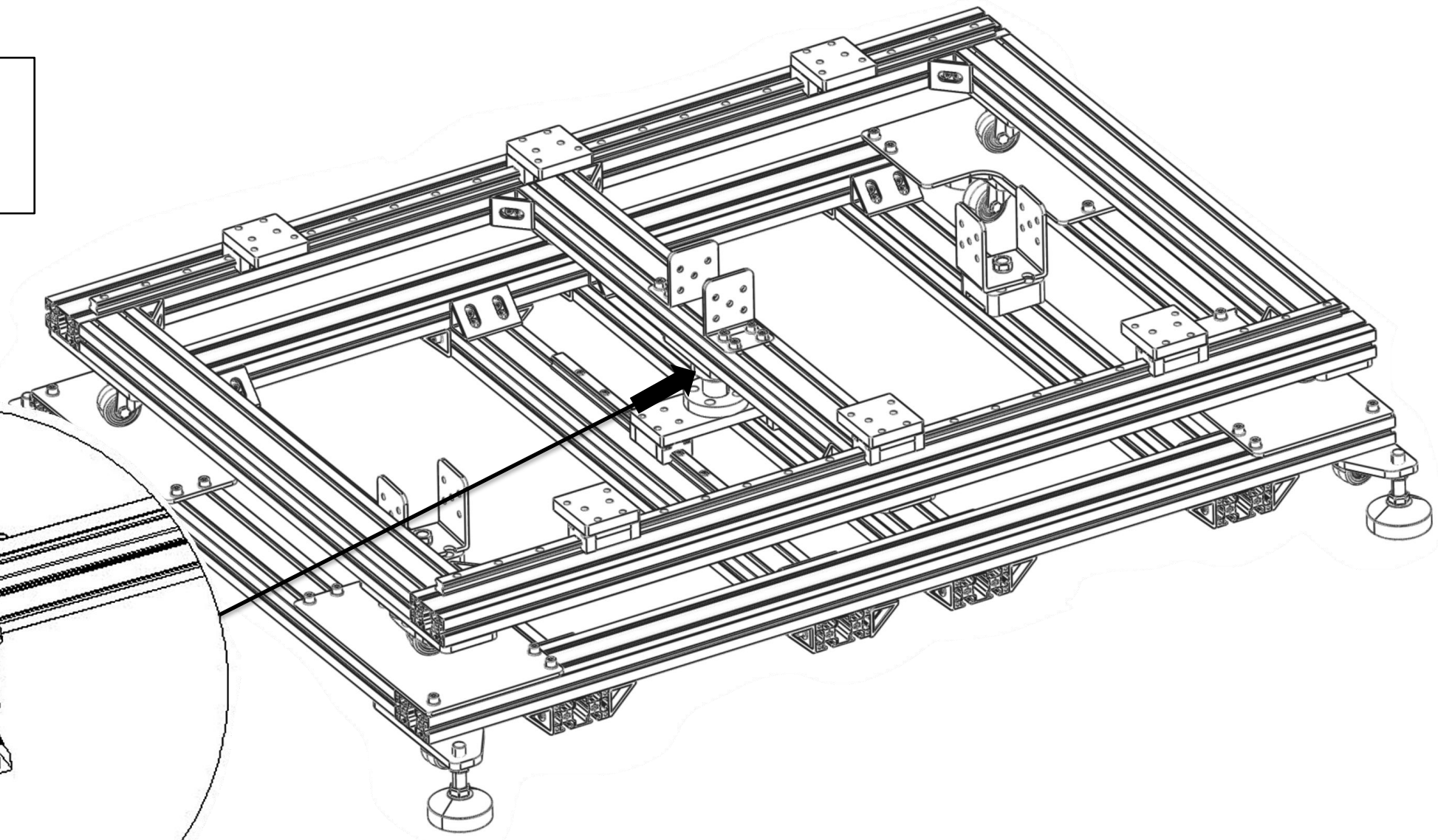
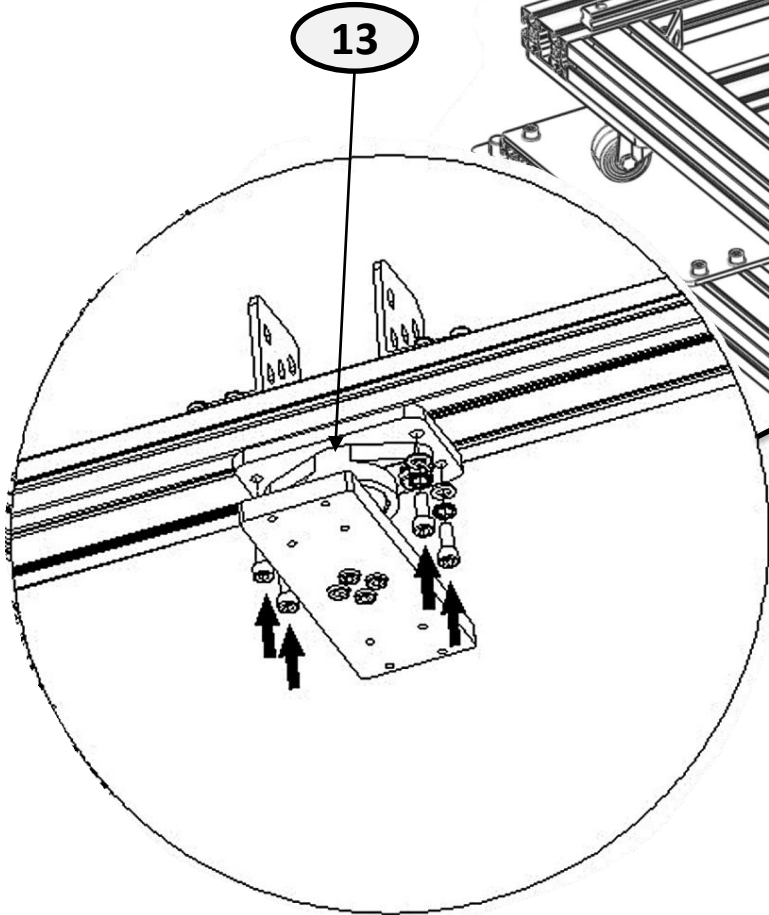
M8x16 x8	M8 Slider x8	Flat x8	Spring M8 x8
			





M8 Slider
x4



M8x20 x4	Flat x4	Spring M8 x4
		

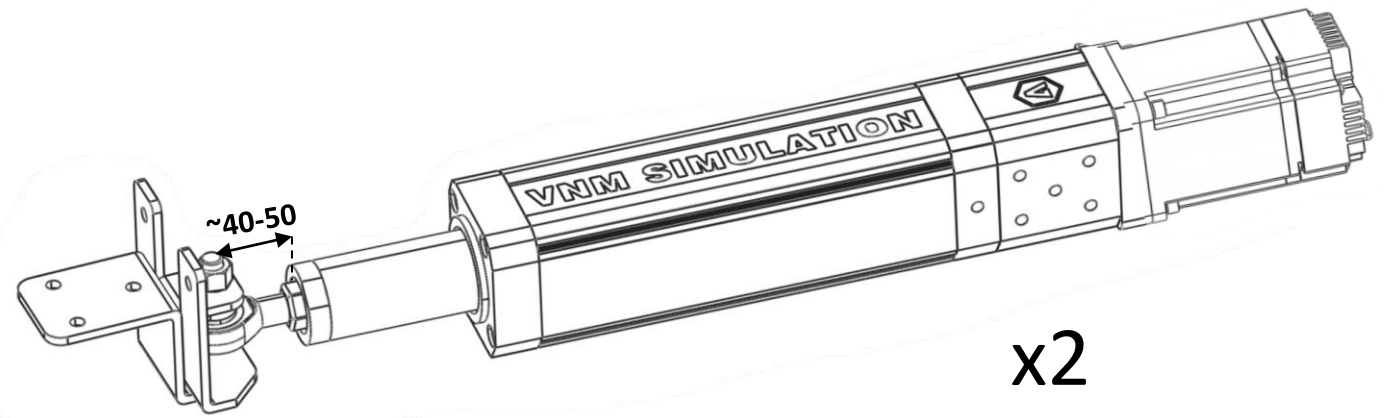
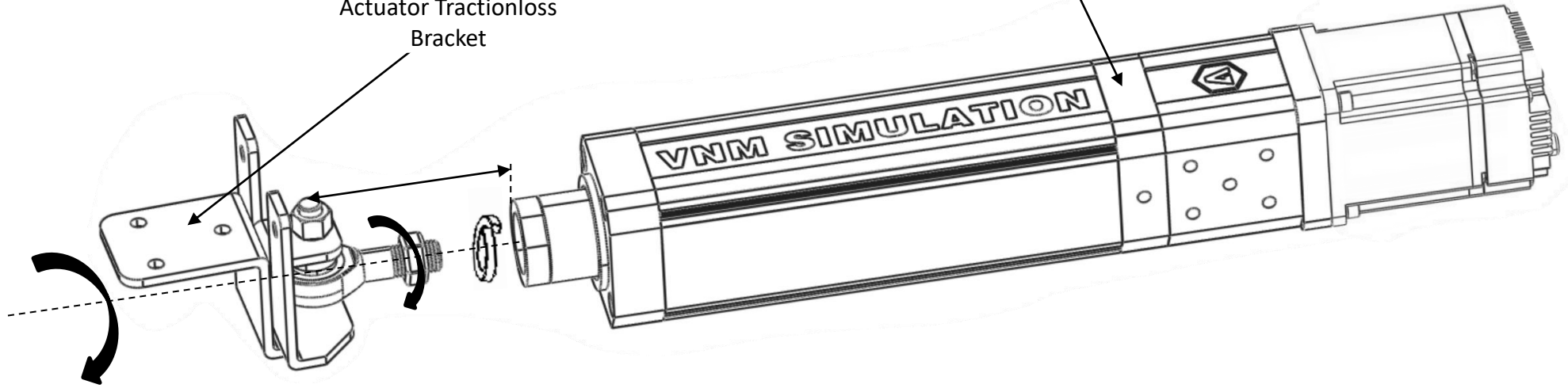


Nut M16 x1	Spring M16 x1
	

8
VNM Actuator 150mm

9

Actuator Tractionloss
Bracket



M8x16
x10



M8 Slider
x10



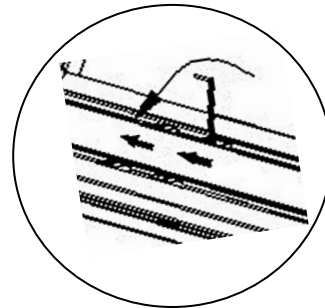
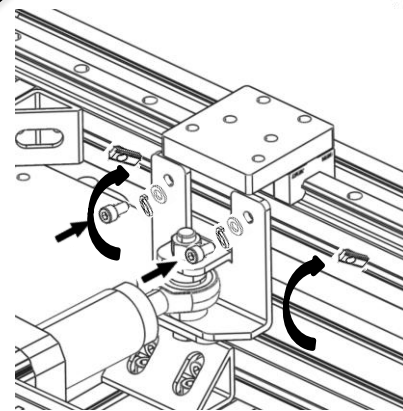
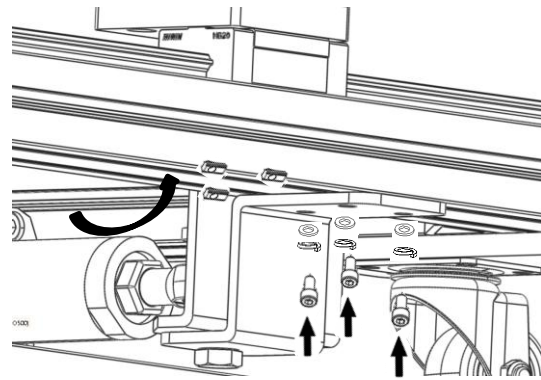
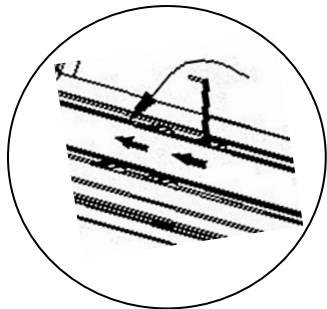
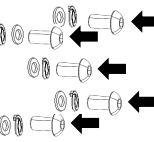
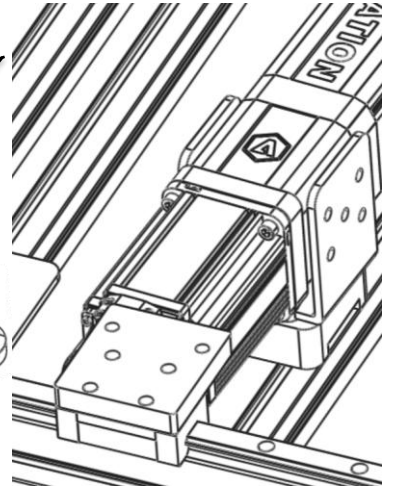
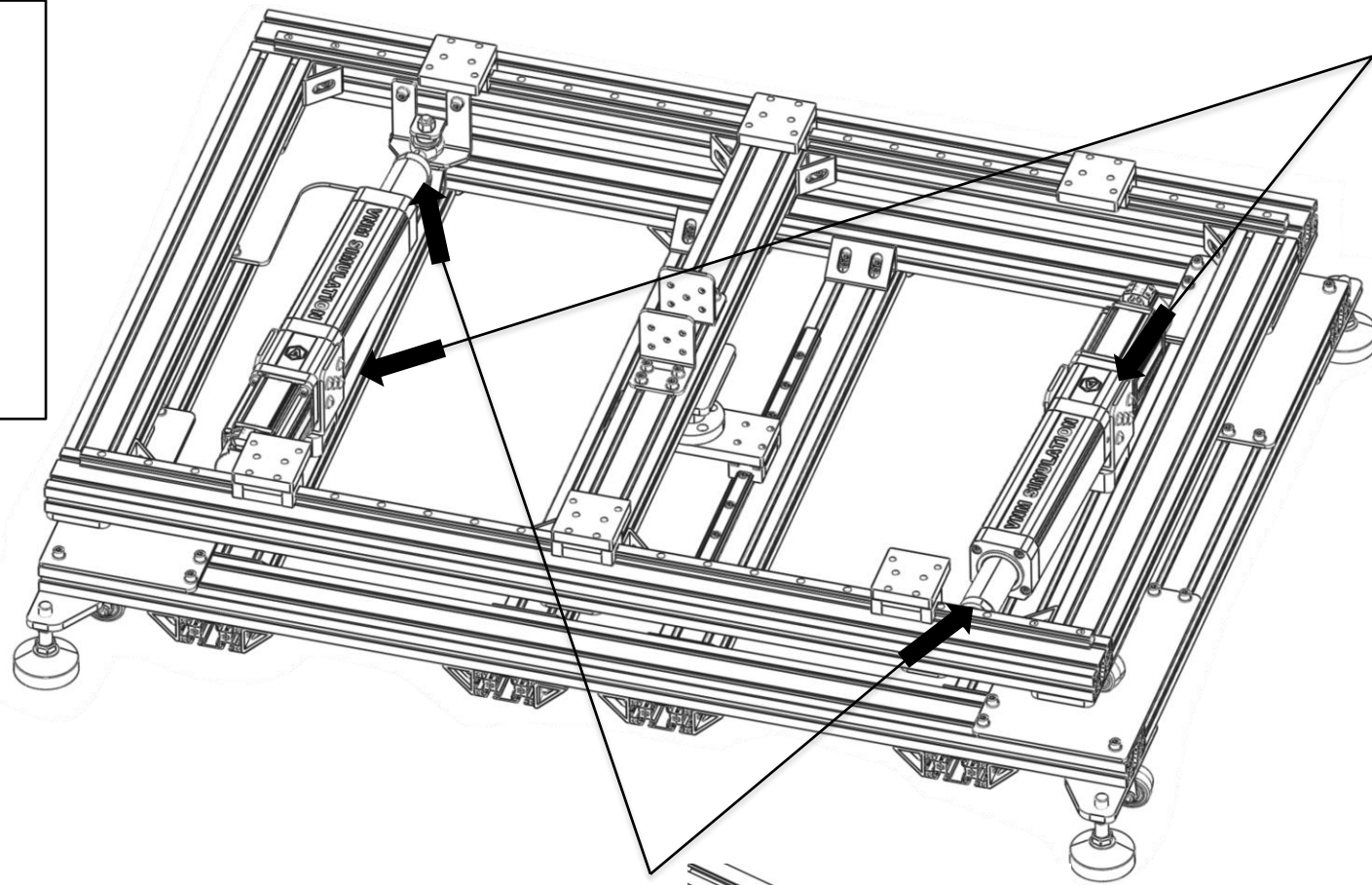
Flat
x30






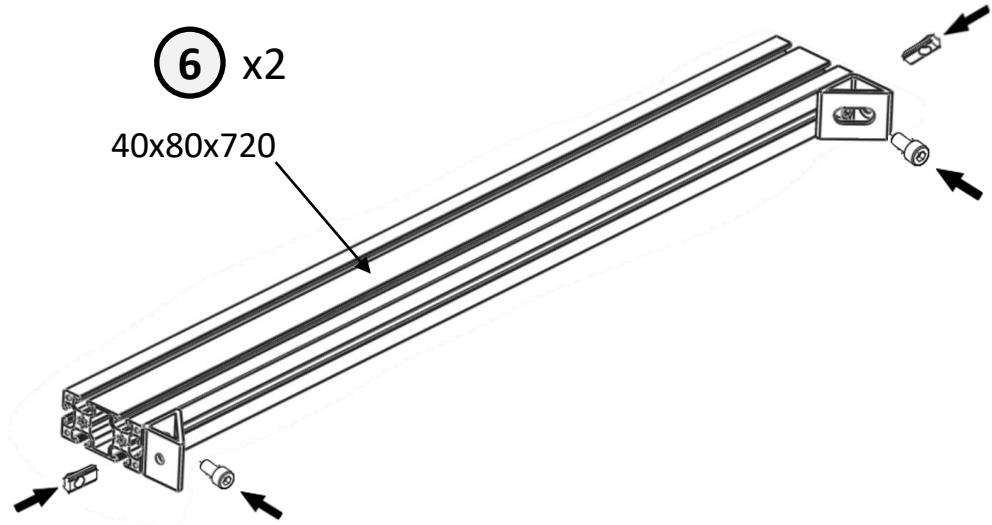
Spring M8
x30

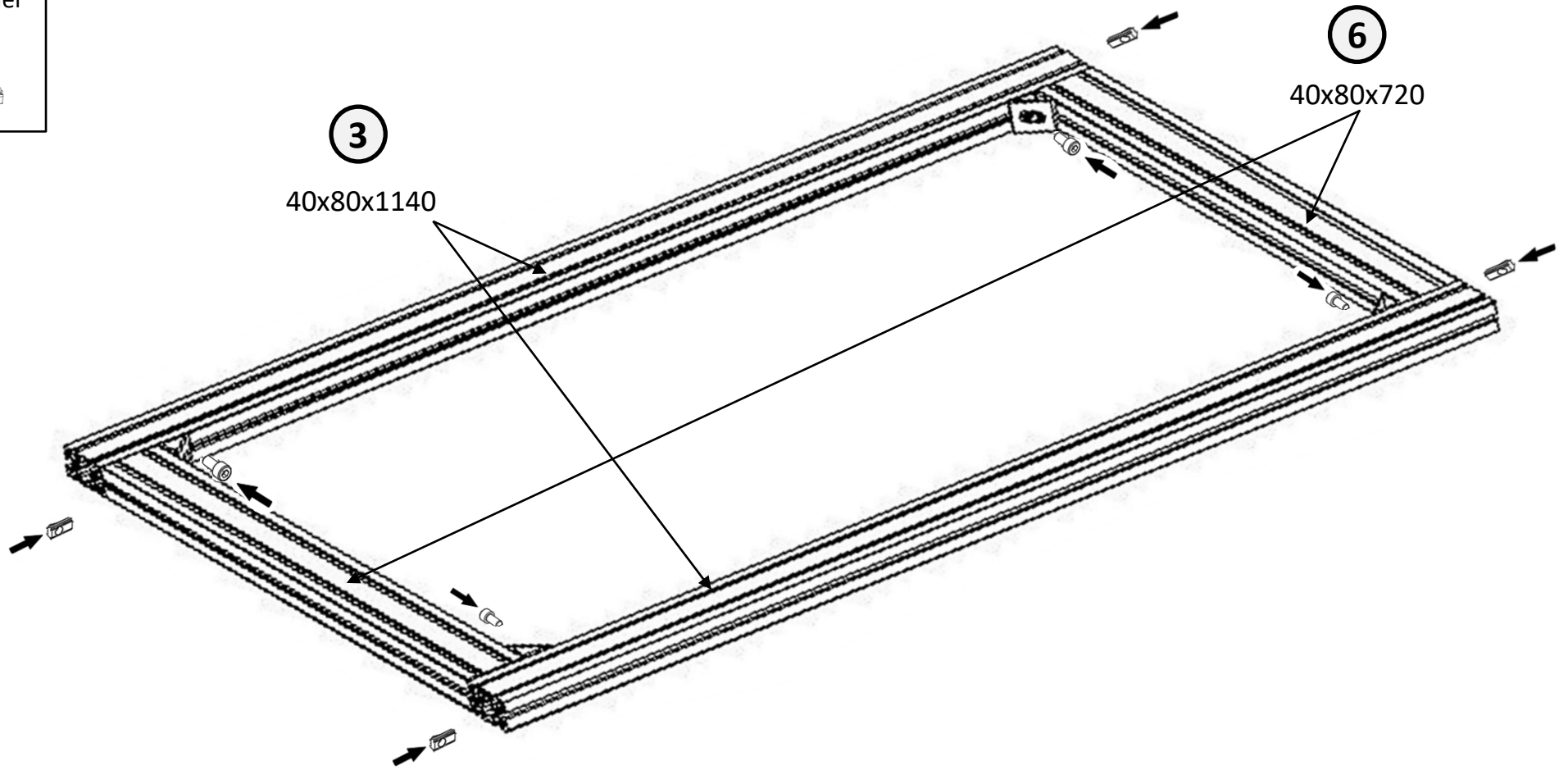
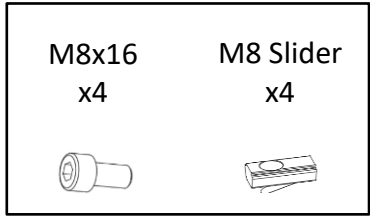


Mo M8x16
x20



4040 Conner Alu x2	M8x16 x2	M8 Slider x2
		





M8x16
x32



M8 Slider
x32



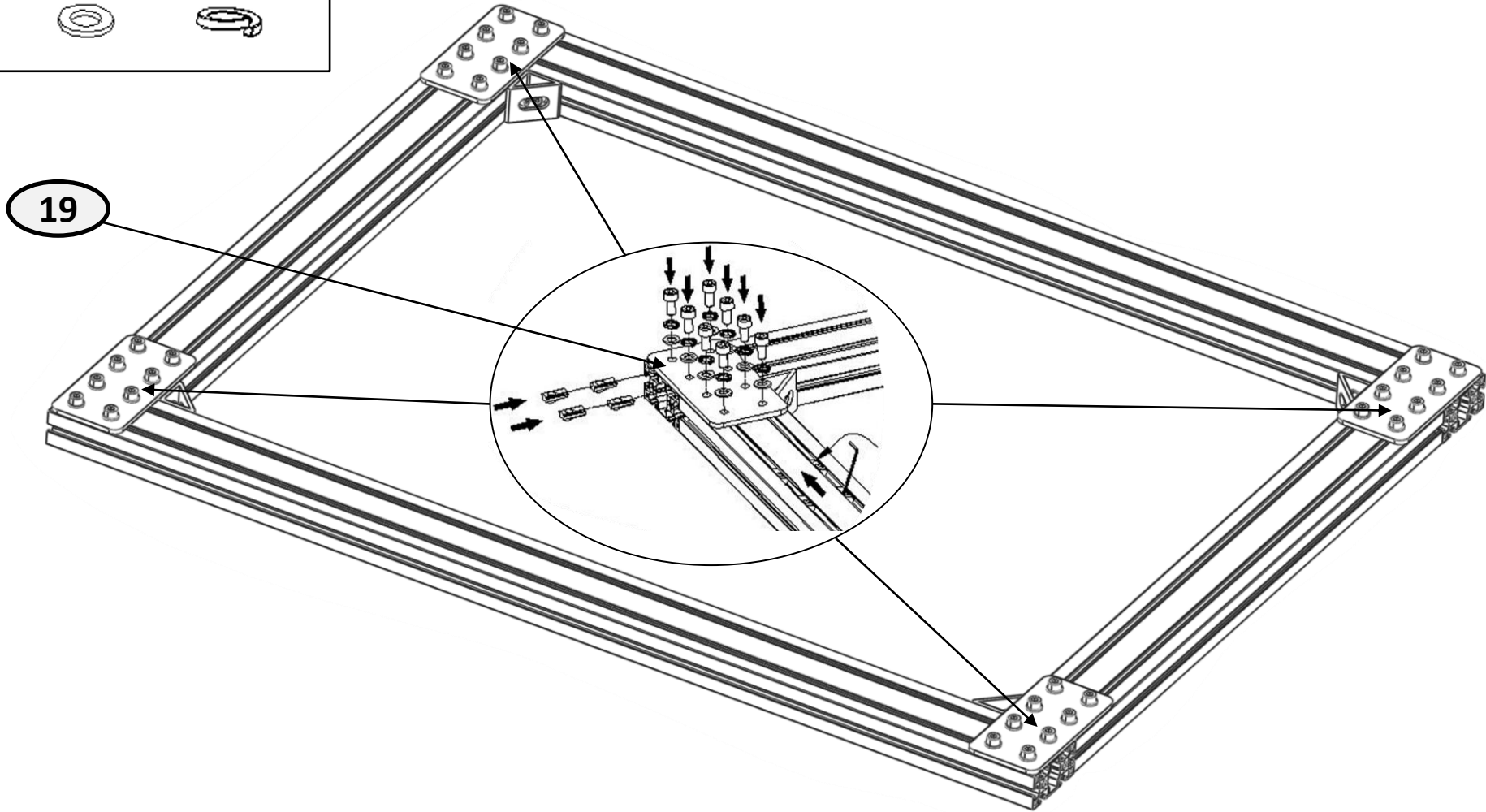
Flat
x32

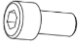



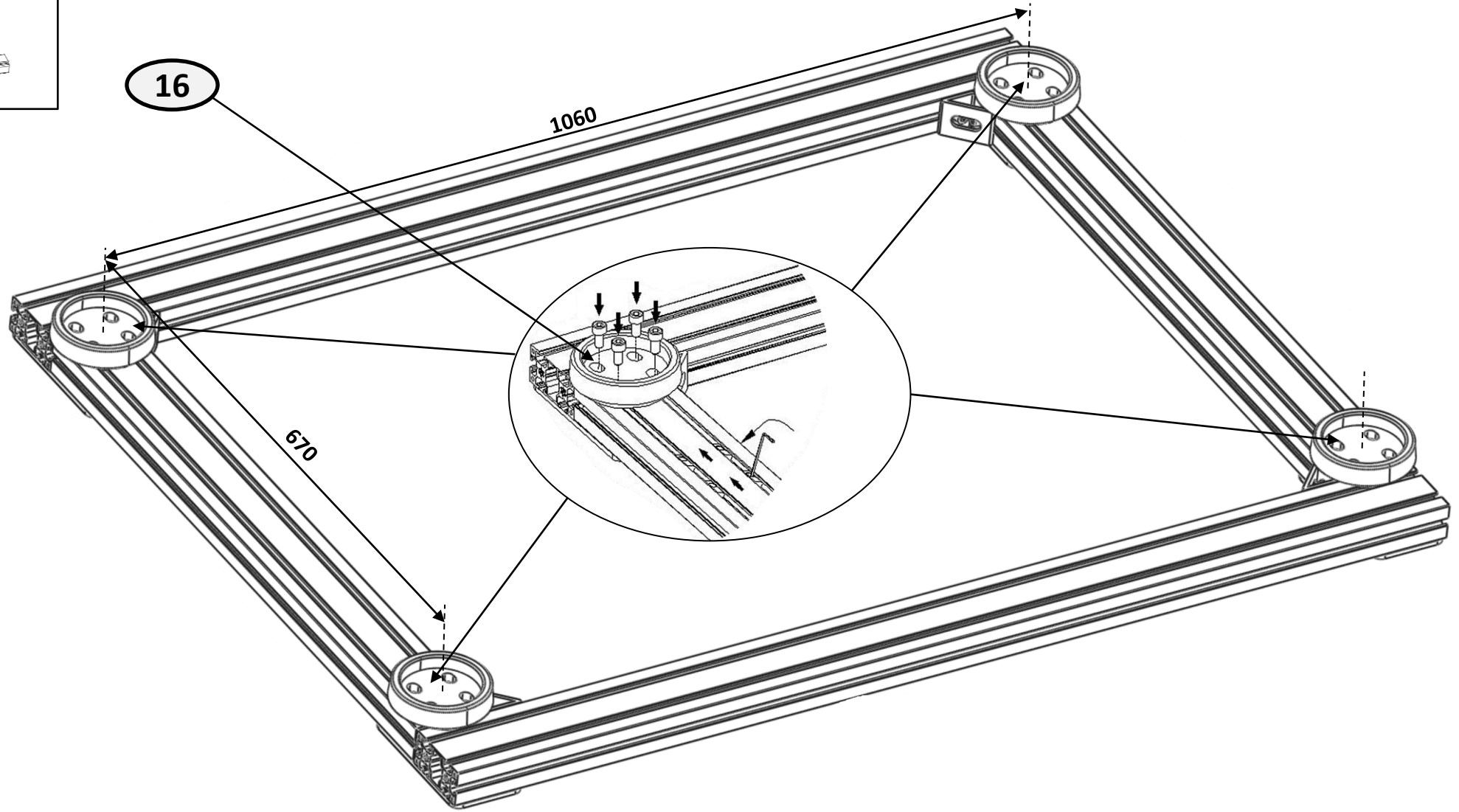
Spring M8
x32



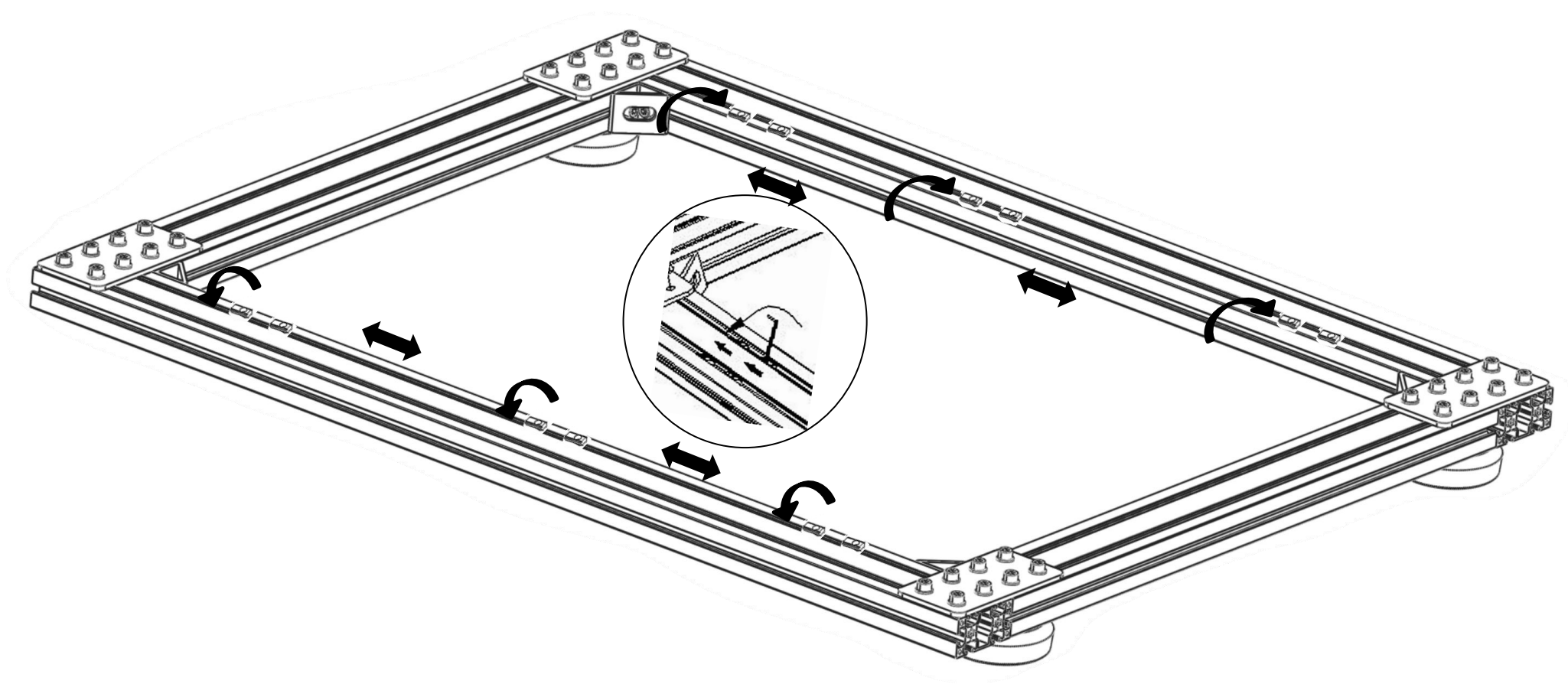
19

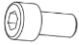



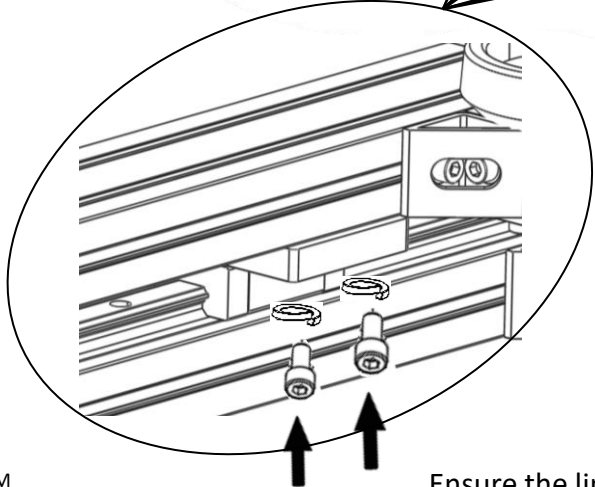
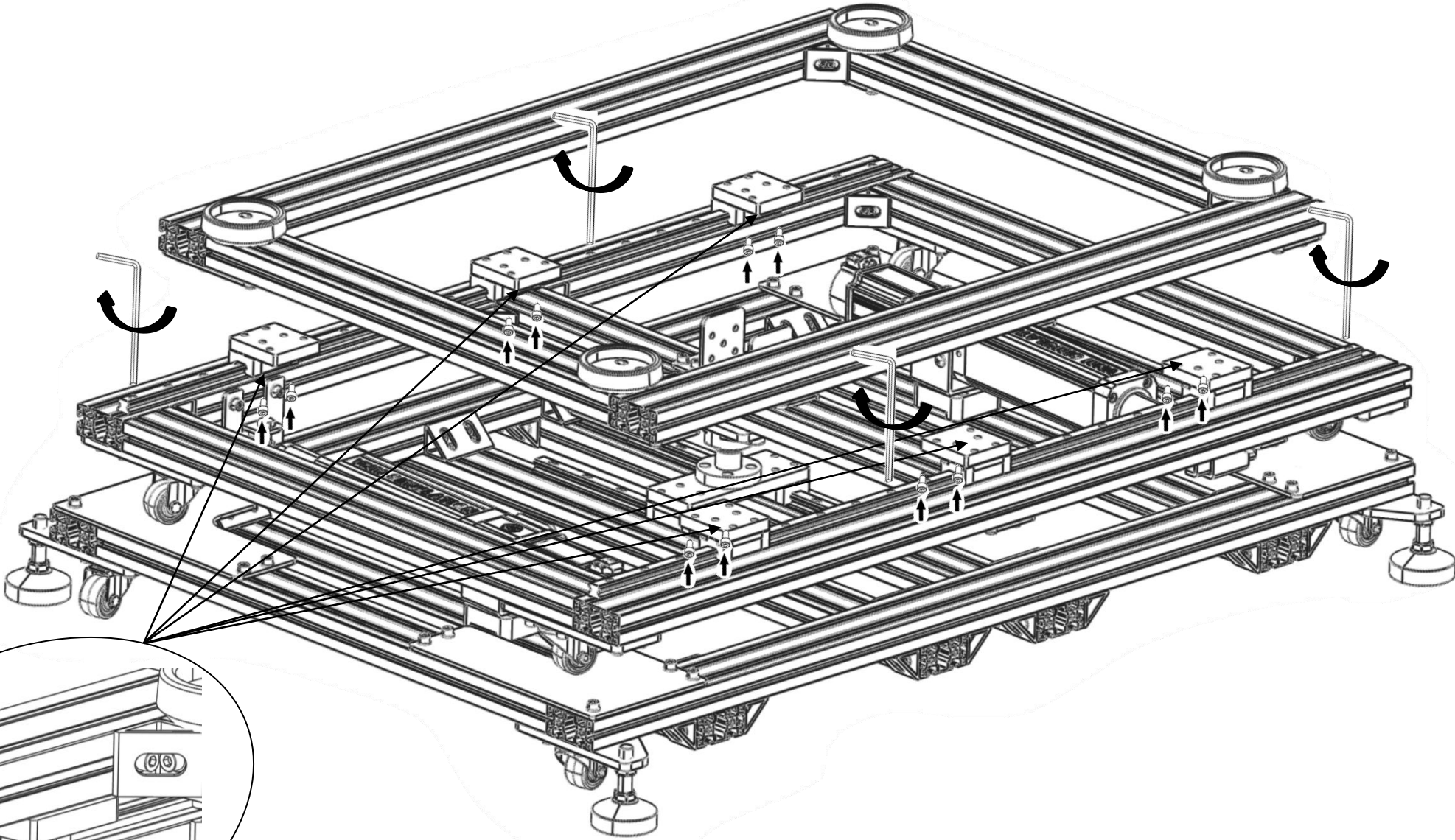
M8x16 x16	M8 Slider x16
	





M8 Slider
x12



M8x16 x12	Spring M8 x12
	



Ensure the linear rail and carriage **move smoothly**, then securely tighten all screws at this stage (M6x16 & M8x16).

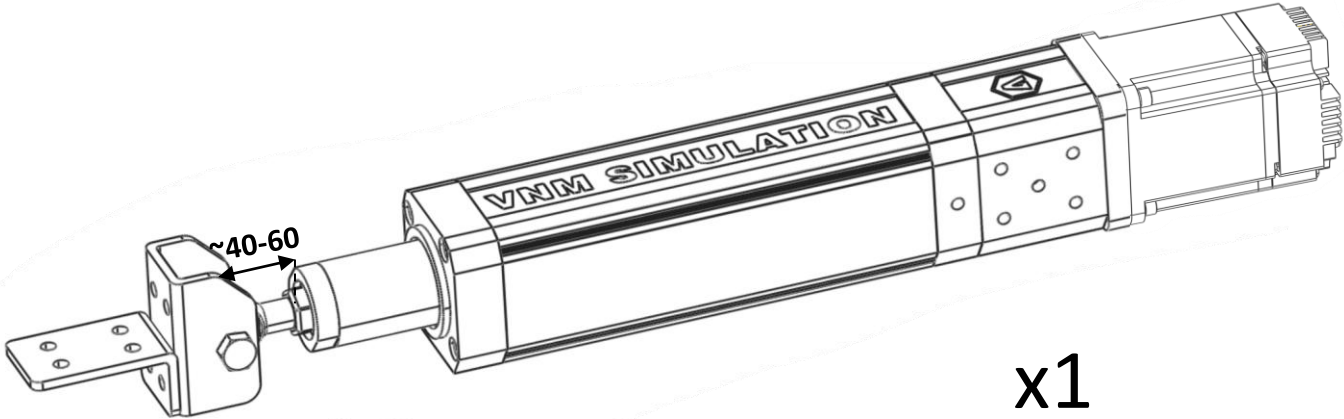
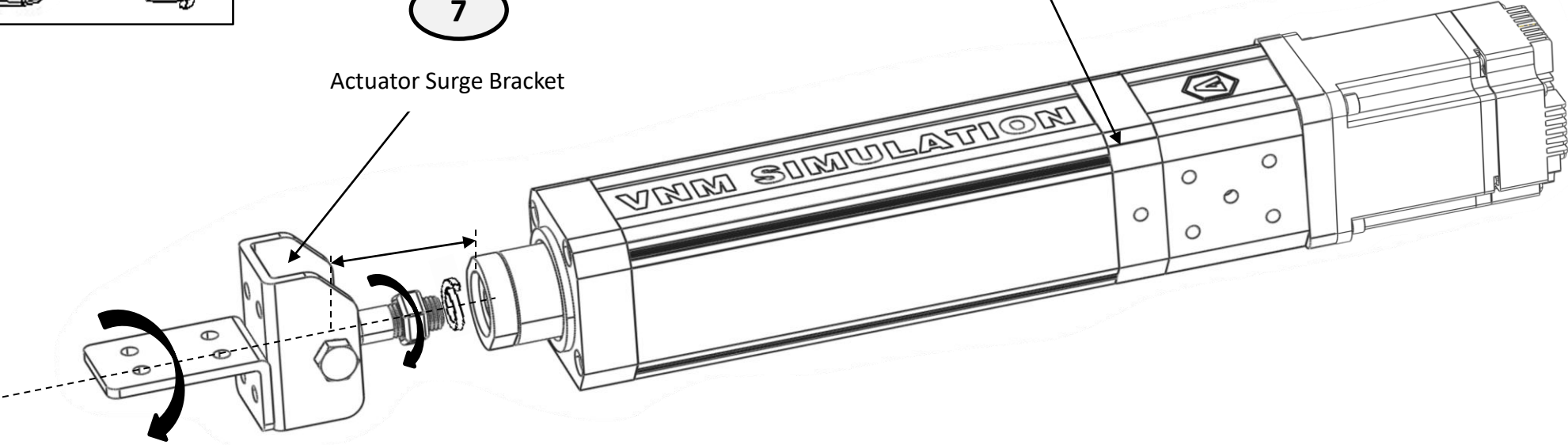
Nut M16 x1	Spring M16 x1
	

7





Actuator Surge Bracket

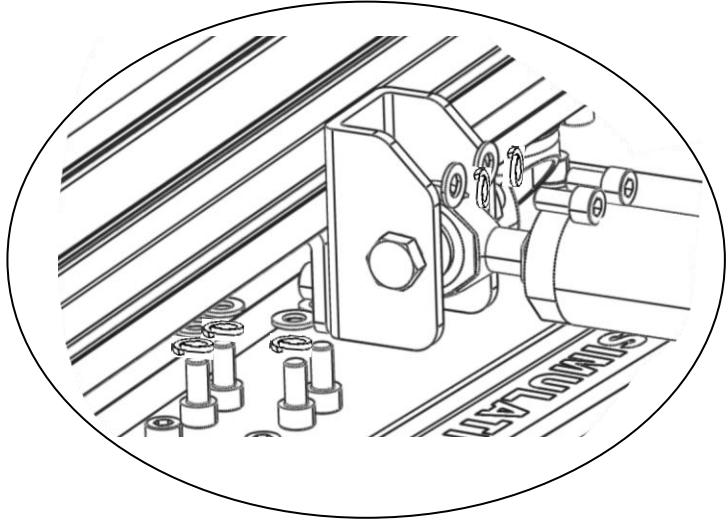
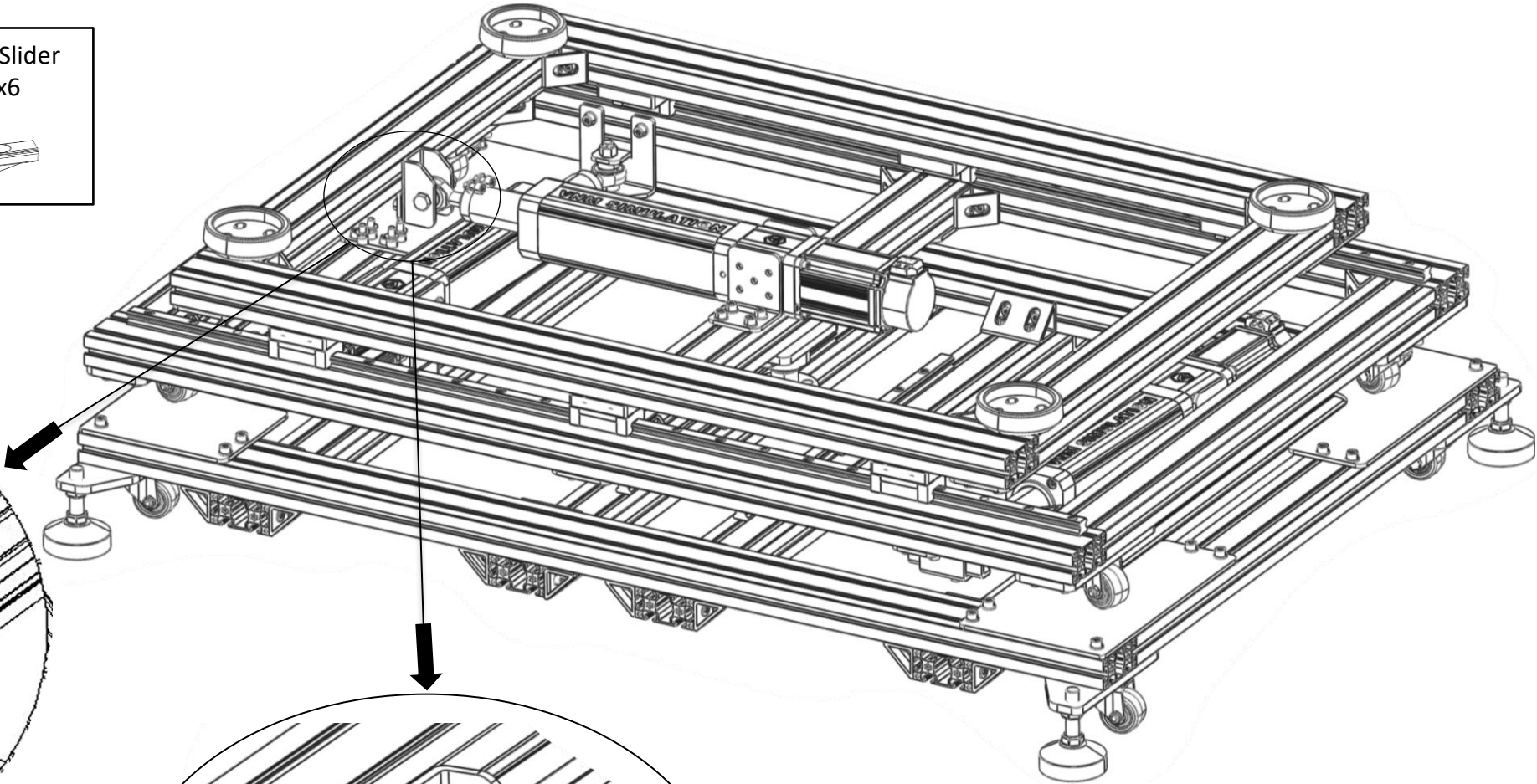
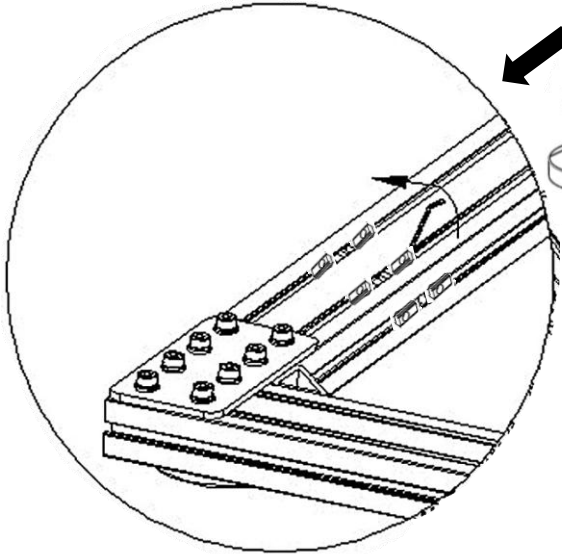
8

VNM Actuator 150mm



x1

M8x16 x6	Flat x6	Spring M8 x6	M8 Slider x6
			



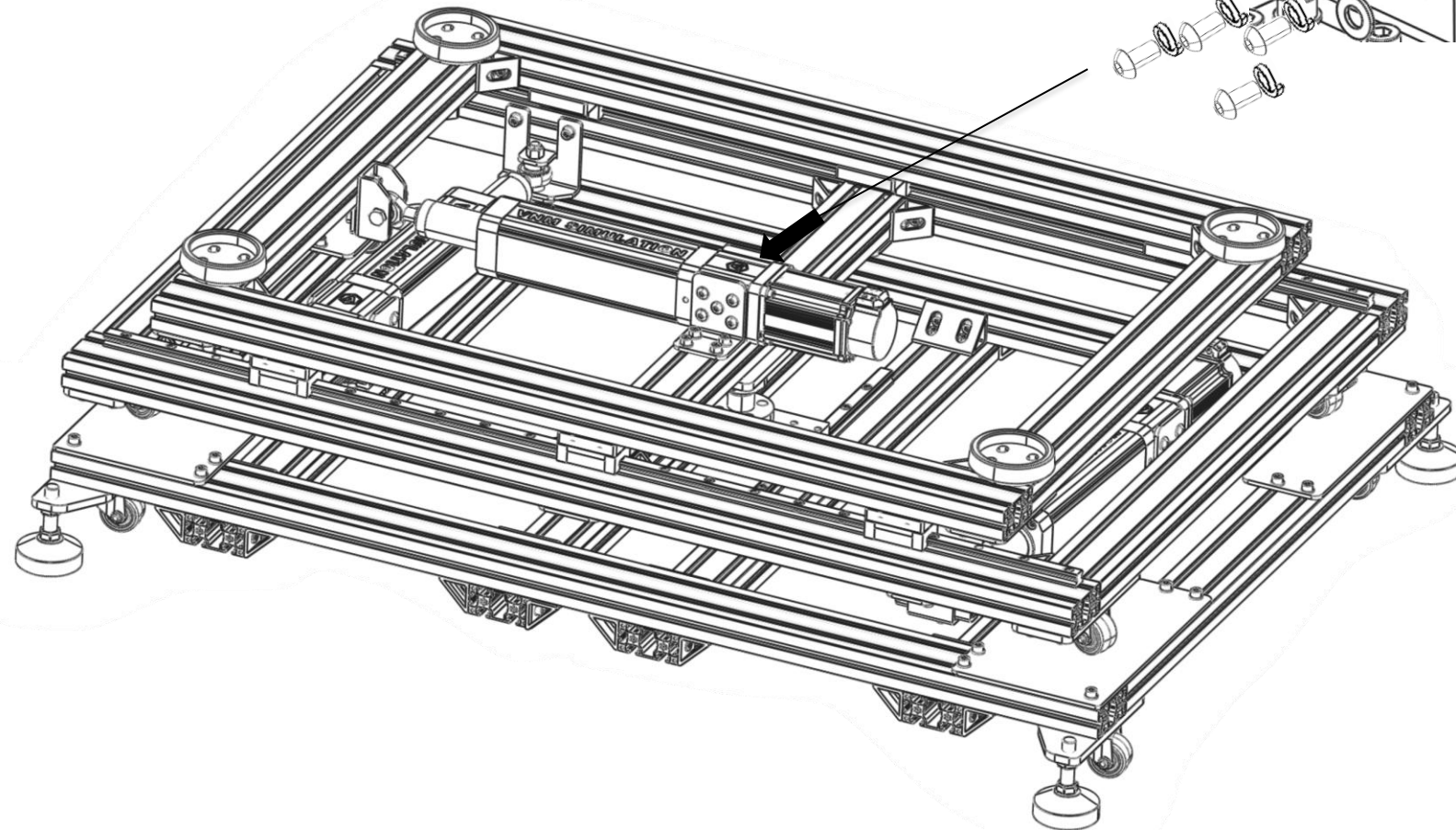
Spring M8
x10

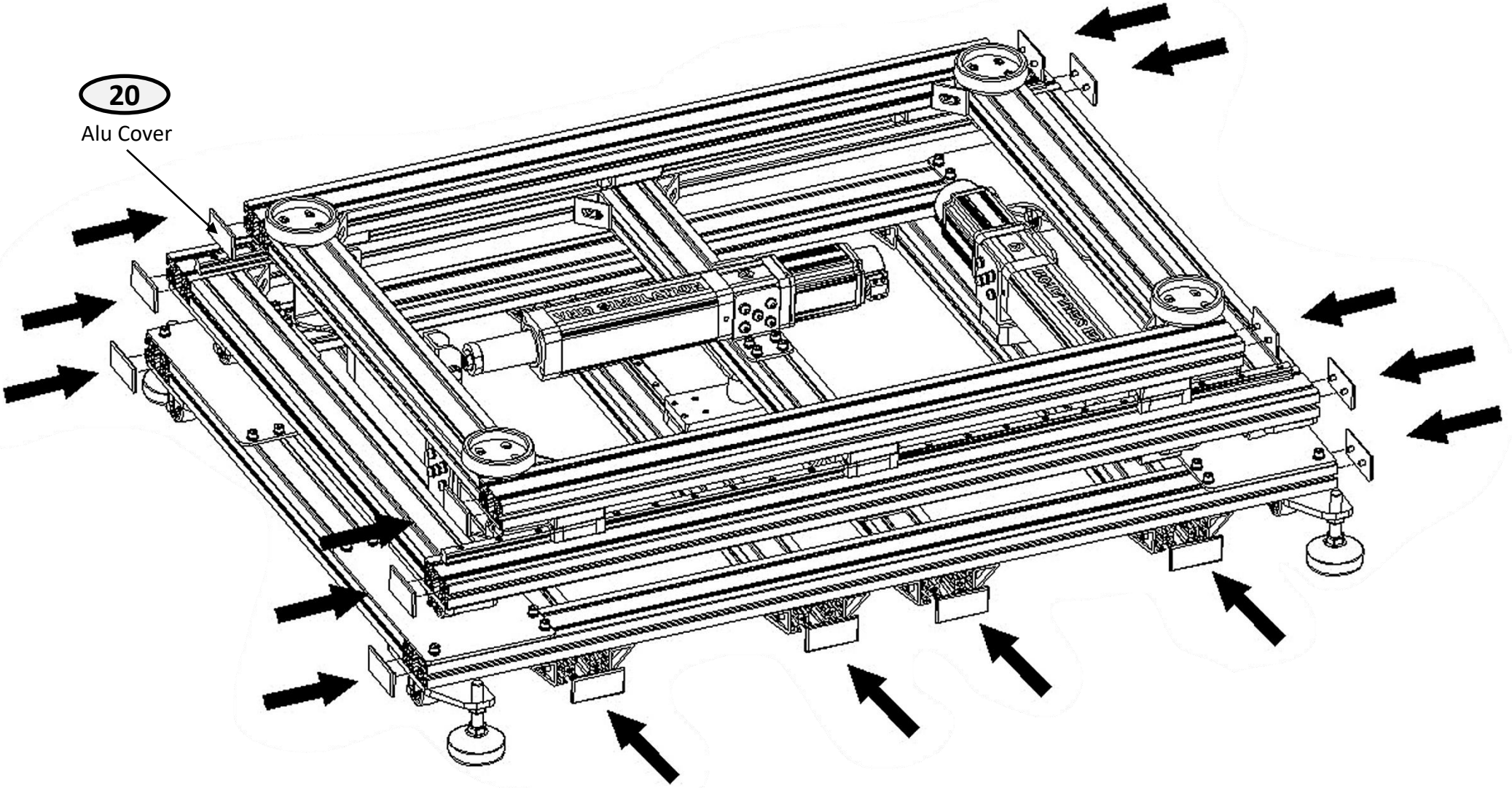


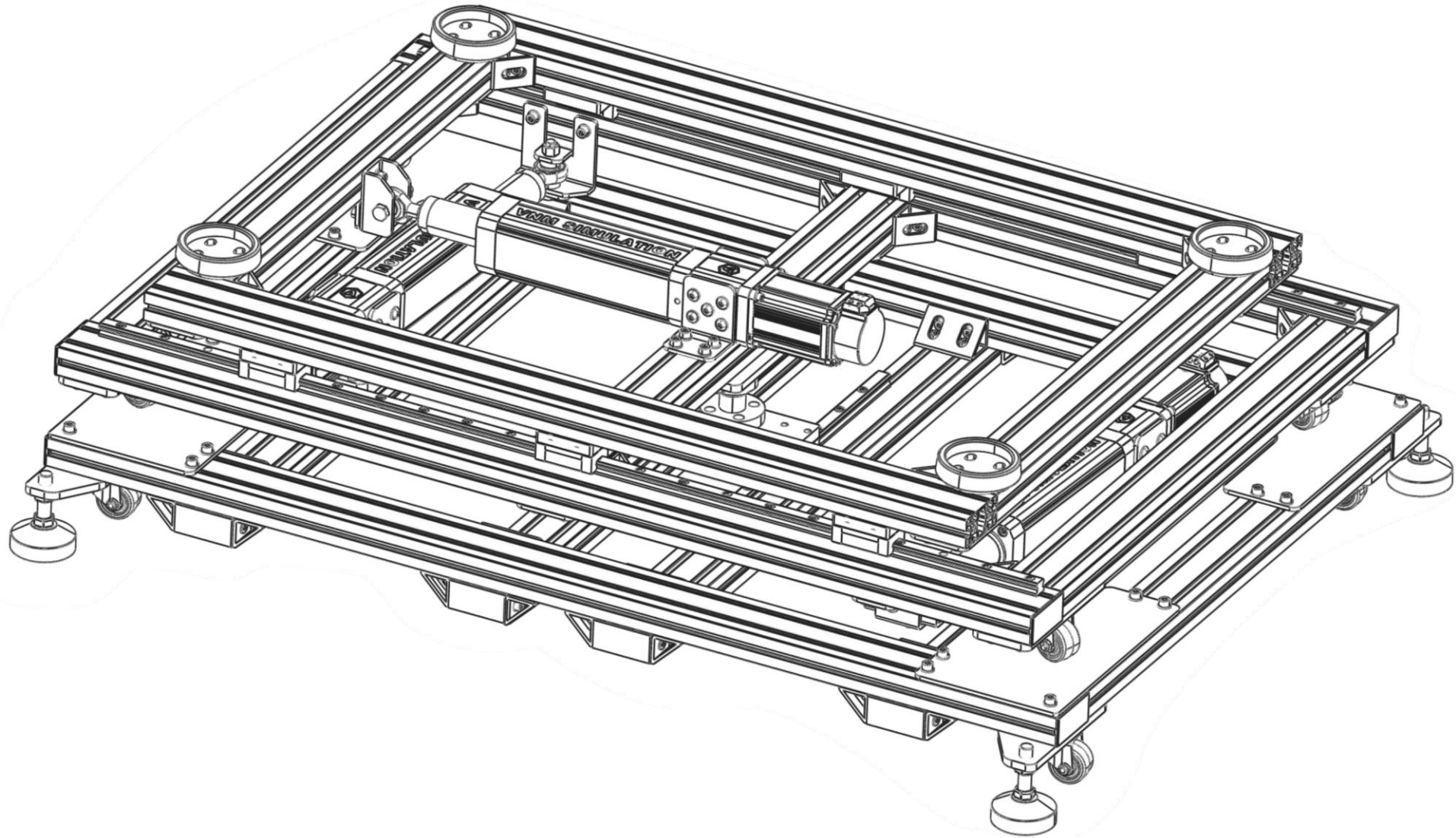
Mo M8x16
x10



Flat
x10







*“Congratulations on completing your rig assembly.
If you have any questions or encounter any problems, please contact us for support!”*