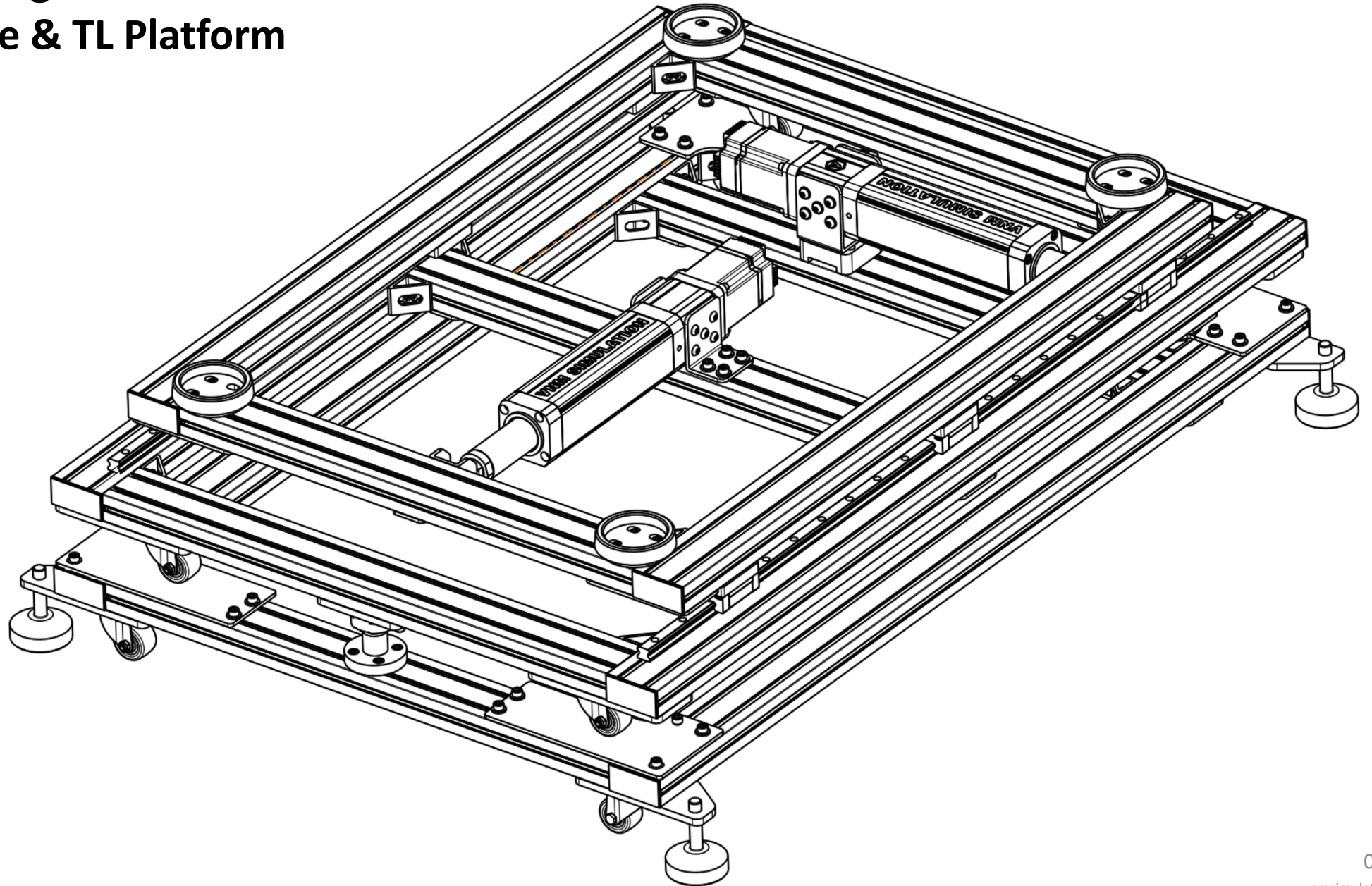
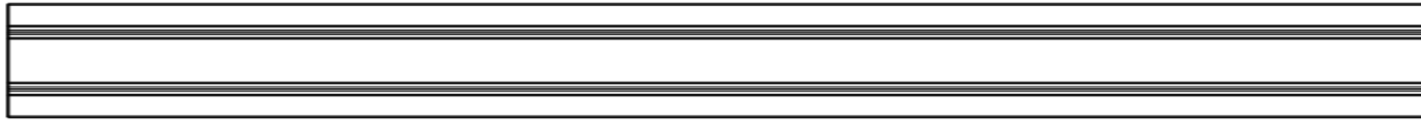




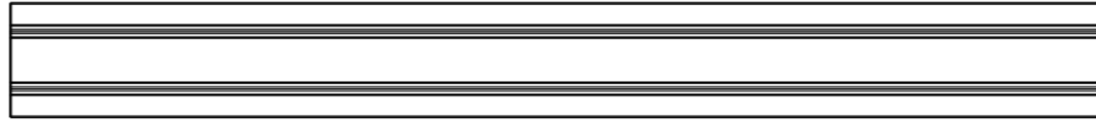
Installation guide VNM Surge & TL Platform



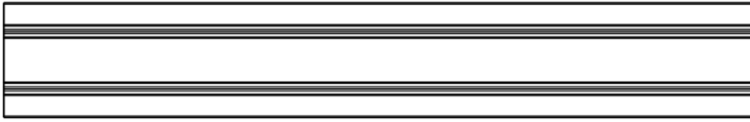
① 40x80x1400
x4



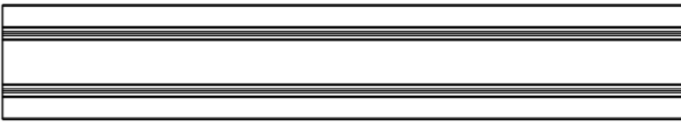
② 40x80x1140
x2



③ 40x80x800
x6

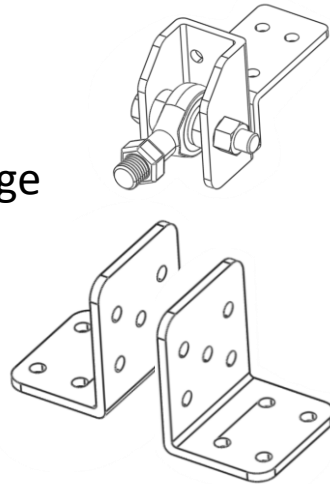


④ 40x80x720
x2



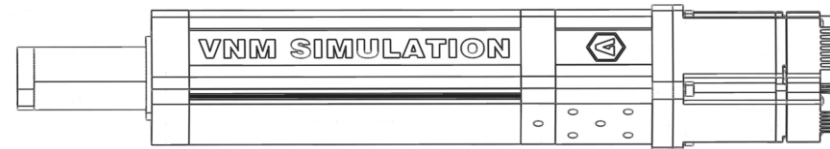
⑤

Actuator Surge
Bracket
x1



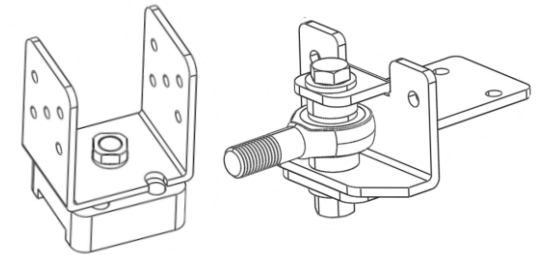
⑥

VNM Actuator 150mm
x2



⑦

Actuator
Tractionless Bracket
x1



8

Linear Guide Rail Assembly

1300mm

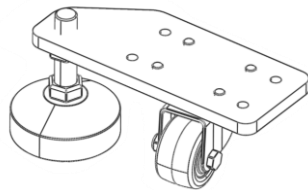
x2



9

Foot Motion

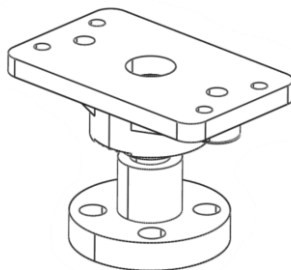
x4



10

Spindle & UCFL204

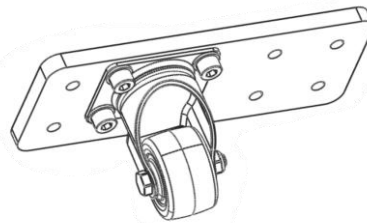
x1



11

Low Gravity

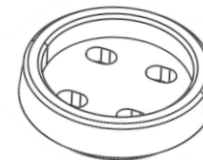
x4



12

D100 Cup

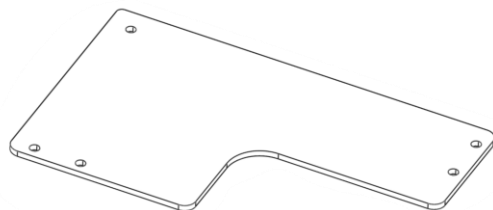
x4



13

Wheel Support Bracket

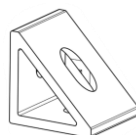
x4



14

4040 Conner Alu

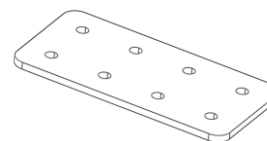
x20



15

Connector Plate I

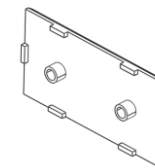
x8

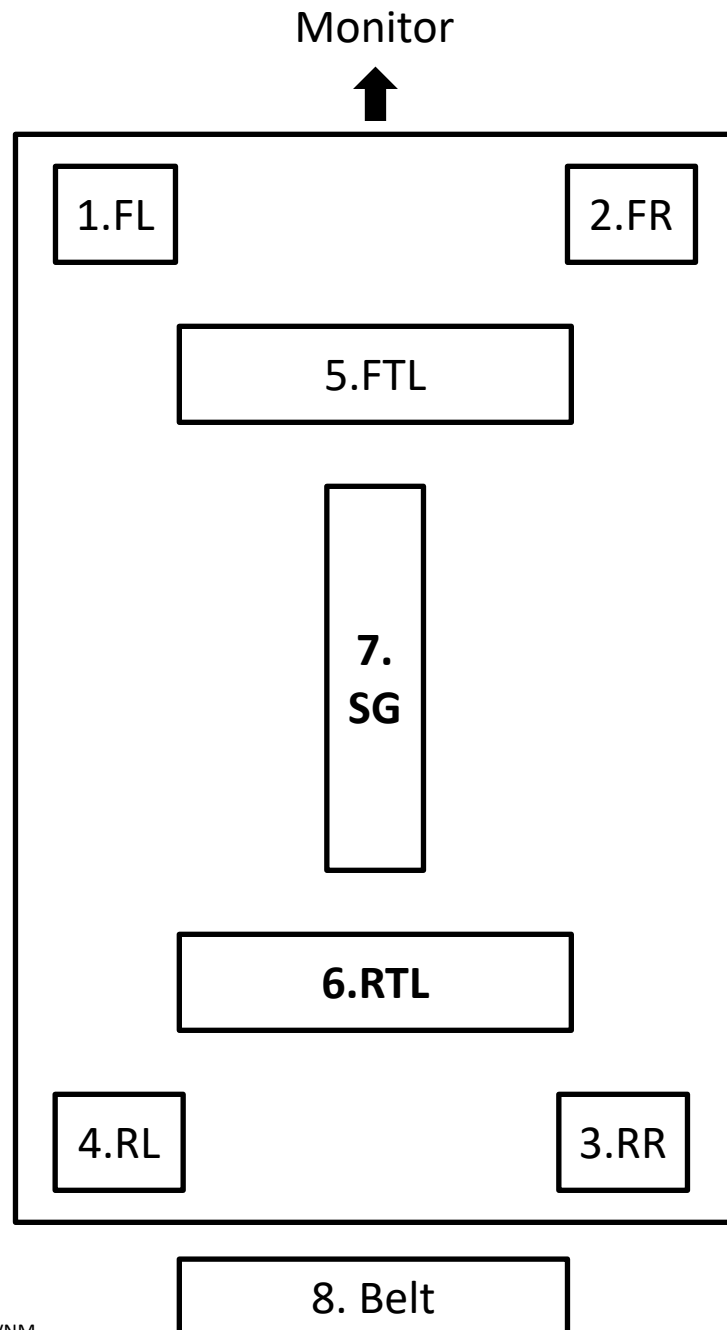


16

Alu Cover

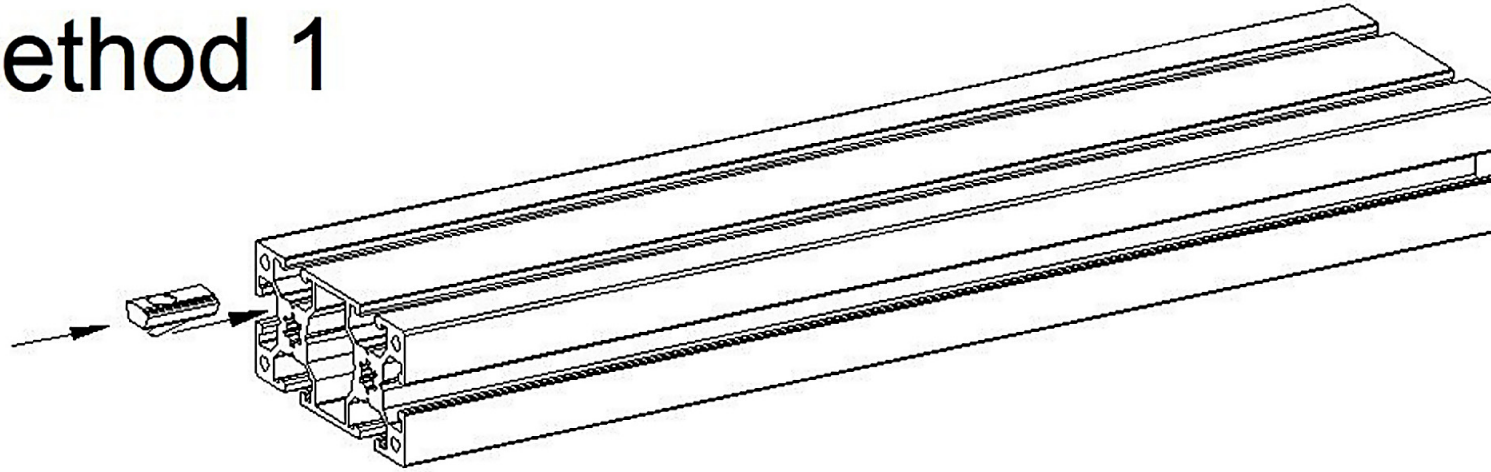
x12



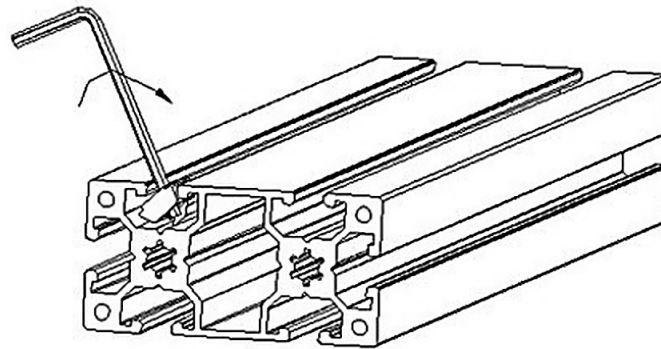


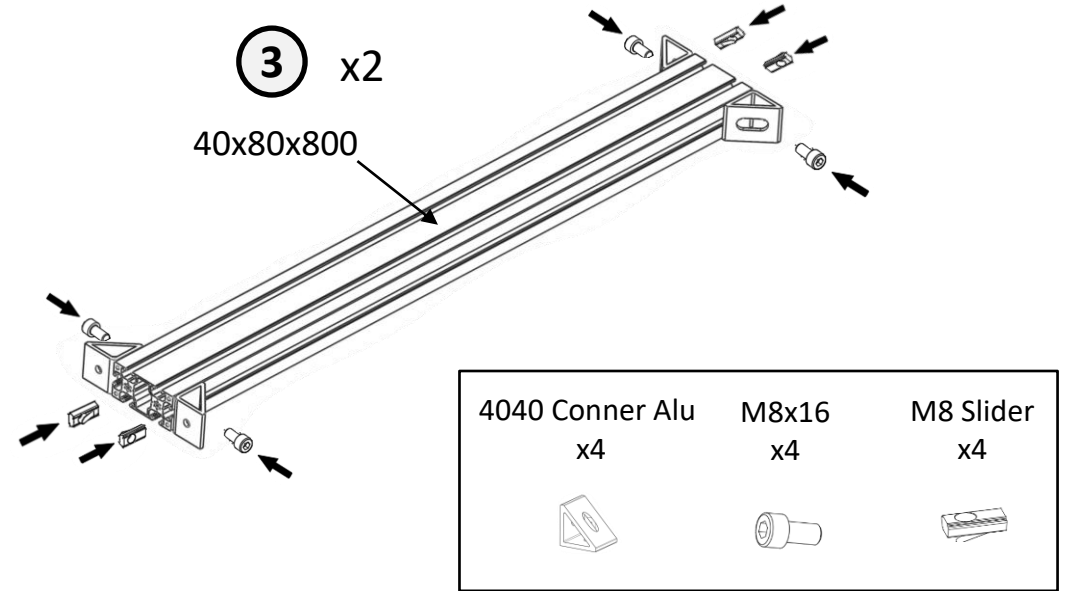
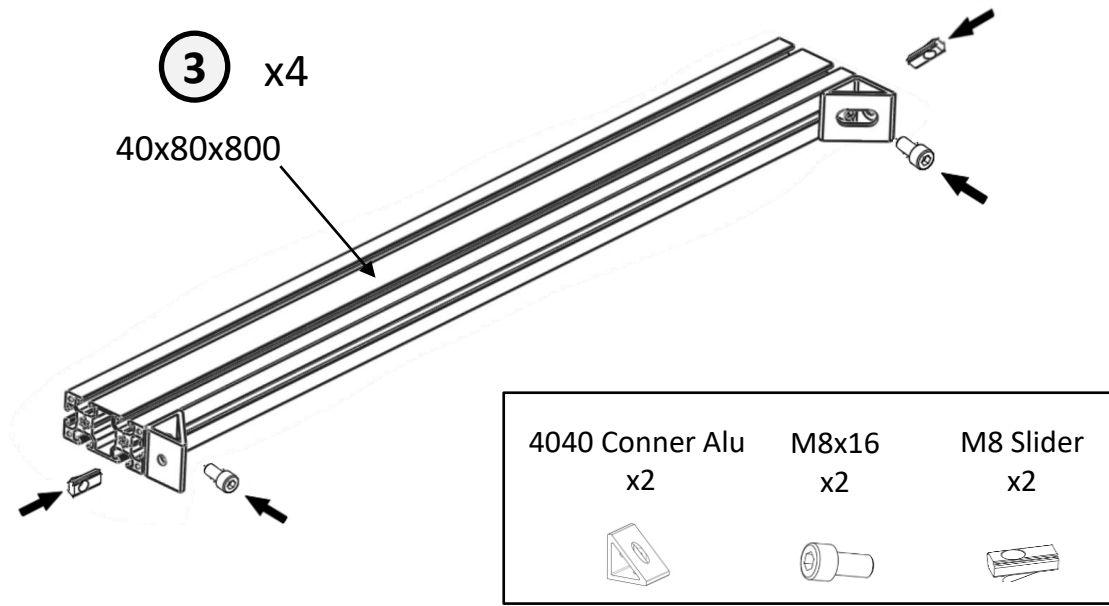
Disclaimer : Before installing or configuring the motion system on your rig, ensure that the surrounding area is completely clear. This helps prevent collisions if the rig moves unexpectedly. Keep the motion rig away from nearby objects such as computer monitors, TVs, mobile phones, etc.

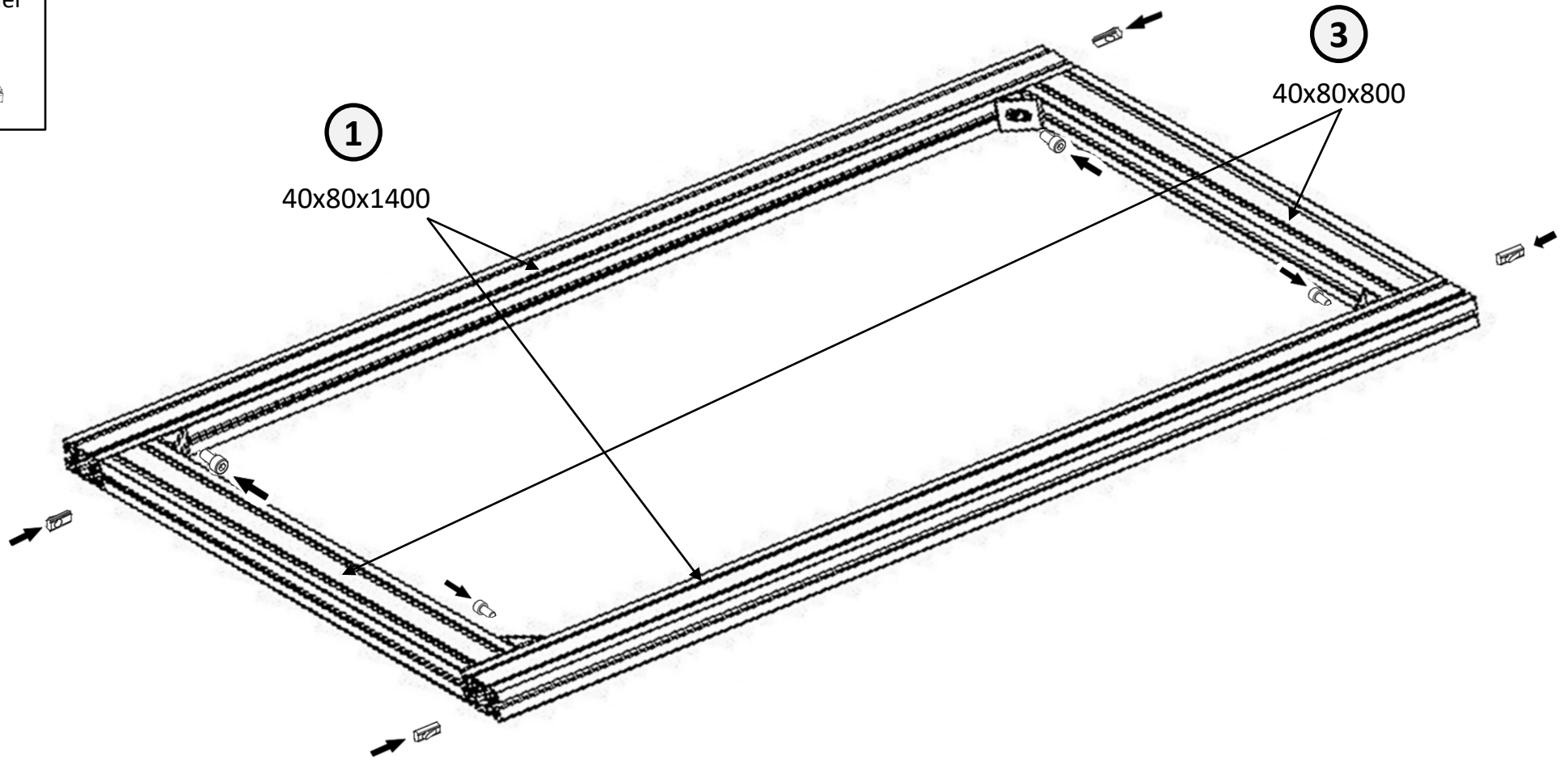
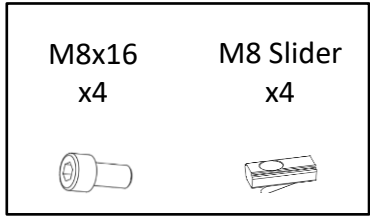
Method 1





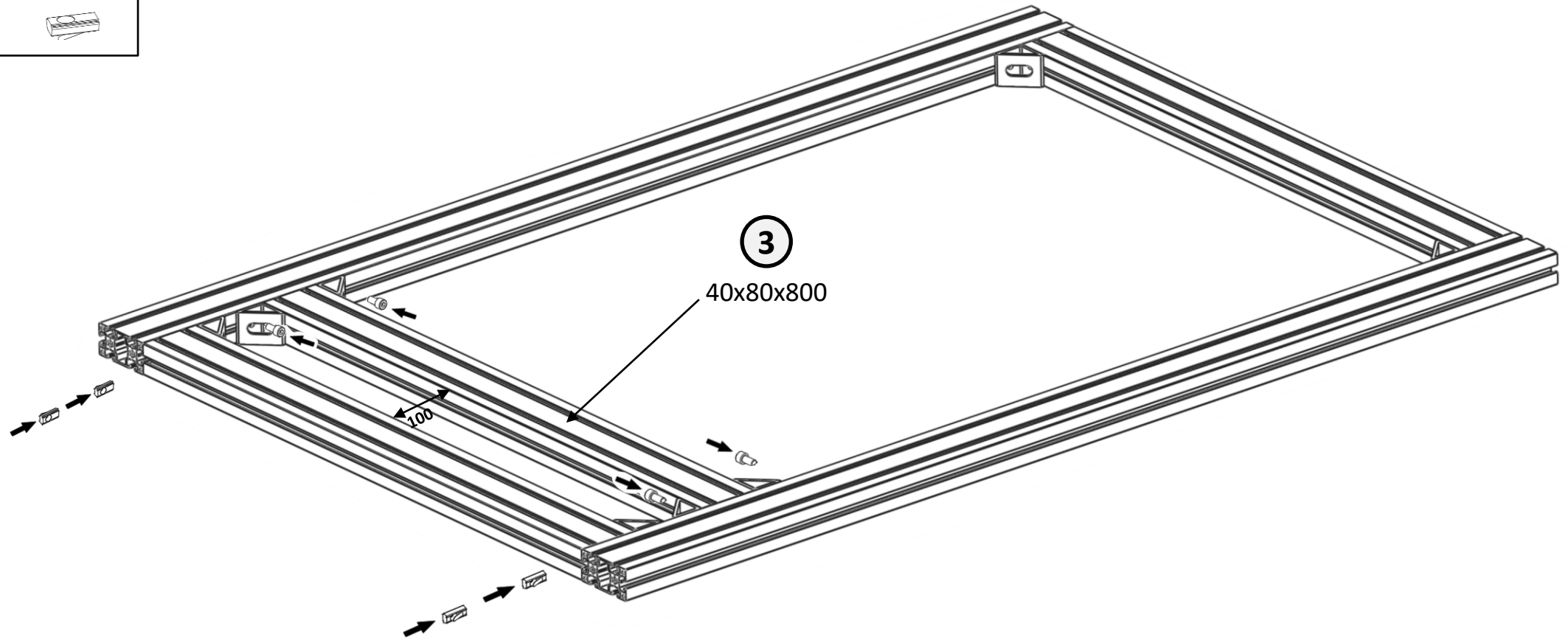
Method 2

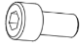





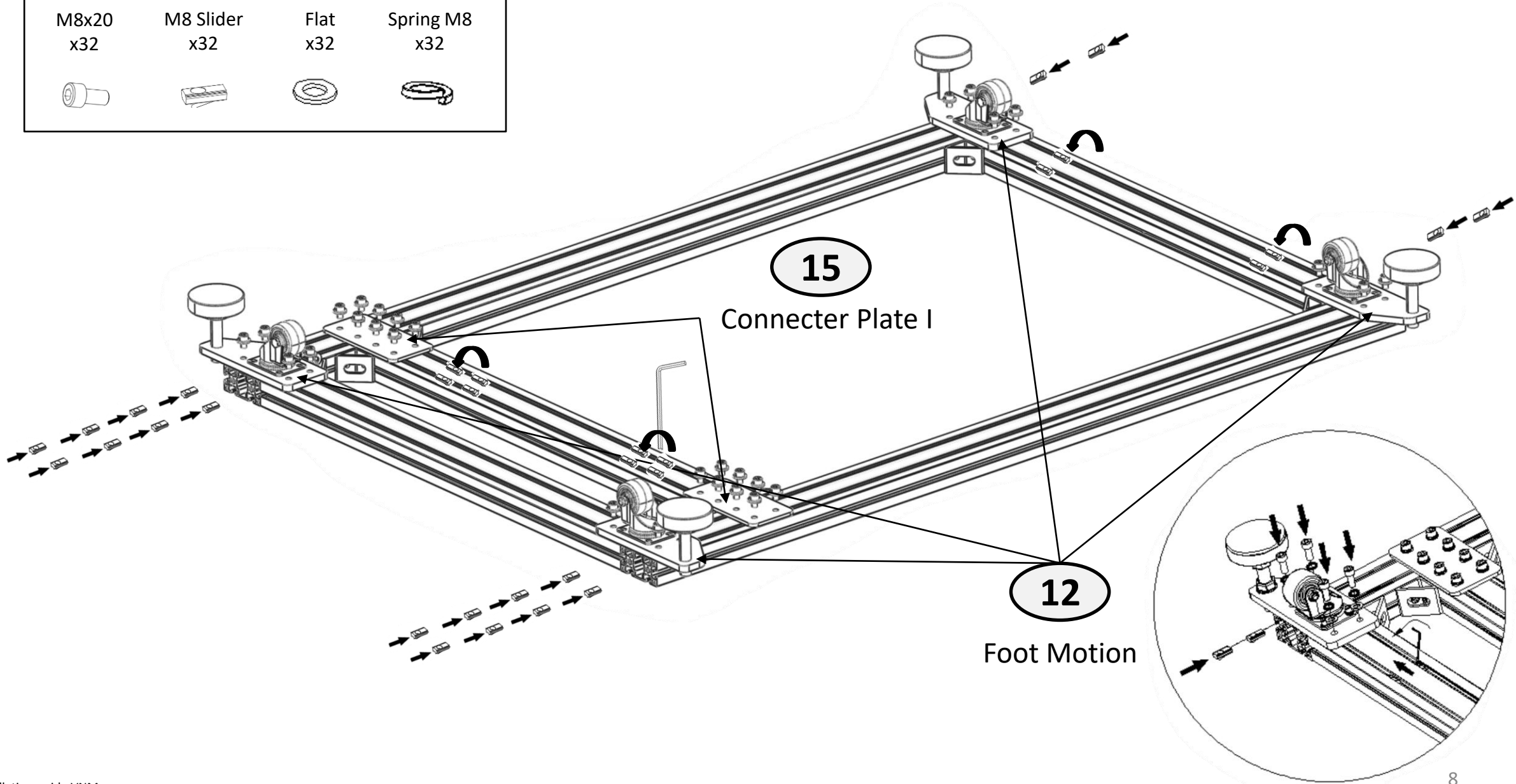


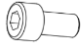





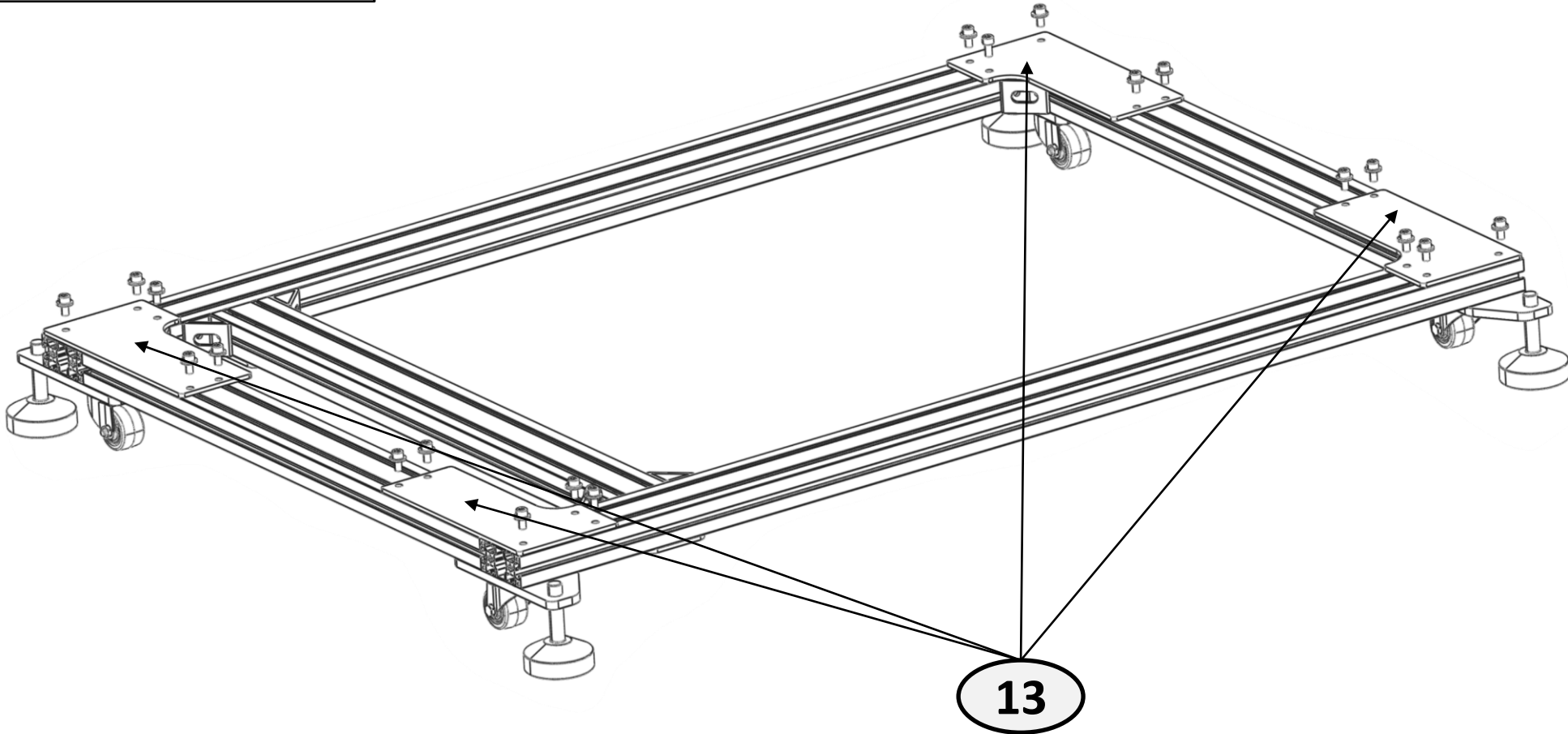
M8x16 x4	M8 Slider x4
	



M8x20 x32	M8 Slider x32	Flat x32	Spring M8 x32
			



M8x16 x20	M8 Slider x20	Flat x20	Spring M8 x20
			

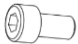




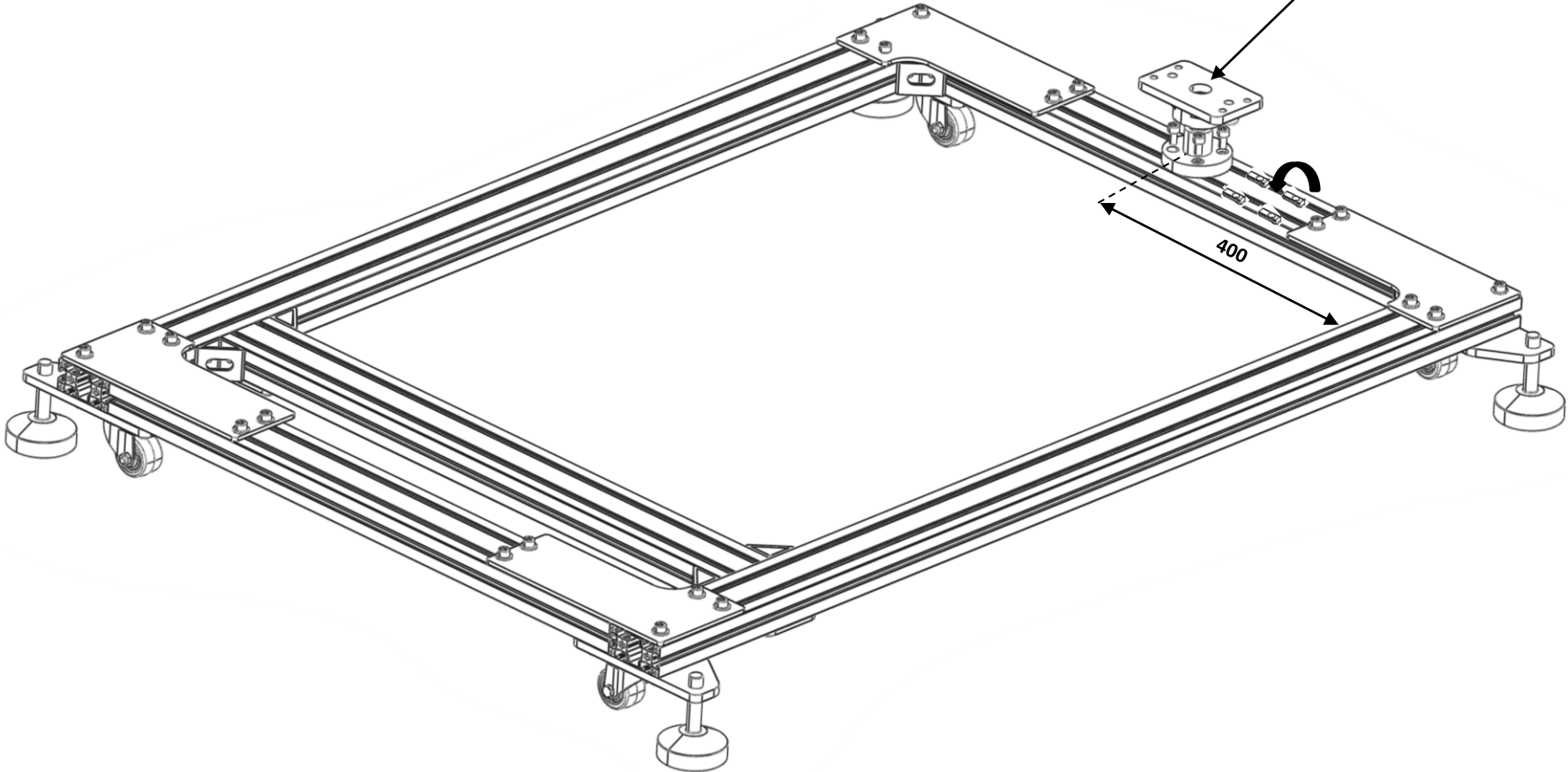
13

Wheel Support Bracket

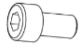

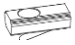
10

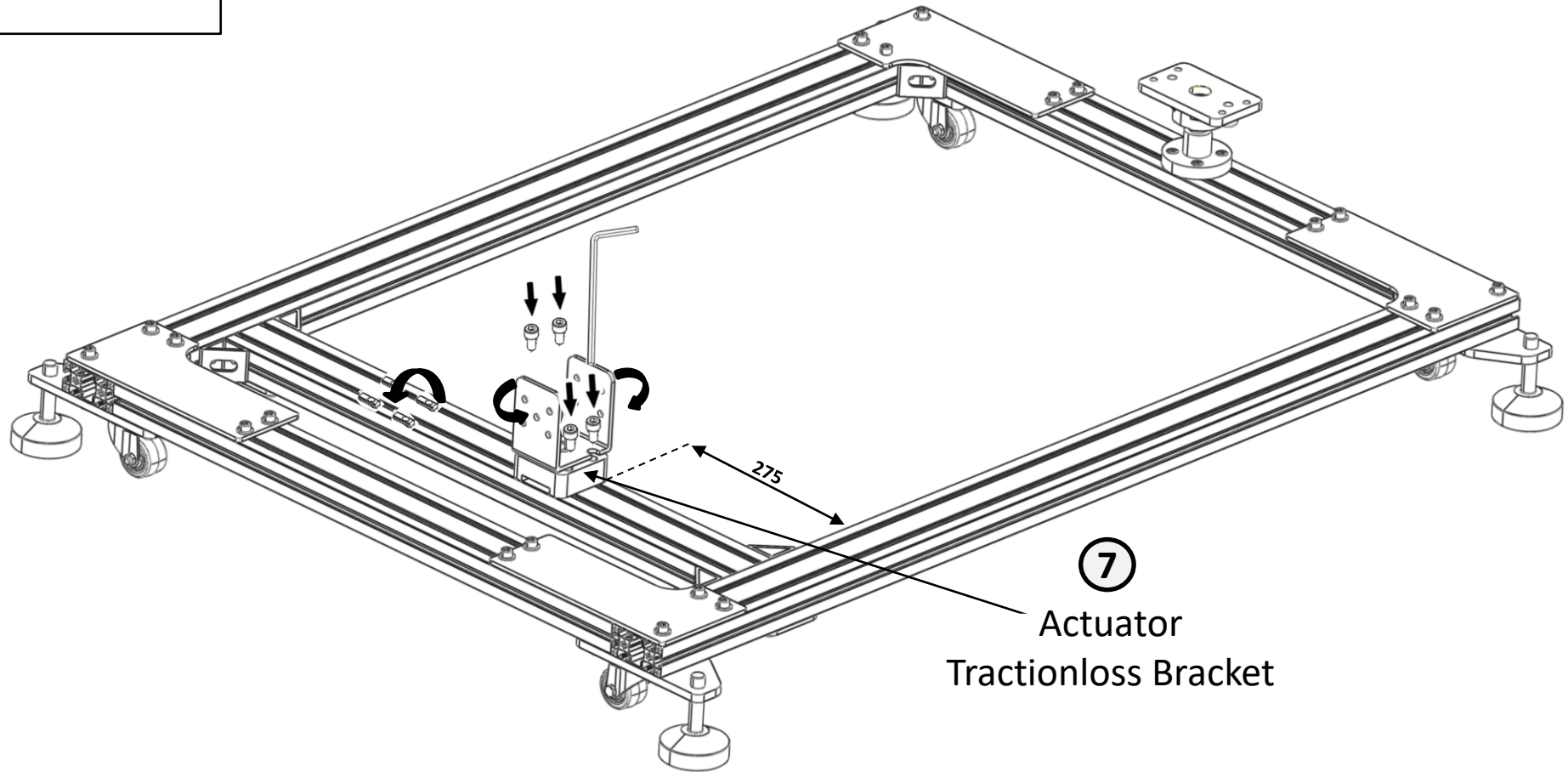
Spindle & UCFL204

M8x16 x4	Spring M8 x4	M8 Slider x4
		



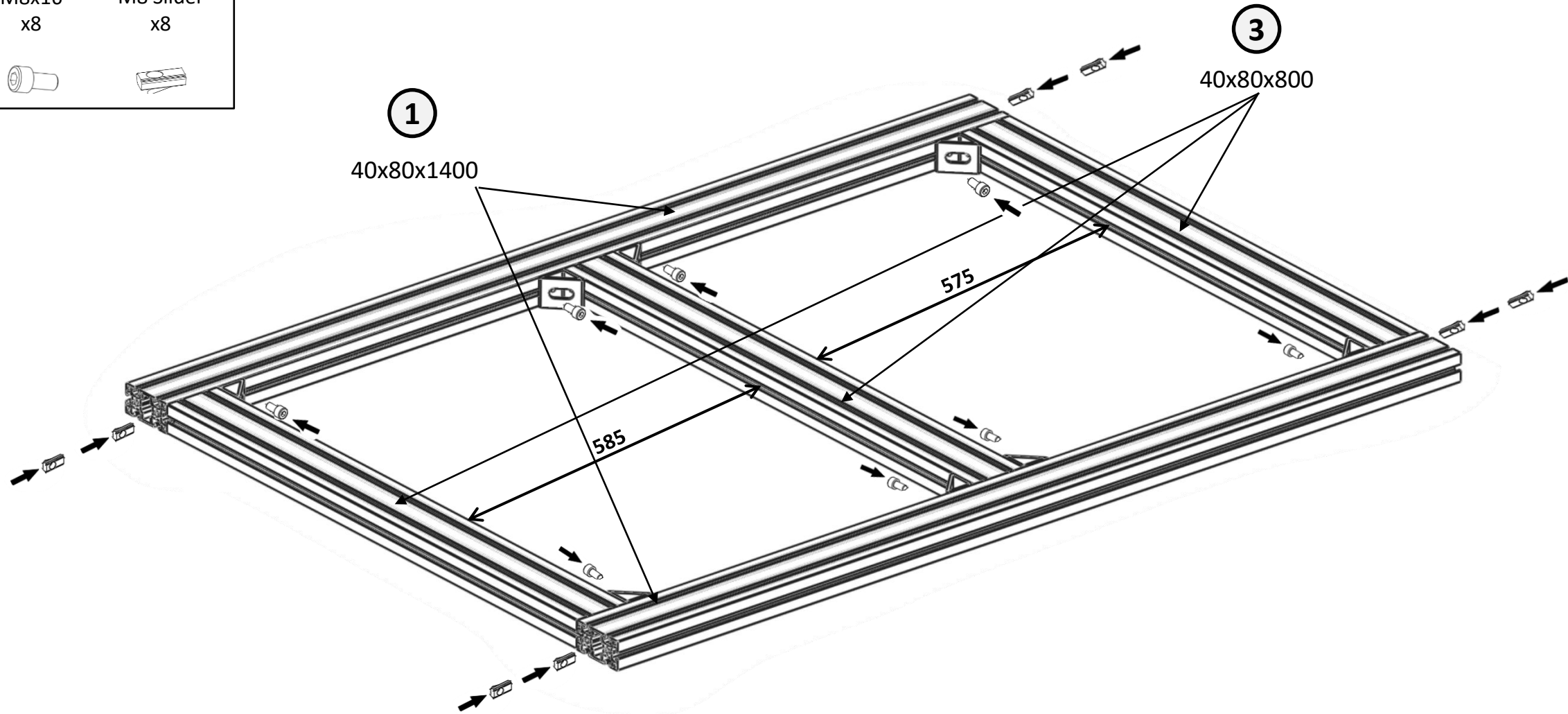
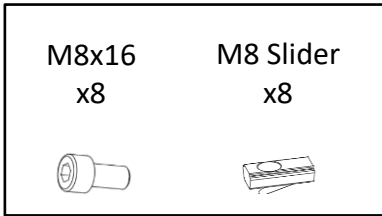
Fully tighten the screws at this step.

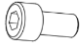



M8x20 x4	Spring M8 x4	M8 Slider x4
		

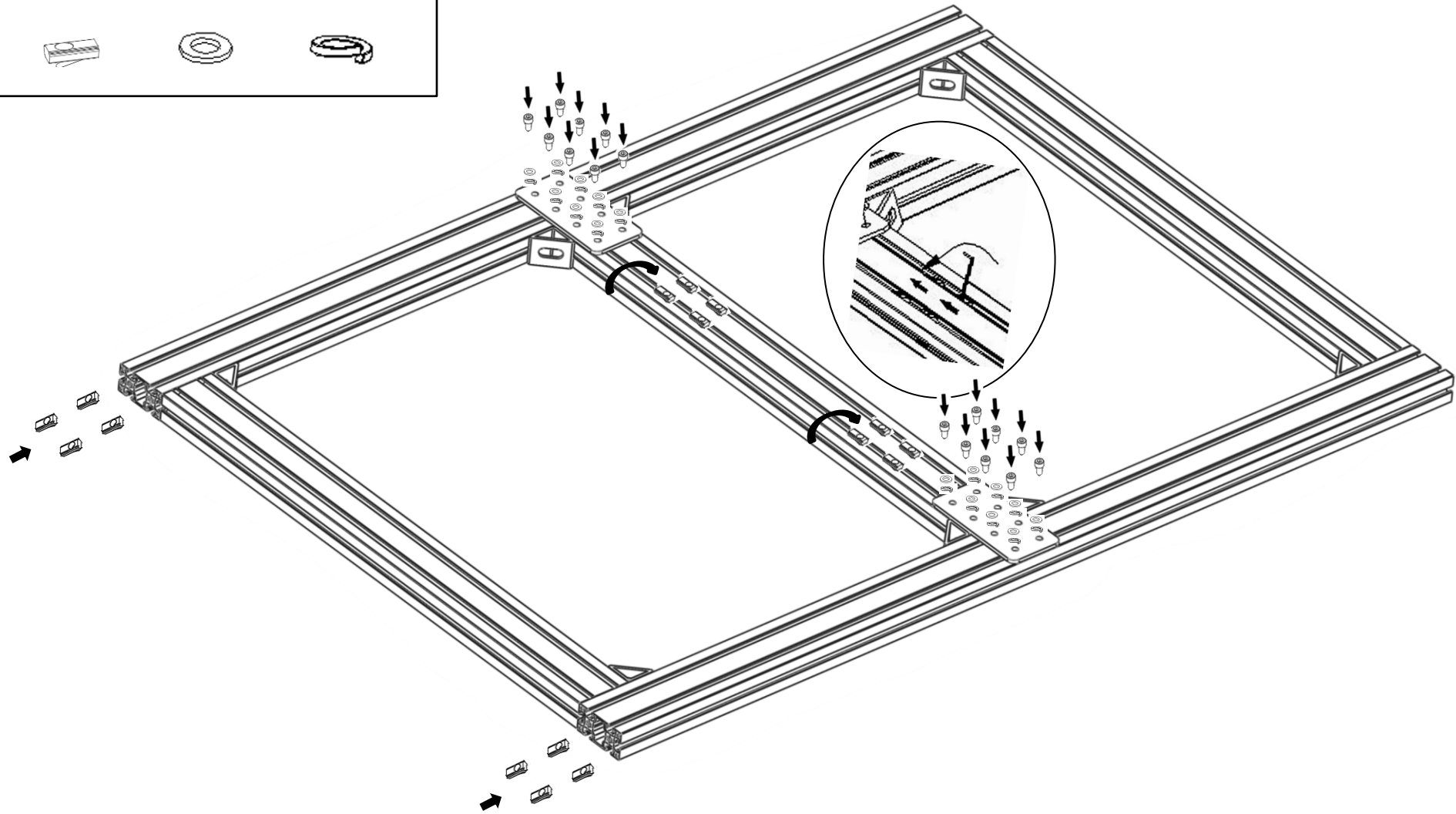


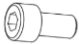



⑦
Actuator
Tractionloss Bracket

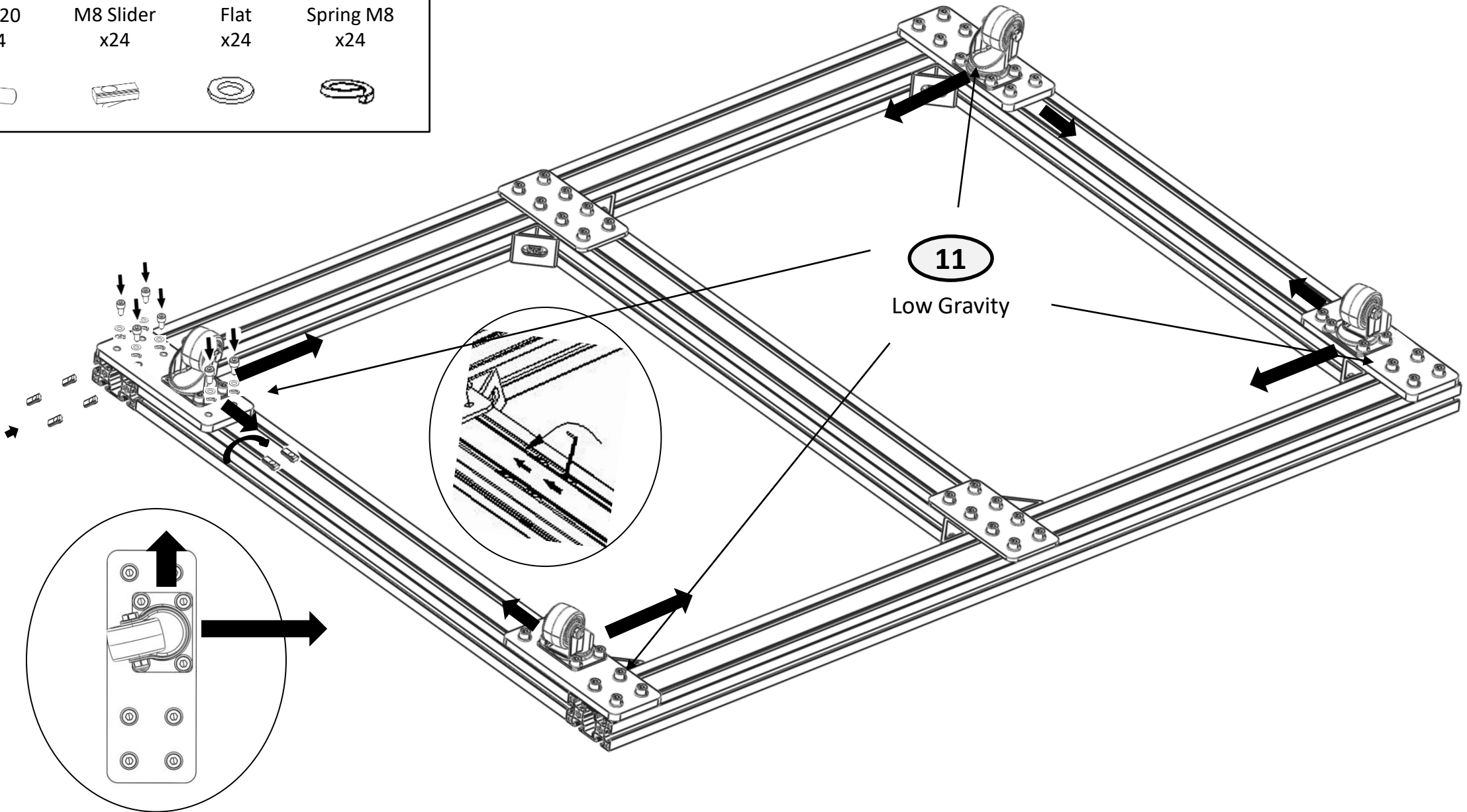
Fully tighten the screws at this step

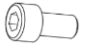



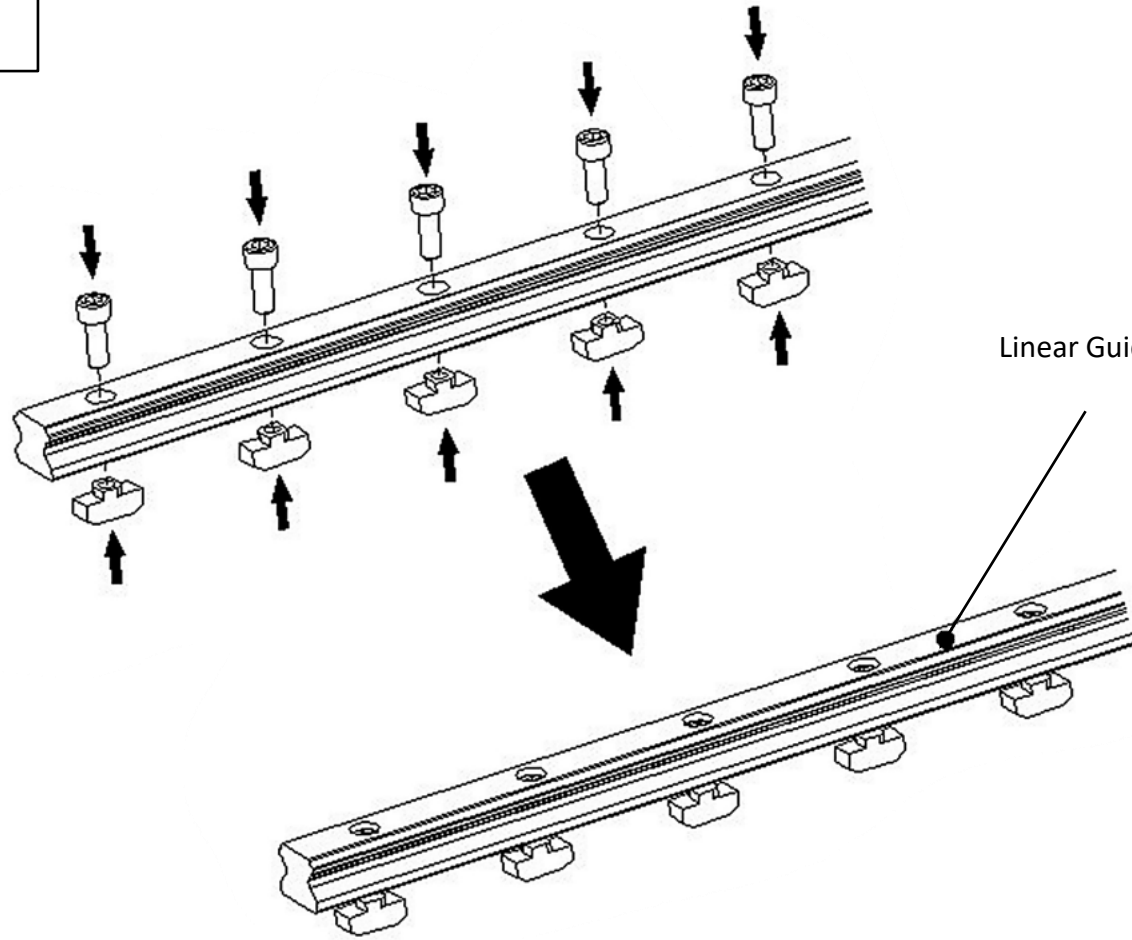
M8x16 x16	M8 Slider x16	Flat x16	Spring M8 x16
			



M8x20 x24	M8 Slider x24	Flat x24	Spring M8 x24
			





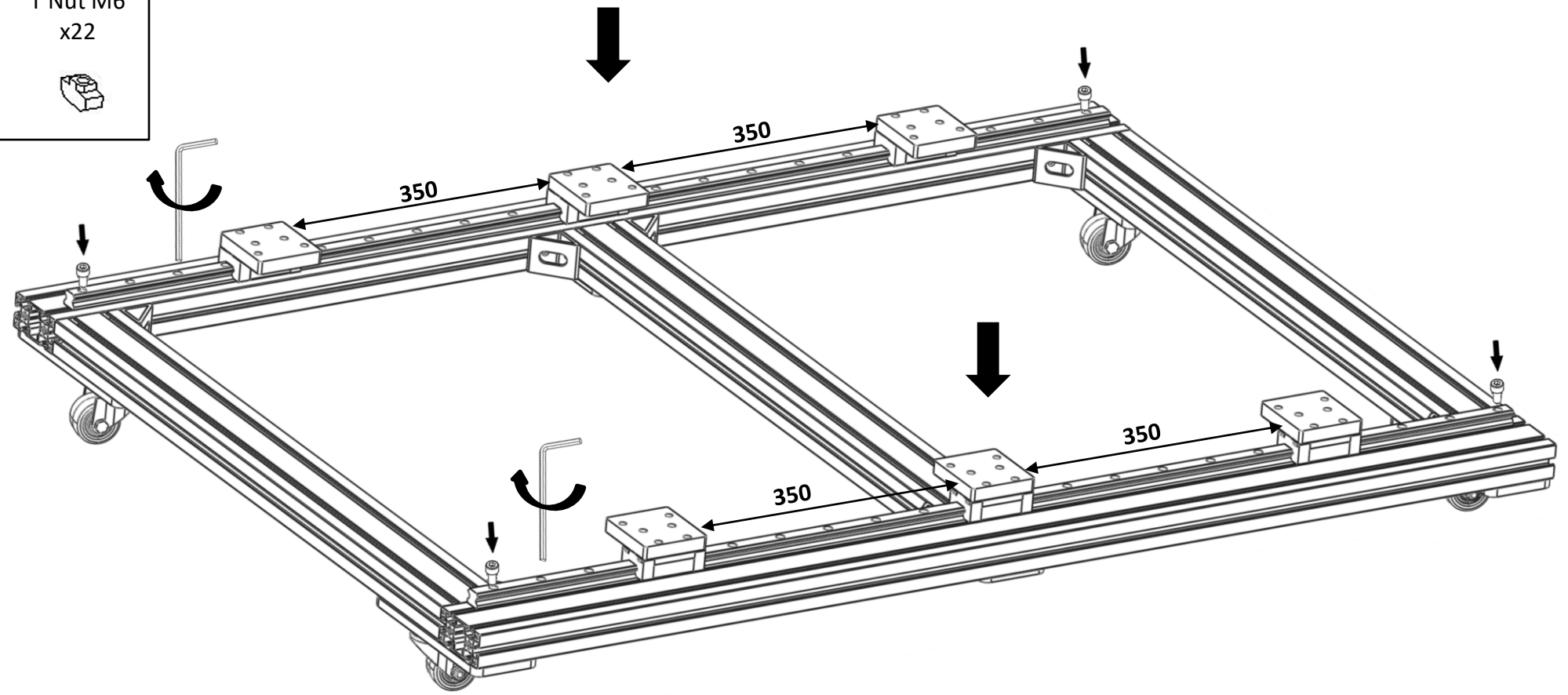
M6x16 x22	T Nut M6 x22
	



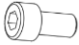



8

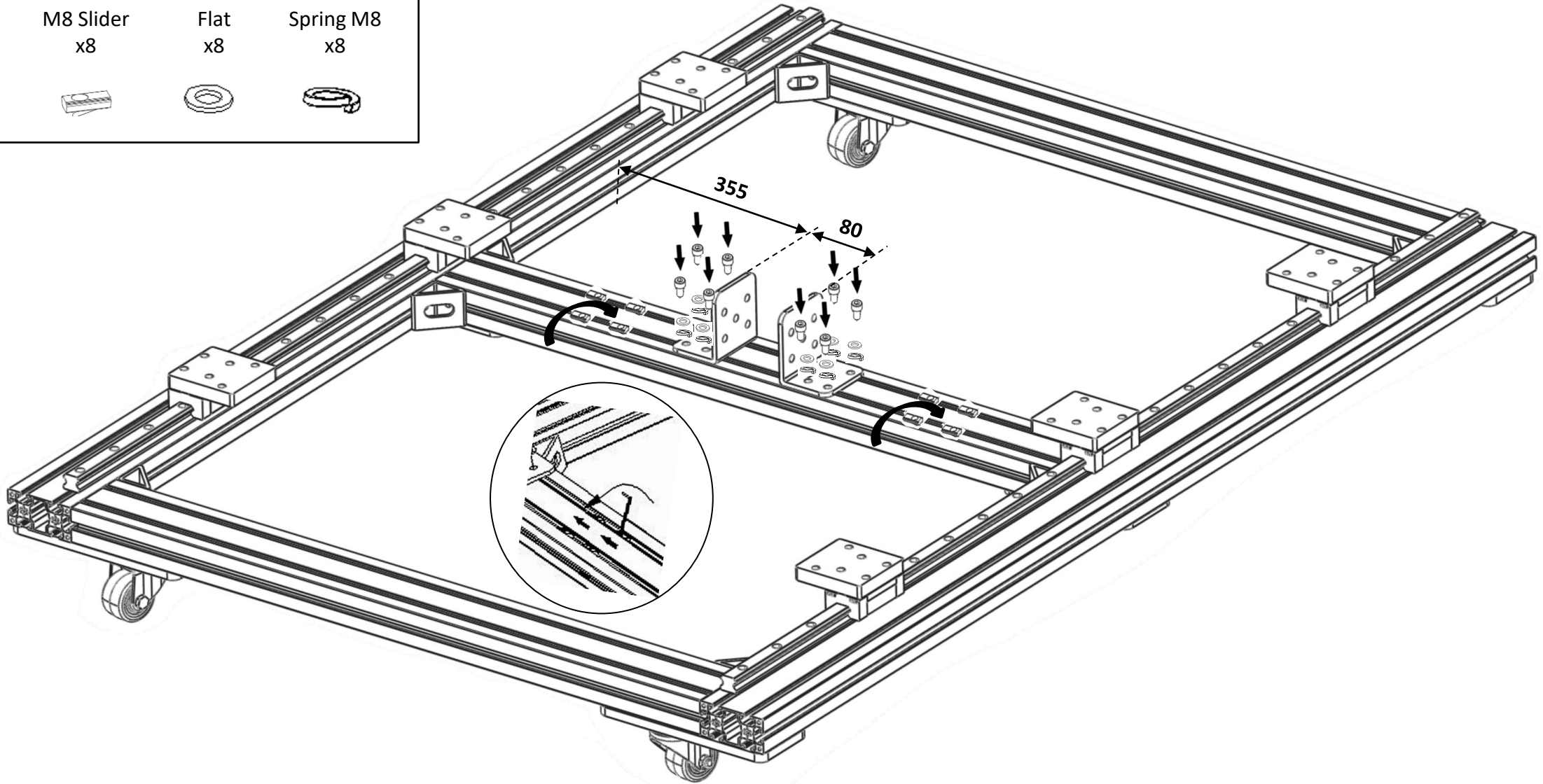
Linear Guide Rail Assembly 1300mm

M6x16 x22	T Nut M6 x22
	

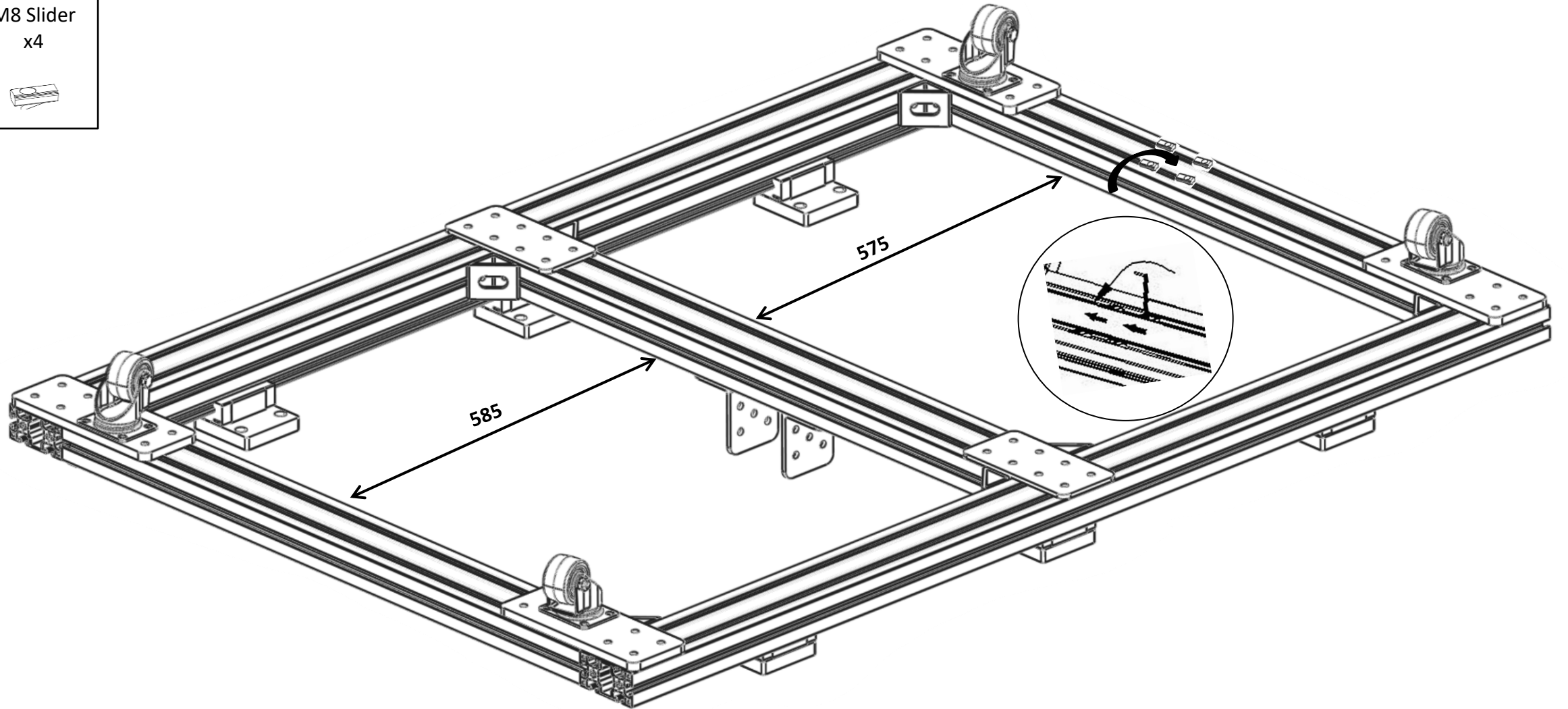



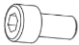


Install M8 screws at both ends of the rail **to prevent** the carriage from **sliding off**.

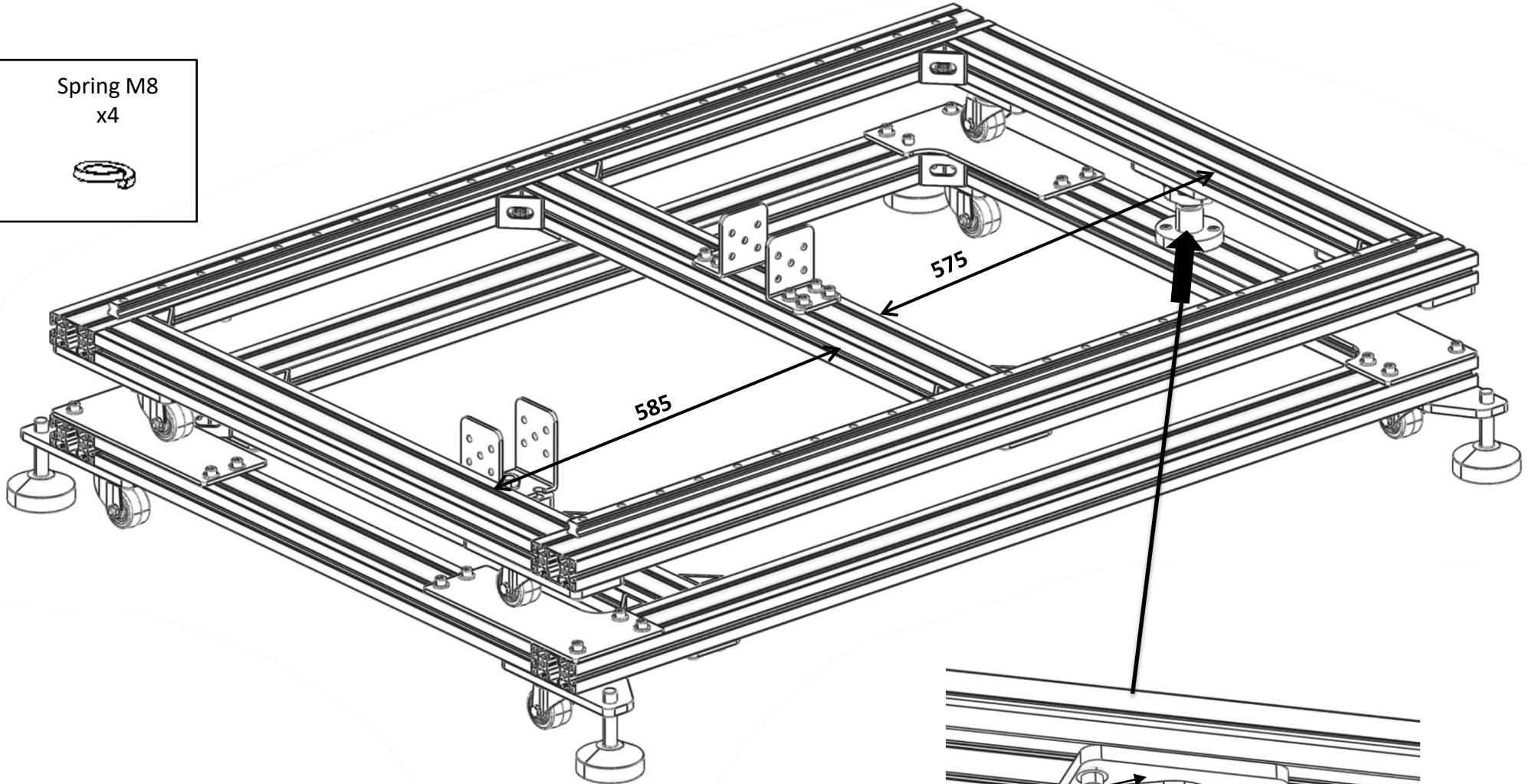
M8x16 x8	M8 Slider x8	Flat x8	Spring M8 x8
			



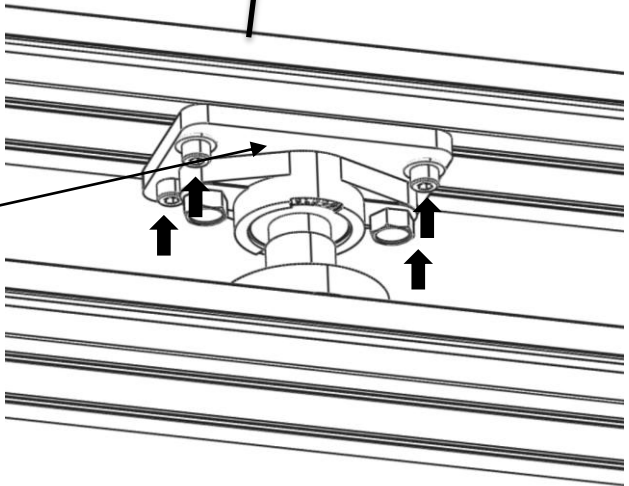
M8 Slider
x4





M8x20 x4	Flat x4	Spring M8 x4
		



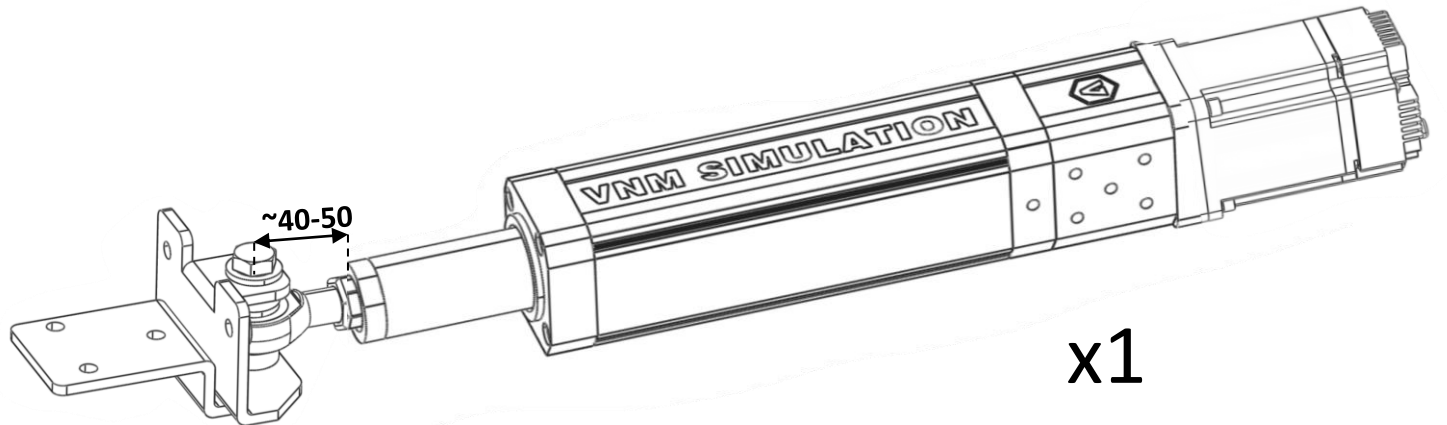
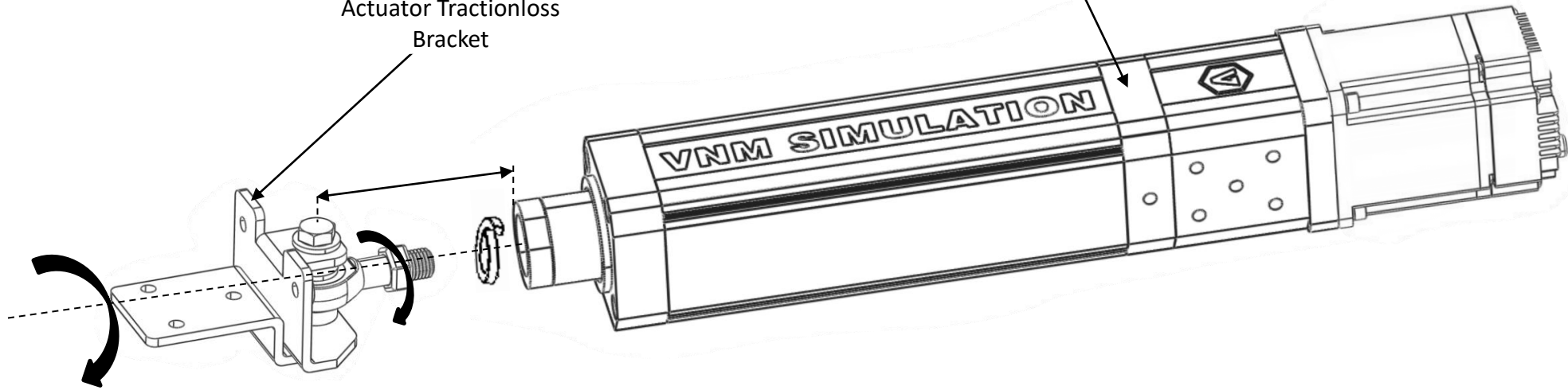
10



Nut M16 x1	Spring M16 x1
	

6
VNM Actuator 150mm

7
Actuator Tractionloss
Bracket



M8x16
x5

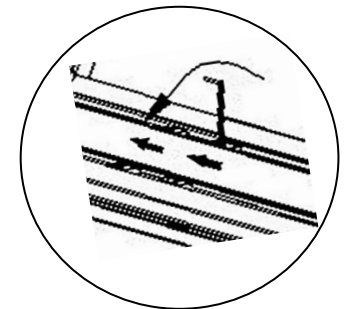
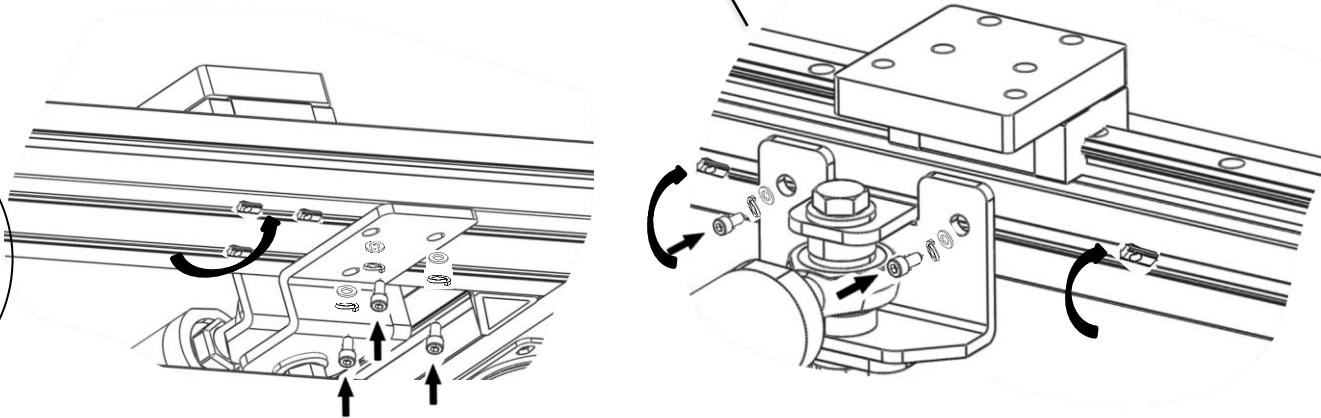
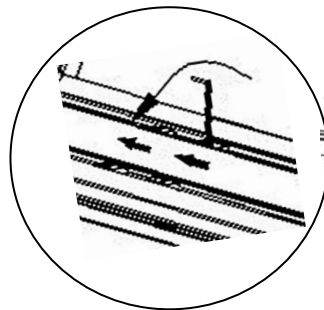
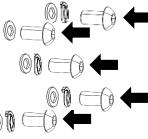
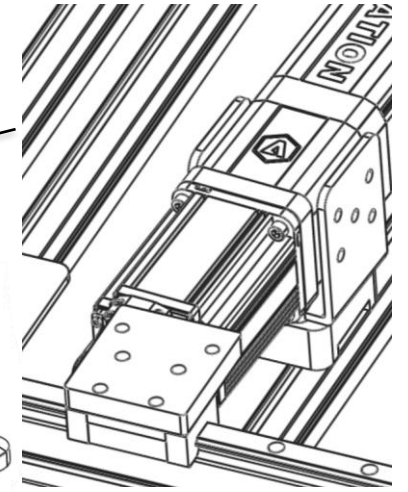
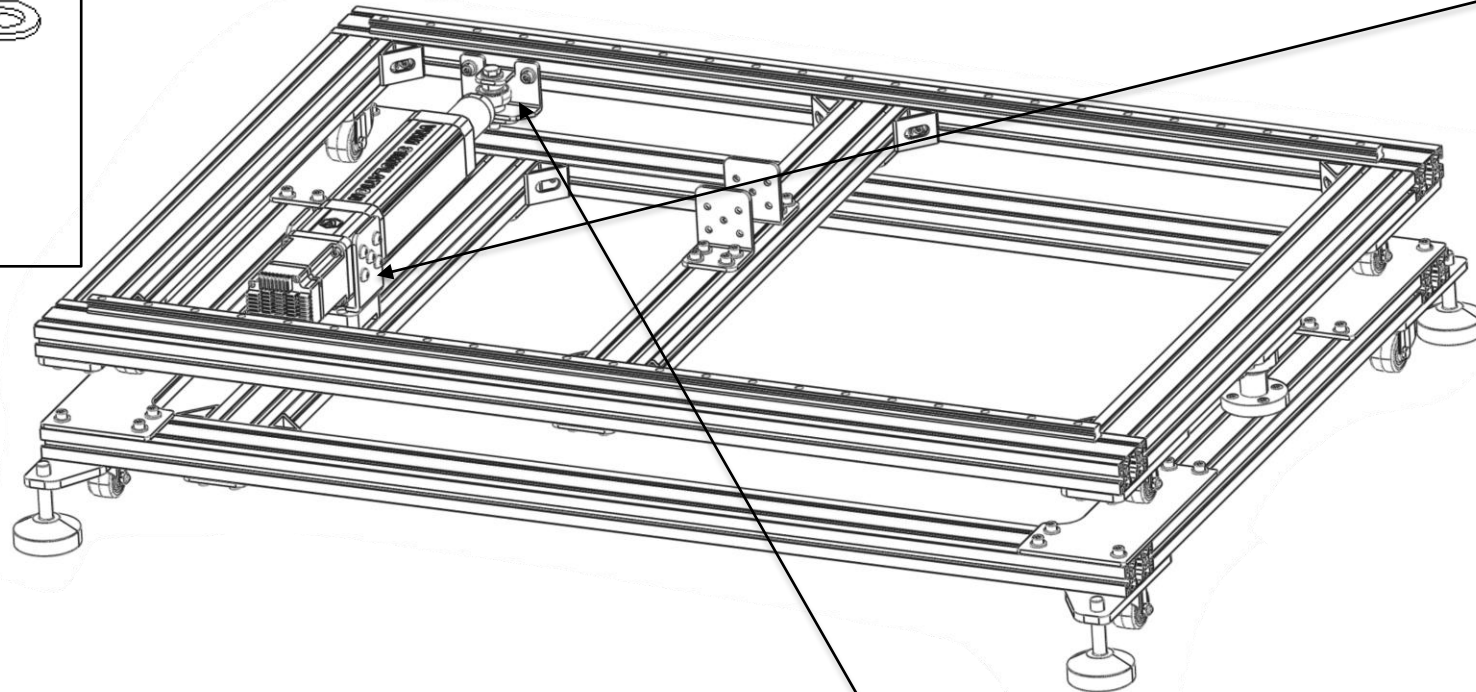
M8 Slider
x5




Flat
x15

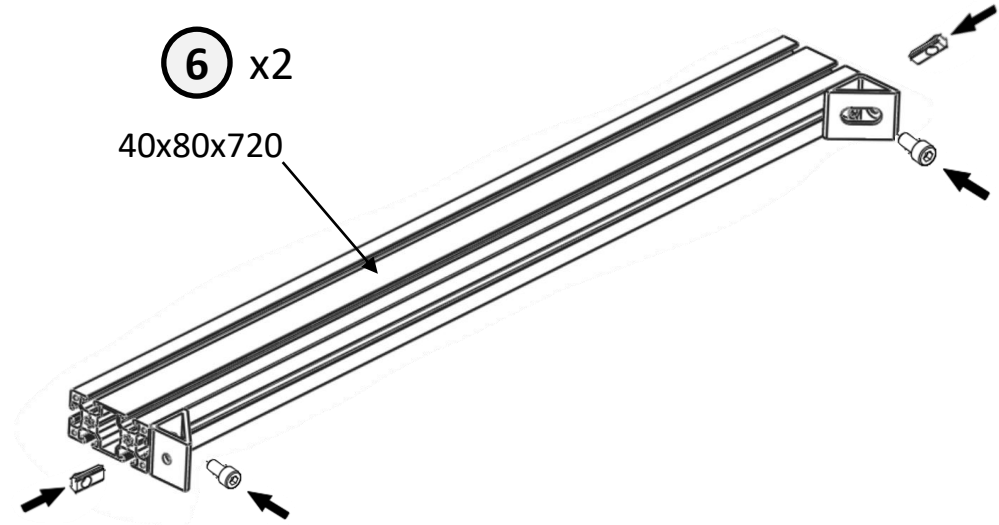


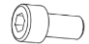

Spring M8
x15

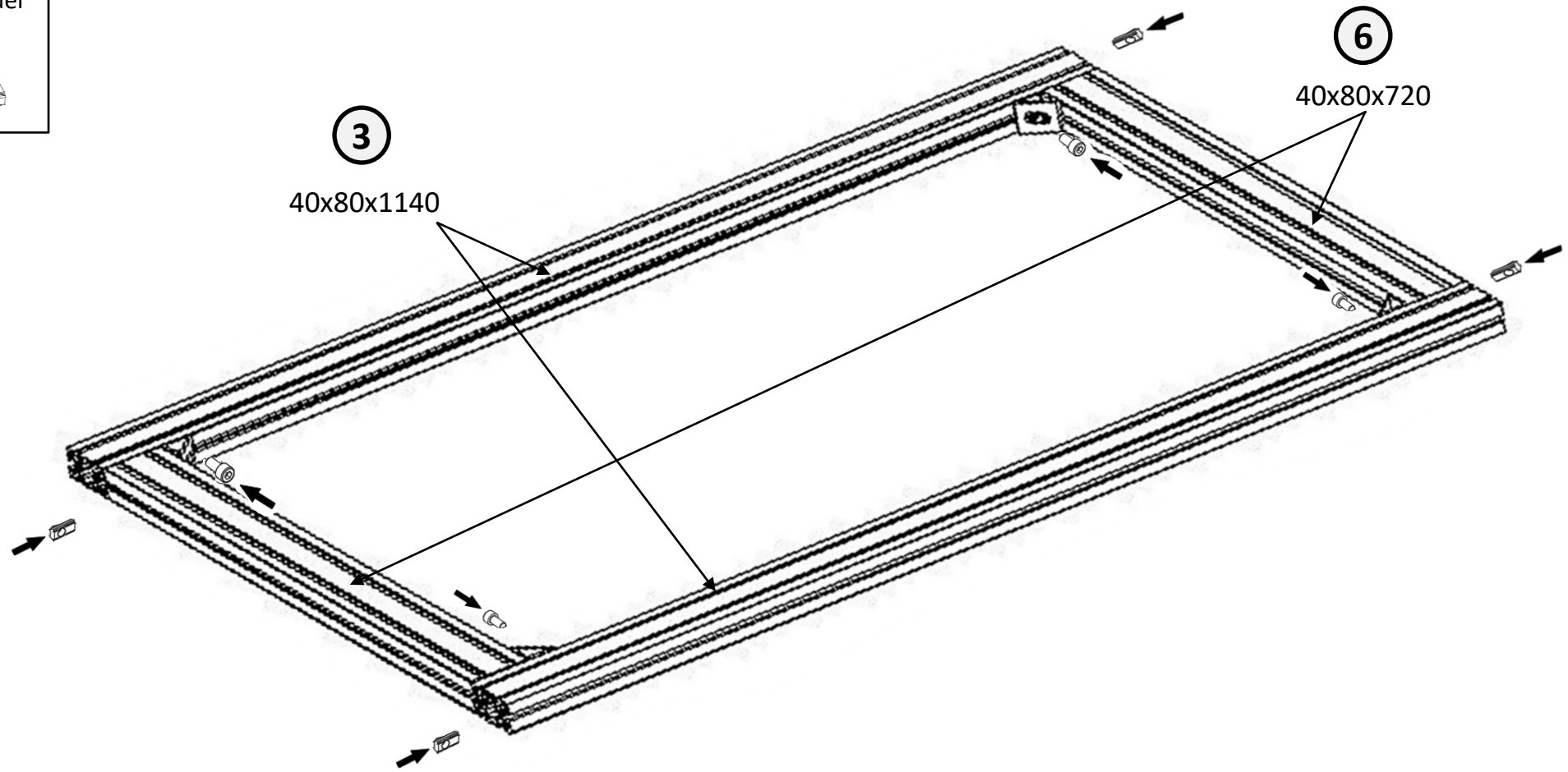
Mo M8x16
x10



4040 Conner Alu x2	M8x16 x2	M8 Slider x2
		



M8x16 x4	M8 Slider x4
	



M8x16
x32



M8 Slider
x32



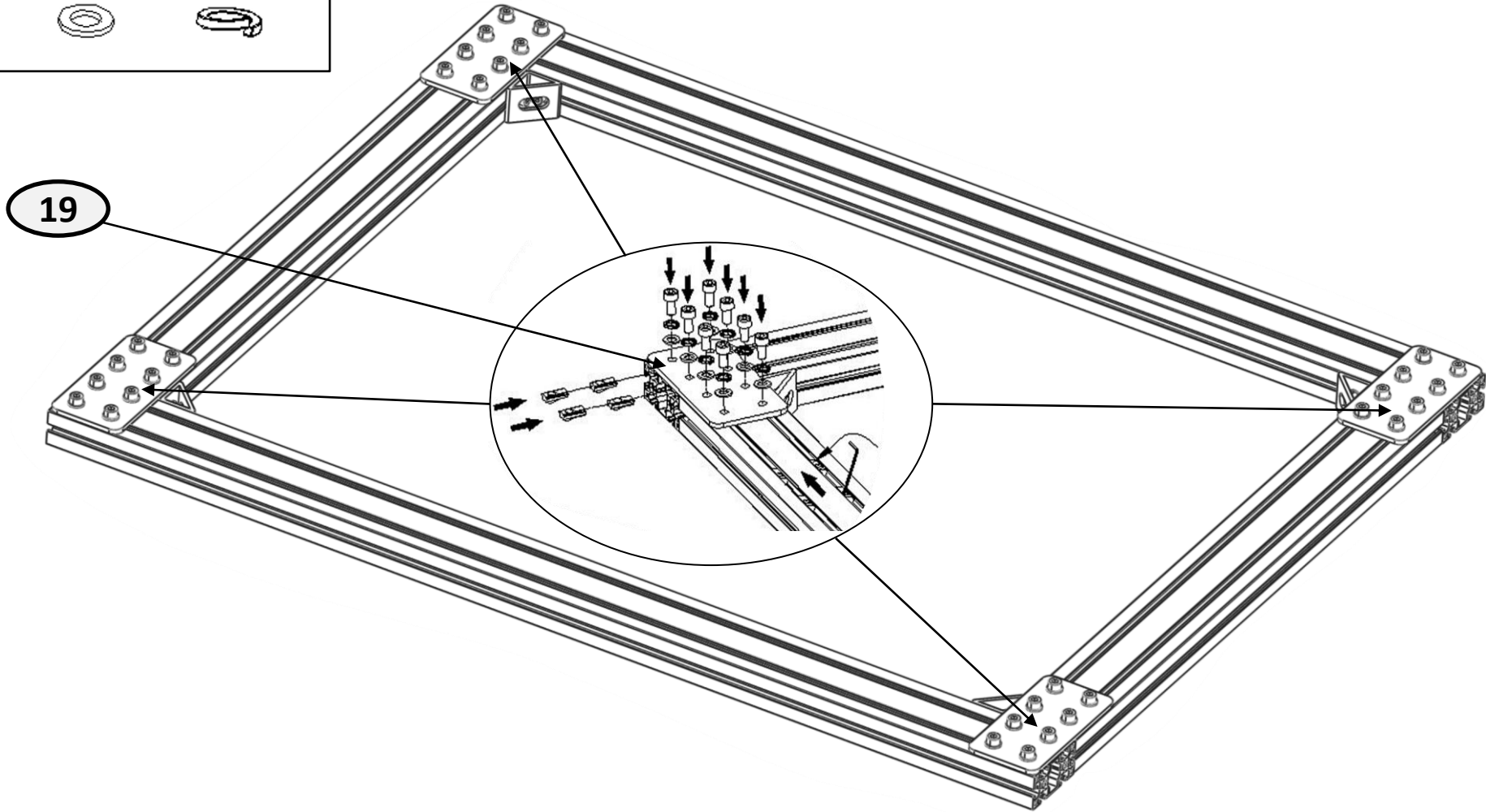
Flat
x32

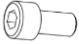



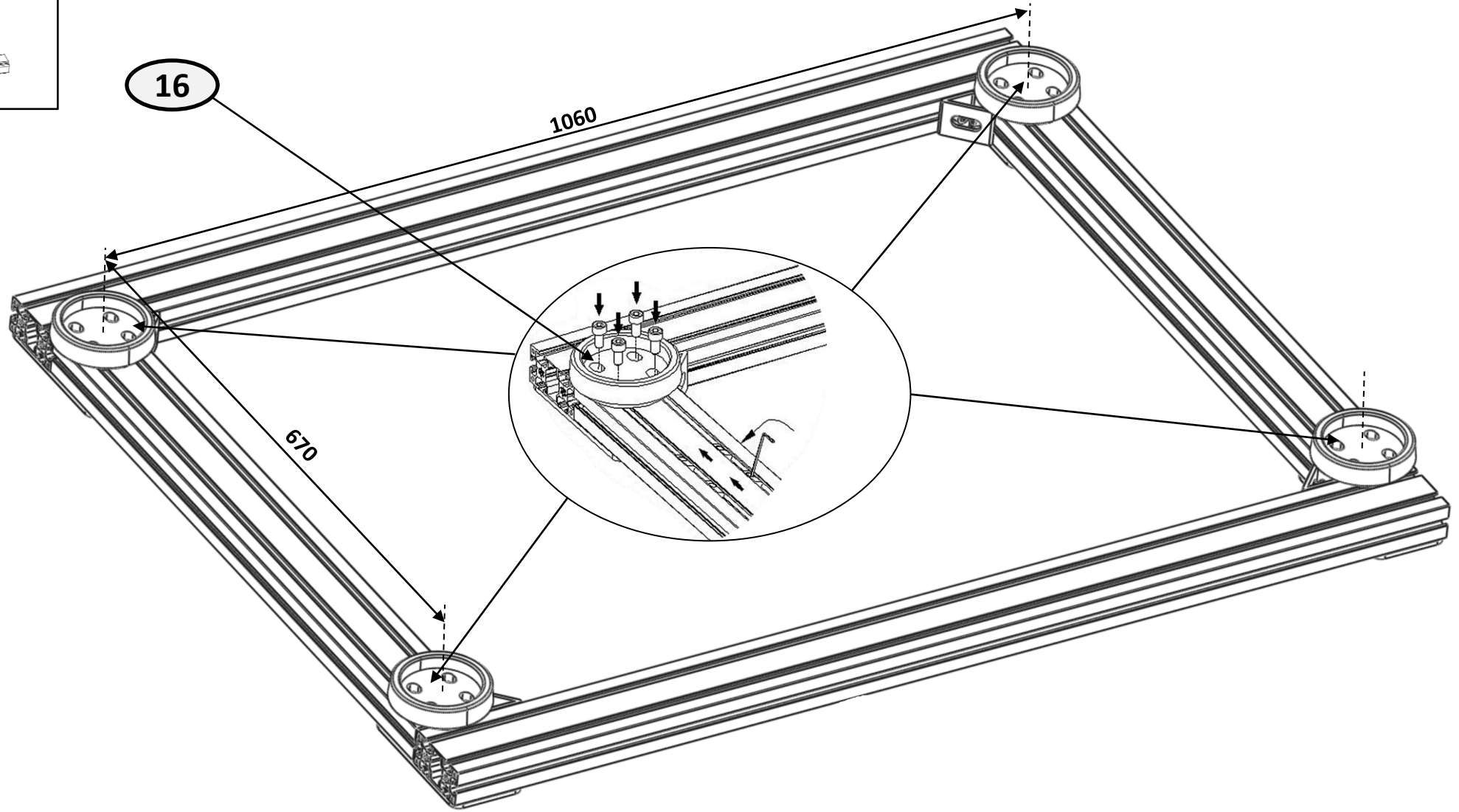
Spring M8
x32



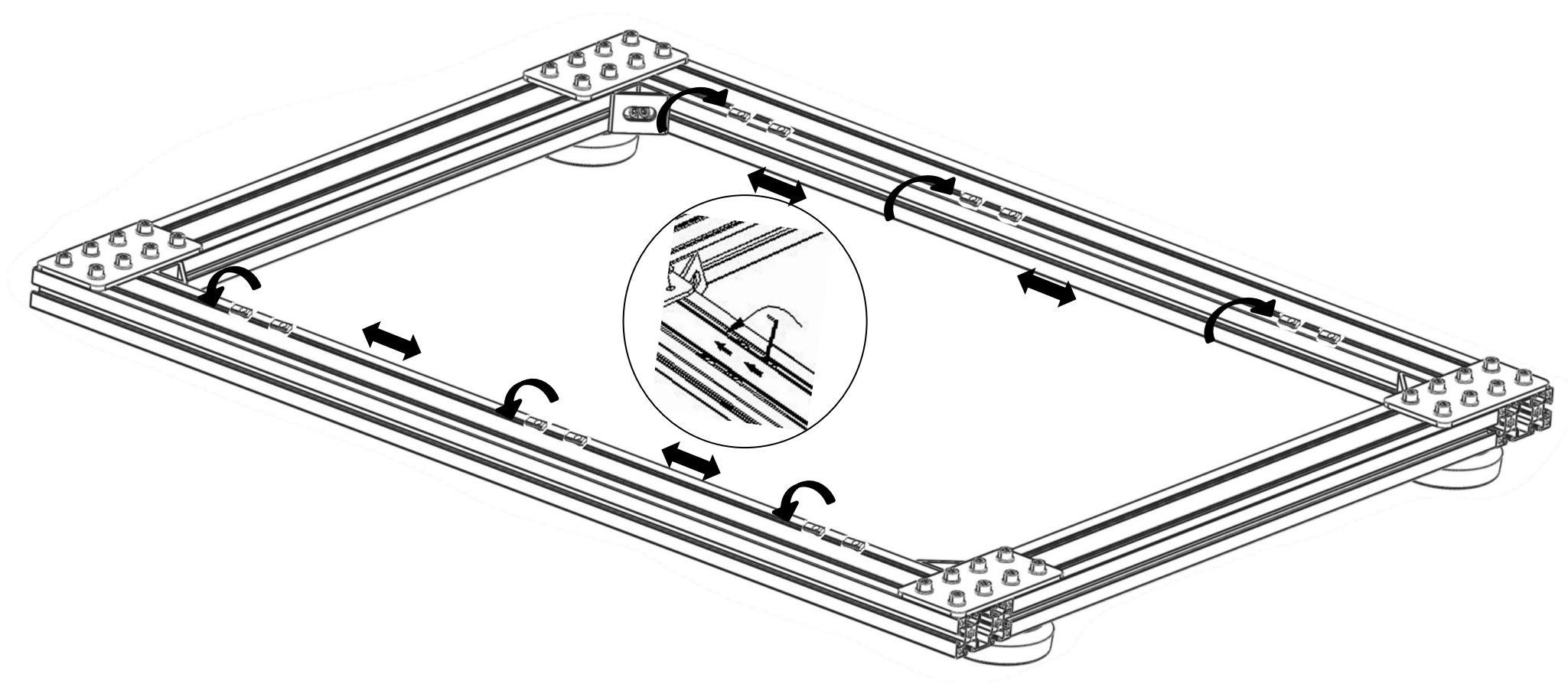
19

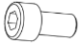



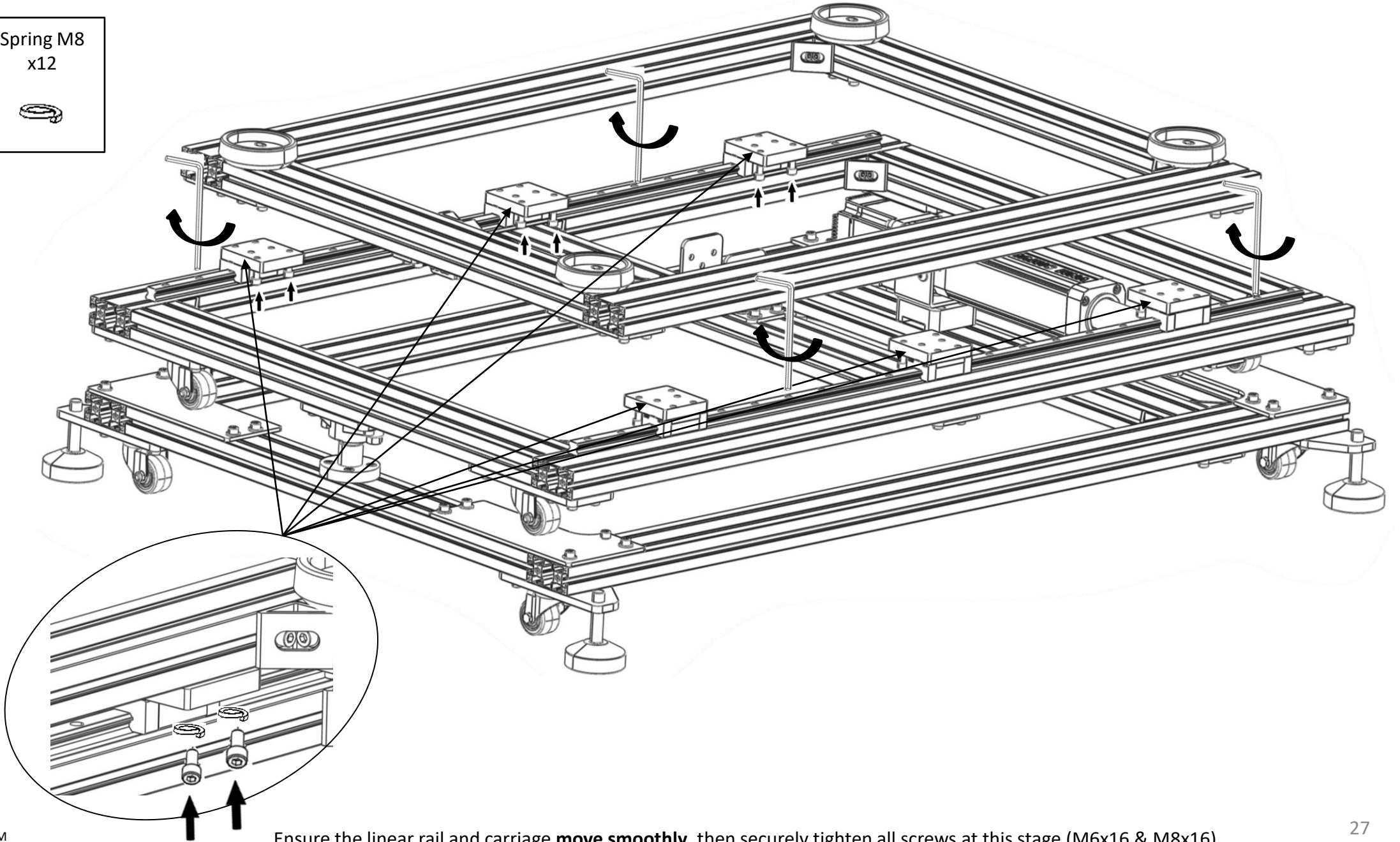
M8x16 x16	M8 Slider x16
	





M8 Slider
x12



M8x16 x12	Spring M8 x12
	



Ensure the linear rail and carriage **move smoothly**, then securely tighten all screws at this stage (M6x16 & M8x16).

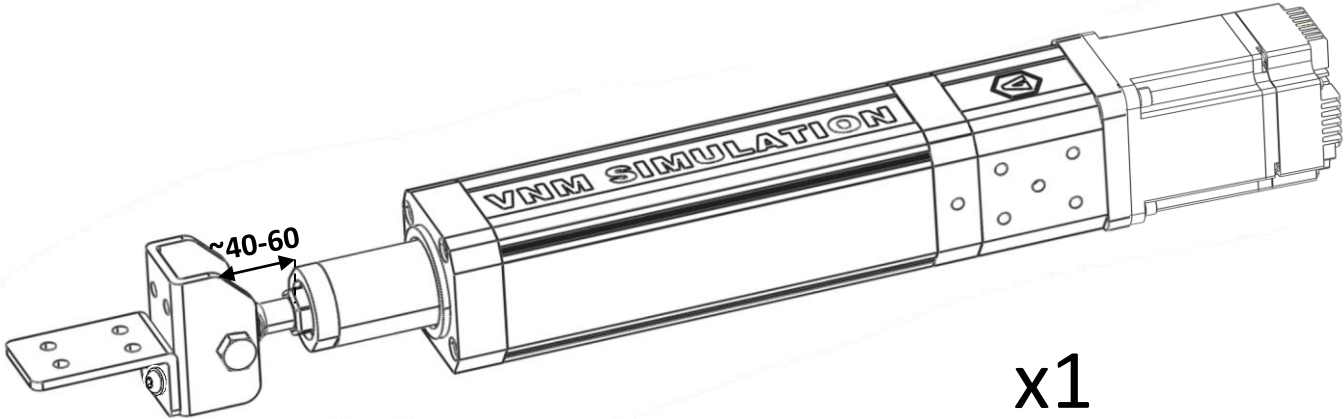
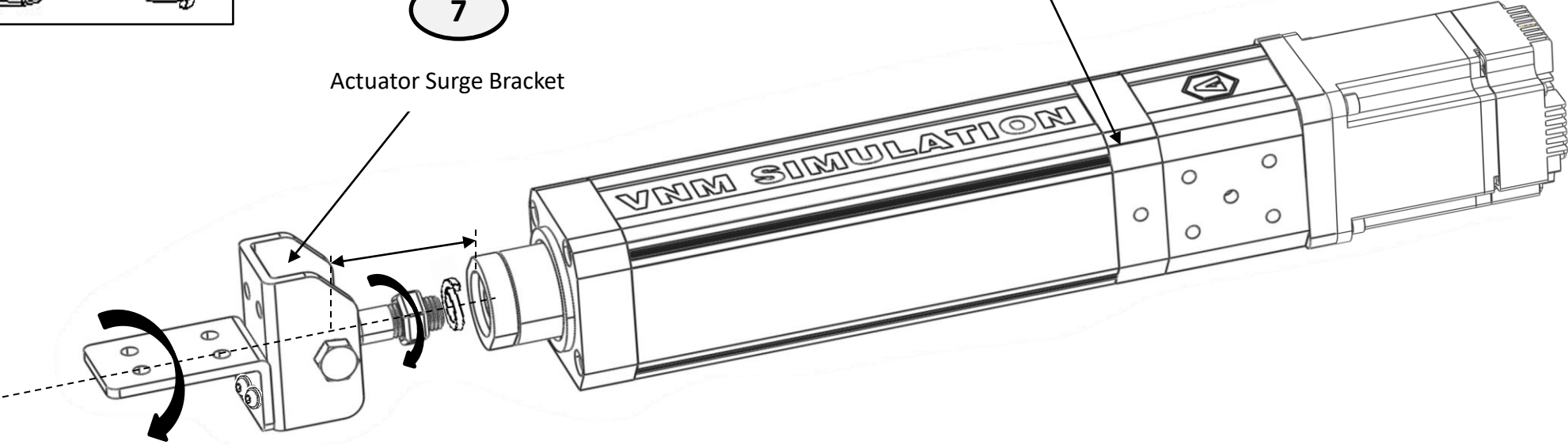
Nut M16 x1	Spring M16 x1
	

7





Actuator Surge Bracket

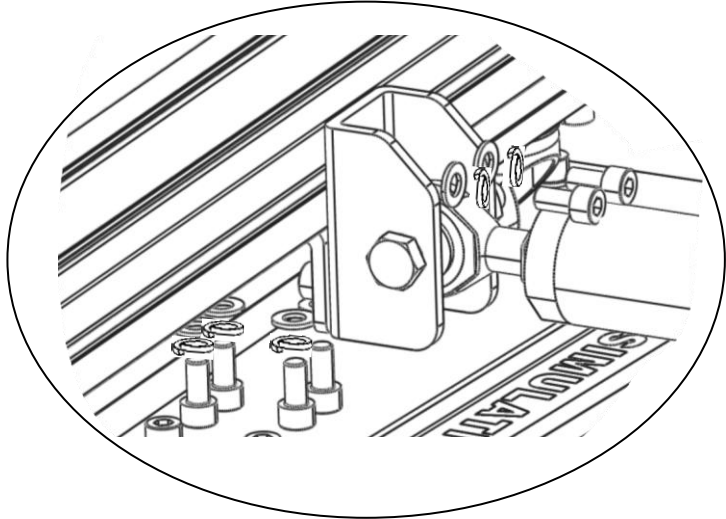
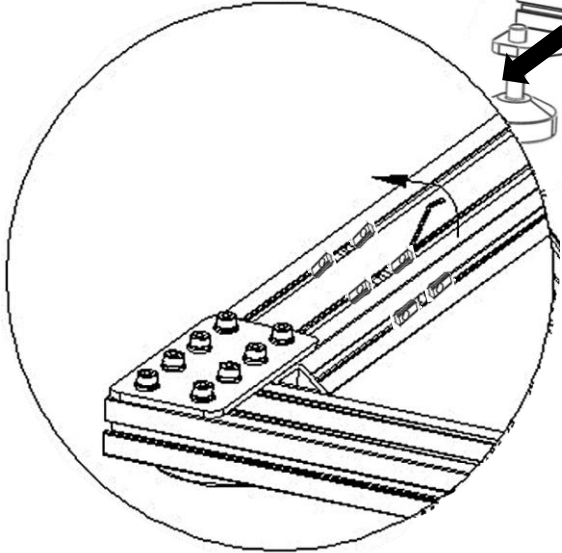
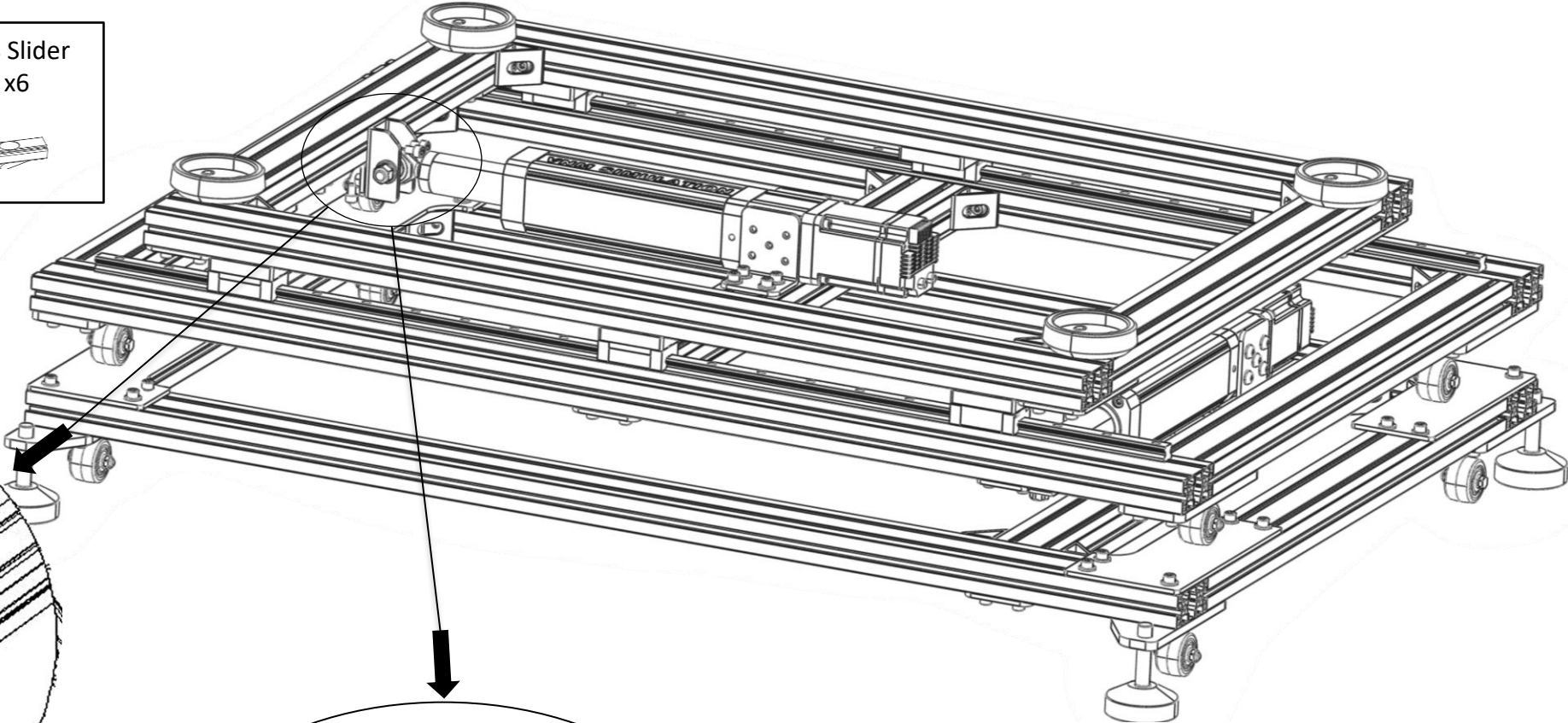
8

VNM Actuator 150mm



x1

M8x16 x6	Flat x6	Spring M8 x6	M8 Slider x6
			



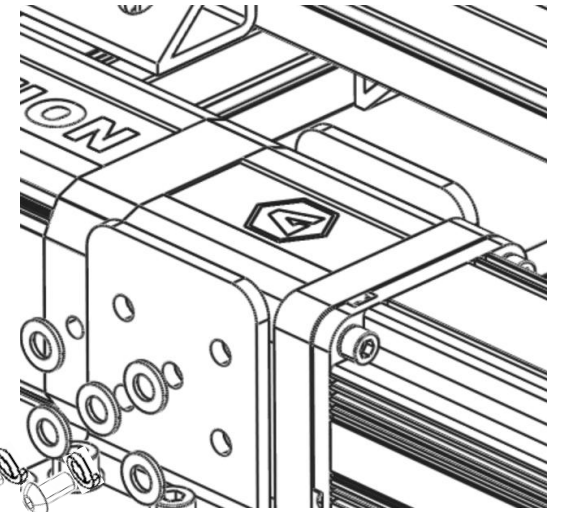
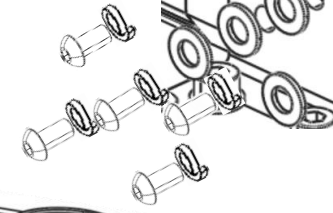
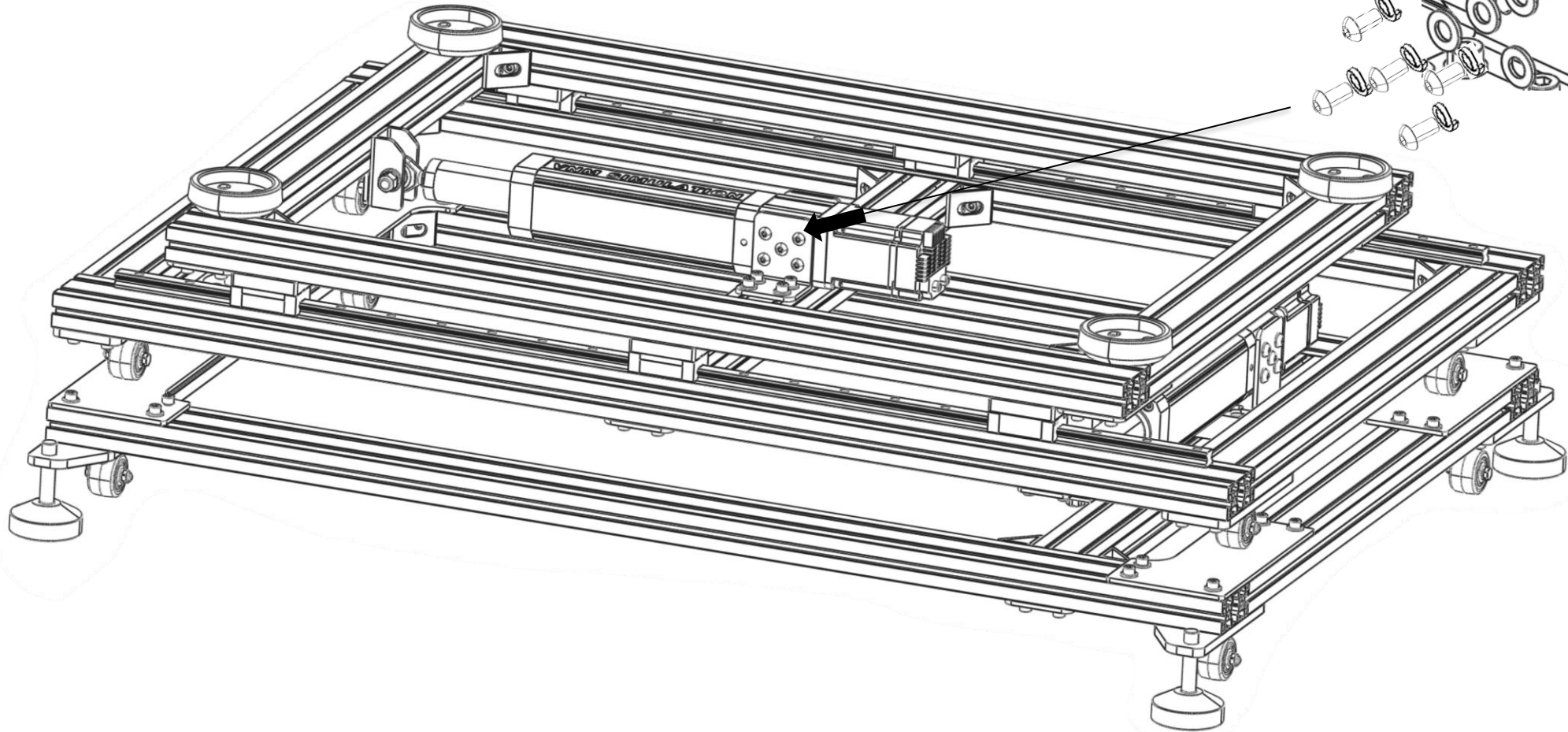
Spring M8
x10



Mo M8x16
x10



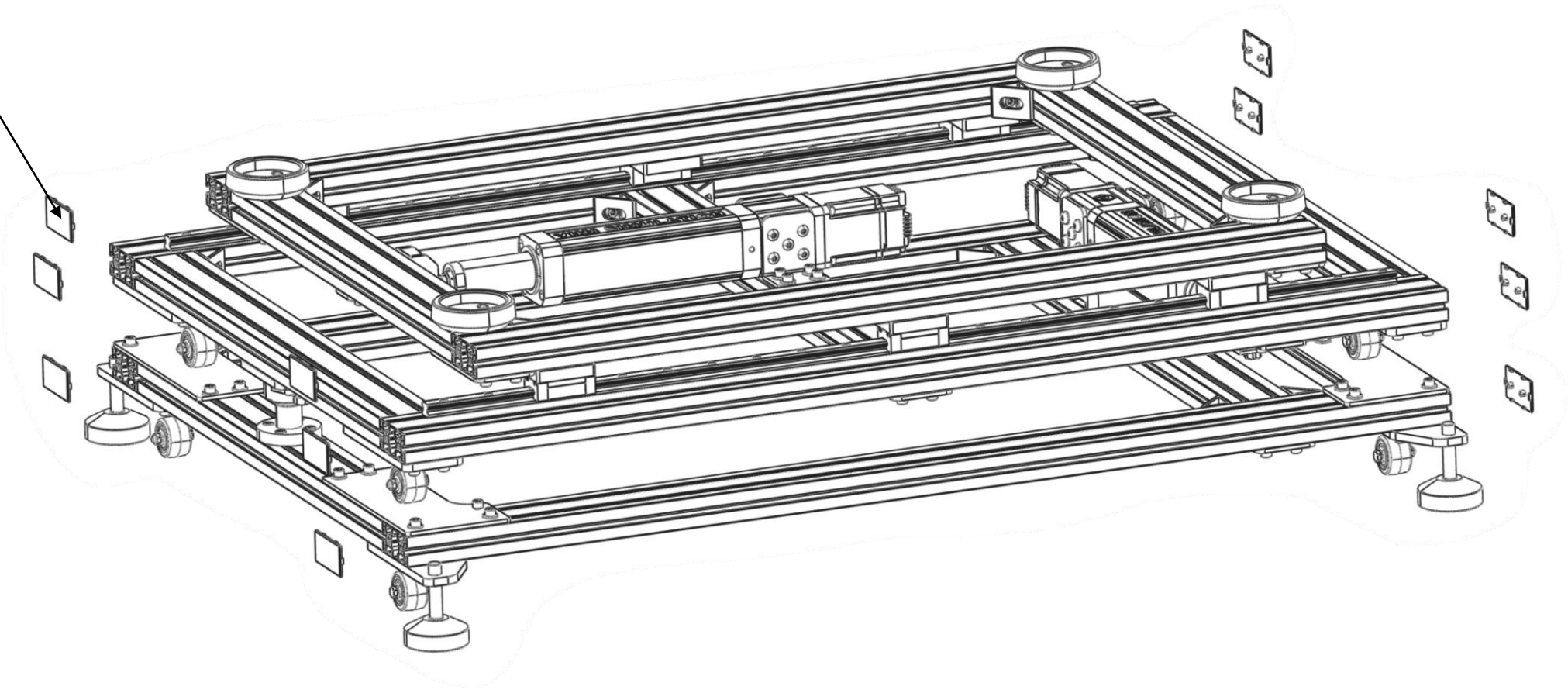
Flat
x10

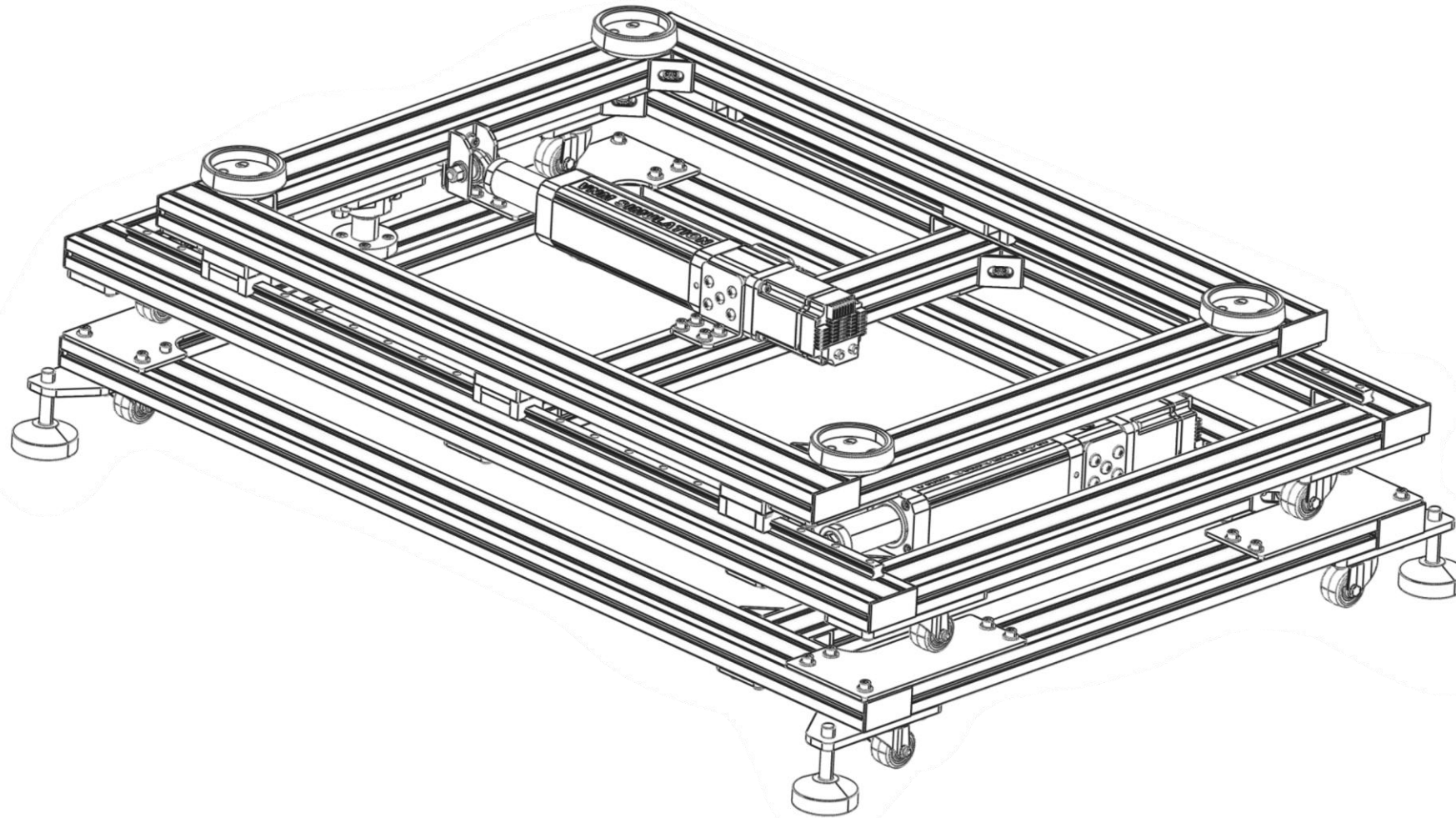




20

Alu Cover





*“Congratulations on completing your rig assembly.
If you have any questions or encounter any problems, please contact us for support!”*