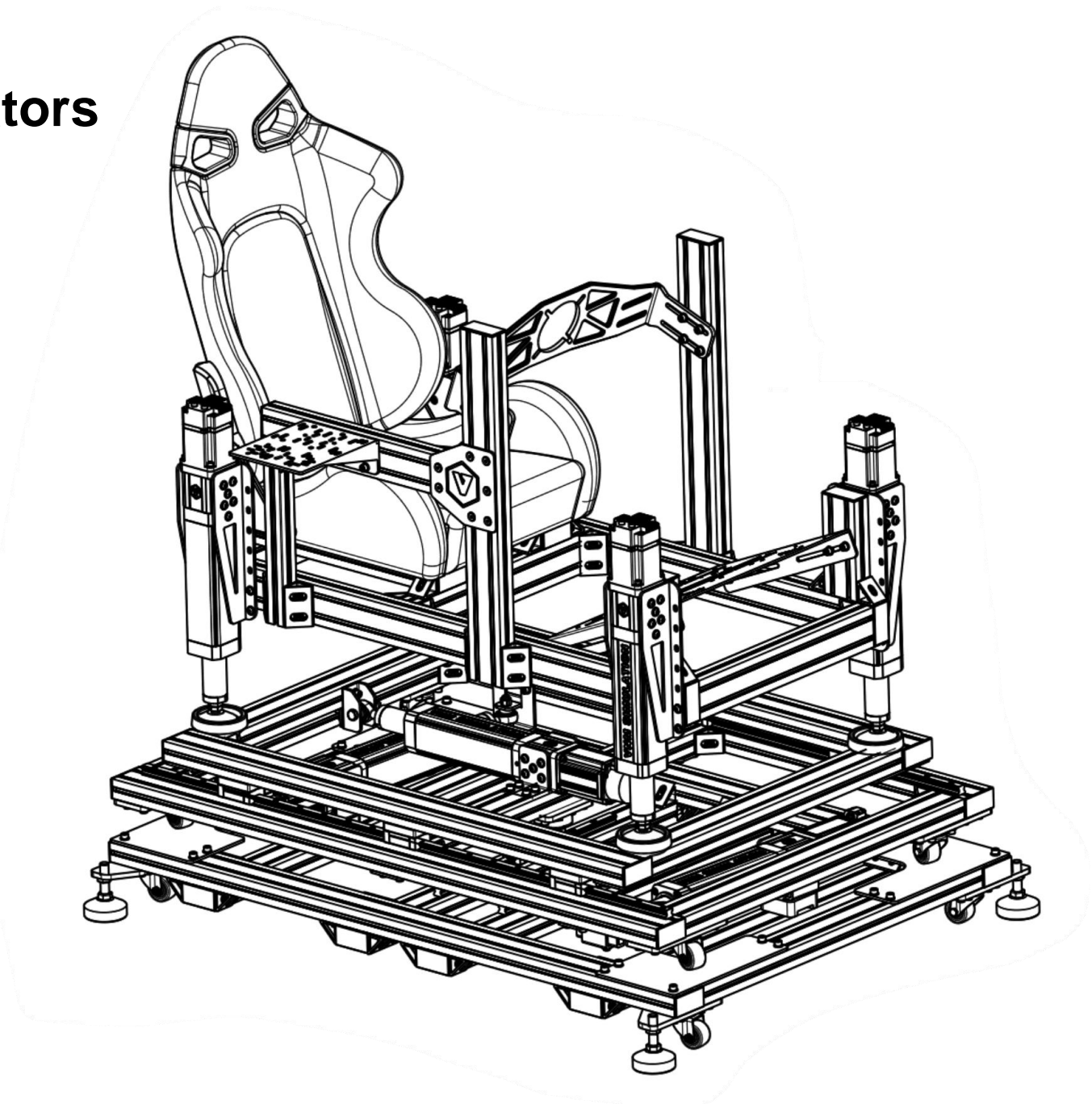
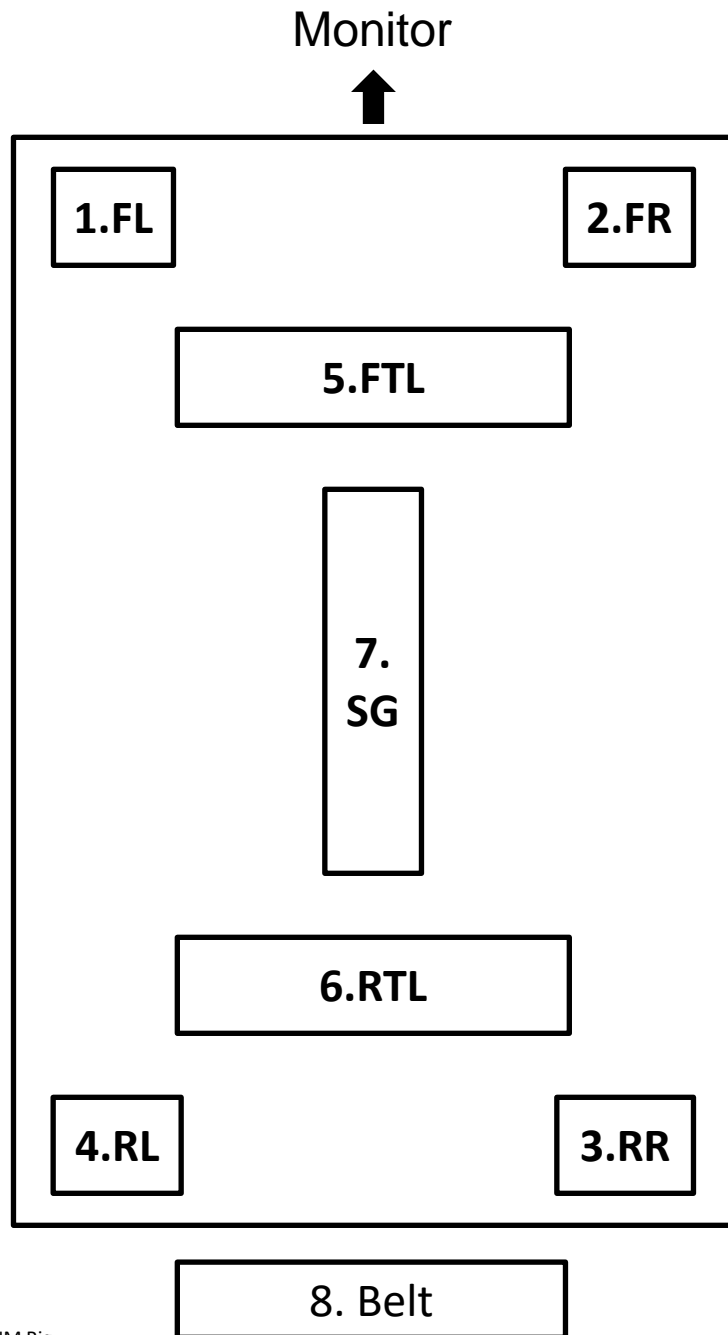




Installation guide

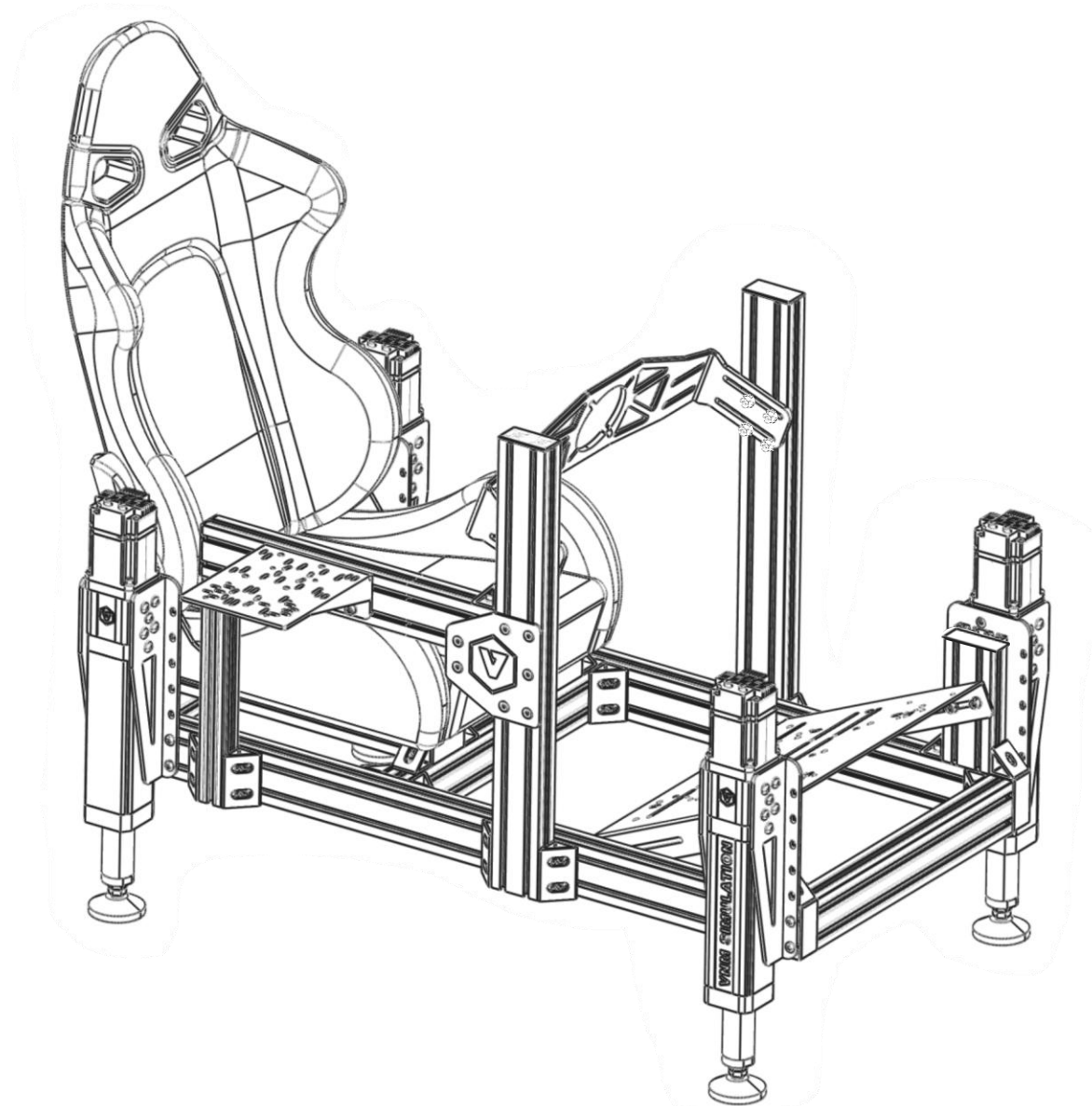
VNM Rig 6Dof 7Actuators



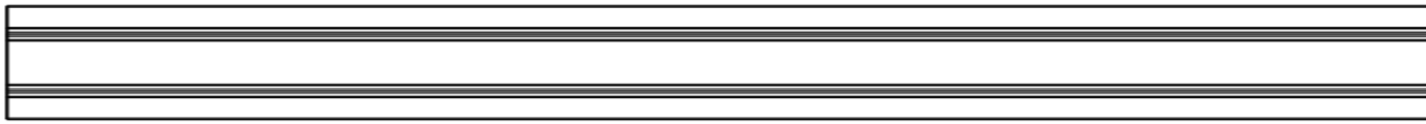


Warning: Before installing or configuring the motion system on your rig, ensure that the surrounding area is completely clear. This helps prevent collisions if the rig moves unexpectedly. Keep the motion rig away from nearby objects such as computer monitors, TVs, mobile phones, etc.

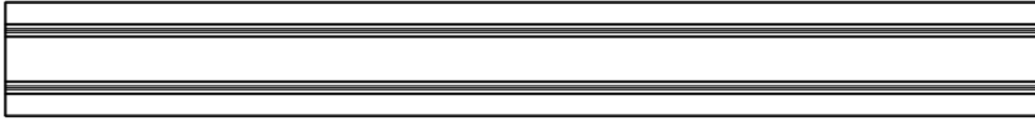
Installation guide VNM Rig 3Dof 4Actuators



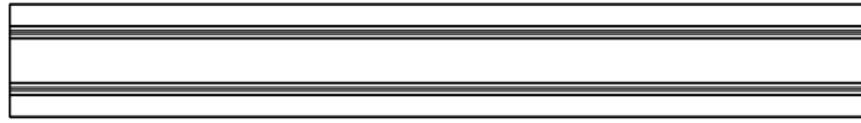
① 40x80x1200
x2



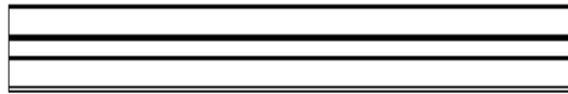
② 40x80x720
x2



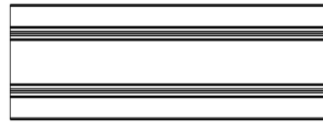
③ 40x80x500
x6



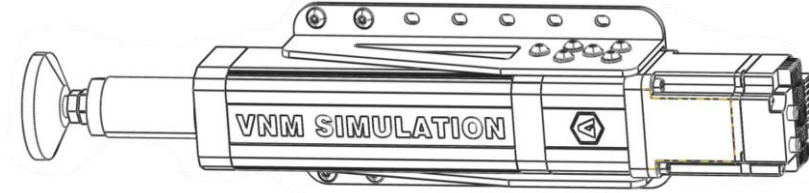
④ 40x40x350
x1



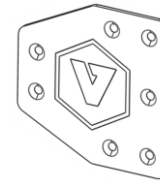
⑤ 40x80x200
x2



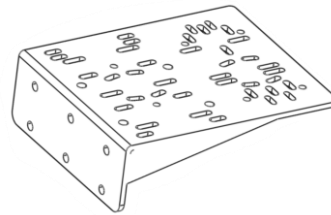
⑥ VNM Actuator
(with U bracket)
x4



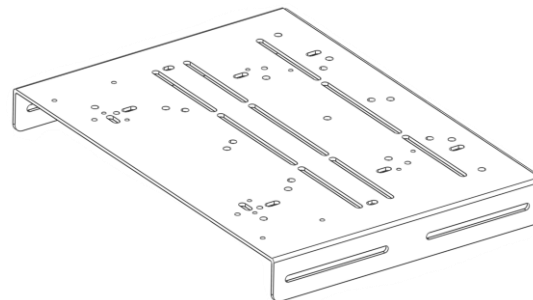
⑦ VNM Plate
x1



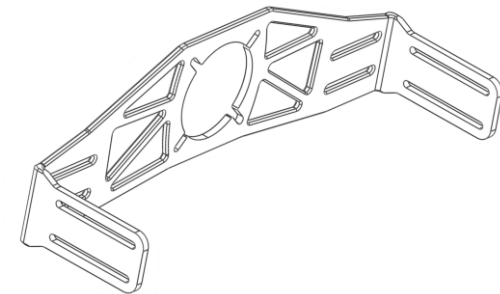
⑧ Handbrake
Shifter Bracket
x1



⑨ Pedal base plate V3
x1



⑩ Wheel base mount V1
x1

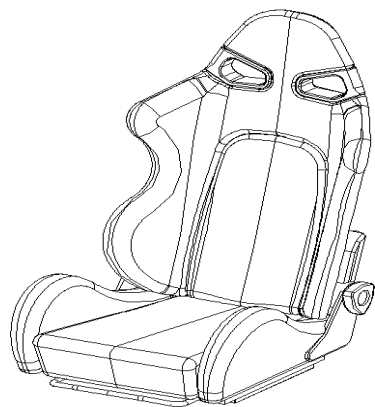


11

Driver's Seat

(May not include)

x1



Flat, Spring M8

x86



M8x20

x8



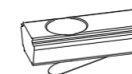
M8x16

x120



M8 Slider

x135



M16 Nuts, Spring M16

x4



M8x16

x7



M8x16

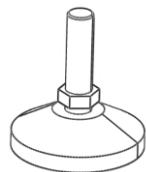
x48



12

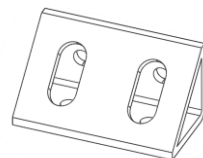
Actuator Feet

x4



4080 Conner Alu

x14



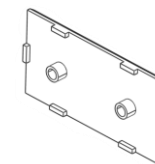
4040 Conner Alu

x15

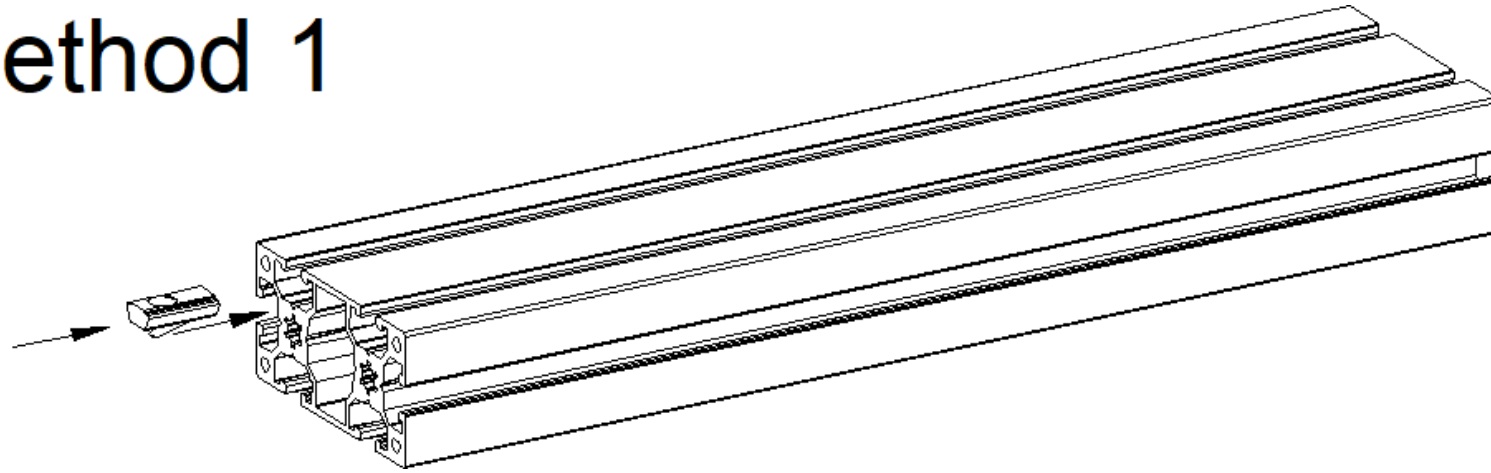


Alu Cover

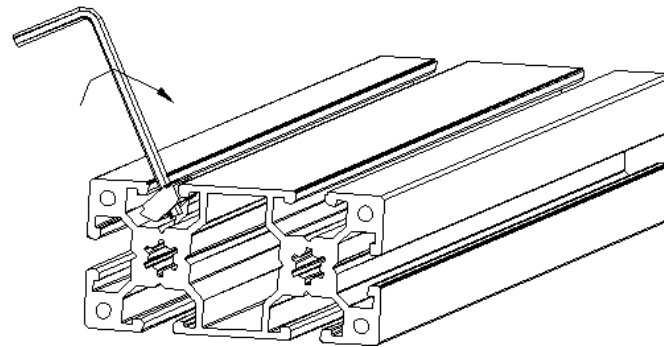
x13

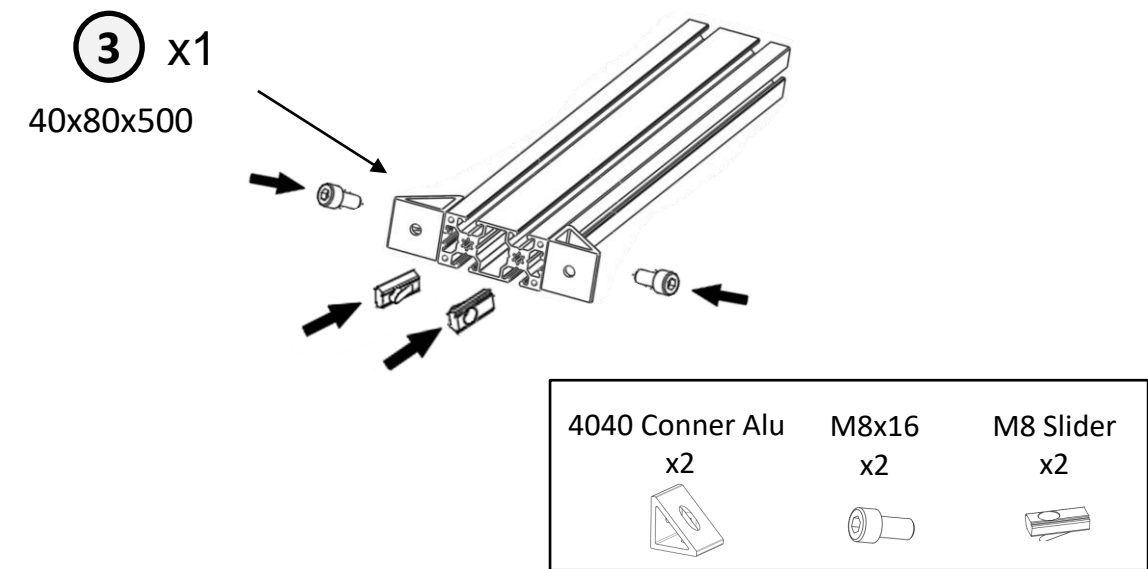
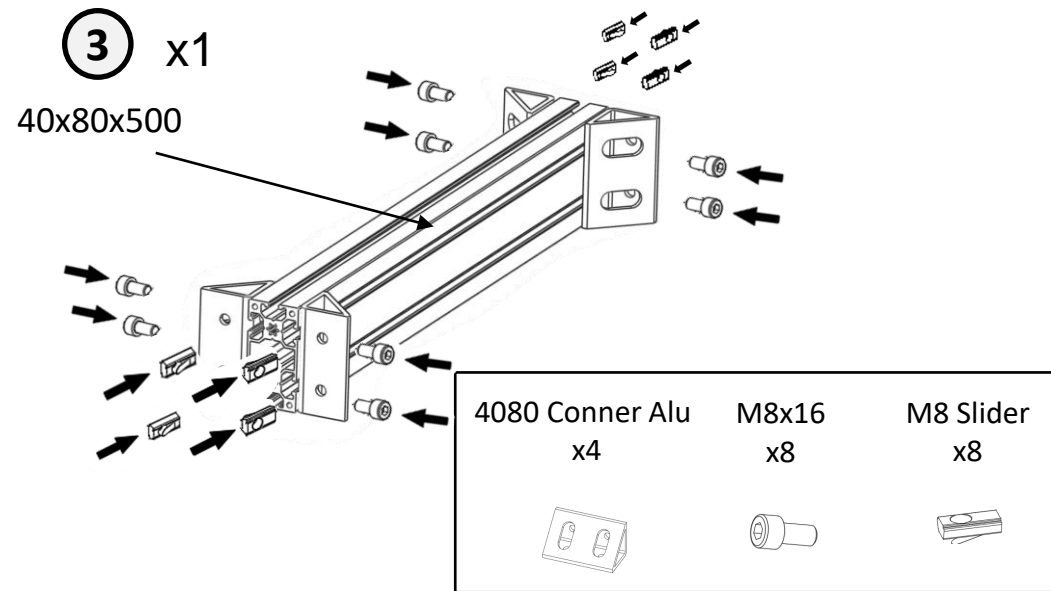
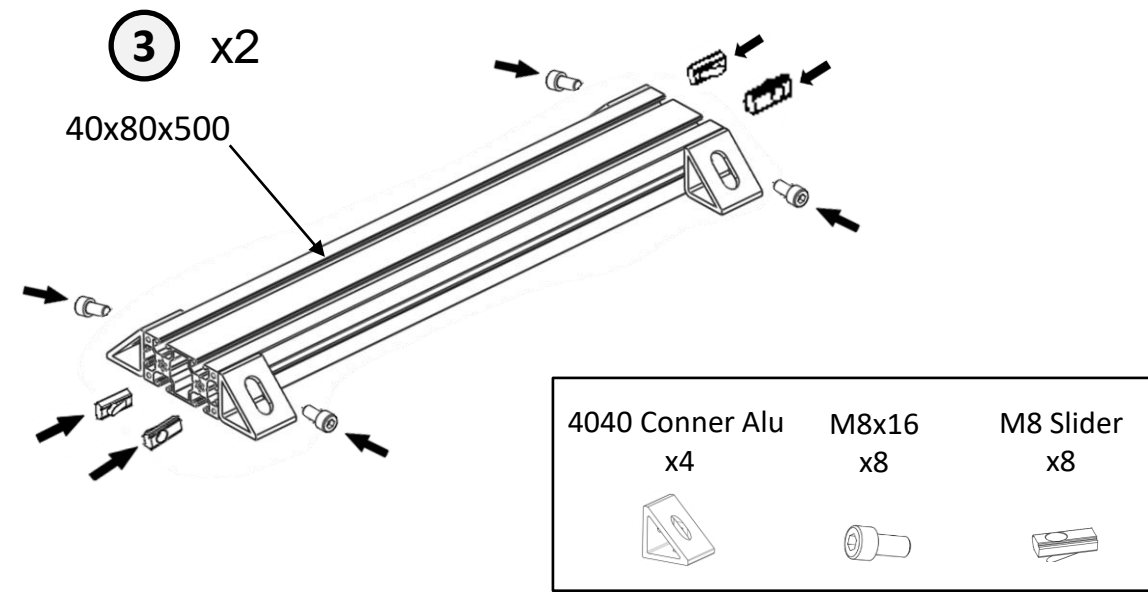
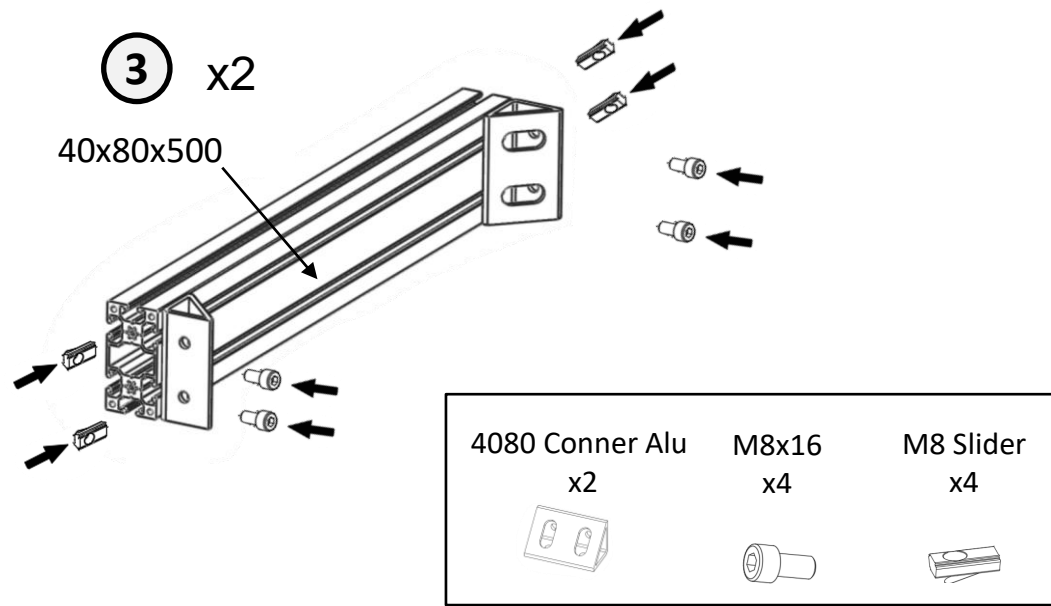


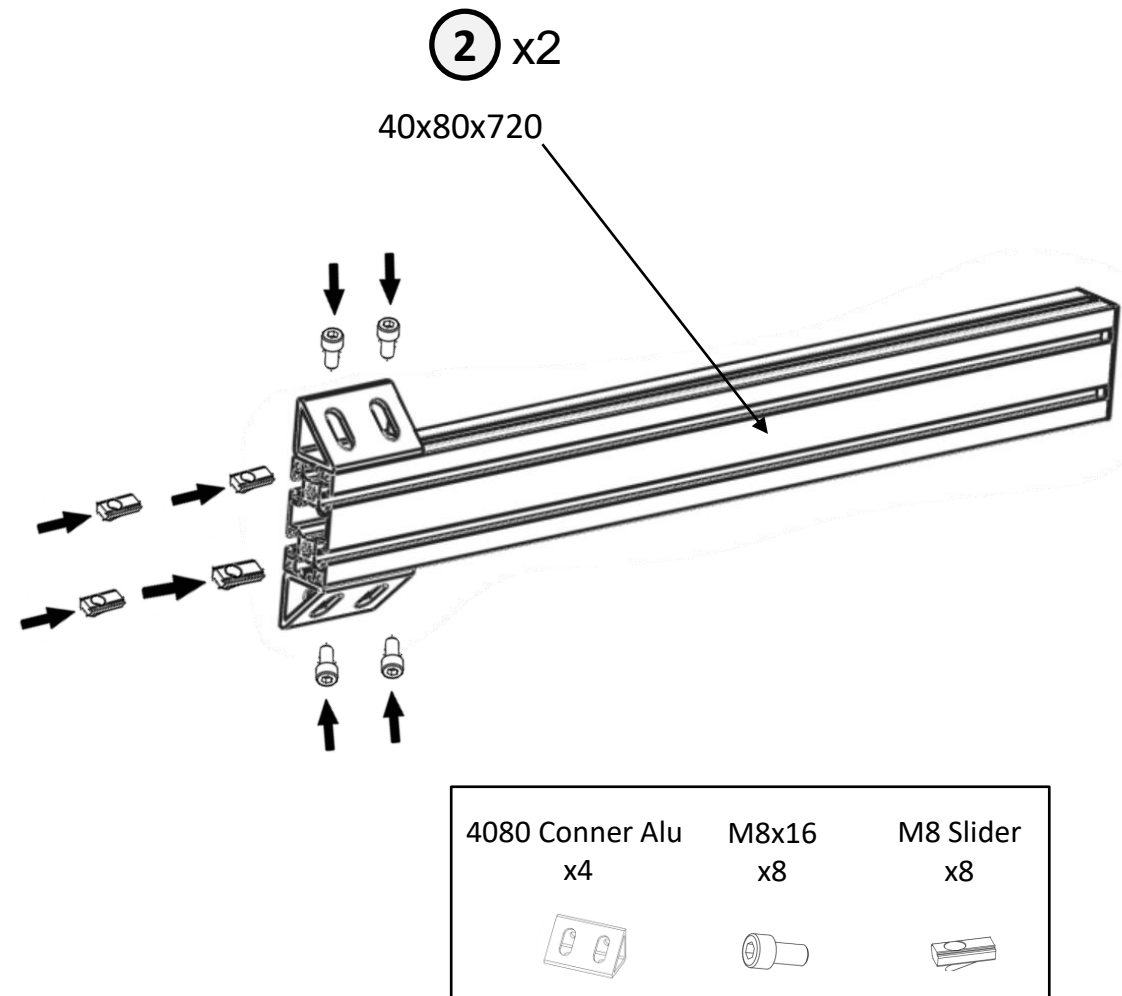
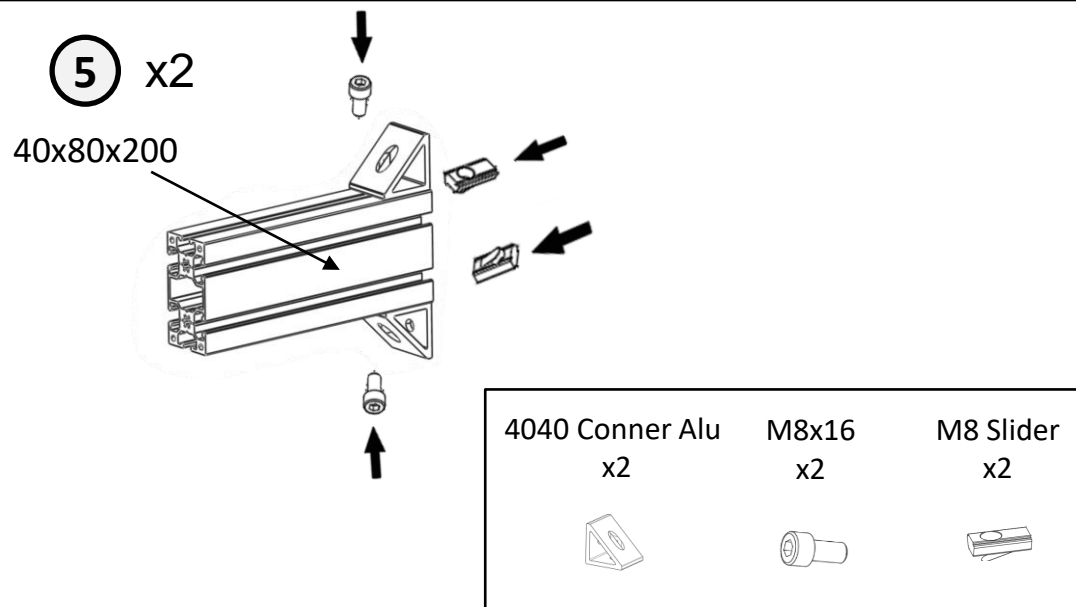
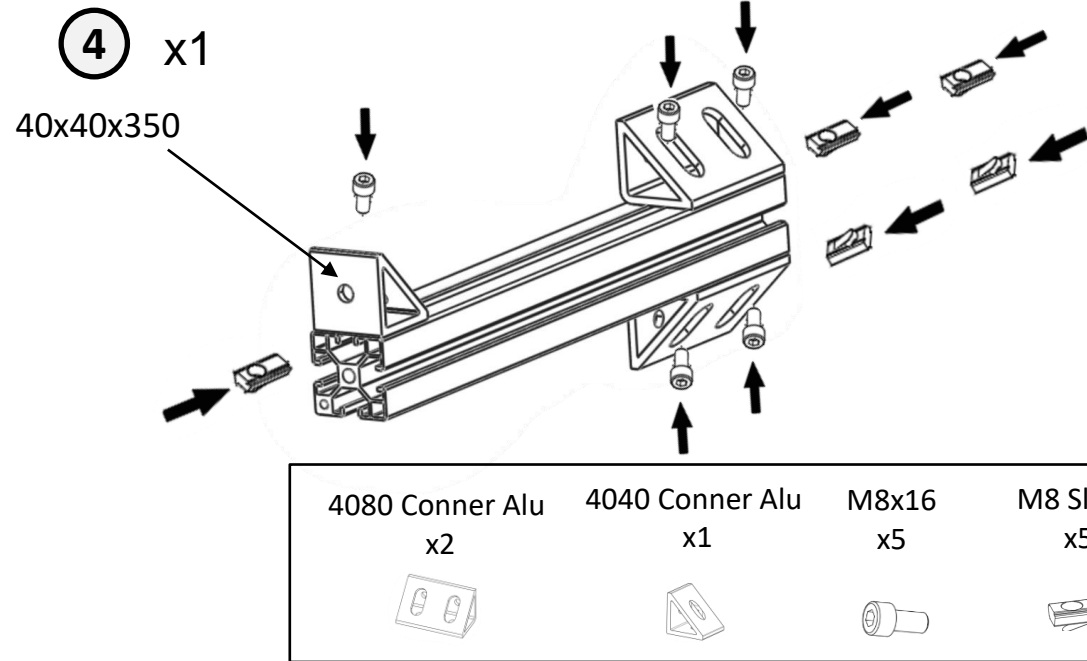
Method 1





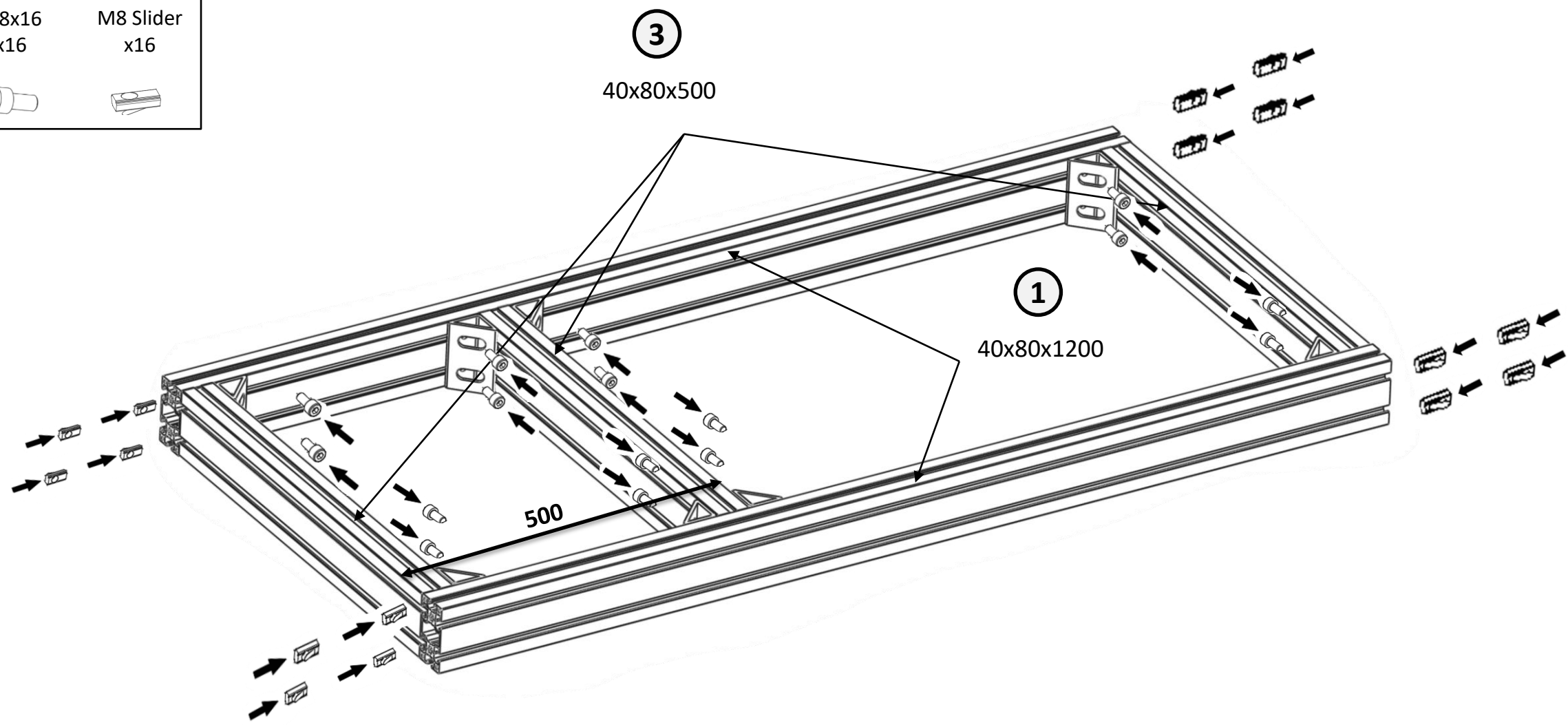
Method 2

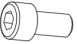



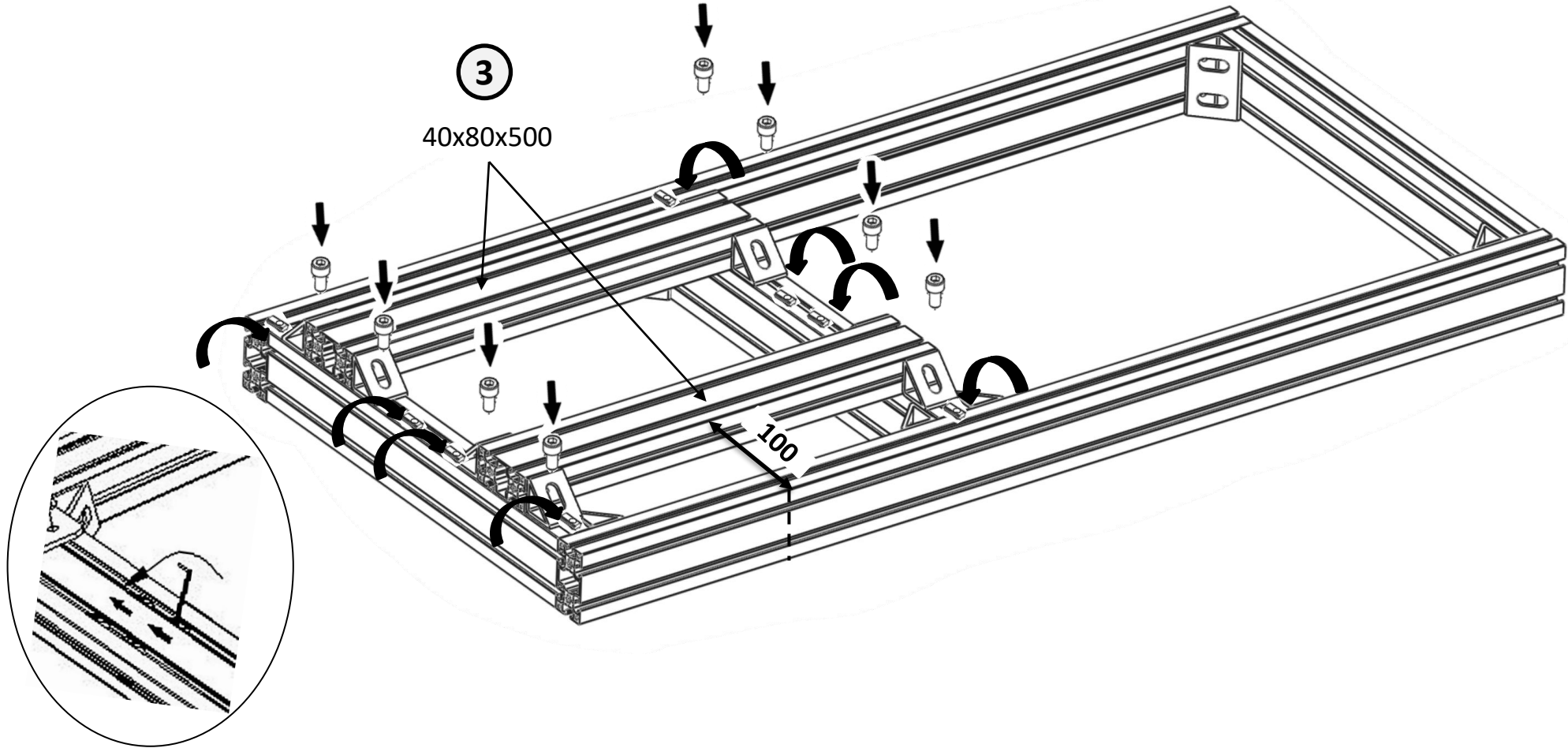


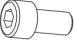



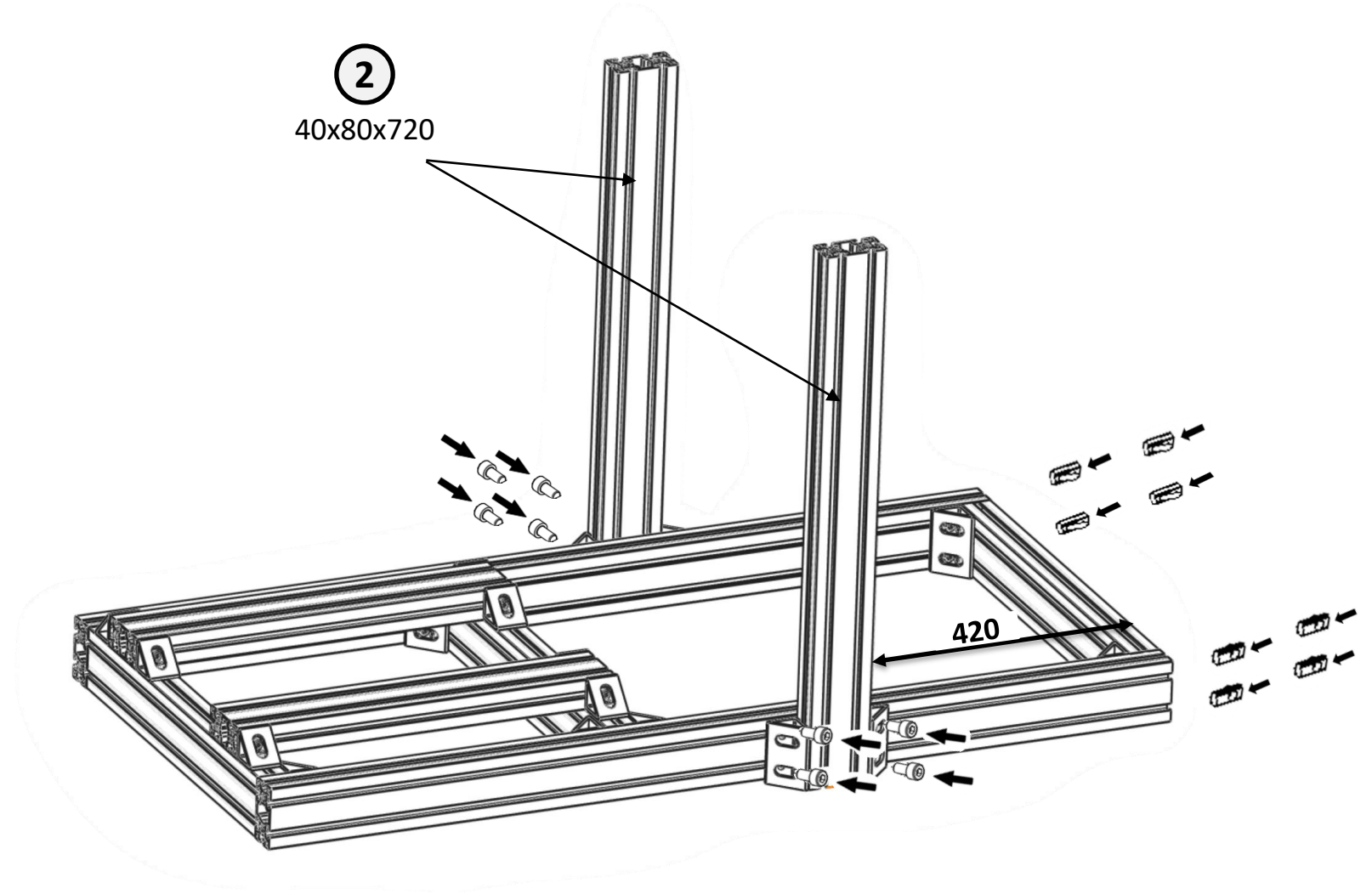
M8x16 x16	M8 Slider x16
	

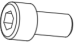



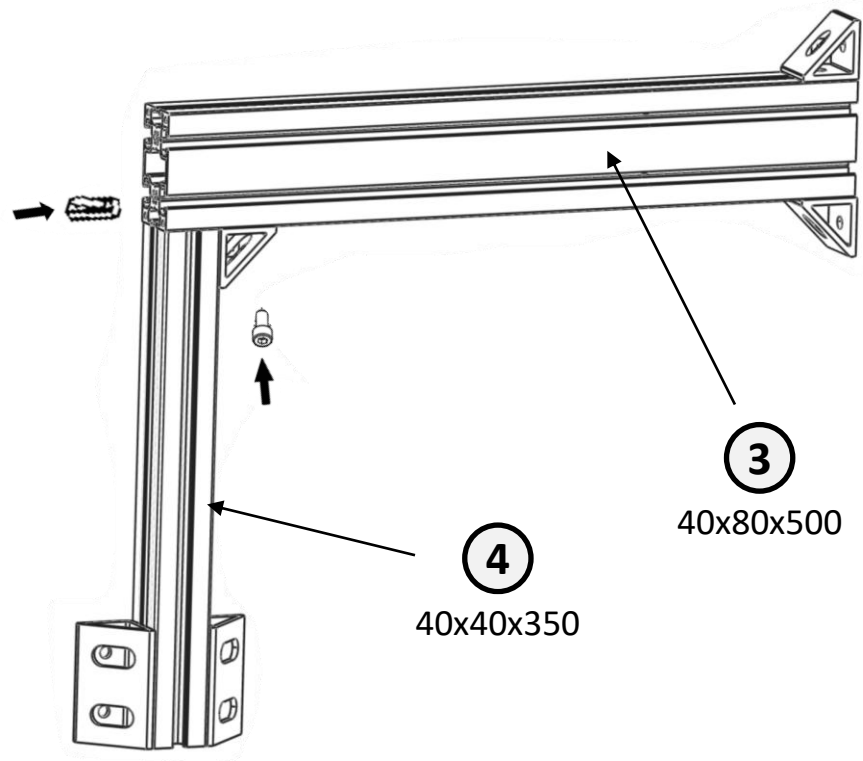
M8x16 x8	M8 Slider x8
	


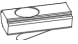


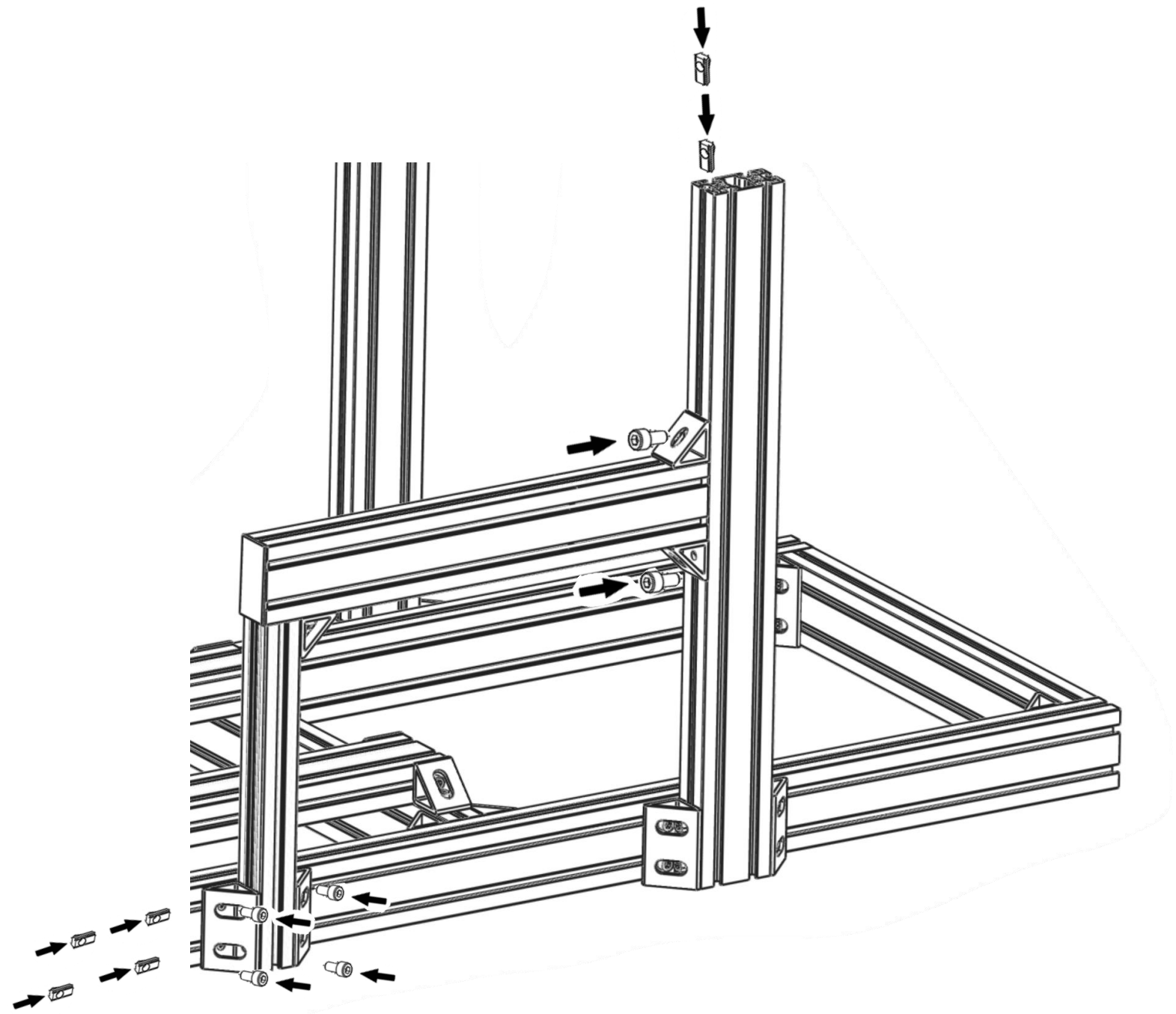
M8x16 x8	M8 Slider x8
	


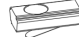


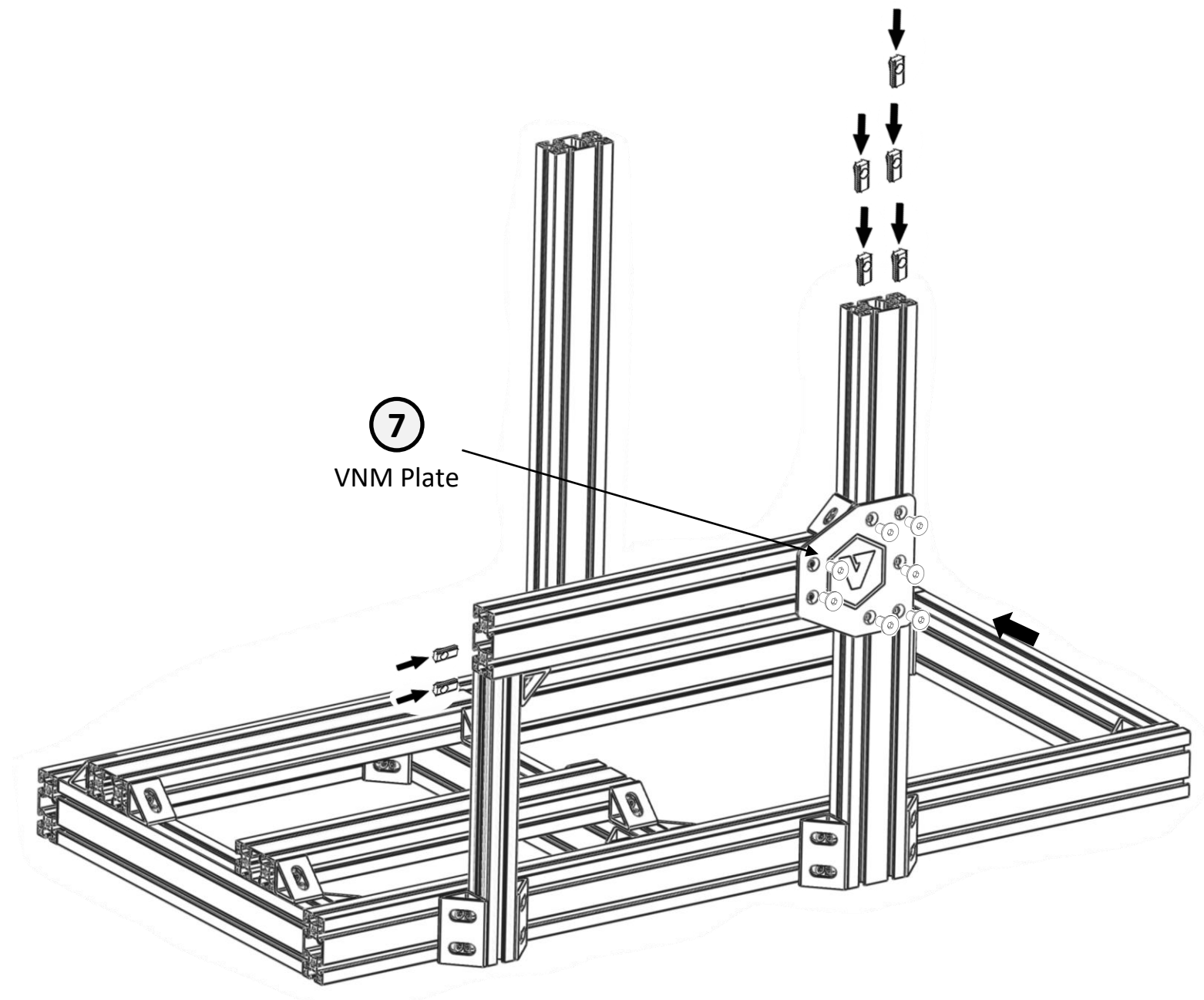
M8x16 x1	M8 Slider x1
	


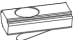



M8x16 x6	M8 Slider x6
	



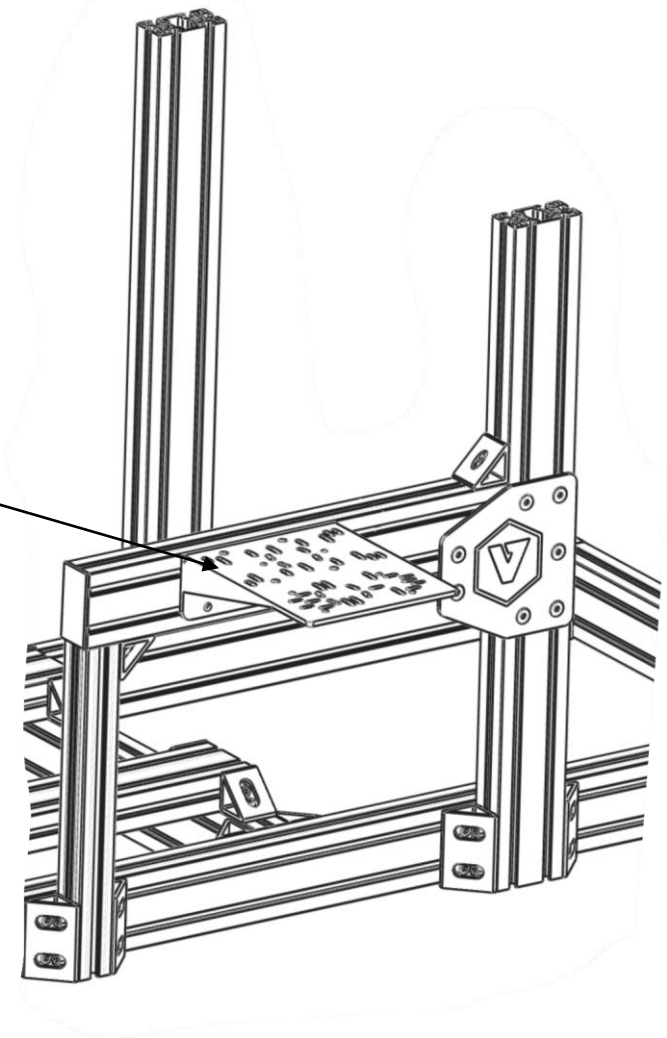
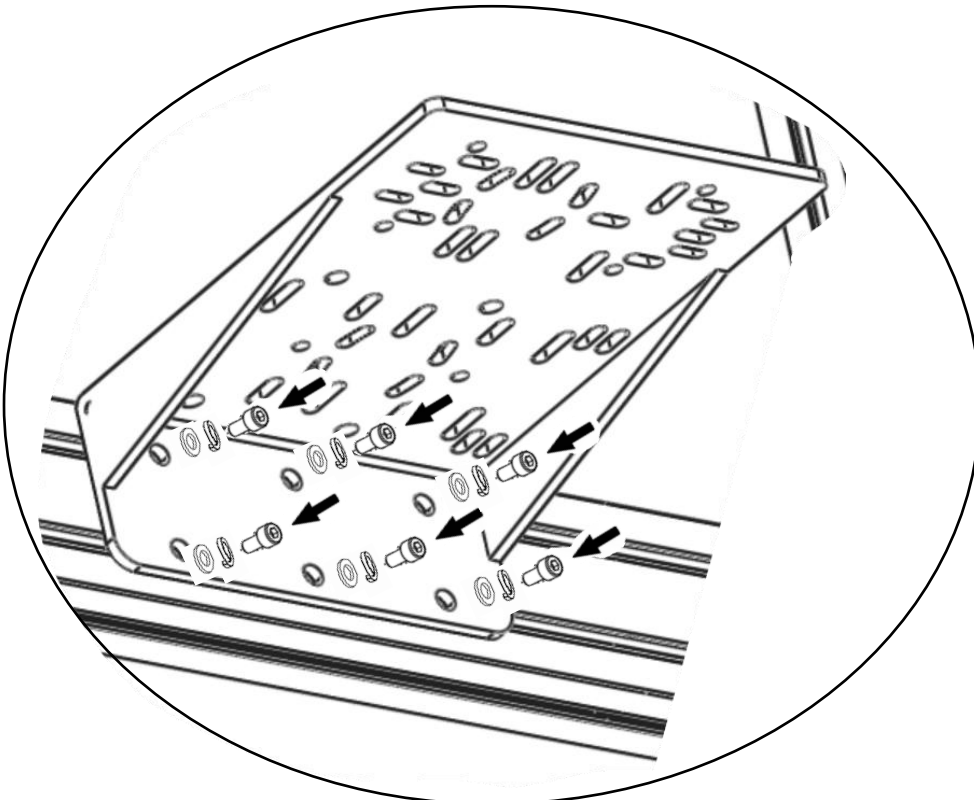
M8x16 x7	M8 Slider x7
	

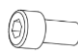
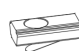



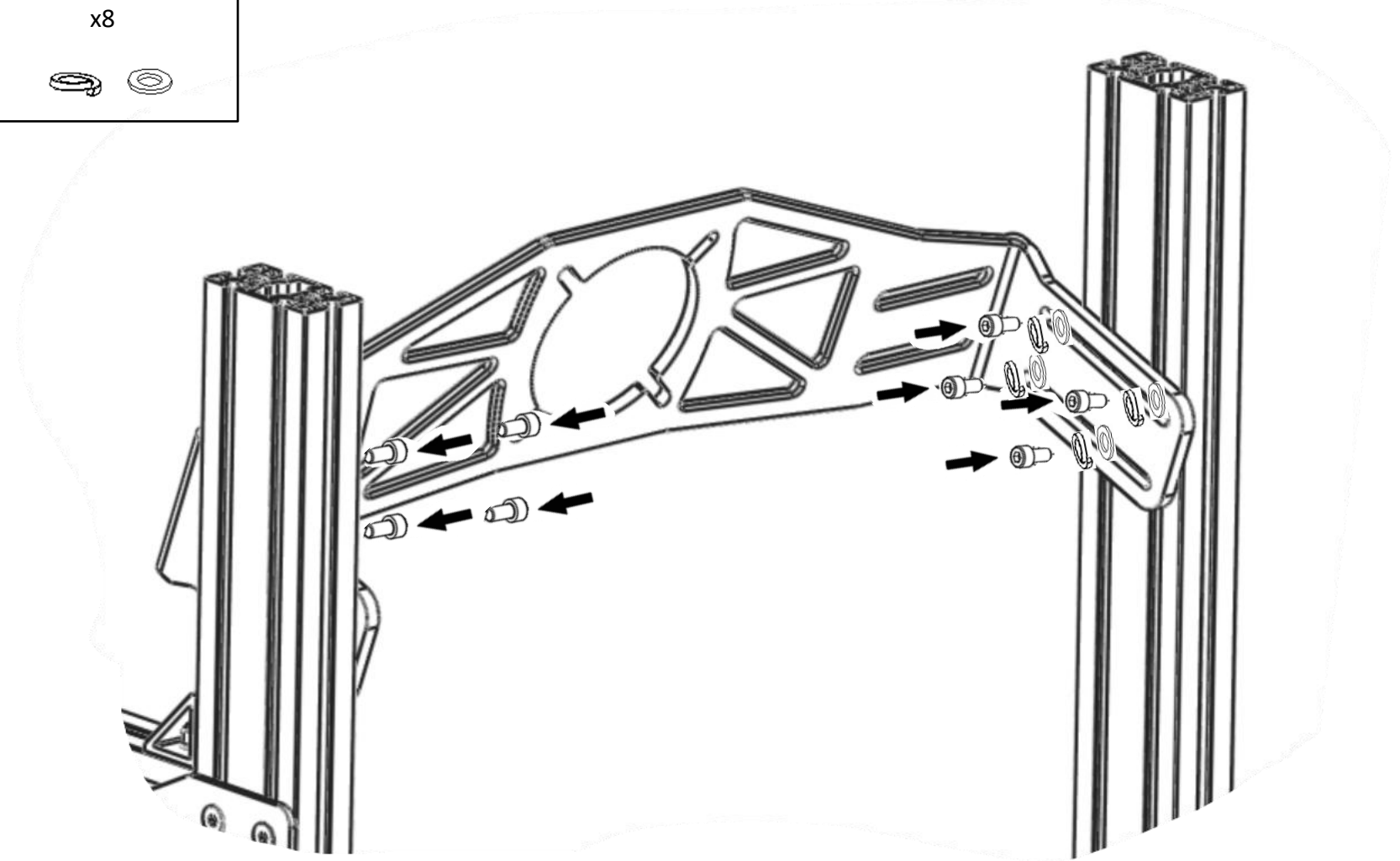
M8x16 x6	M8 Slider x6	Flat, Spring M8 x6
		

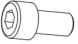

8

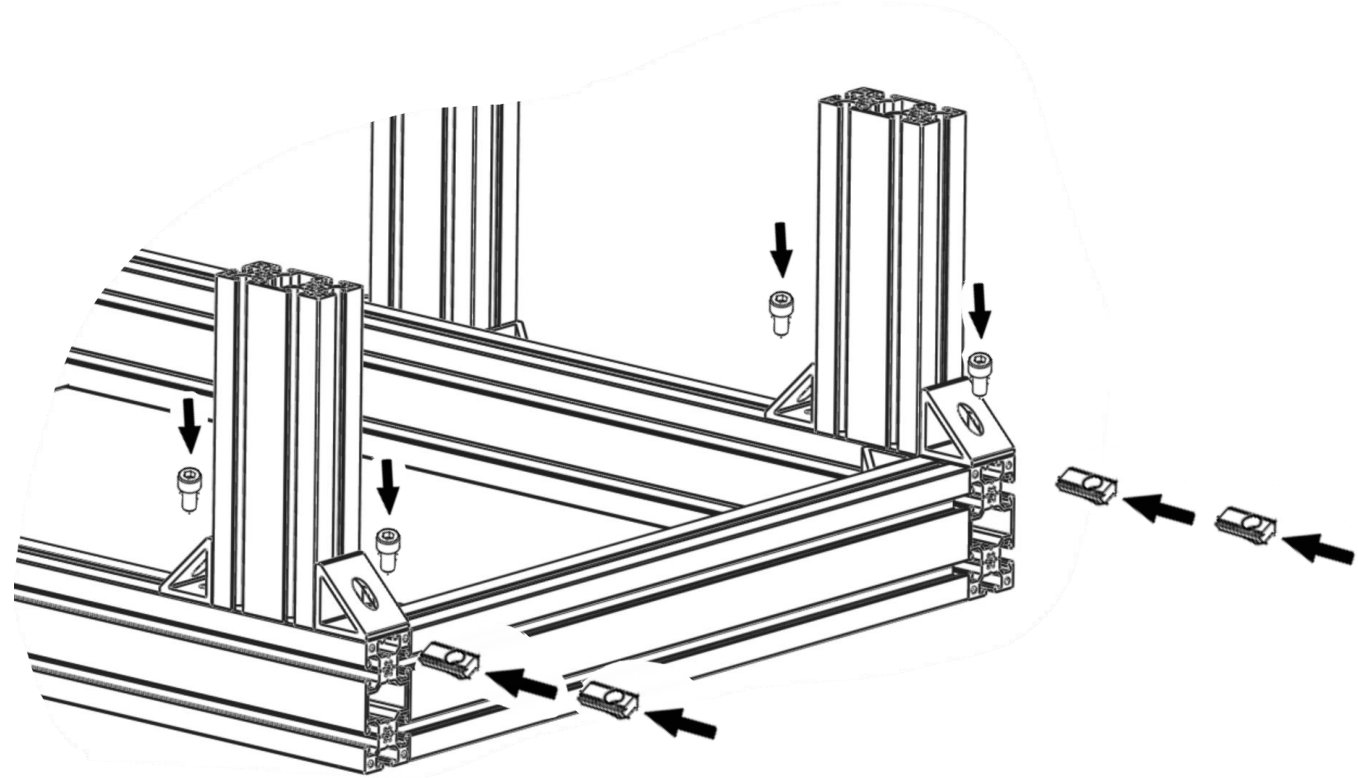
Handbrake Shifter
Bracket

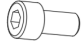

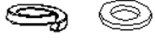


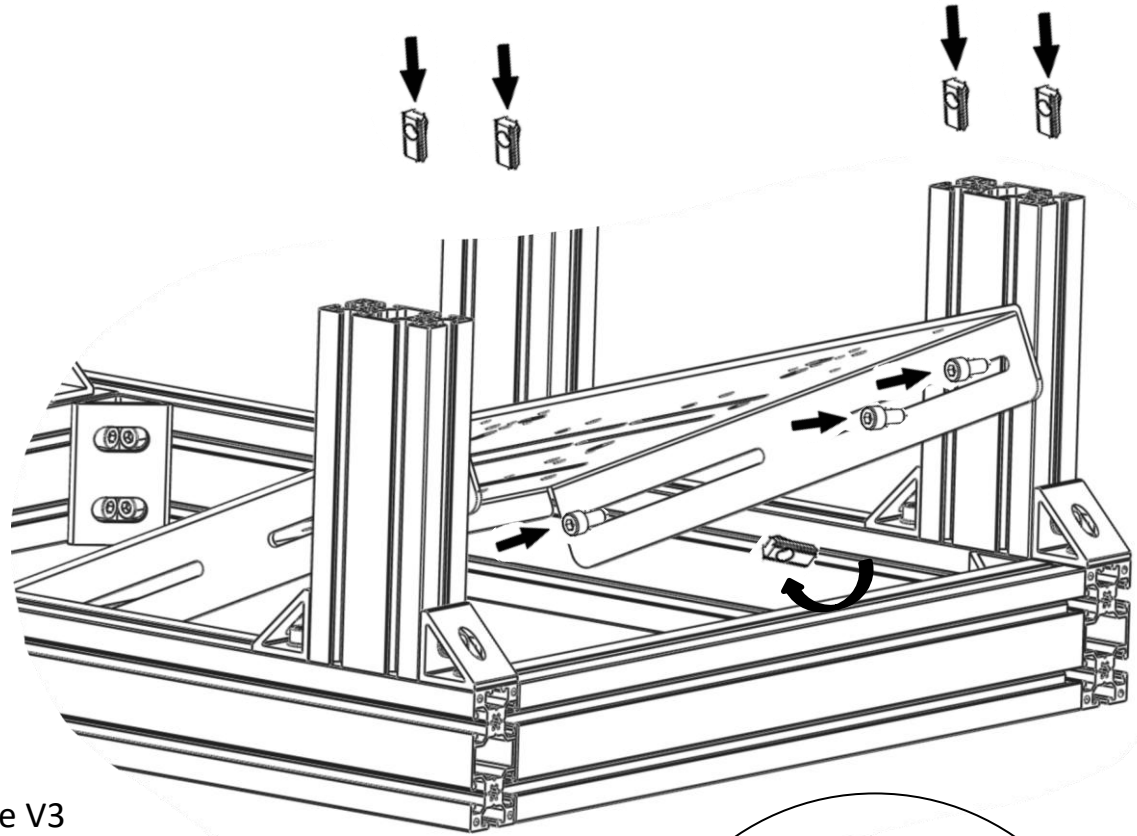
M8x20 x8	M8 Slider x8	Flat, Spring M8 x8
		



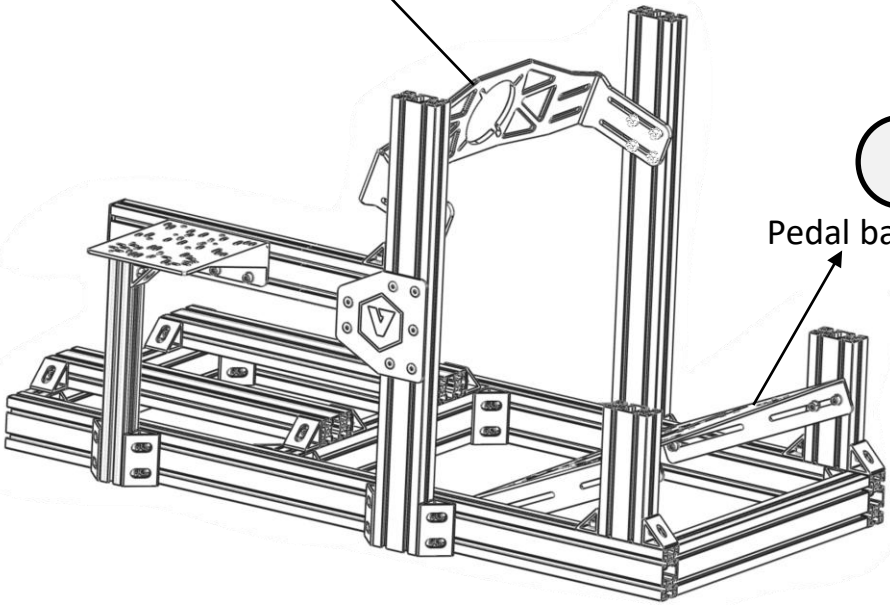
M8x16 x4	M8 Slider x4
	



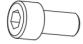

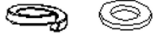
M8x16 x6	M8 Slider x6	Flat, Spring M8 x6
		

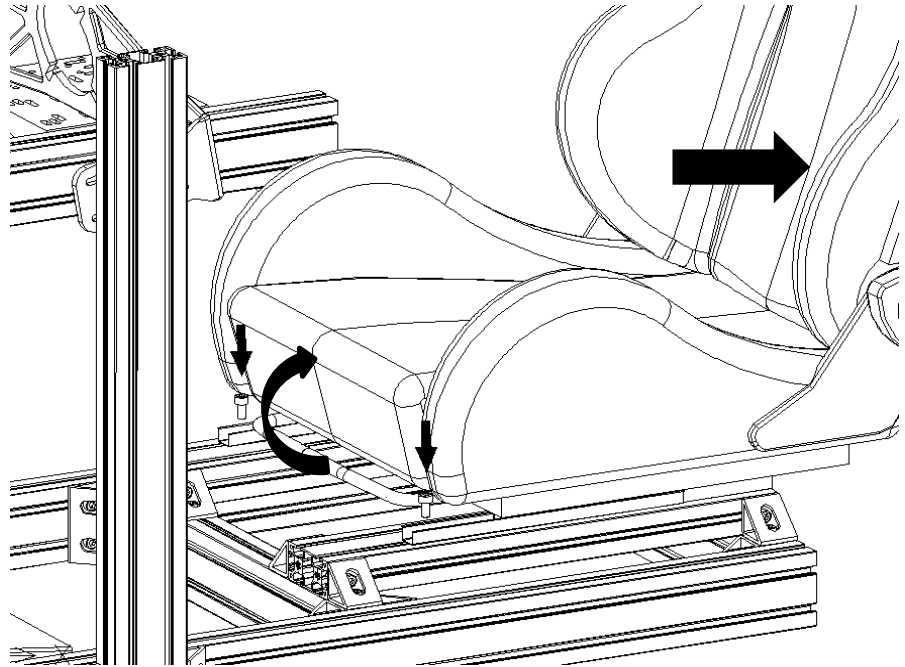
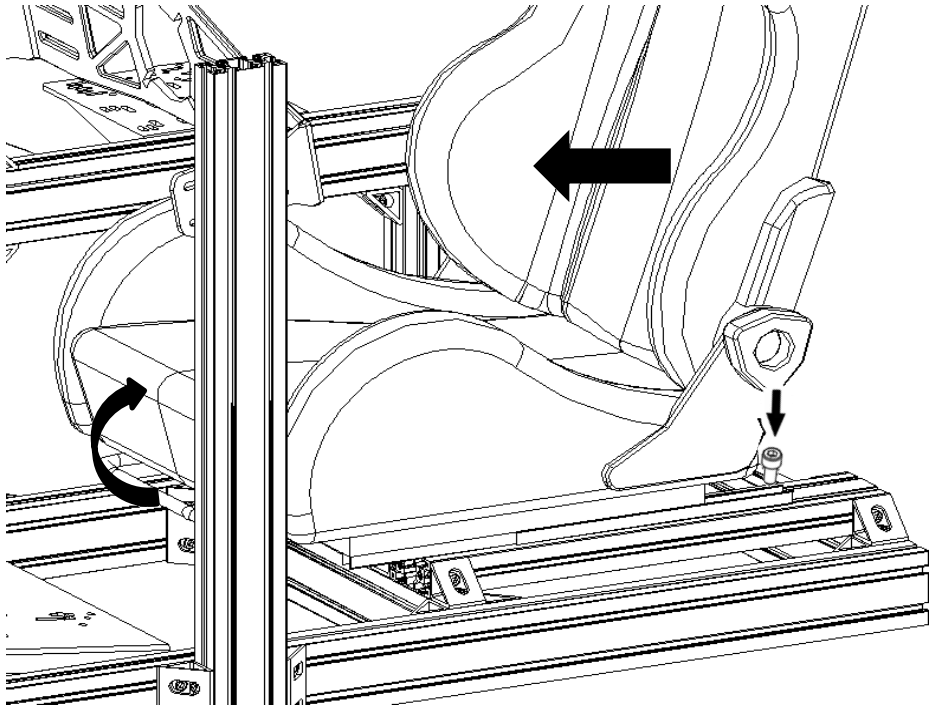
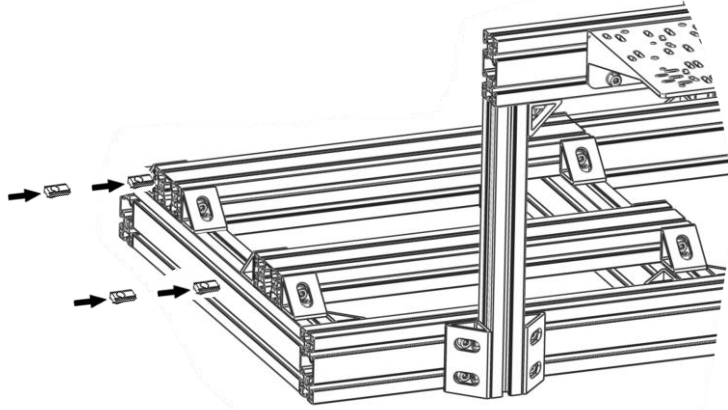





10
Wheel Base Mount
V1

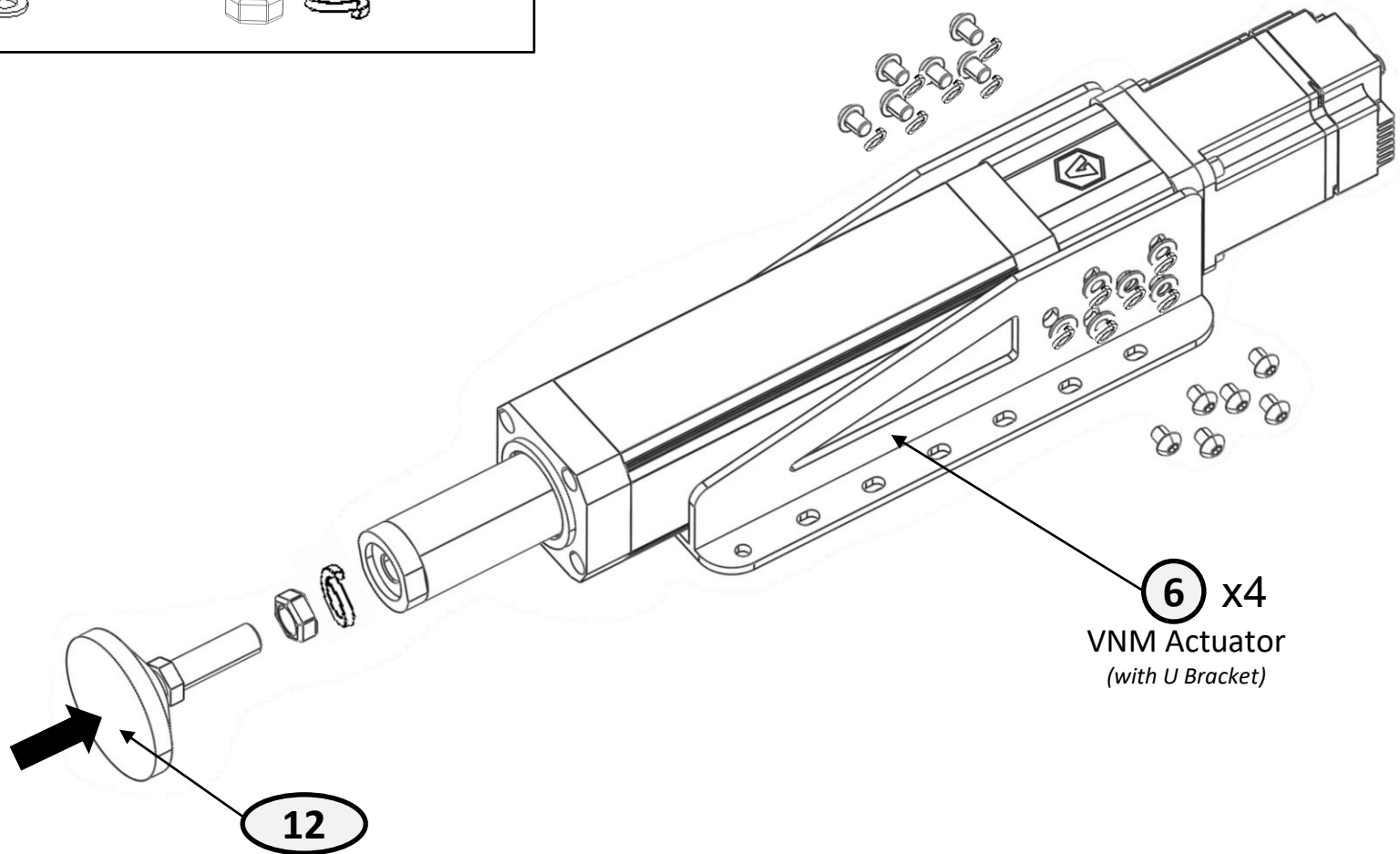


9
Pedal base plate V3

M8x16 x4	M8 Slider x4	Flat, Spring M8 x4
		



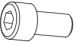

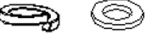
M8x16 x12	Flat, Spring M8 x12	M16 Nuts, Spring M16 x1
		

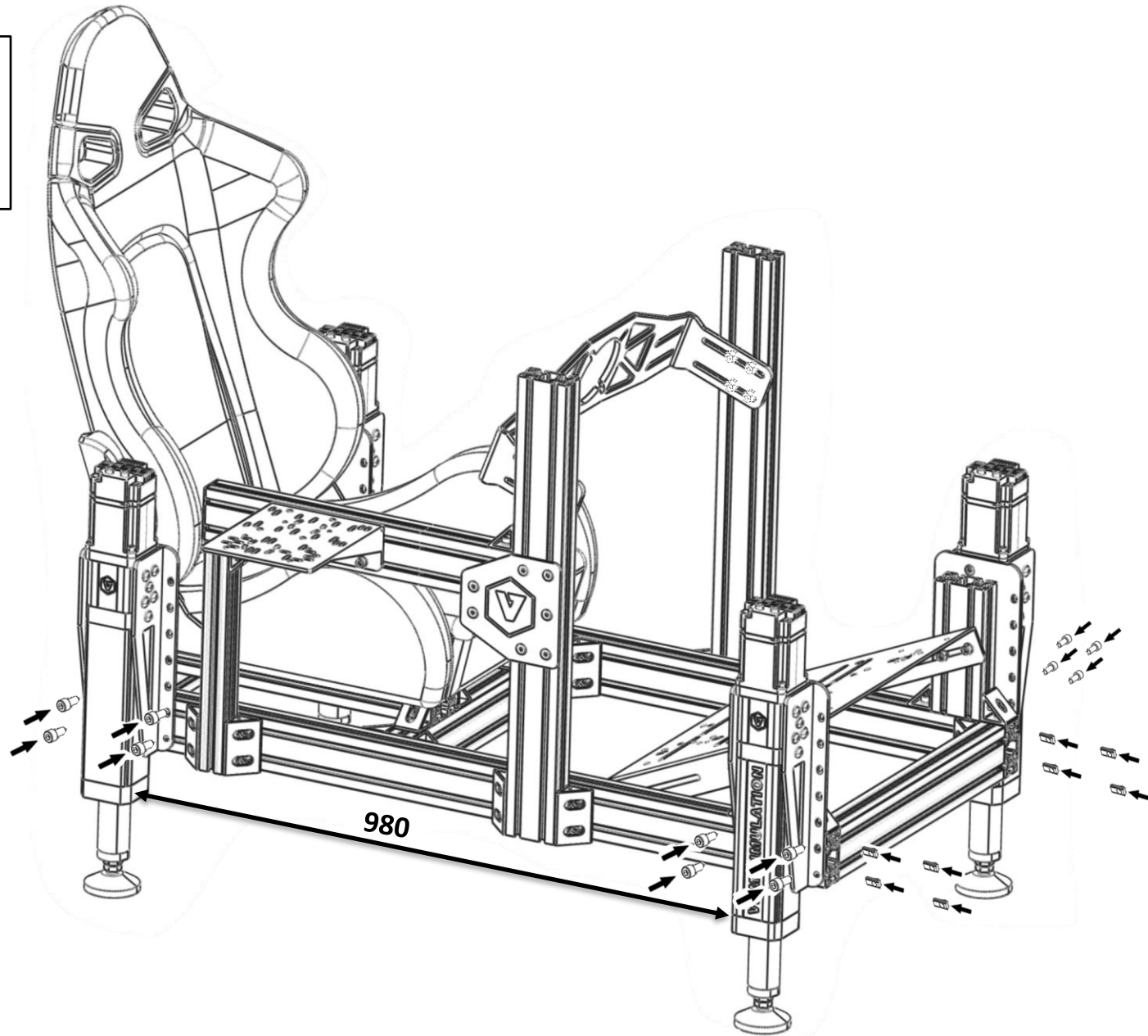


12

Feet Actuator

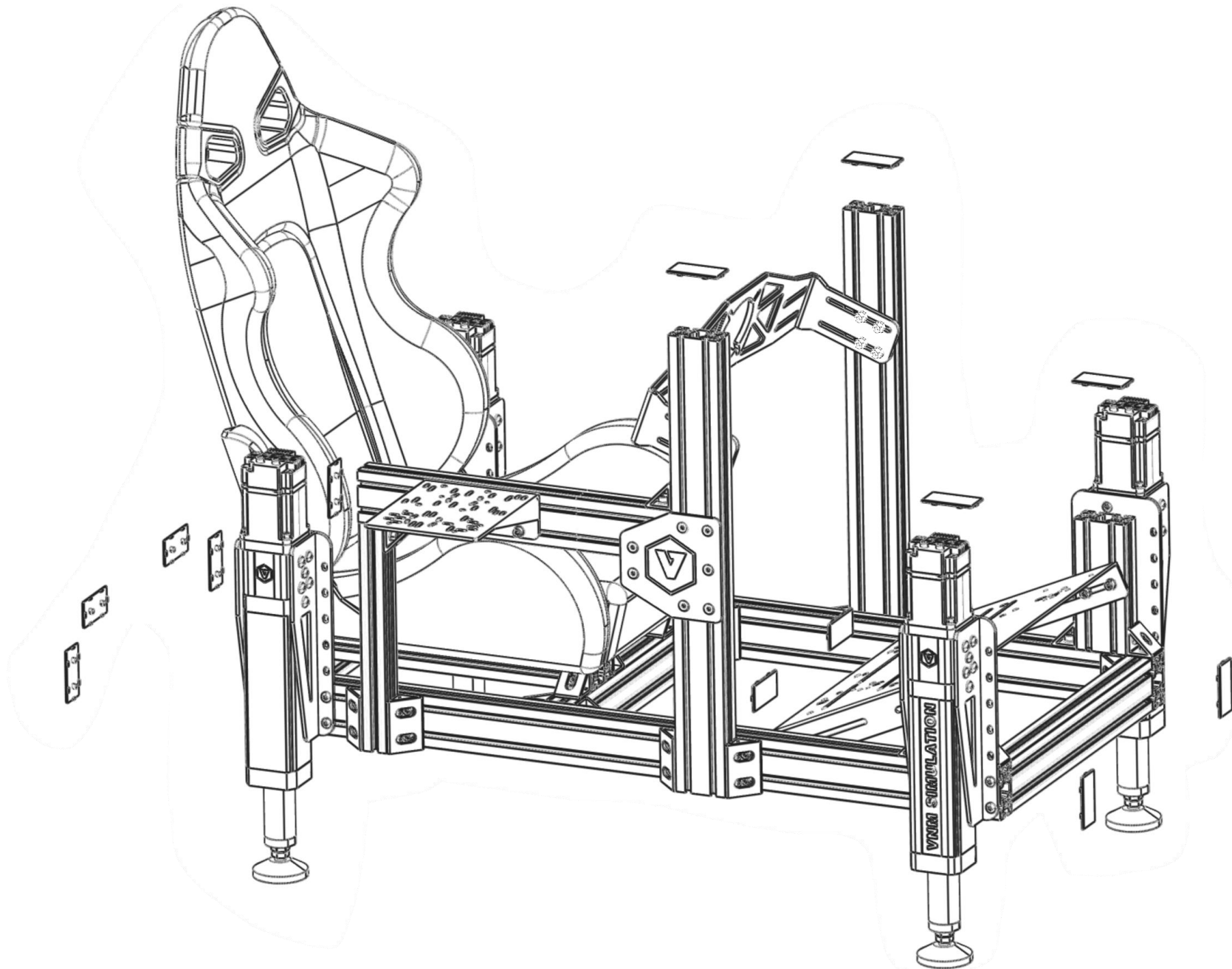
6 x4
VNM Actuator
(with U Bracket)

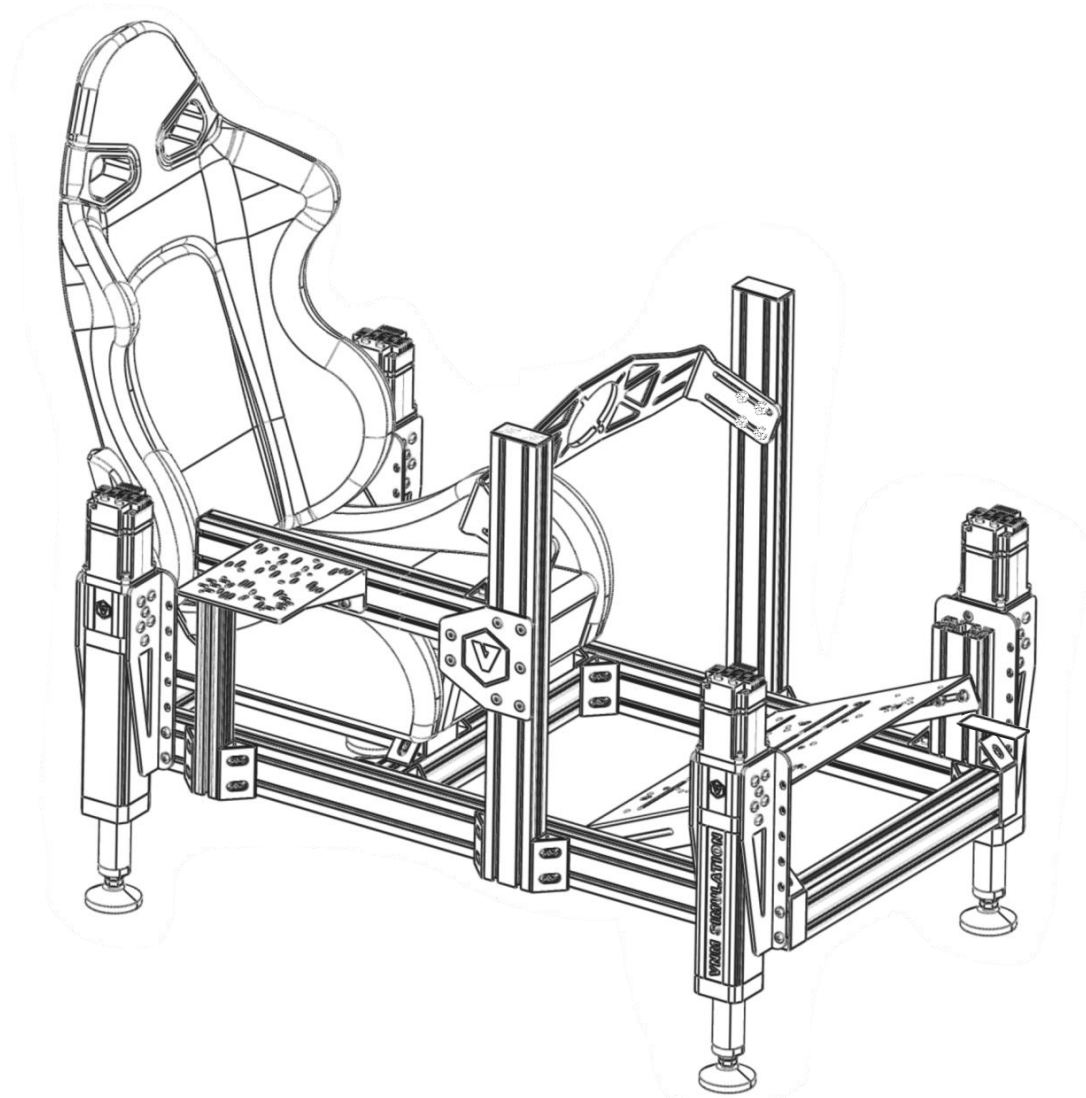
M8x16 x16	M8 Slider x16	Flat, Spring M8 x16
		



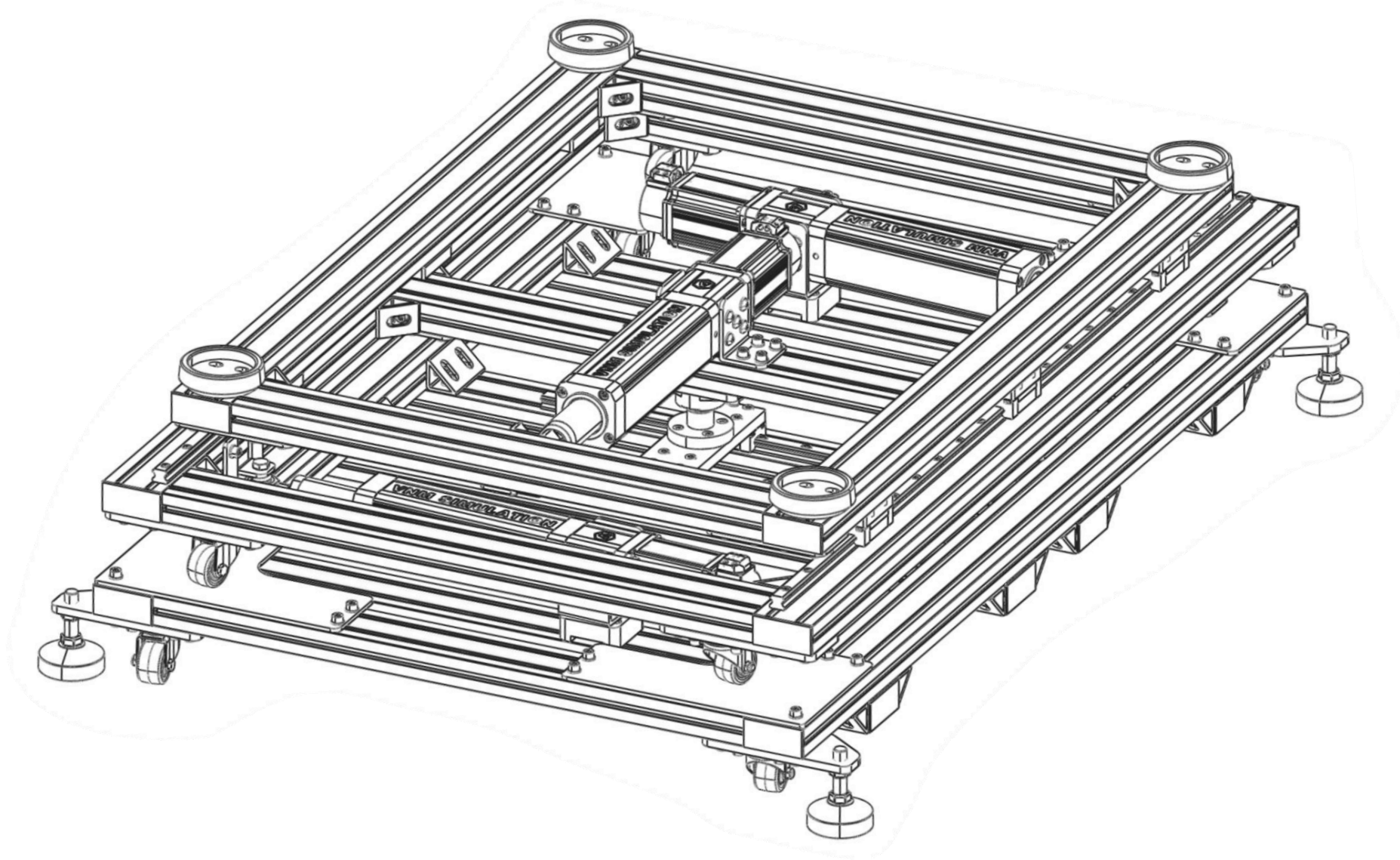
Tip: Use rigid blocks of suitable height to support the four corners of the rig for easier installation of the four VNM actuators.

Alu cover
x13

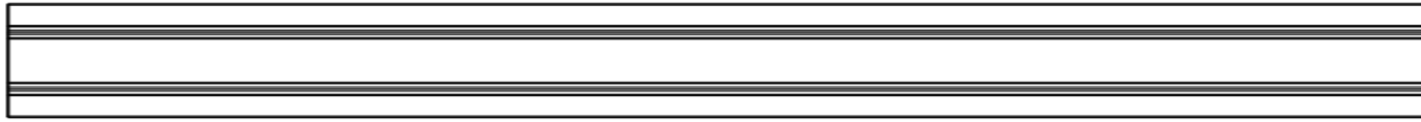




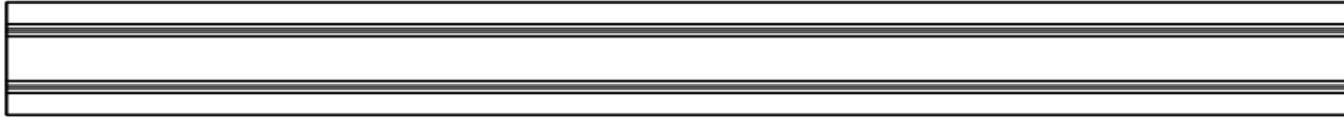
Installation guide
VNM Surge- Double TL Platform



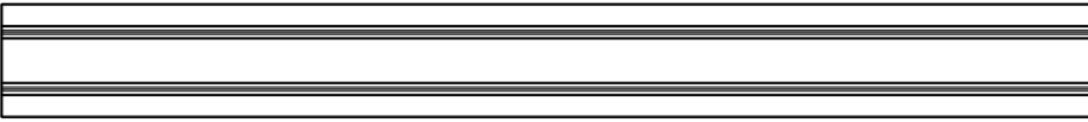
1 40x80x1400
x2



2 40x80x1340
x2



3 40x80x1140
x2



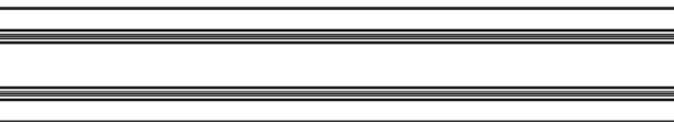
4 40x80x960
x4



5 40x80x800
x5

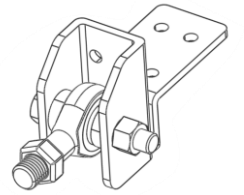


6 40x80x720
x2



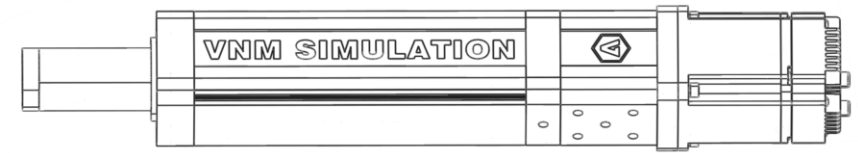
7

Actuator Surge
Bracket
x1



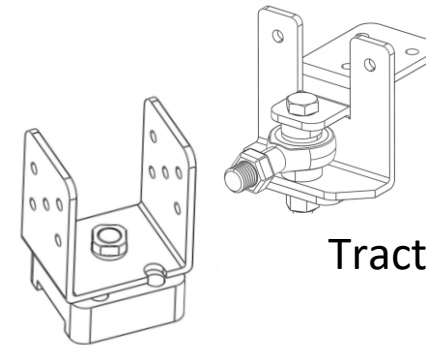
8

VNM Actuator 150mm
x3



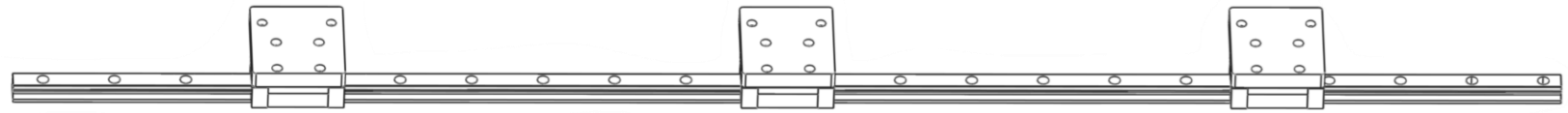
9

Actuator
Tractionloss Bracket
x2



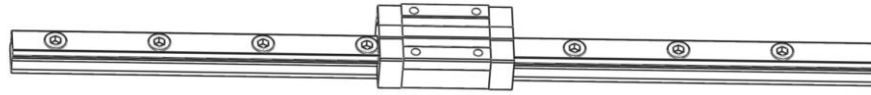
10

Linear Guide Rail Assembly
1300mm
x2



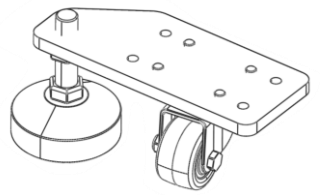
11

Linear Guide Rail Assembly
520mm
x2



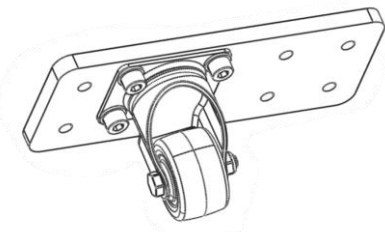
12

Foot Motion
x4



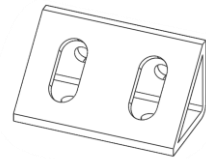
14

Low Gravity
x4



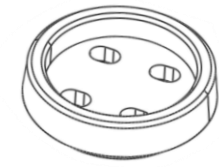
15

4080 Conner Alu
x16



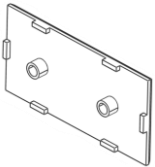
16

D100 Cup
x4



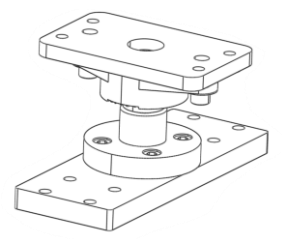
20

Alu Cover
x20



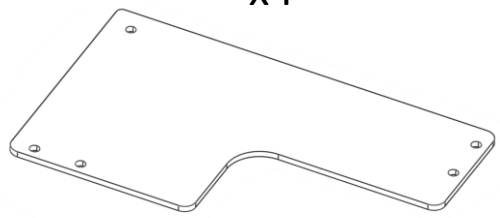
13

Spindle & UCFL204
x1



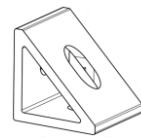
17

Wheel Support Bracket
x4



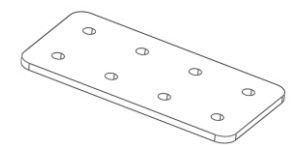
18

4040 Conner Alu
x16

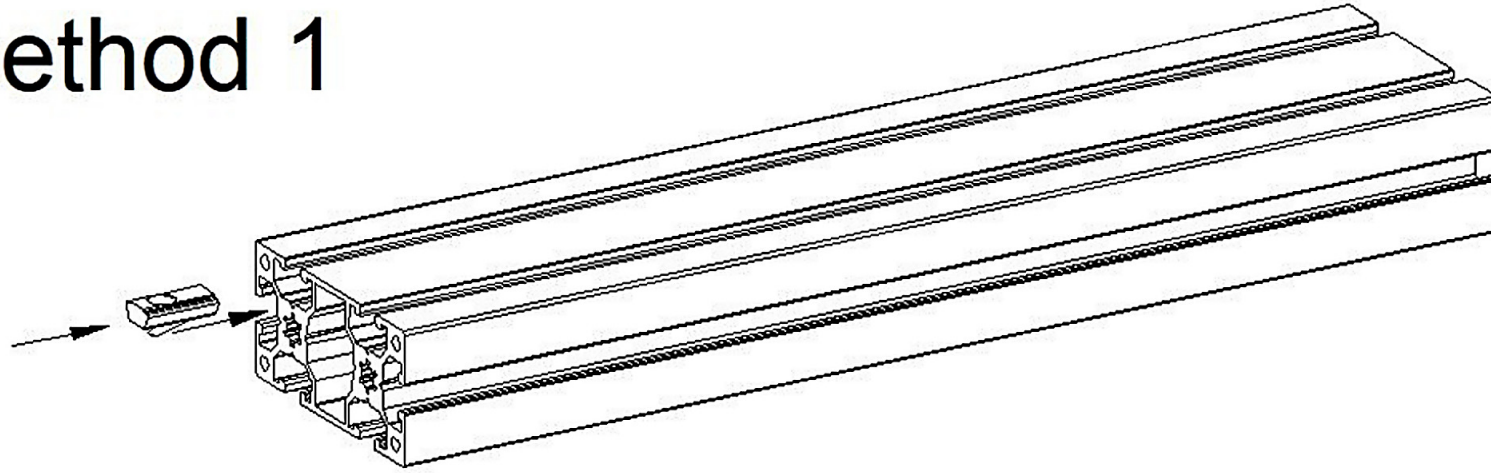


19

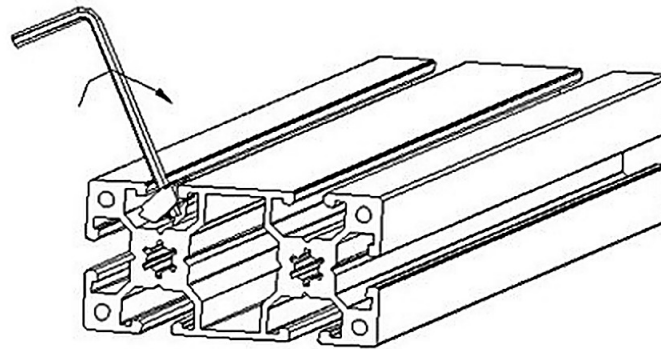
Connector Plate I
x6

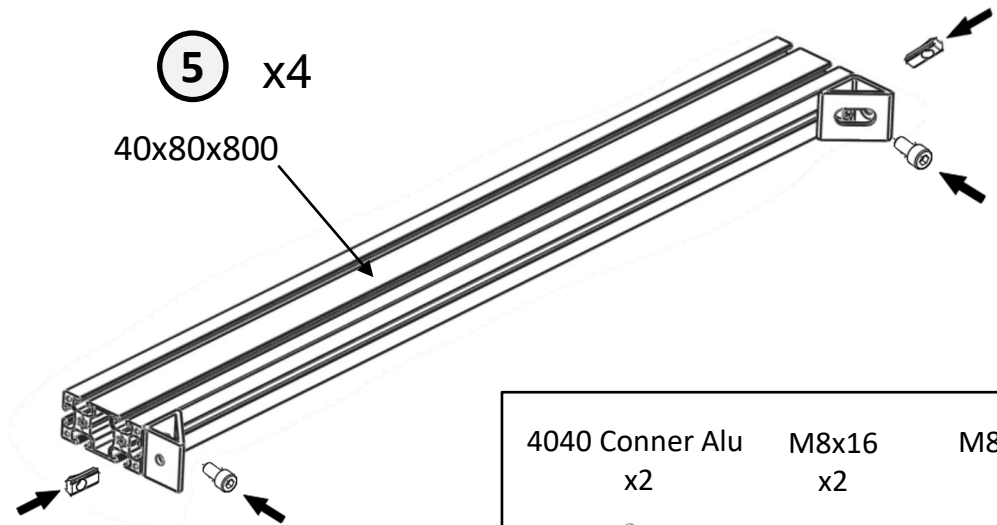


Method 1




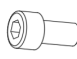

Method 2

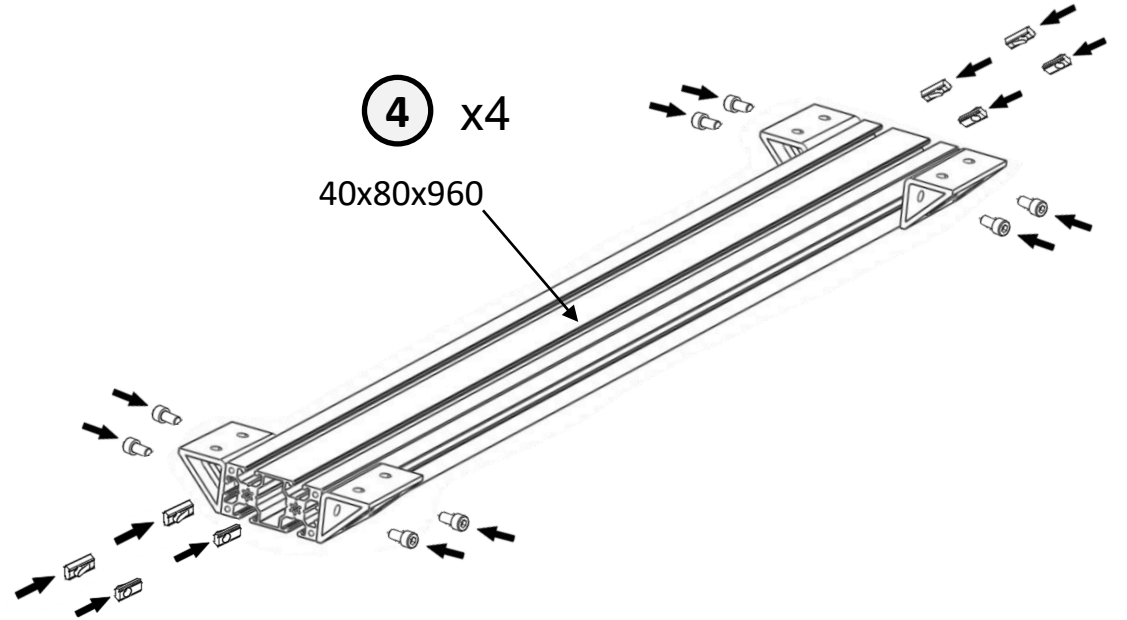




⑤ x4


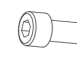

40x80x800

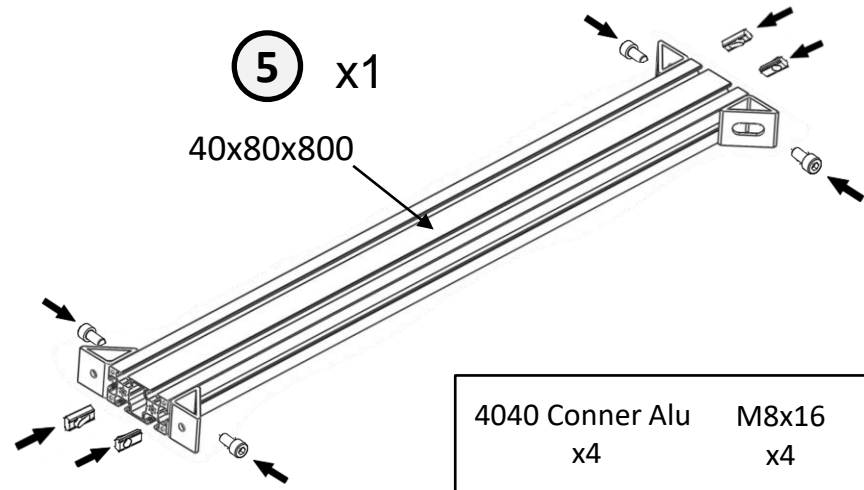
4040 Conner Alu x2	M8x16 x2	M8 Slider x2
		



④ x4


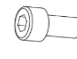

40x80x960

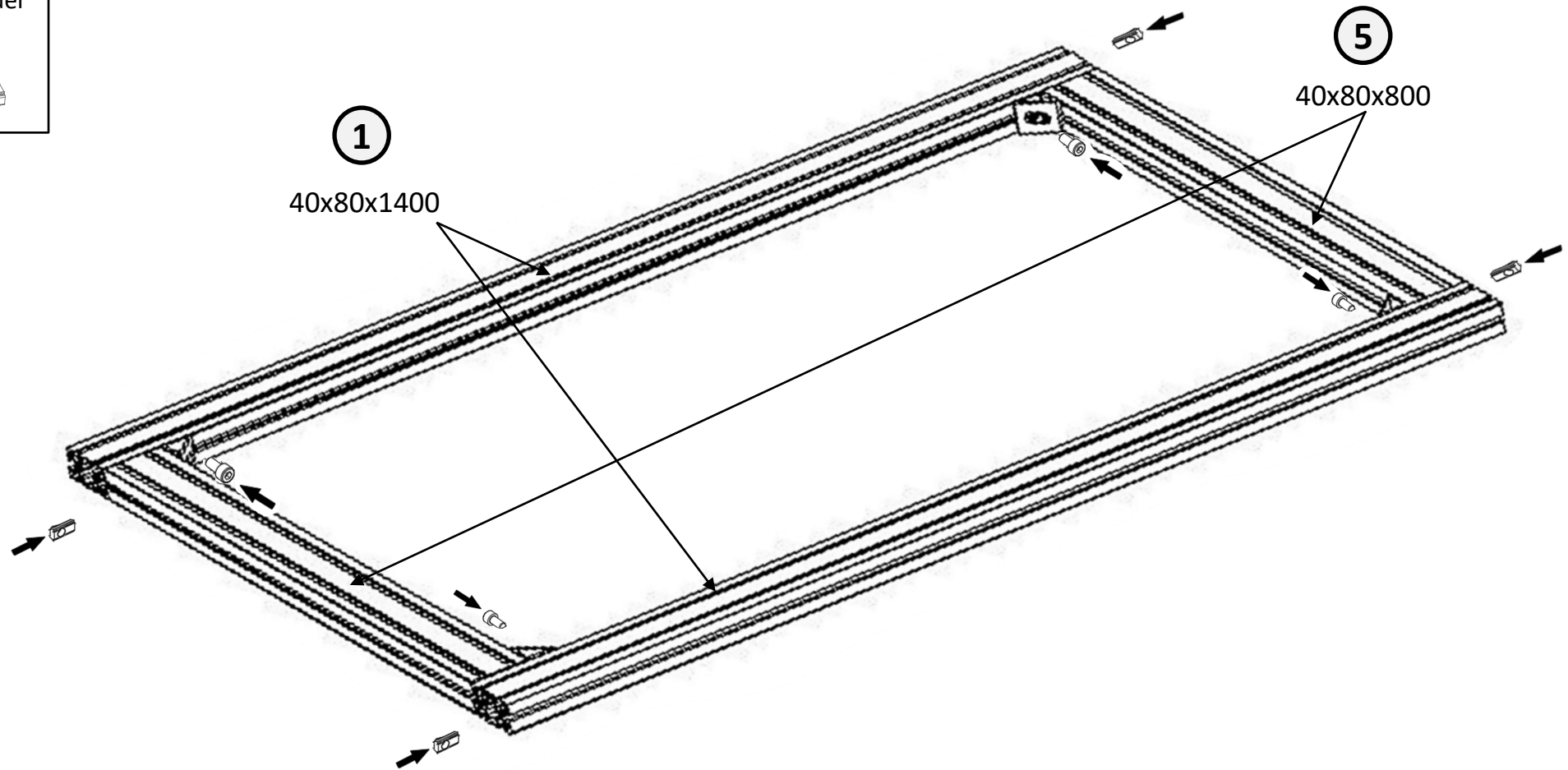
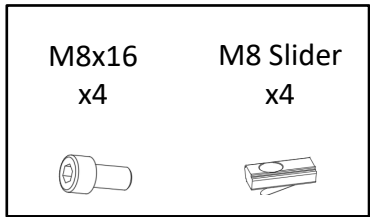
4080 Conner Alu x4	M8x16 x8	M8 Slider x8
		

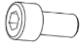



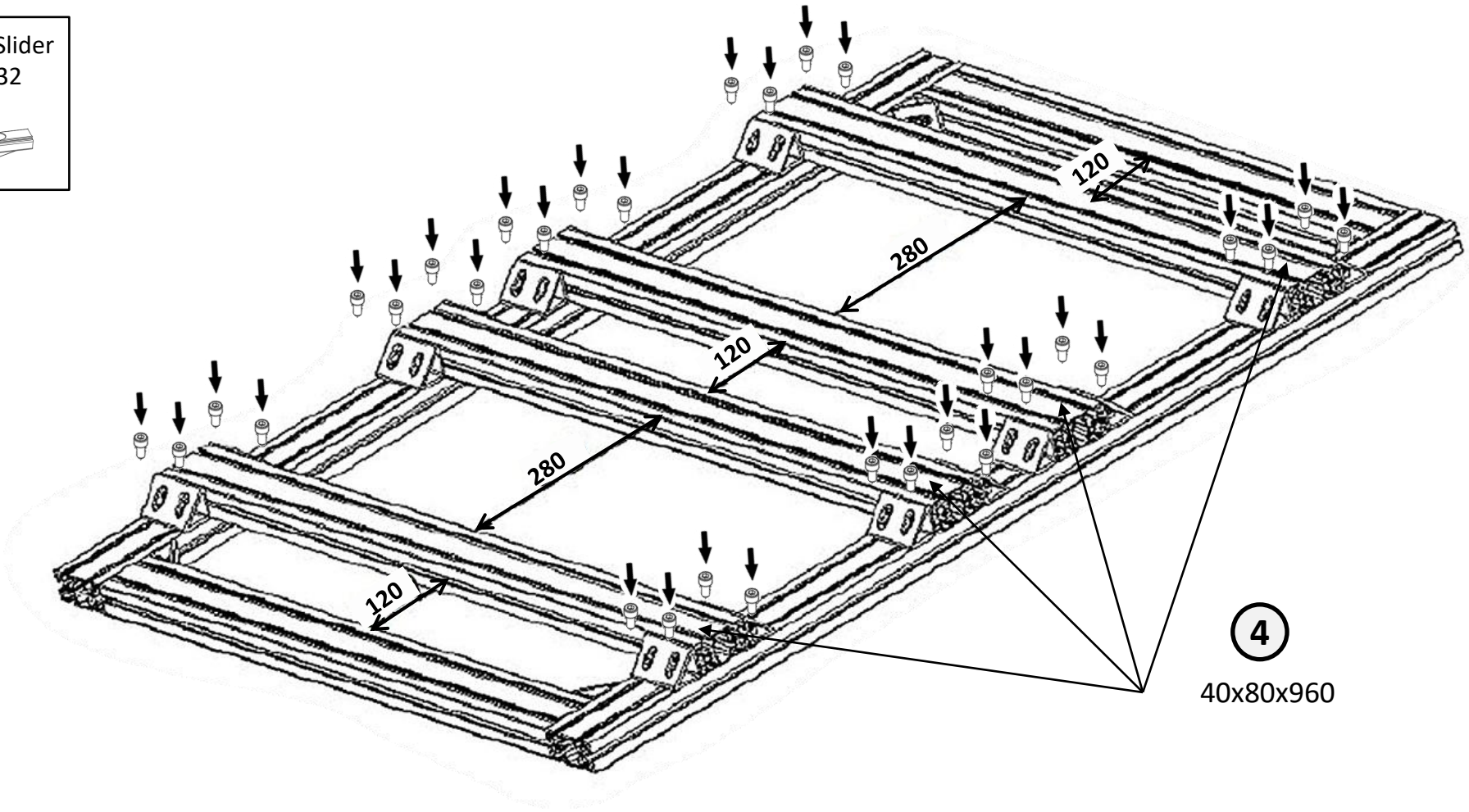
⑤ x1

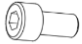



40x80x800

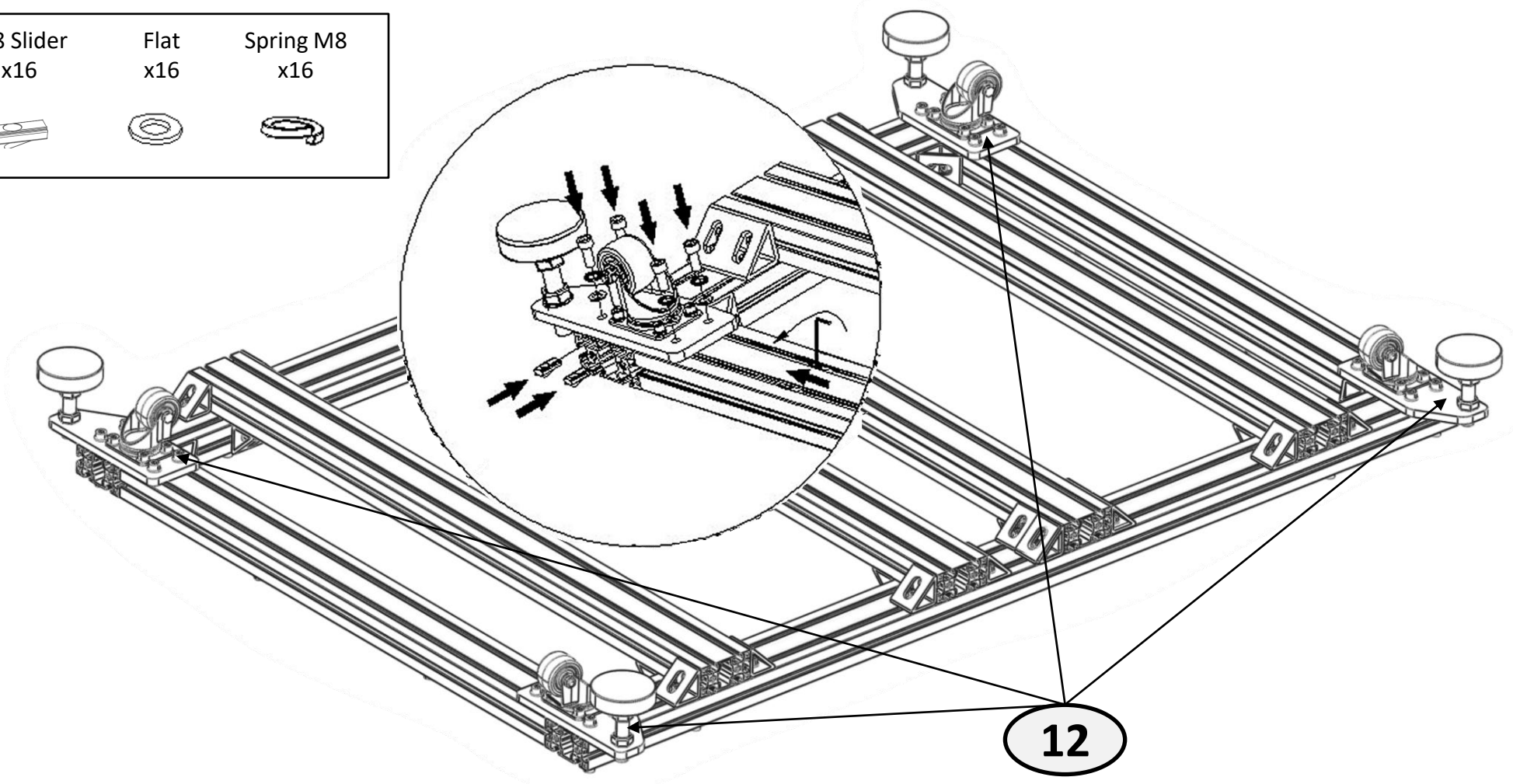
4040 Conner Alu x4	M8x16 x4	M8 Slider x4
		



M8x16 x32	M8 Slider x32
	

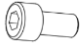





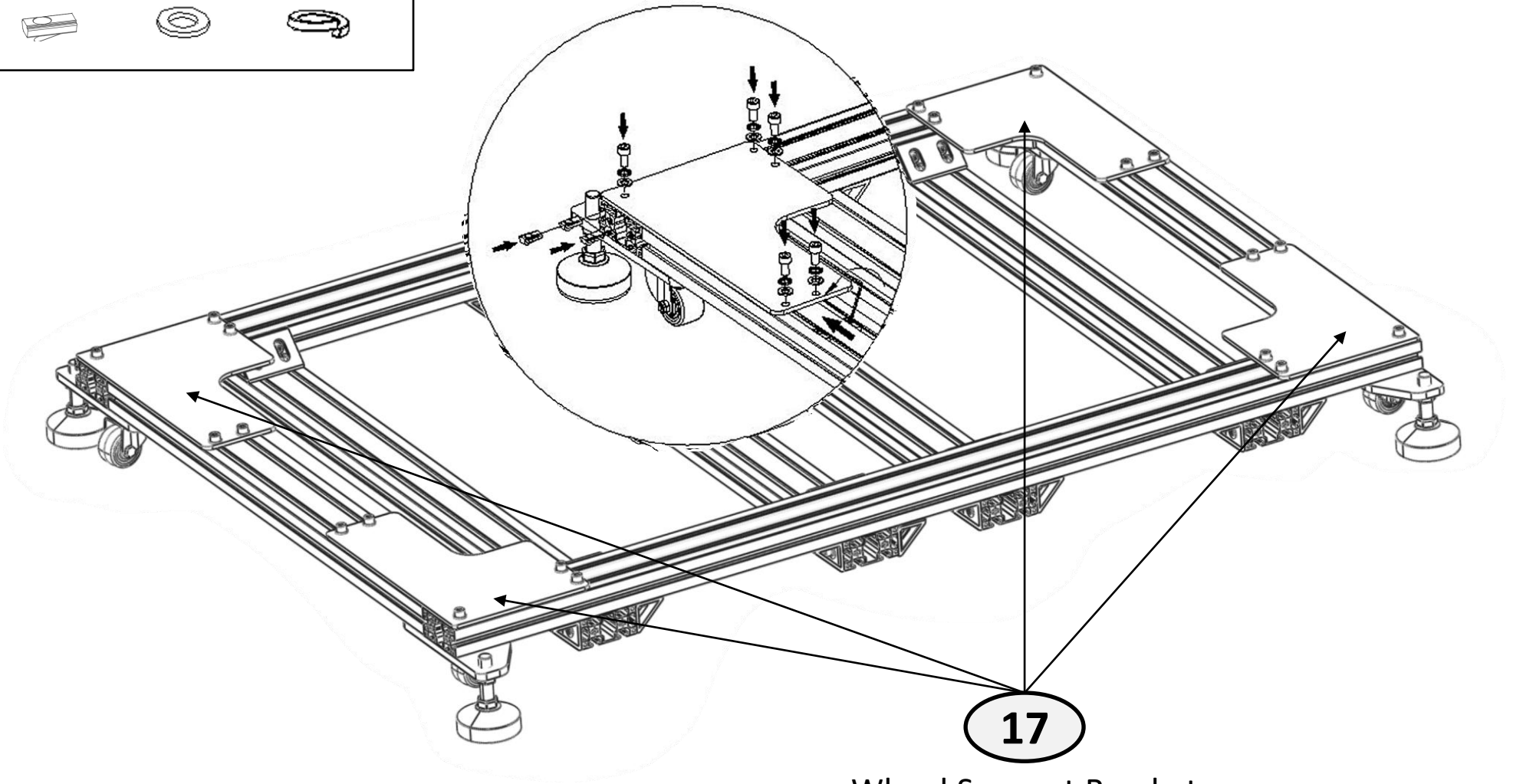
M8x20 x16	M8 Slider x16	Flat x16	Spring M8 x16
			



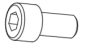

12

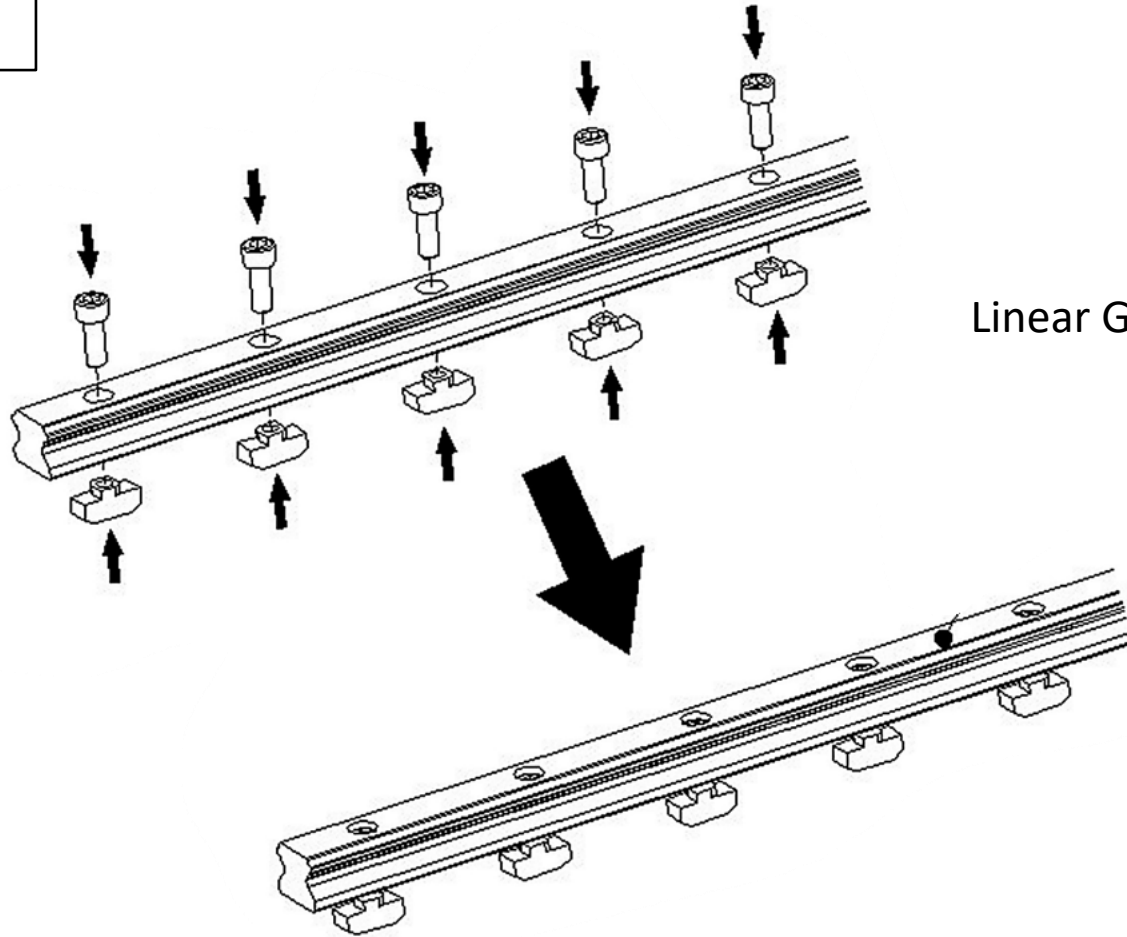
Foot Motion

M8x16 x20	M8 Slider x20	Flat x20	Spring M8 x20
			



17
Wheel Support Bracket

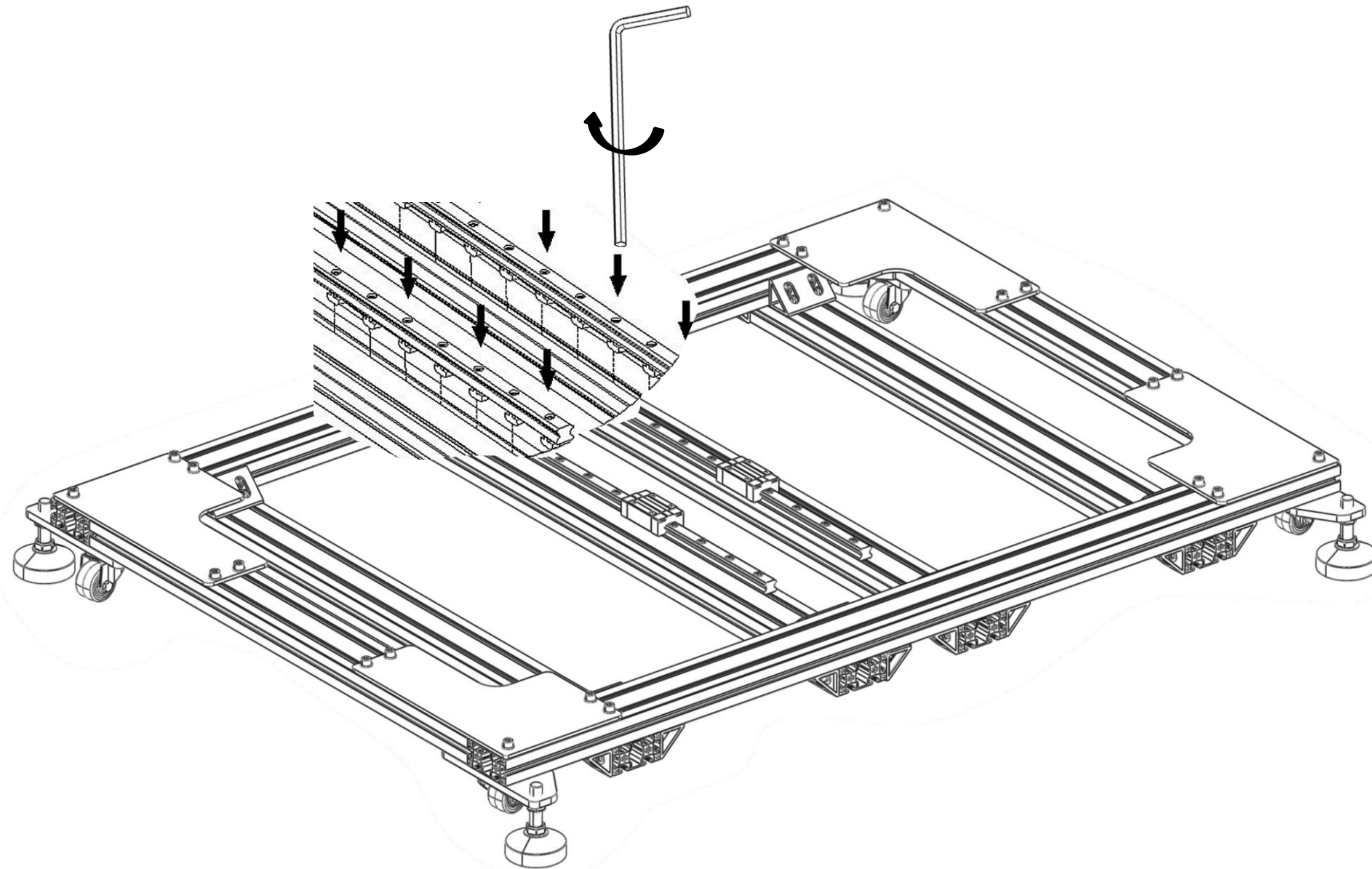
M6x16 x9	T Nut M6 x9
	

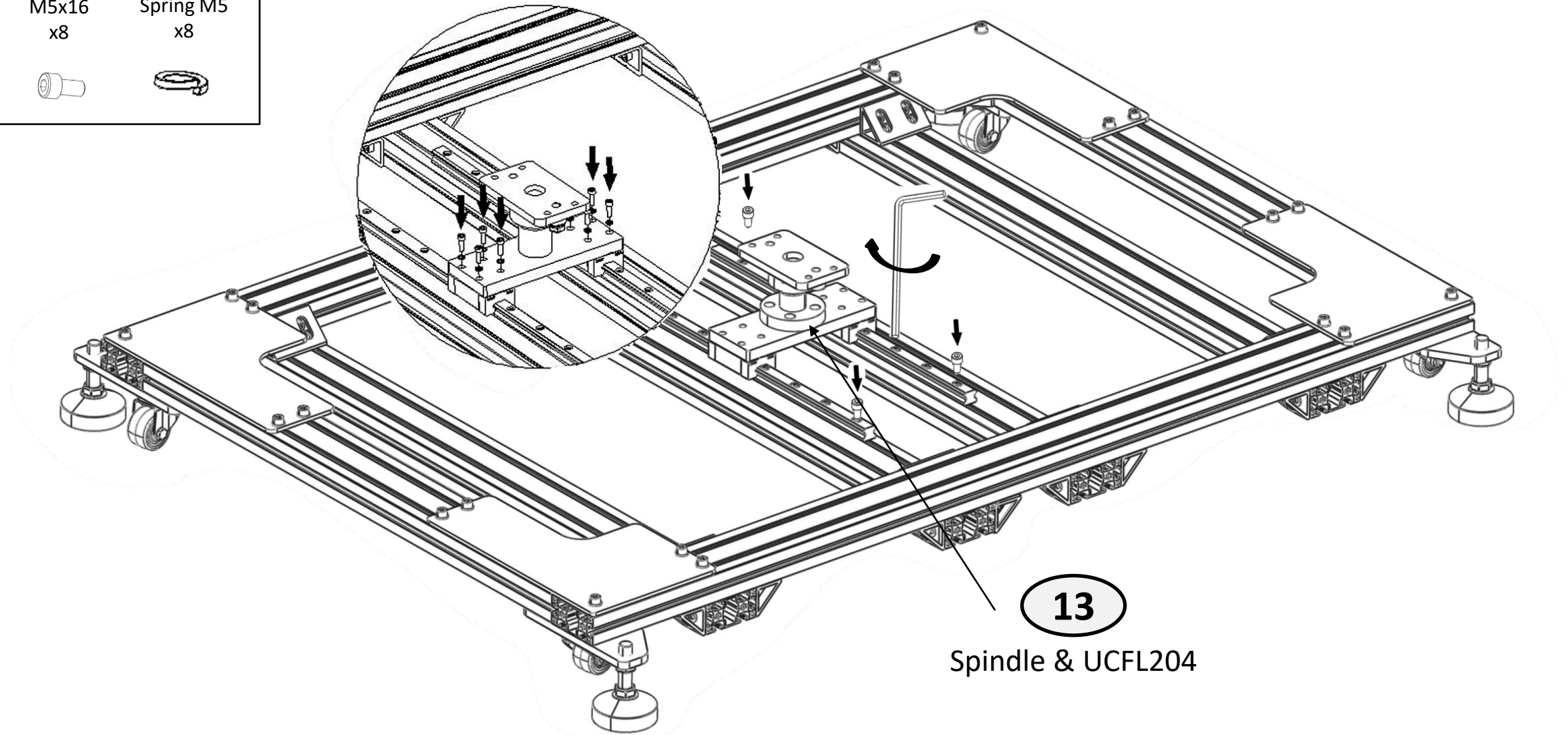
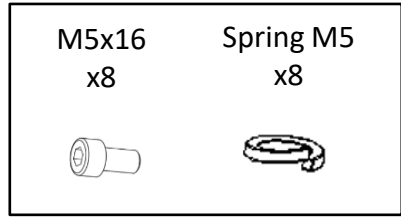


11

Linear Guide Rail Assembly
520mm

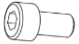


Do not fully tighten the screws at this step

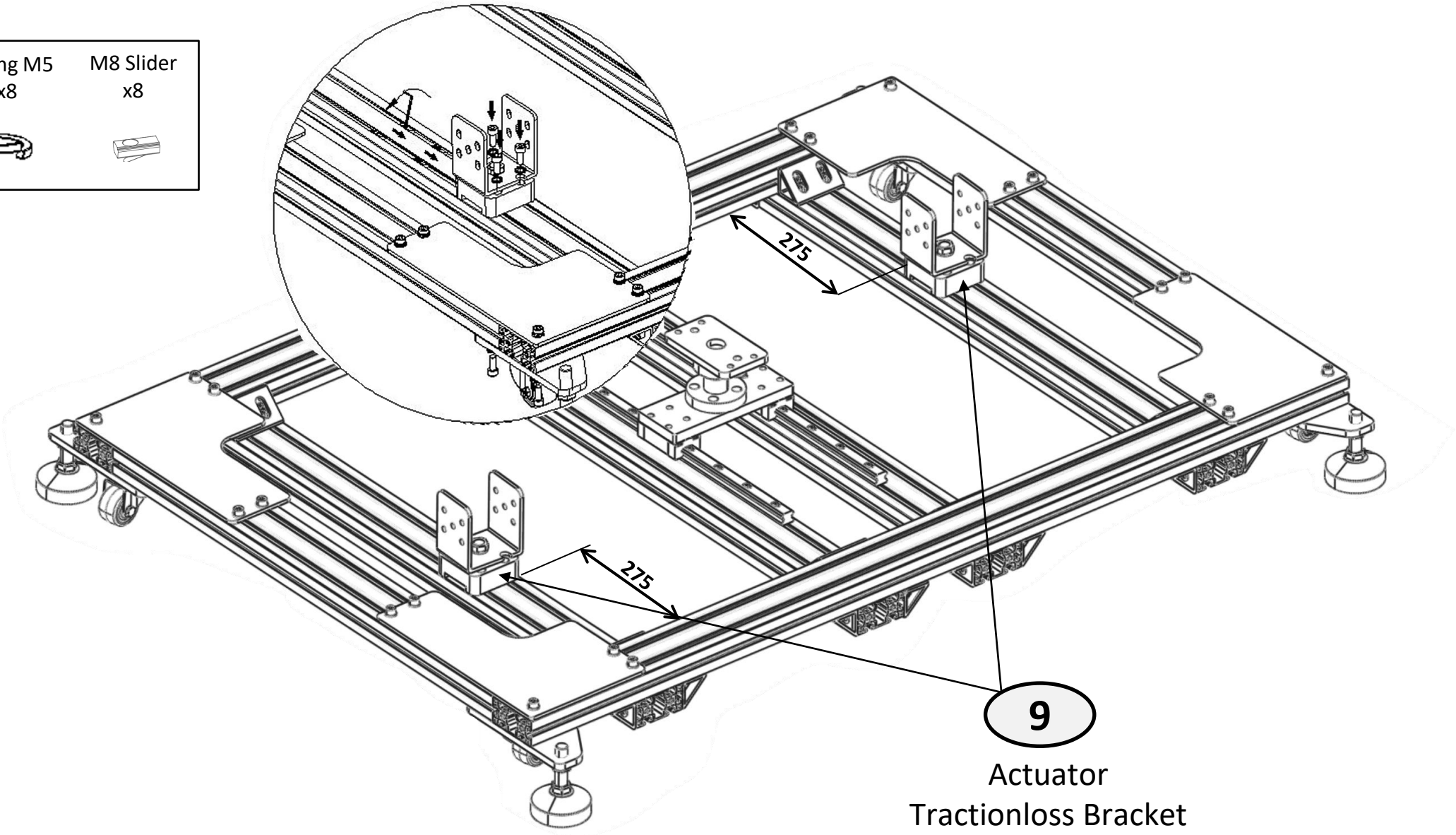




13

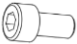

Spindle & UCFL204

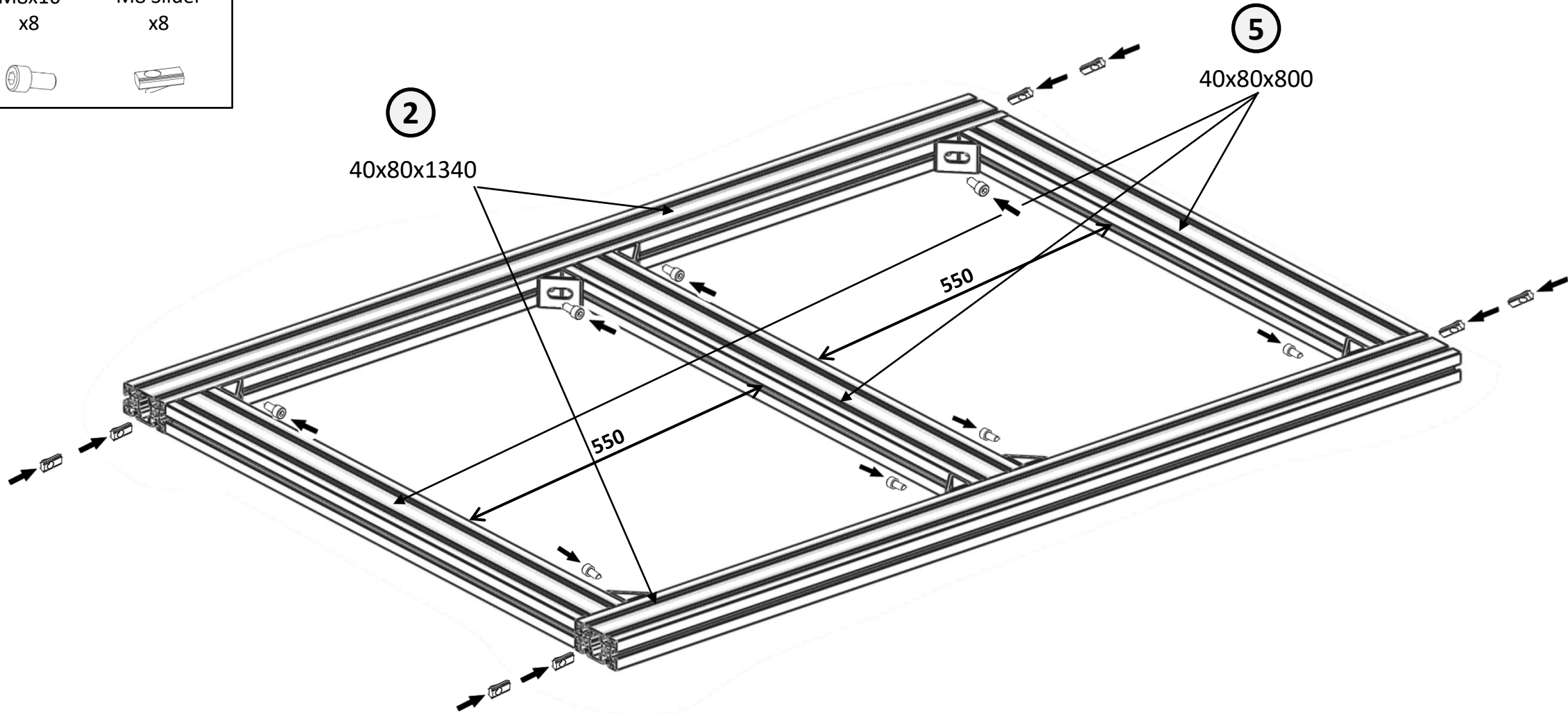
M5x20 x8	Spring M5 x8	M8 Slider x8
		

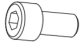





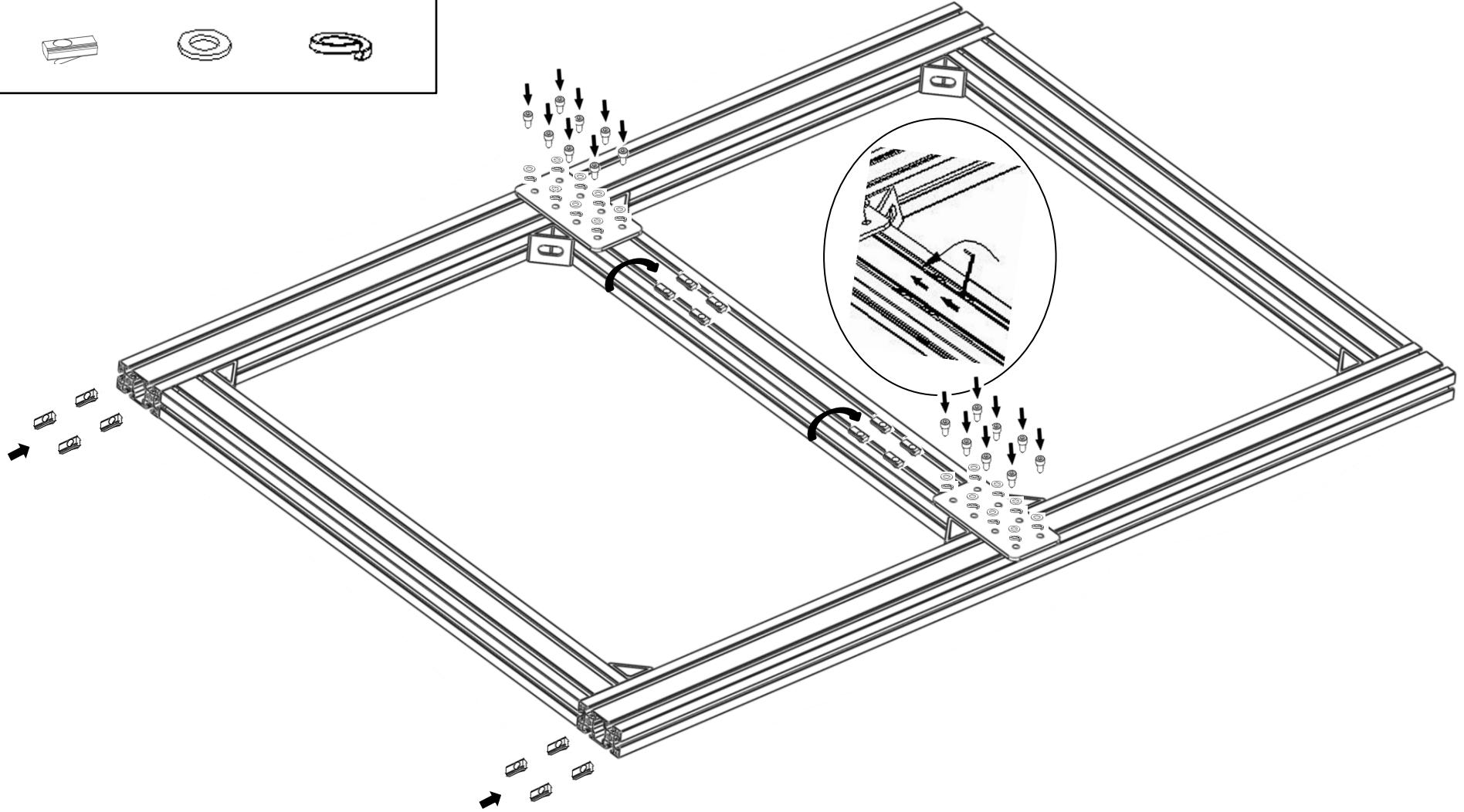
9

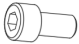
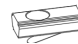


Actuator
Tractionloss Bracket

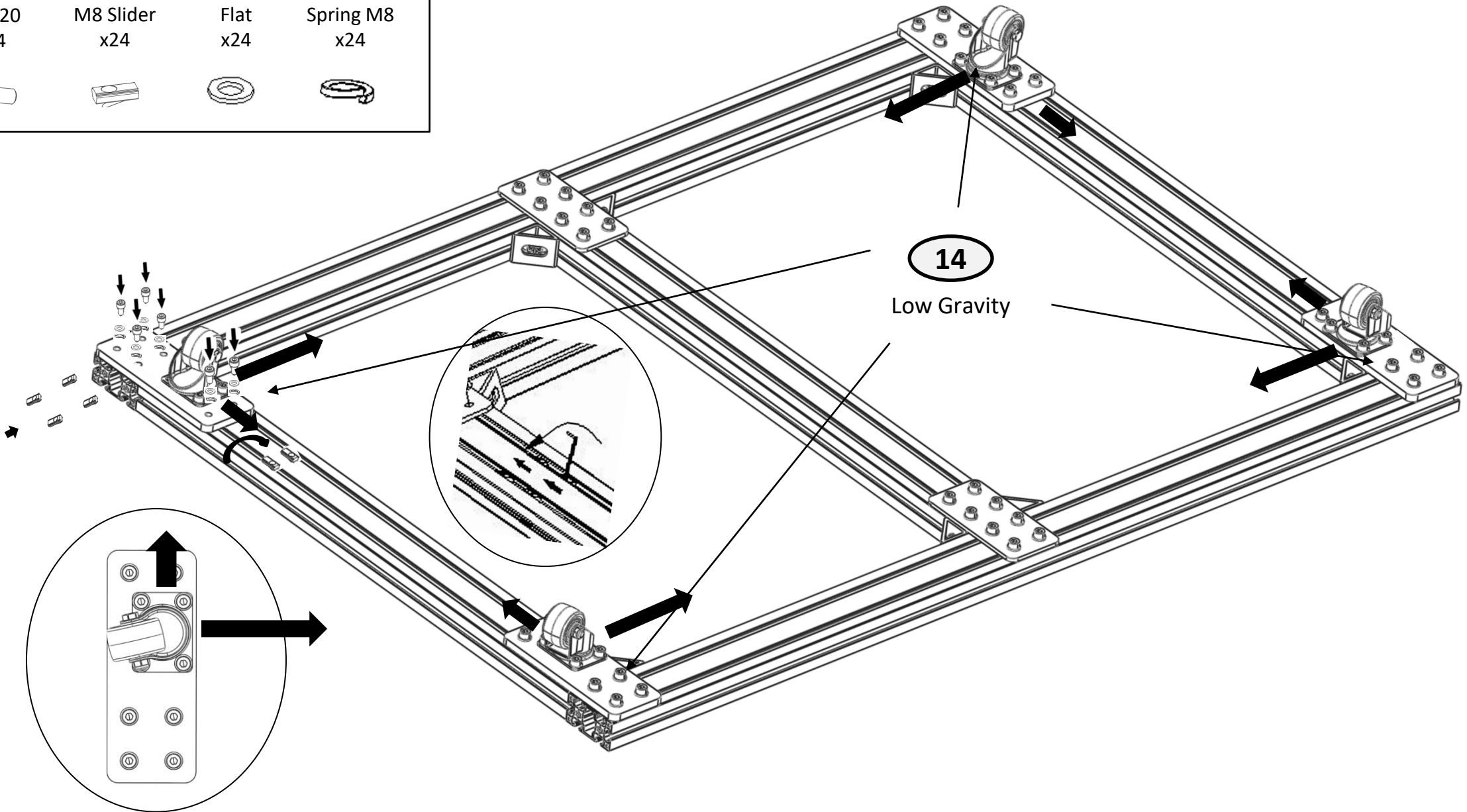
M8x16 x8	M8 Slider x8
	

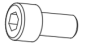



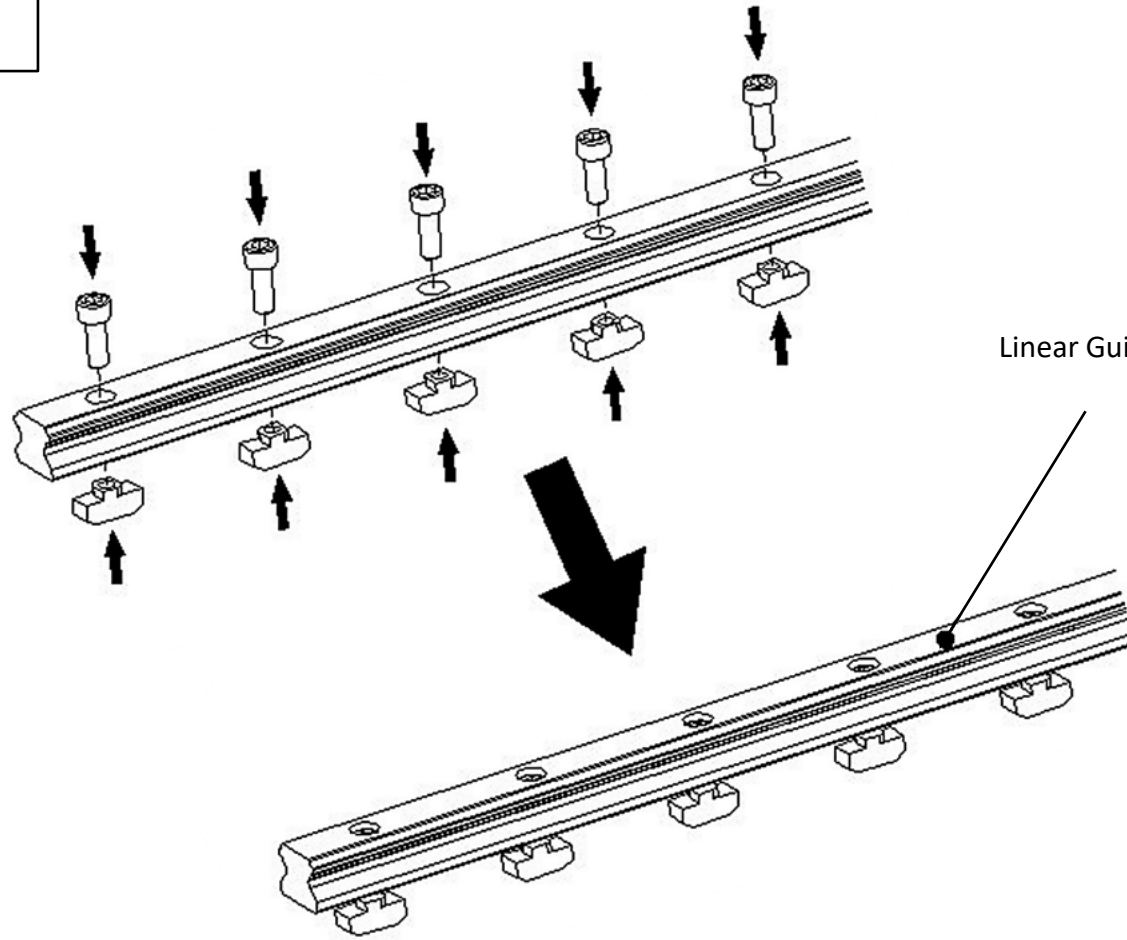
M8x16 x16	M8 Slider x16	Flat x16	Spring M8 x16
			



M8x20 x24	M8 Slider x24	Flat x24	Spring M8 x24
			

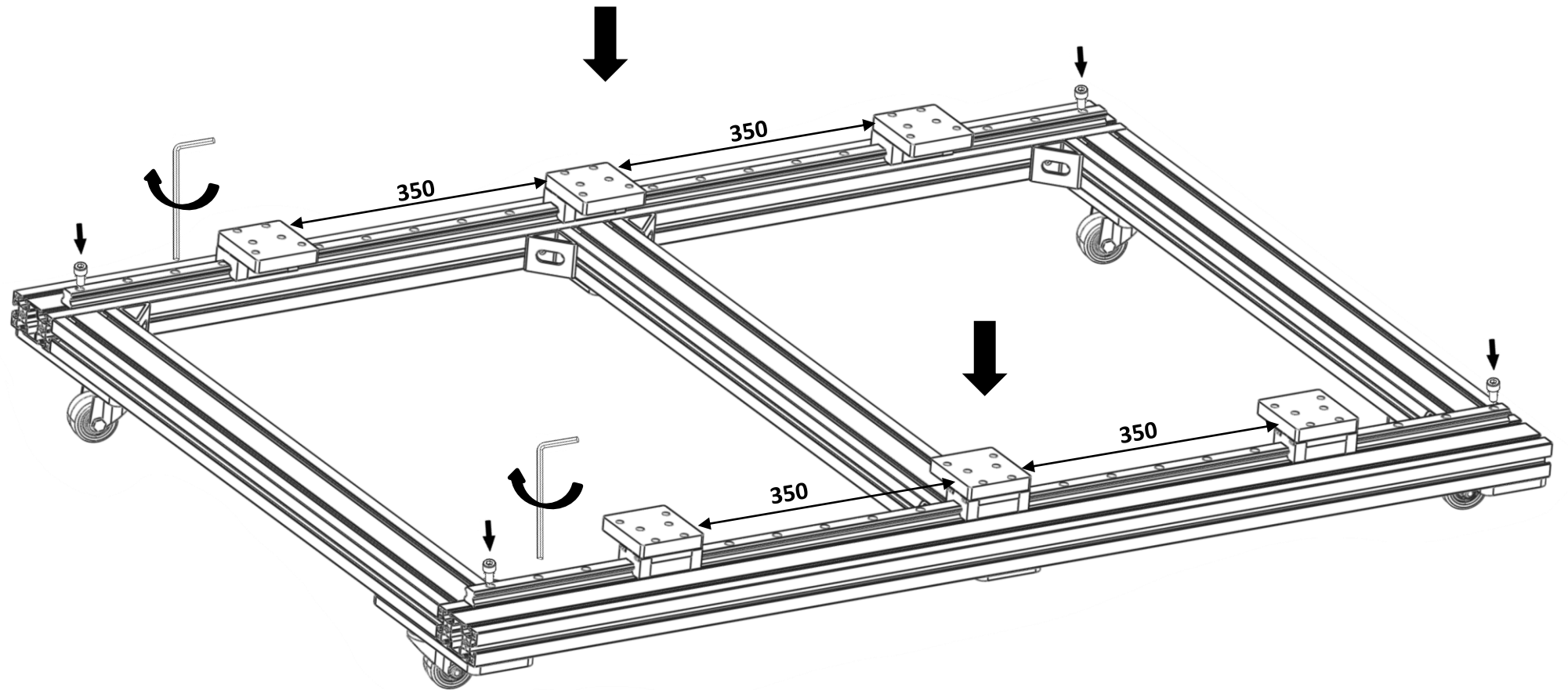


M6x16 x22	T Nut M6 x22
	

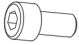





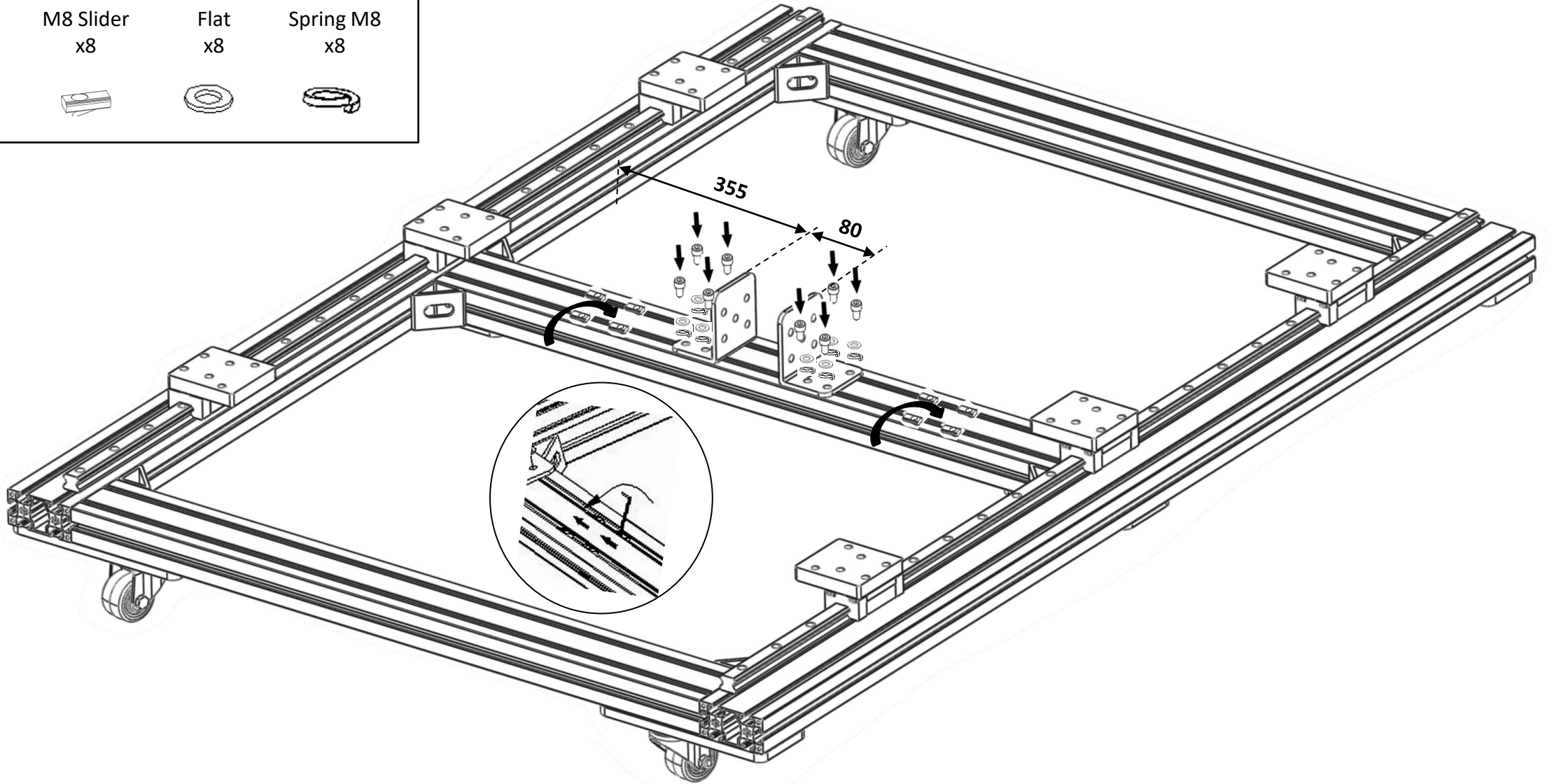
10

Linear Guide Rail Assembly 1300mm

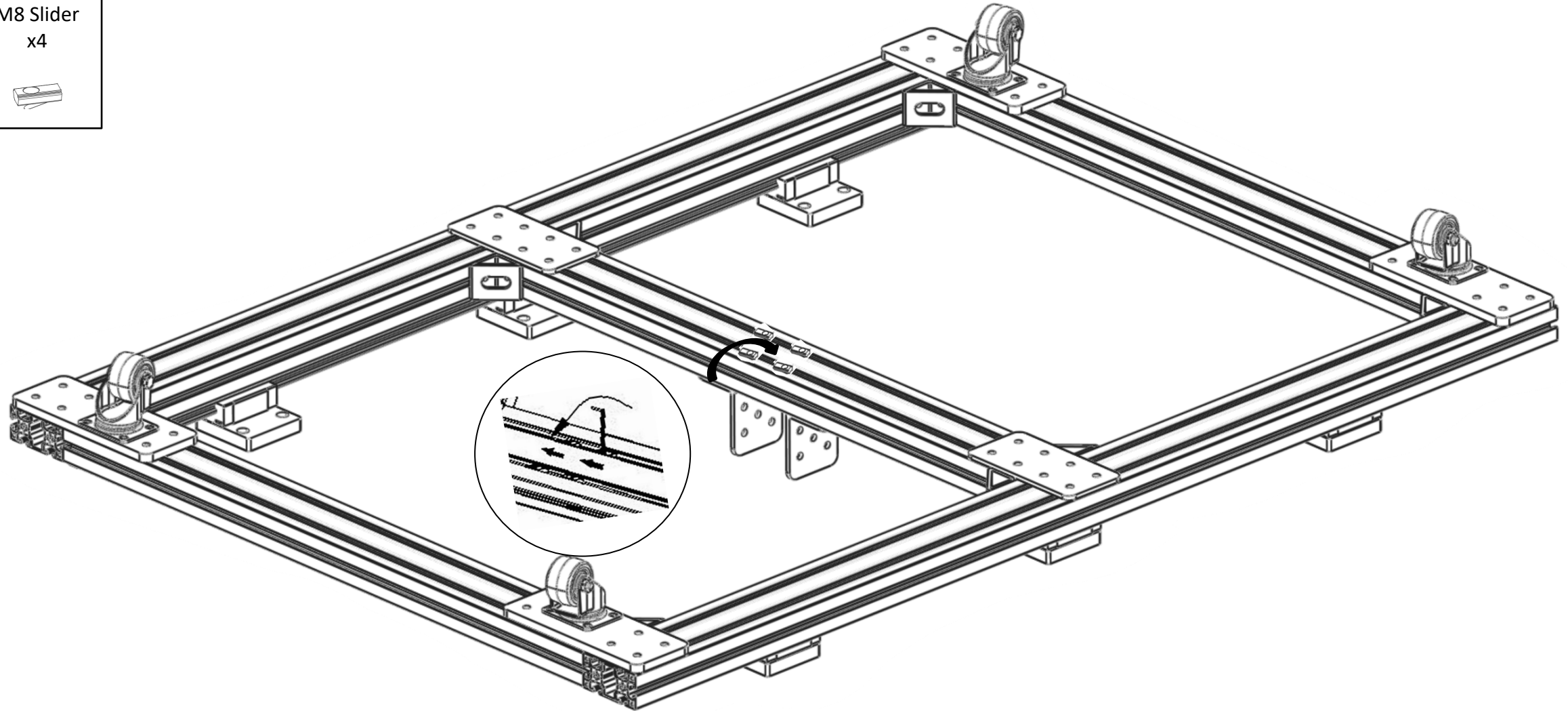


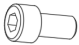


Install M8 screws at both ends of the rail **to prevent** the carriage from **sliding off**.

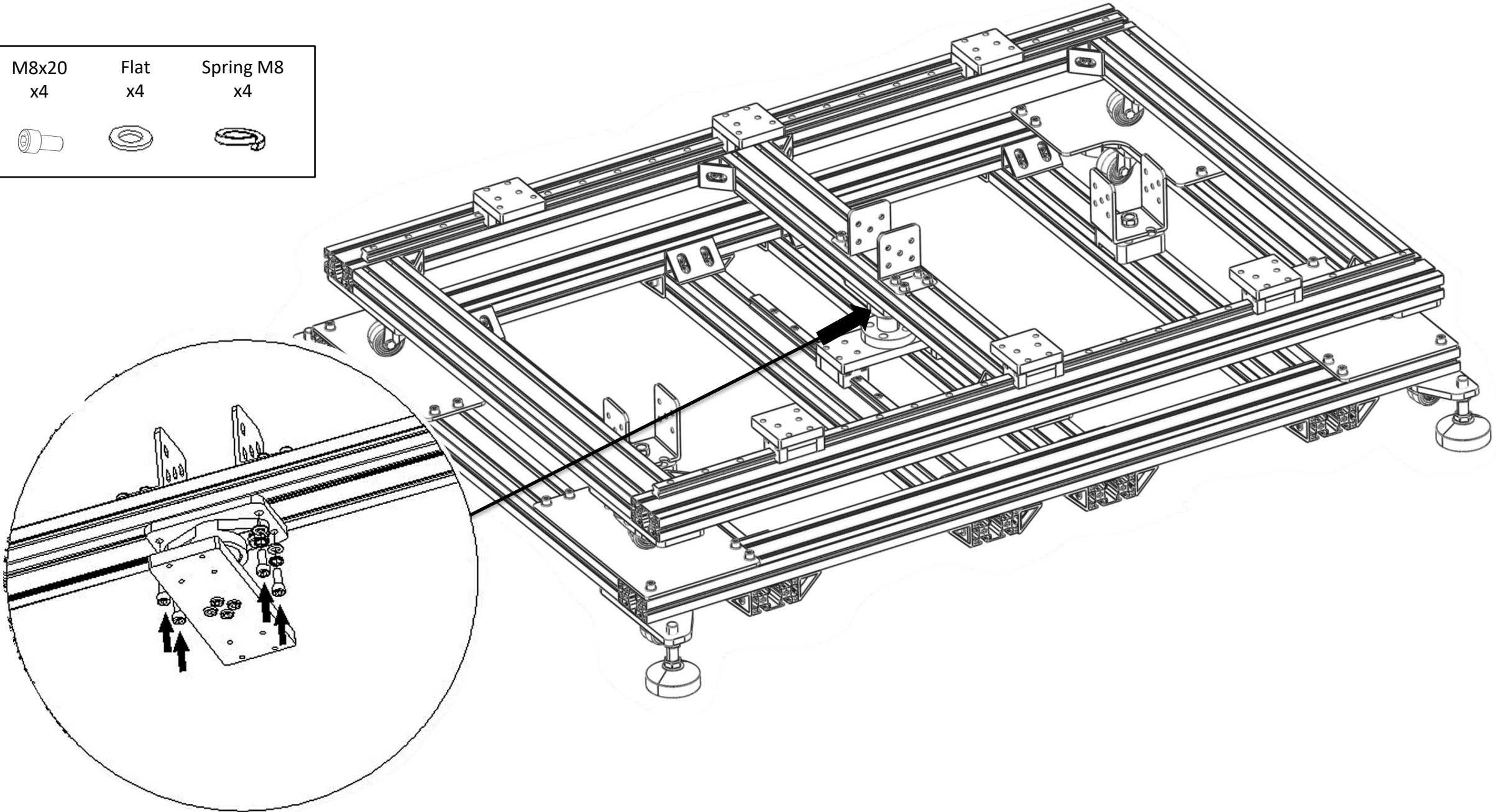
M8x16 x8	M8 Slider x8	Flat x8	Spring M8 x8
			





M8 Slider
x4



M8x20 x4	Flat x4	Spring M8 x4
		

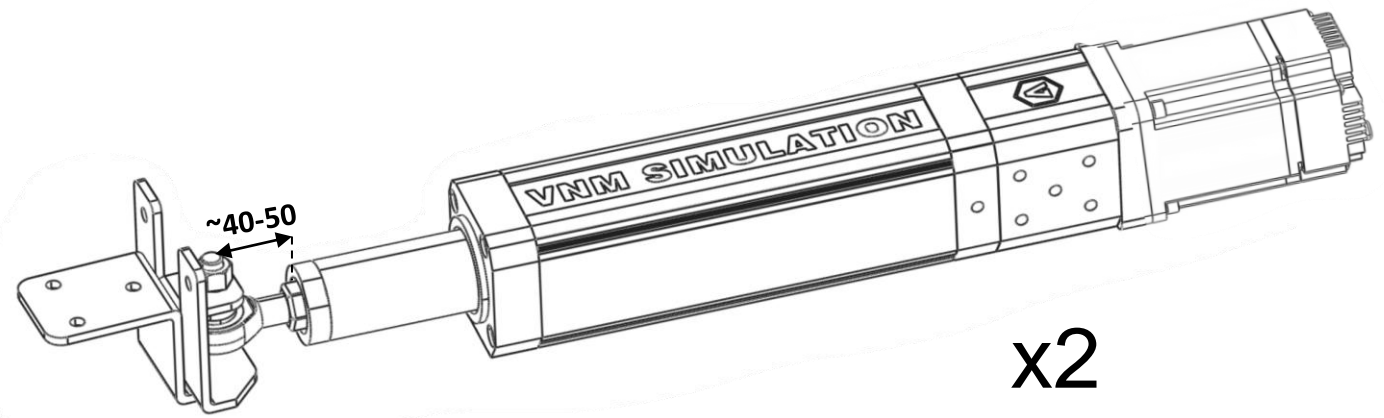
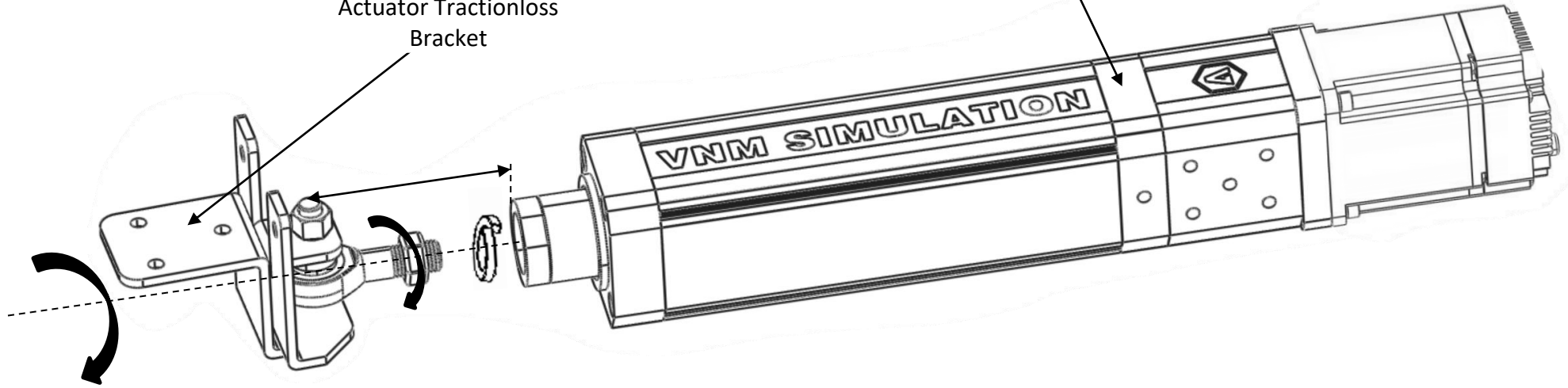


Nut M16 x1	Spring M16 x1
	

8
VNM Actuator 150mm

9

Actuator Tractionloss
Bracket



M8x16
x10



M8 Slider
x10



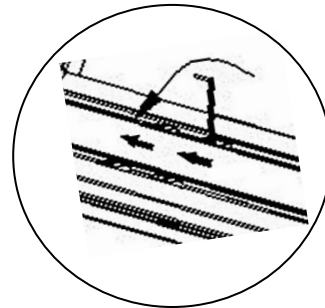
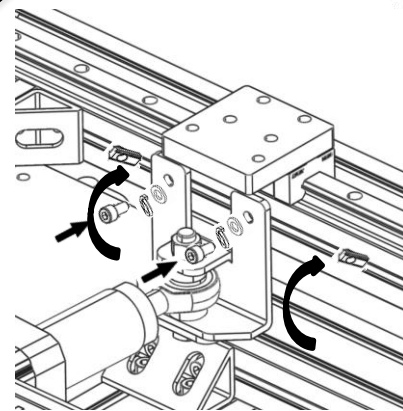
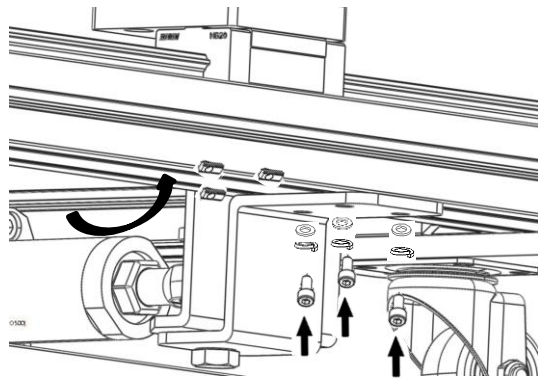
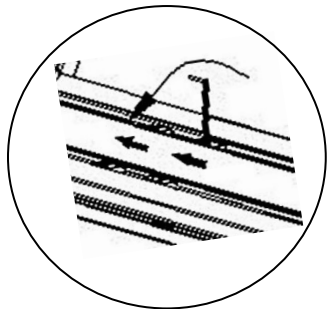
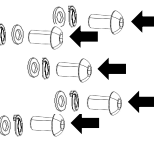
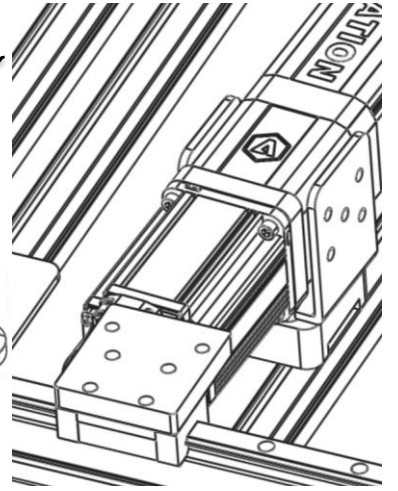
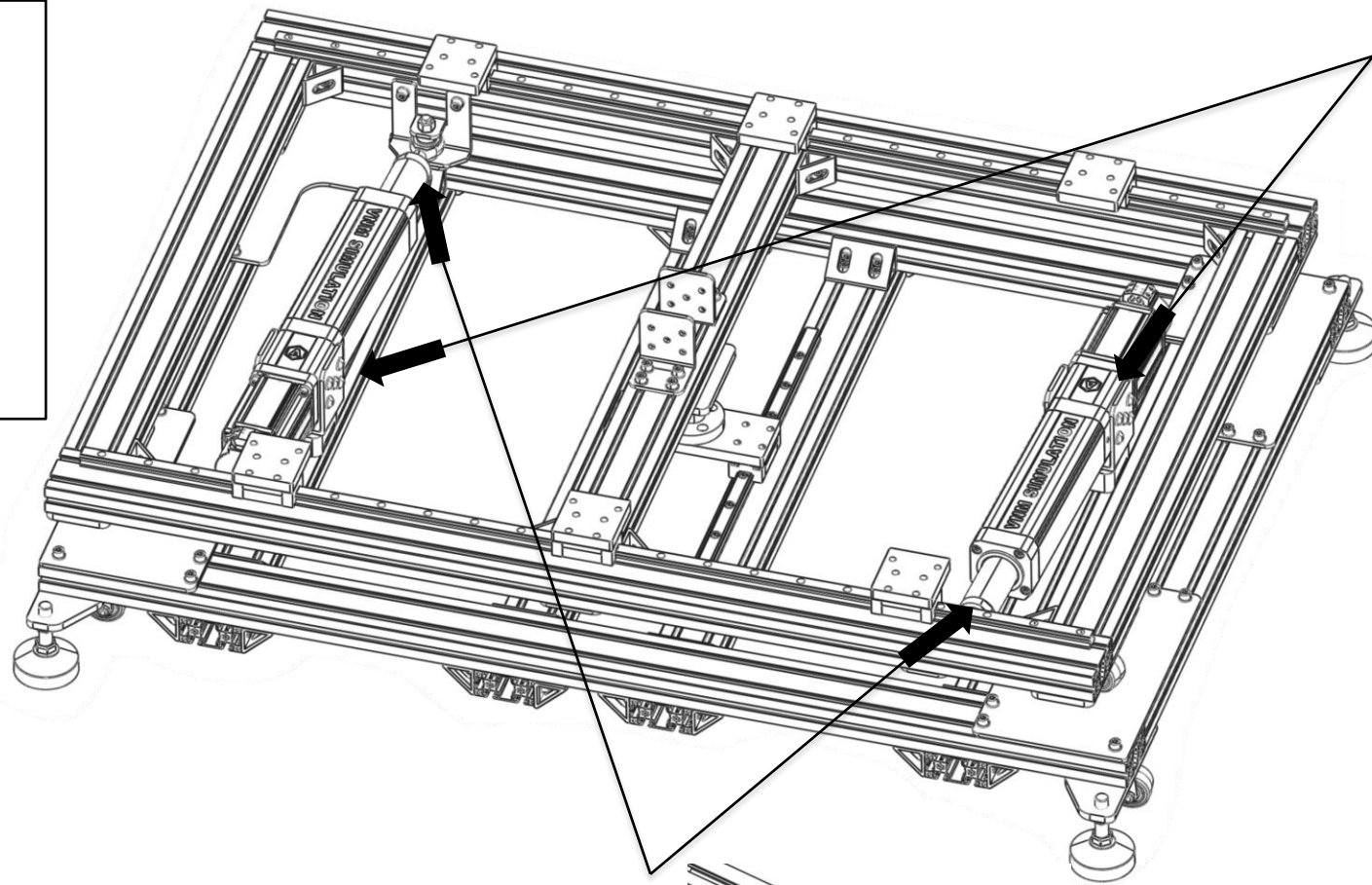
Flat
x30


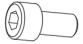



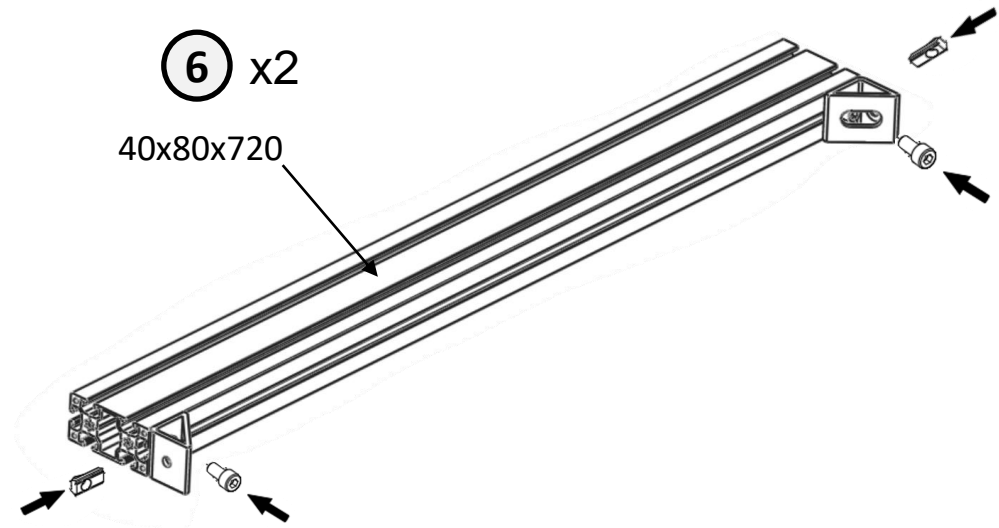
Spring M8
x30

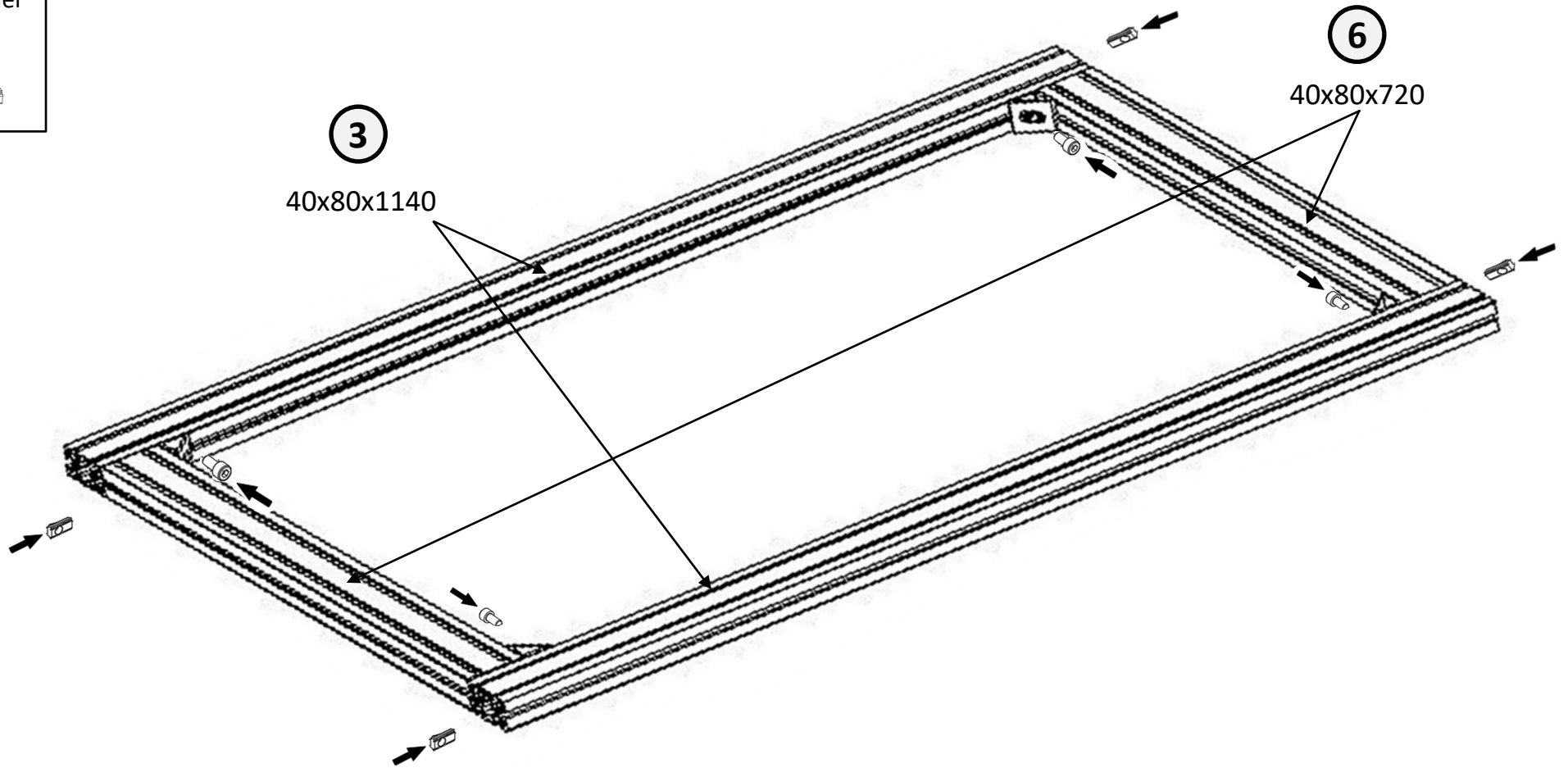
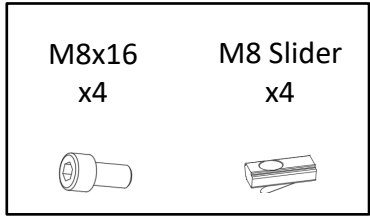


Mo M8x16
x20



4040 Conner Alu x2	M8x16 x2	M8 Slider x2
		





M8x16
x32



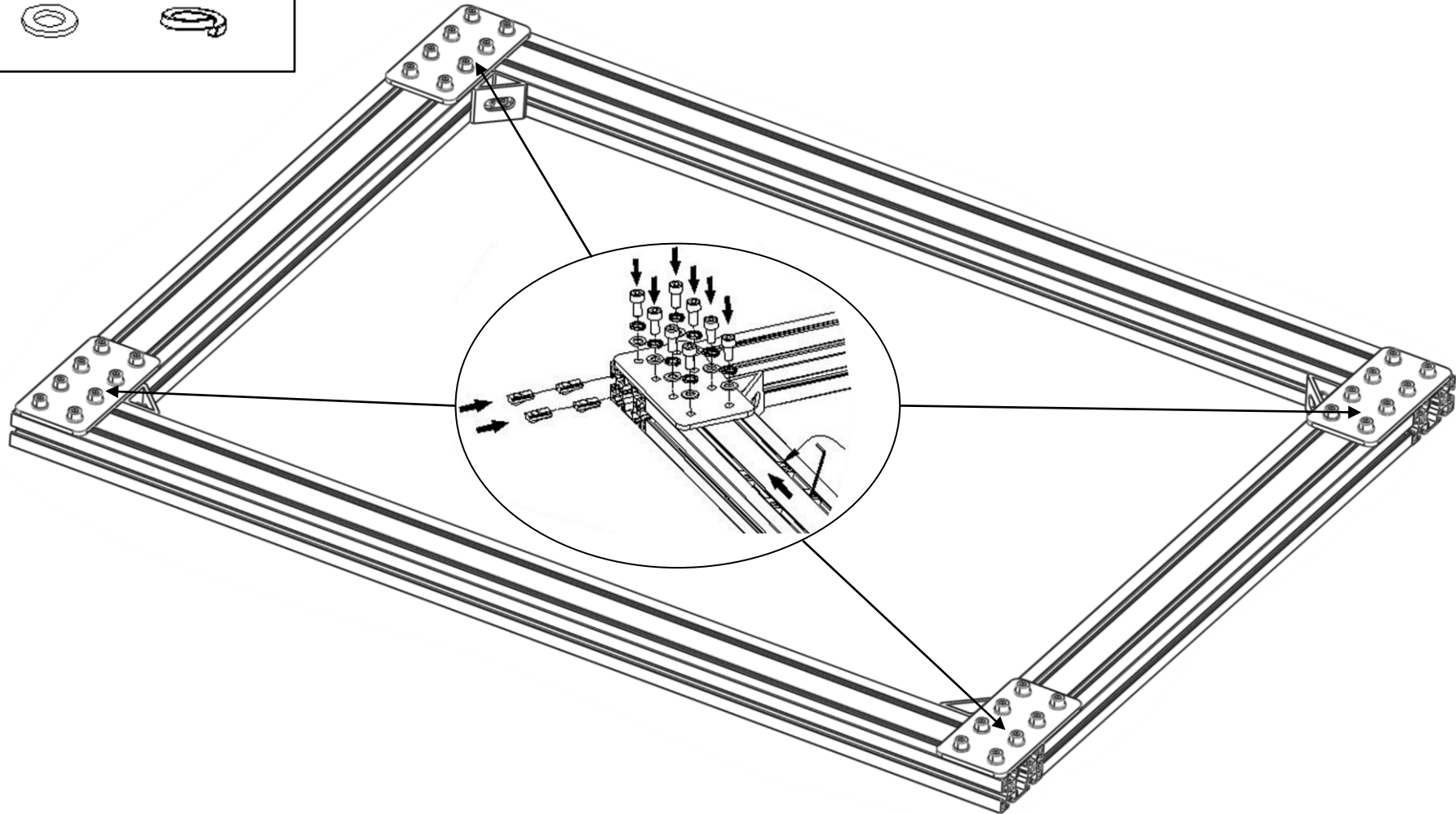
M8 Slider
x32



Flat
x32



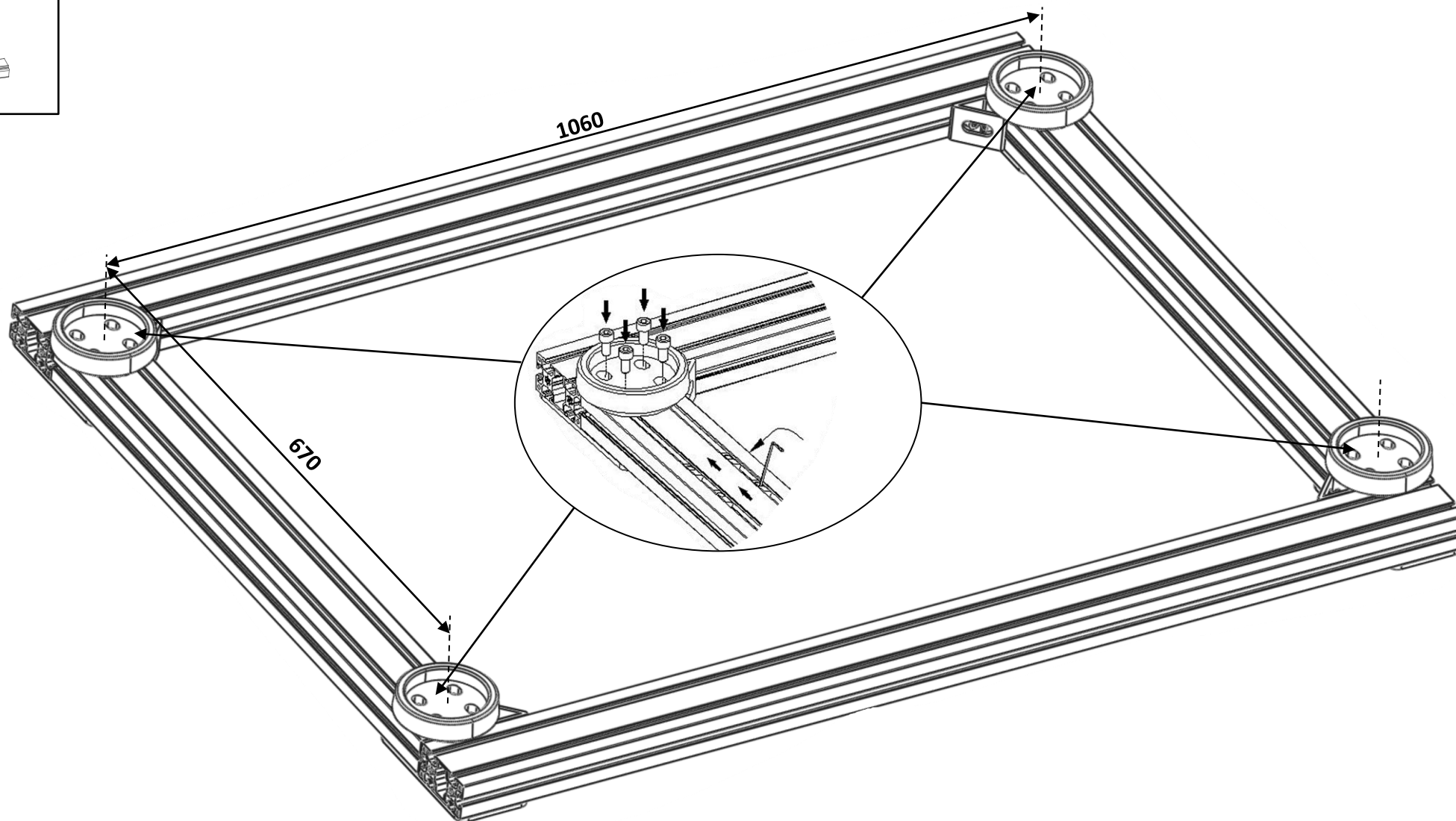
Spring M8
x32



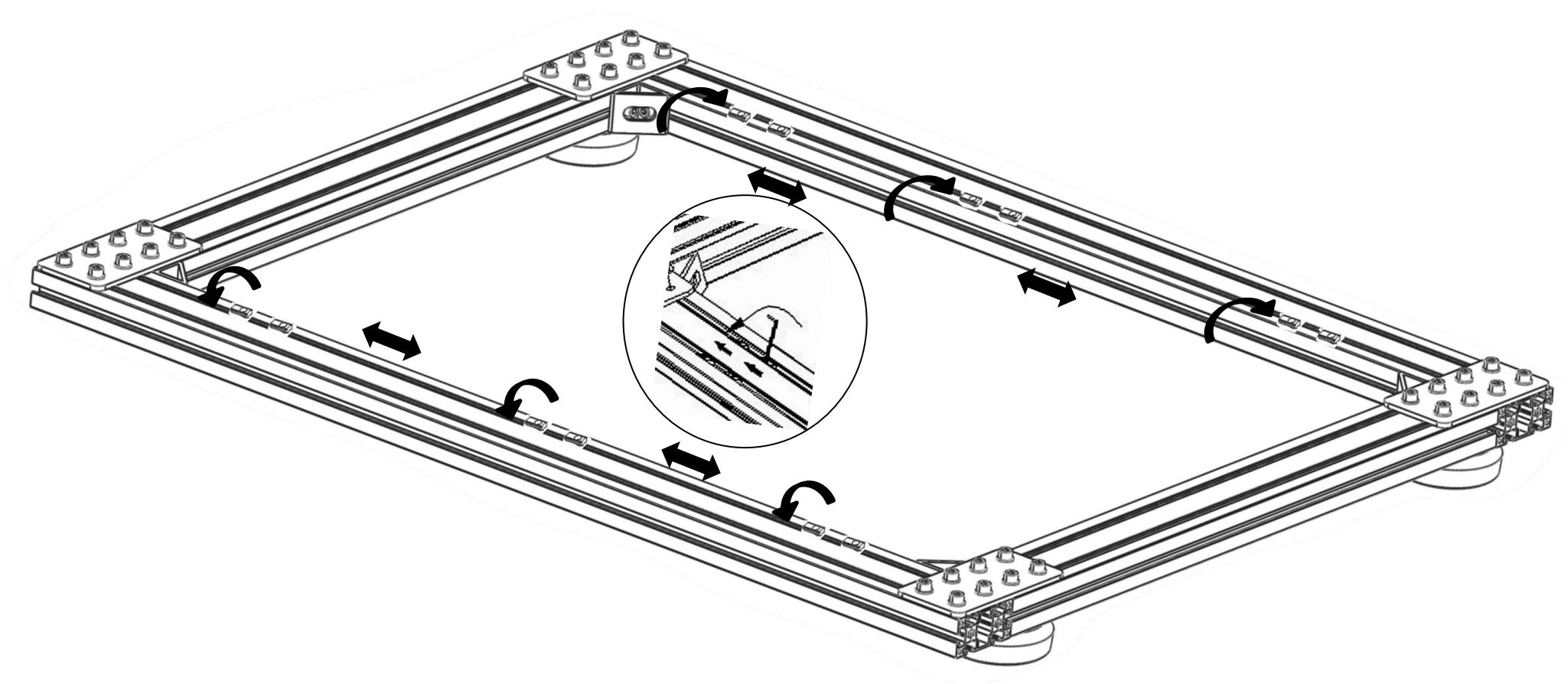
M8x16
x16

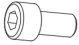



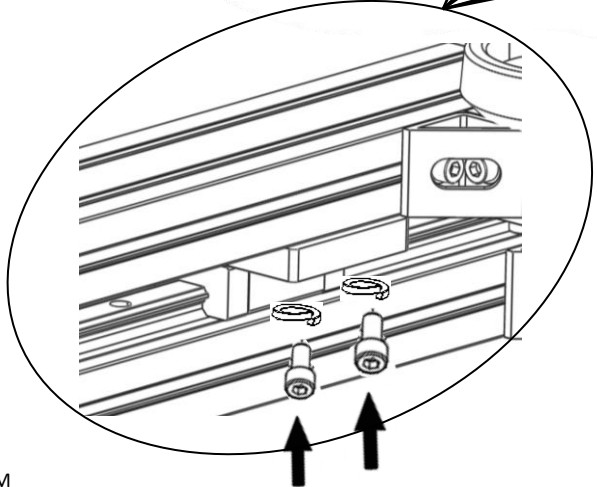
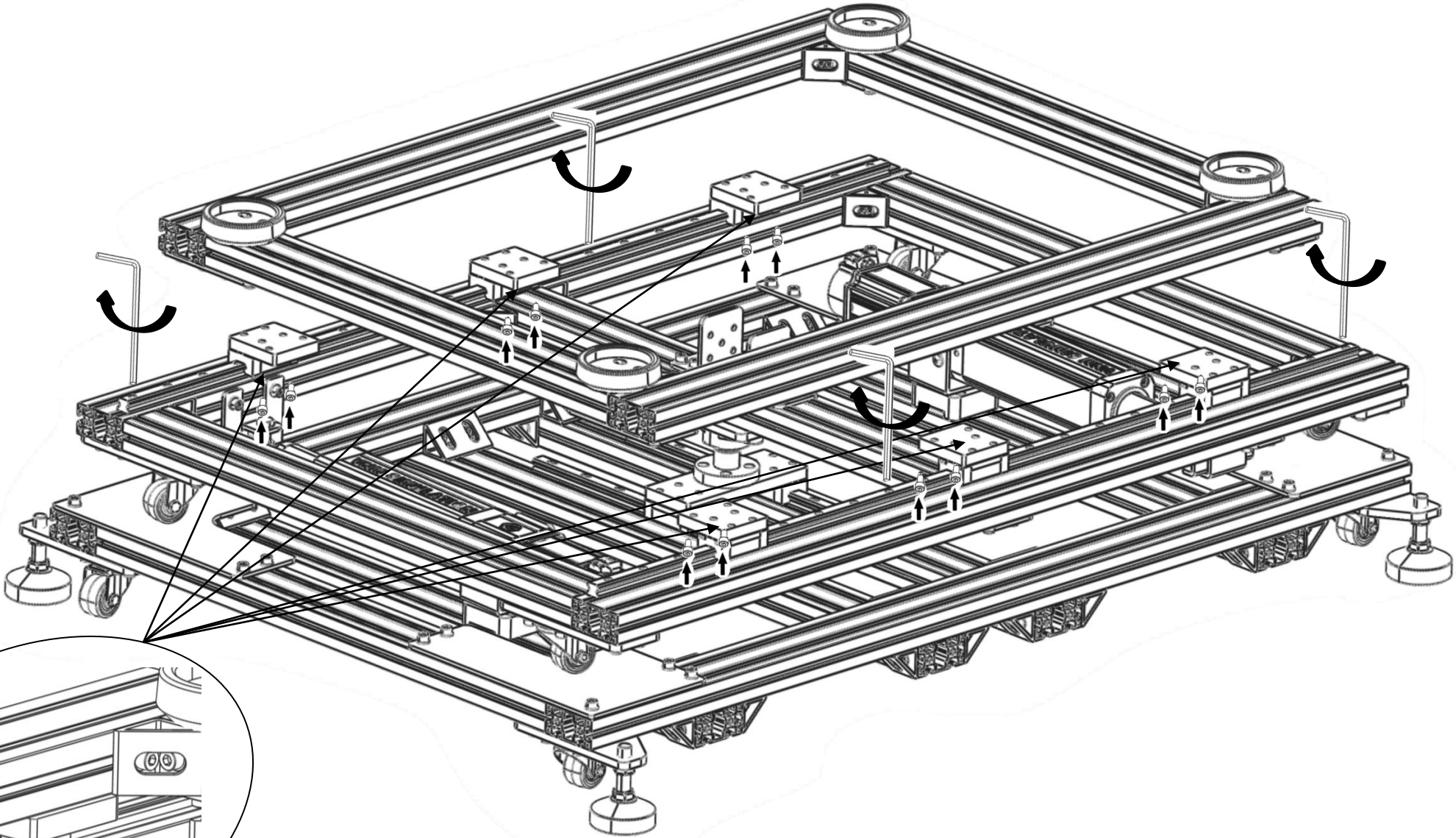
M8 Slider
x16





M8 Slider
x12

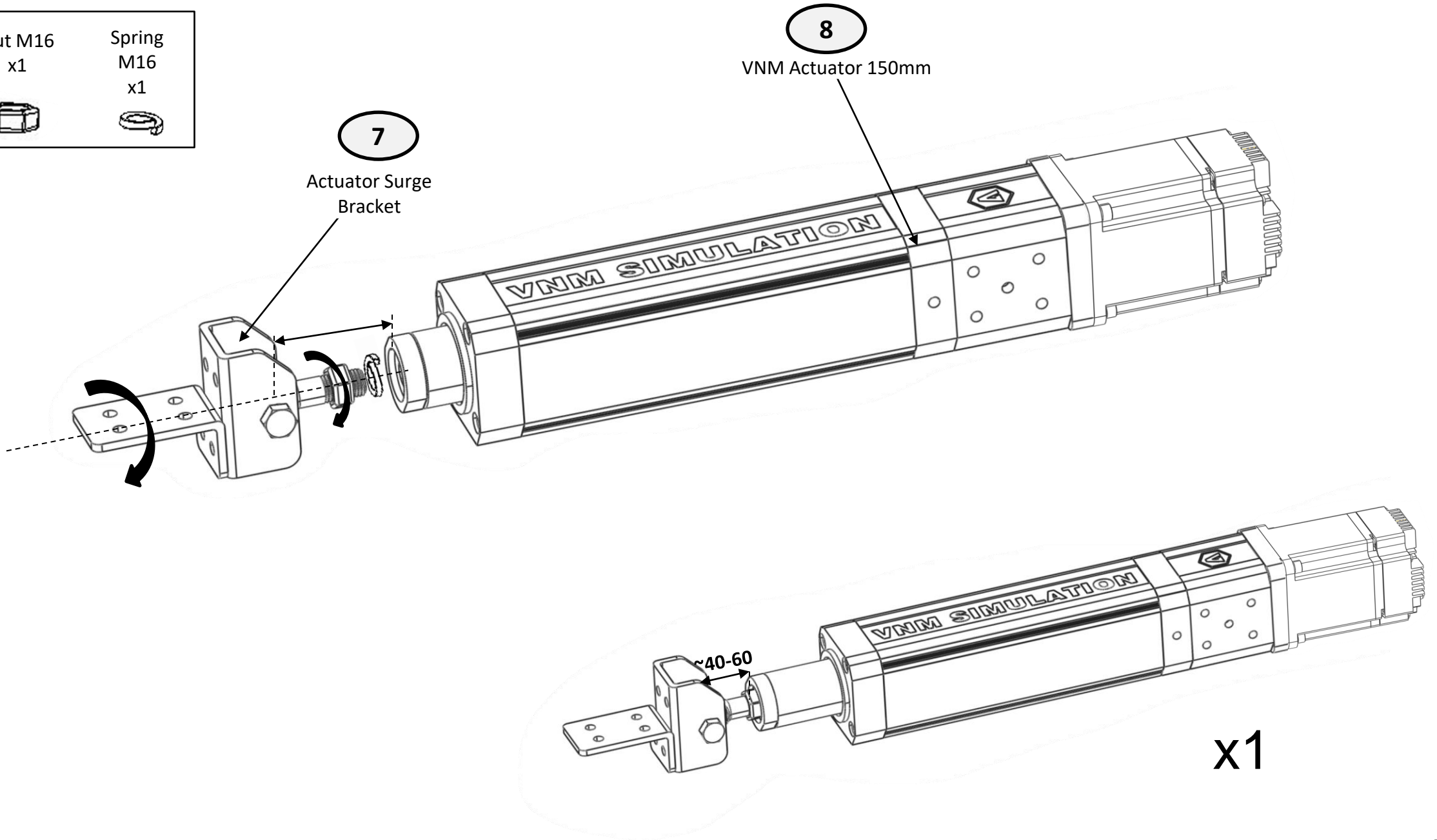


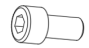



M8x16 x12	Spring M8 x12
	

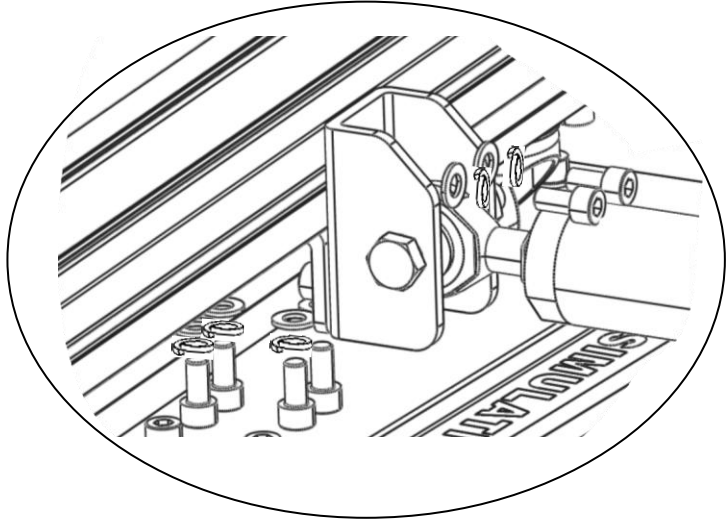
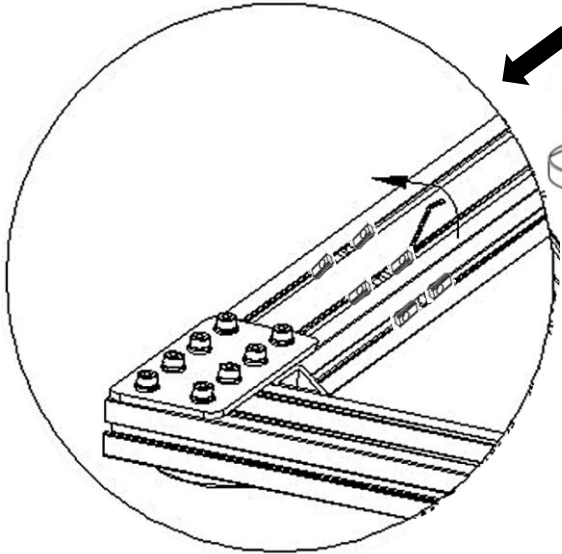
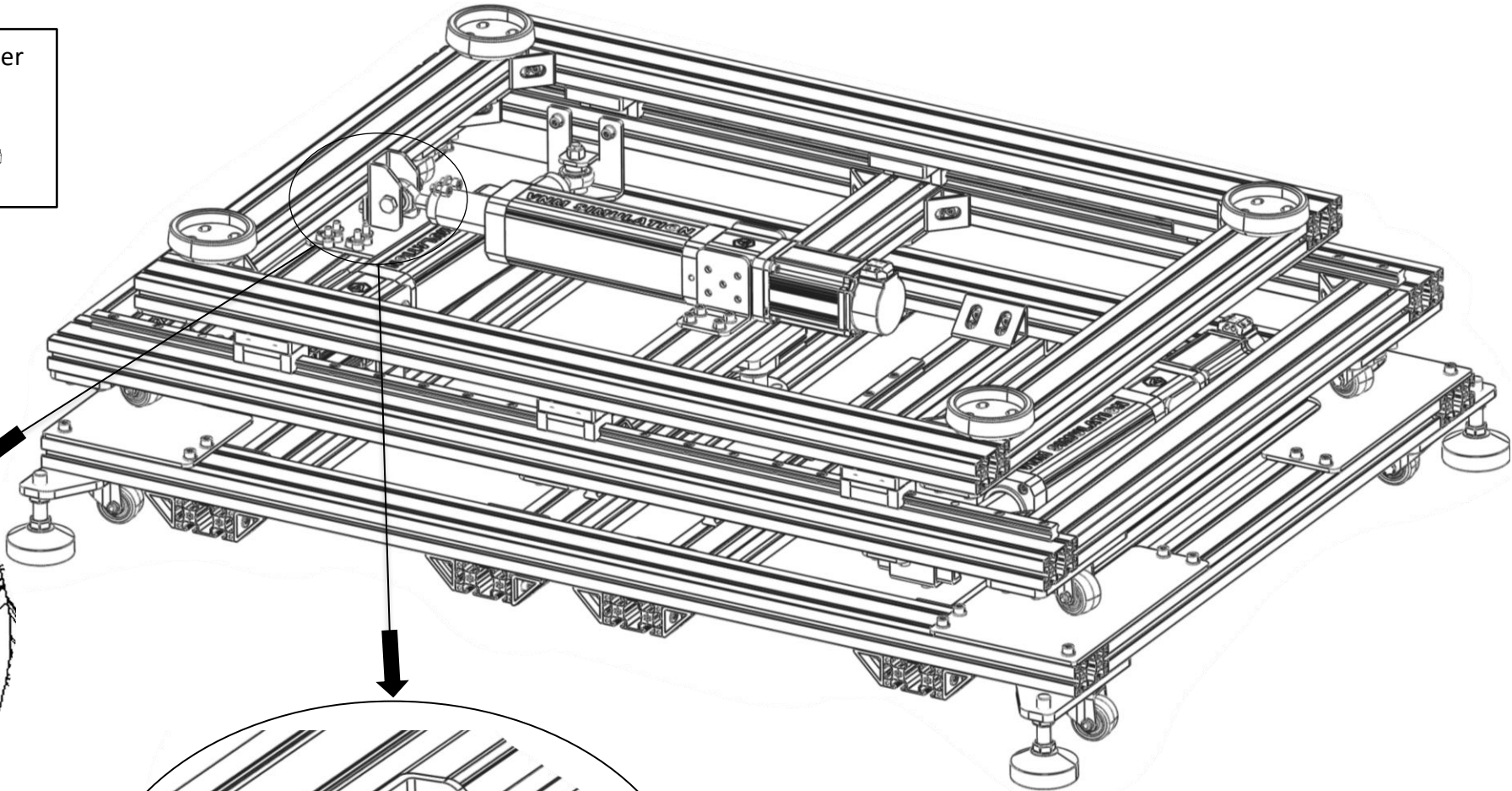


Fully tighten the screws at this step.

Nut M16 x1	Spring M16 x1
	



M8x16 x6	Flat x6	Spring M8 x6	M8 Slider x6
			



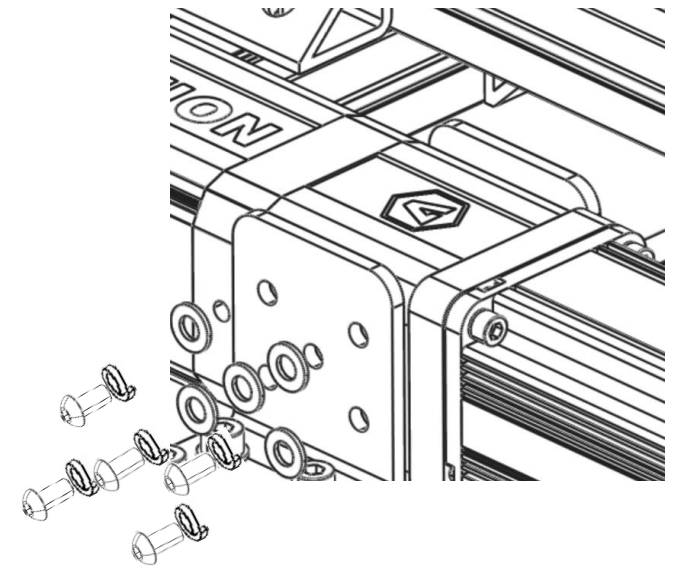
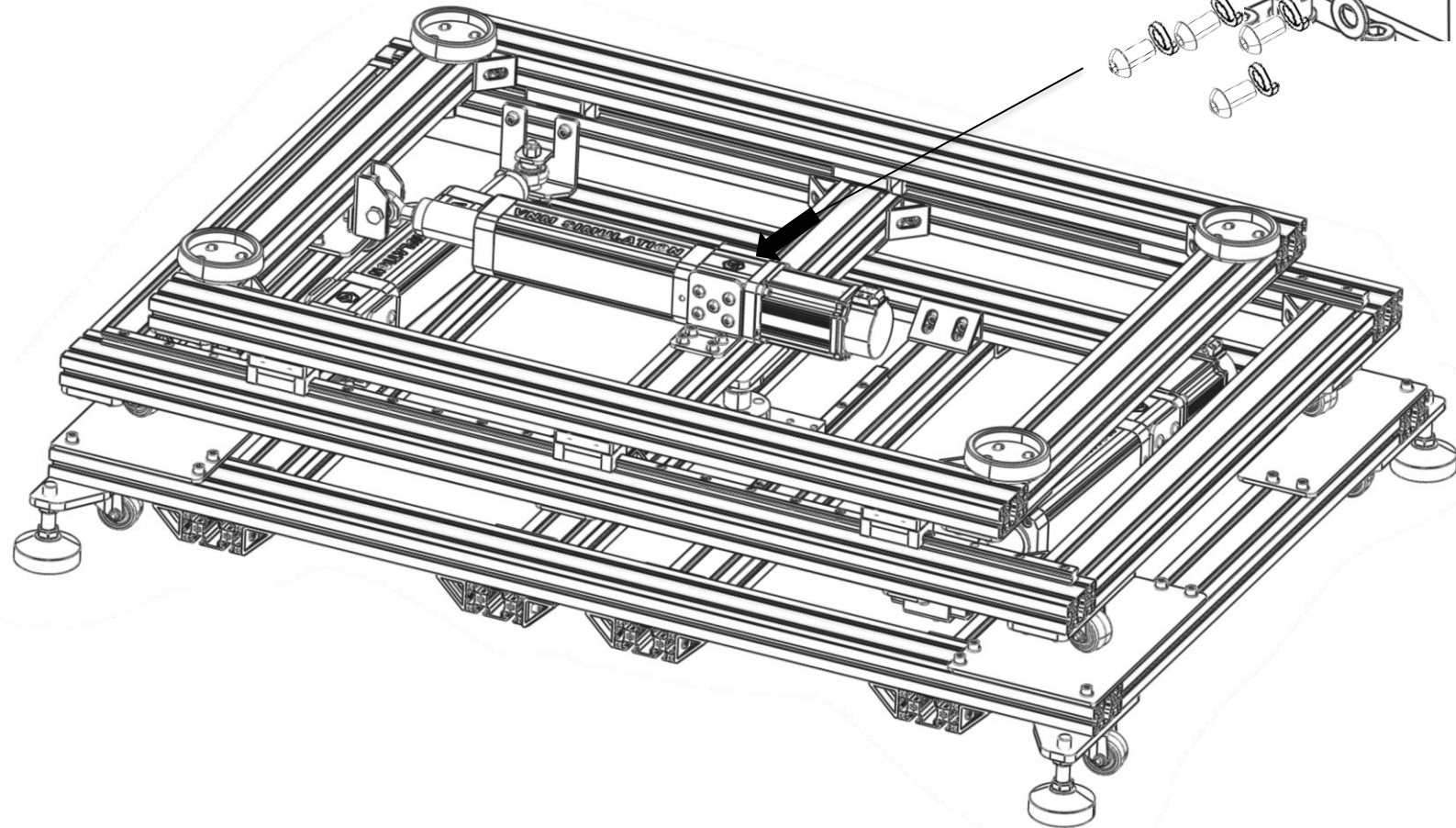
Spring M8
x10

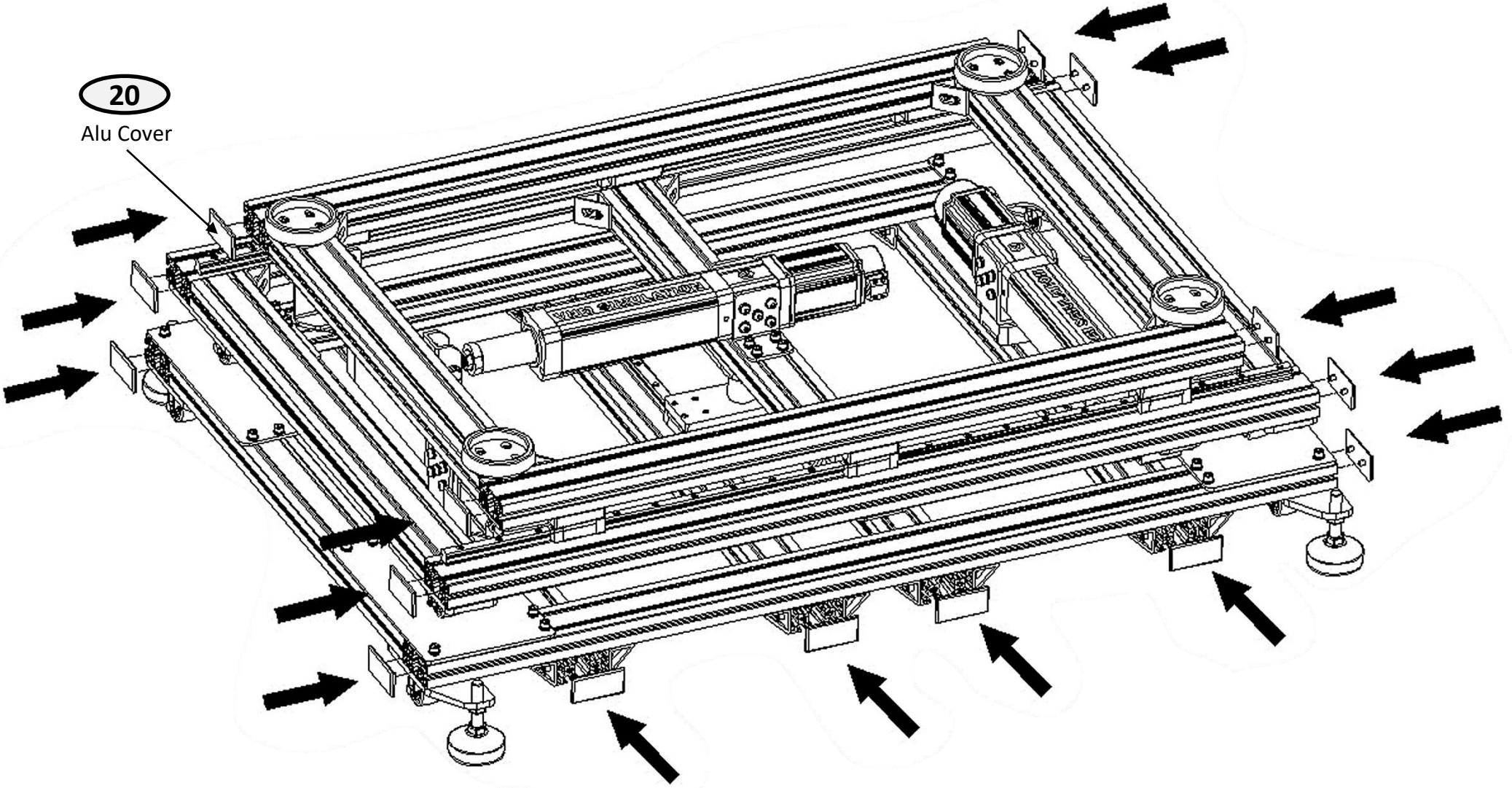
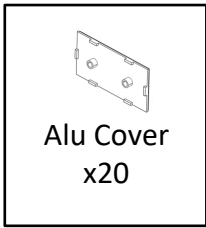


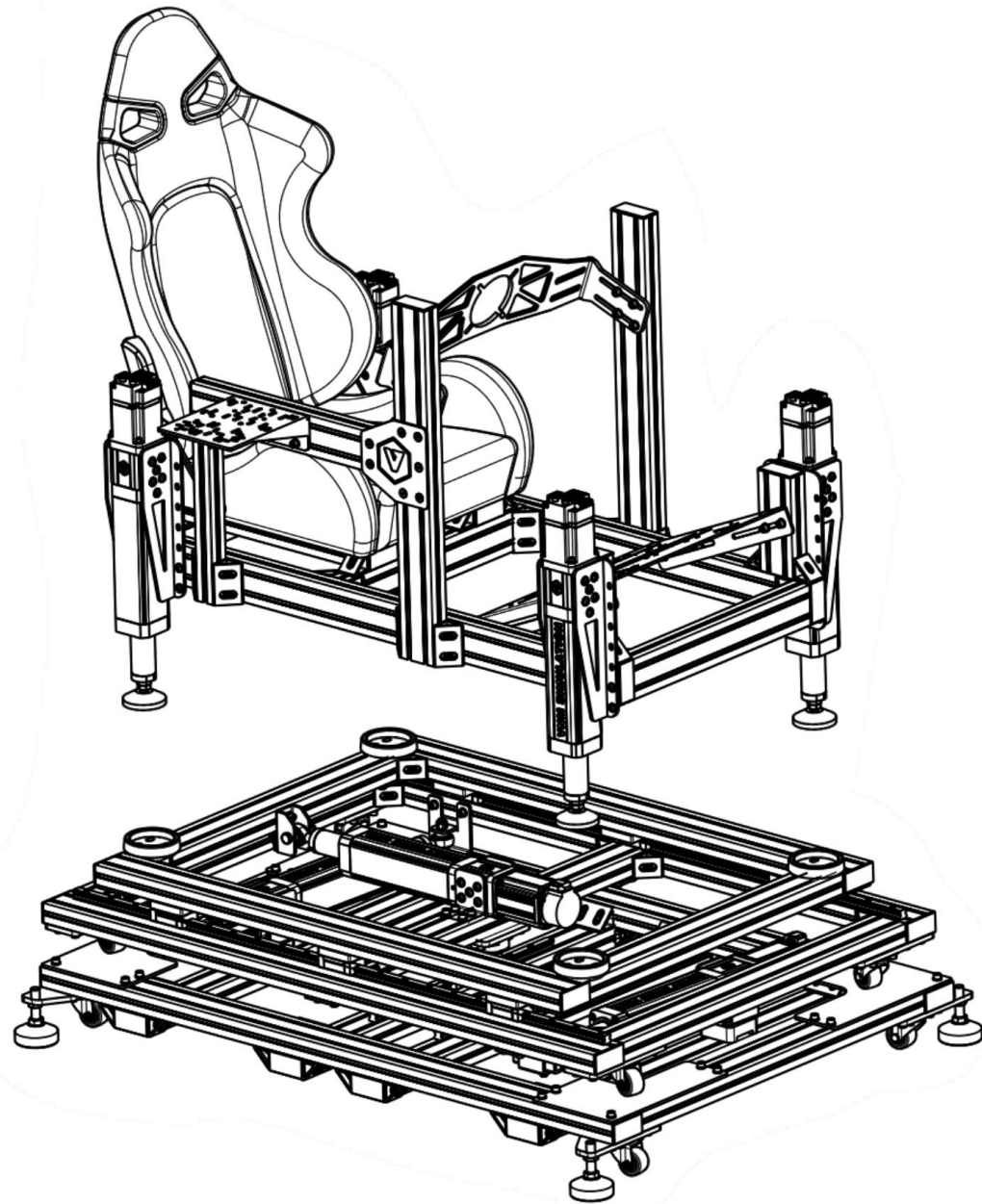
Mo M8x16
x10

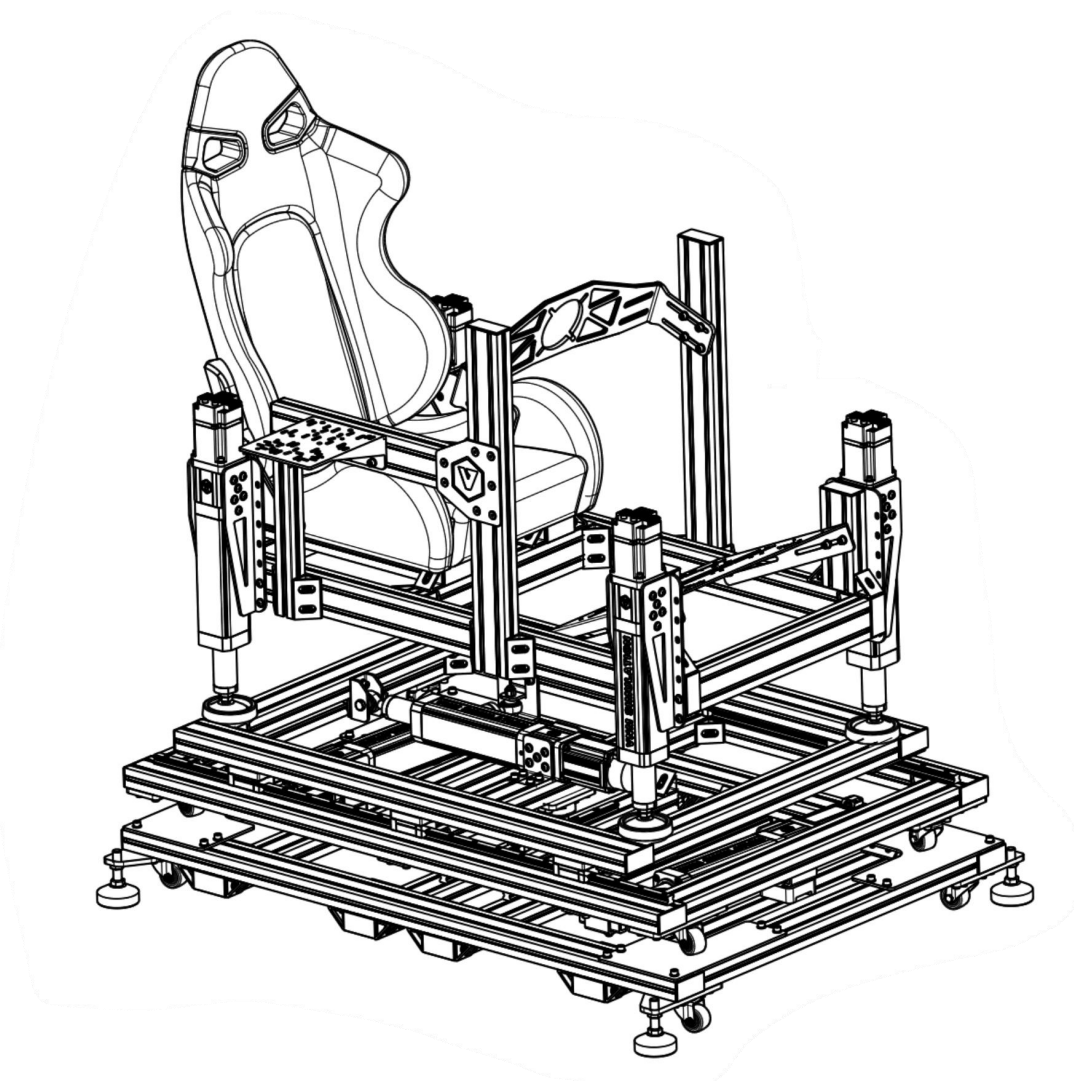


Flat
x10









*“Congratulations on completing your rig assembly.
If you have any questions or encounter any problems, please contact us for support!”*