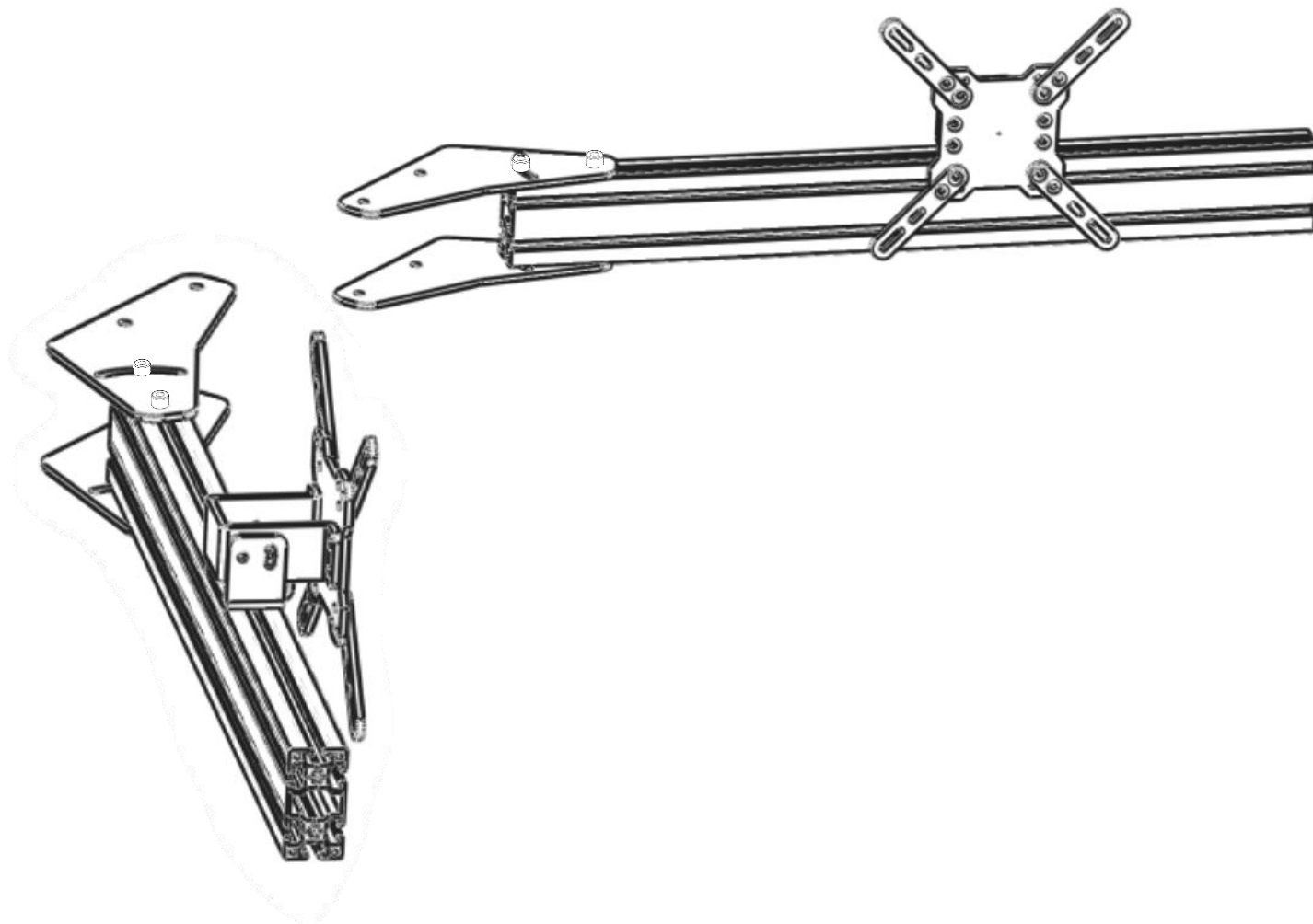




Quick installation guide

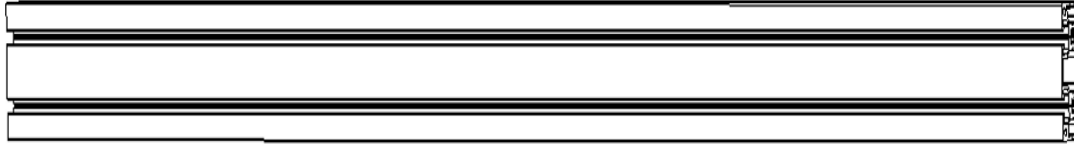
VNM Triple Monitor Extension

(for Freestanding Monitor Type)



1

40x80x720
x2



Screen Mount
x2

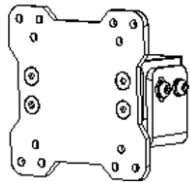
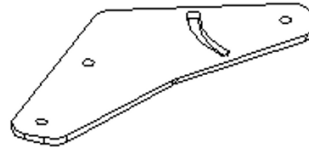
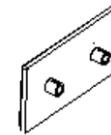


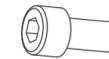
Plate Connector Alu
x4



Alu Cover
x2



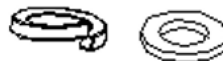
M8x16
x20



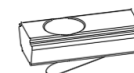
Vesa Extended
x8



Flat, Spring M8
x20

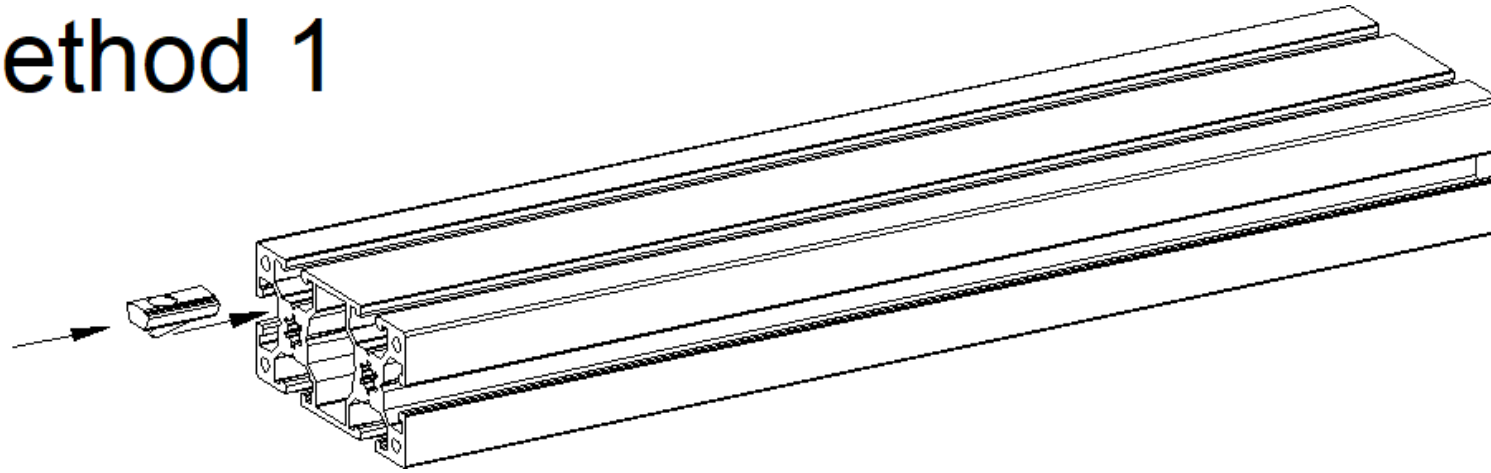


M8 Slider
x20

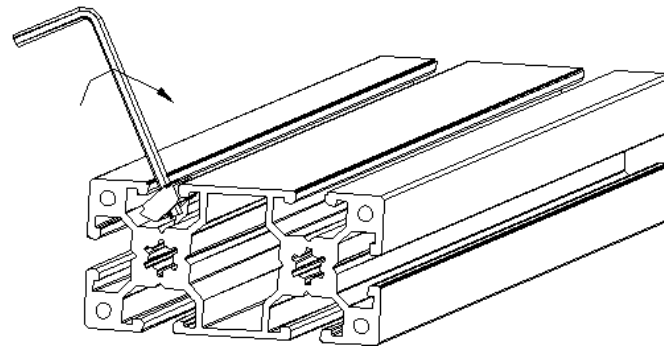






If you are missing any parts, please contact our customer support team who can assist!

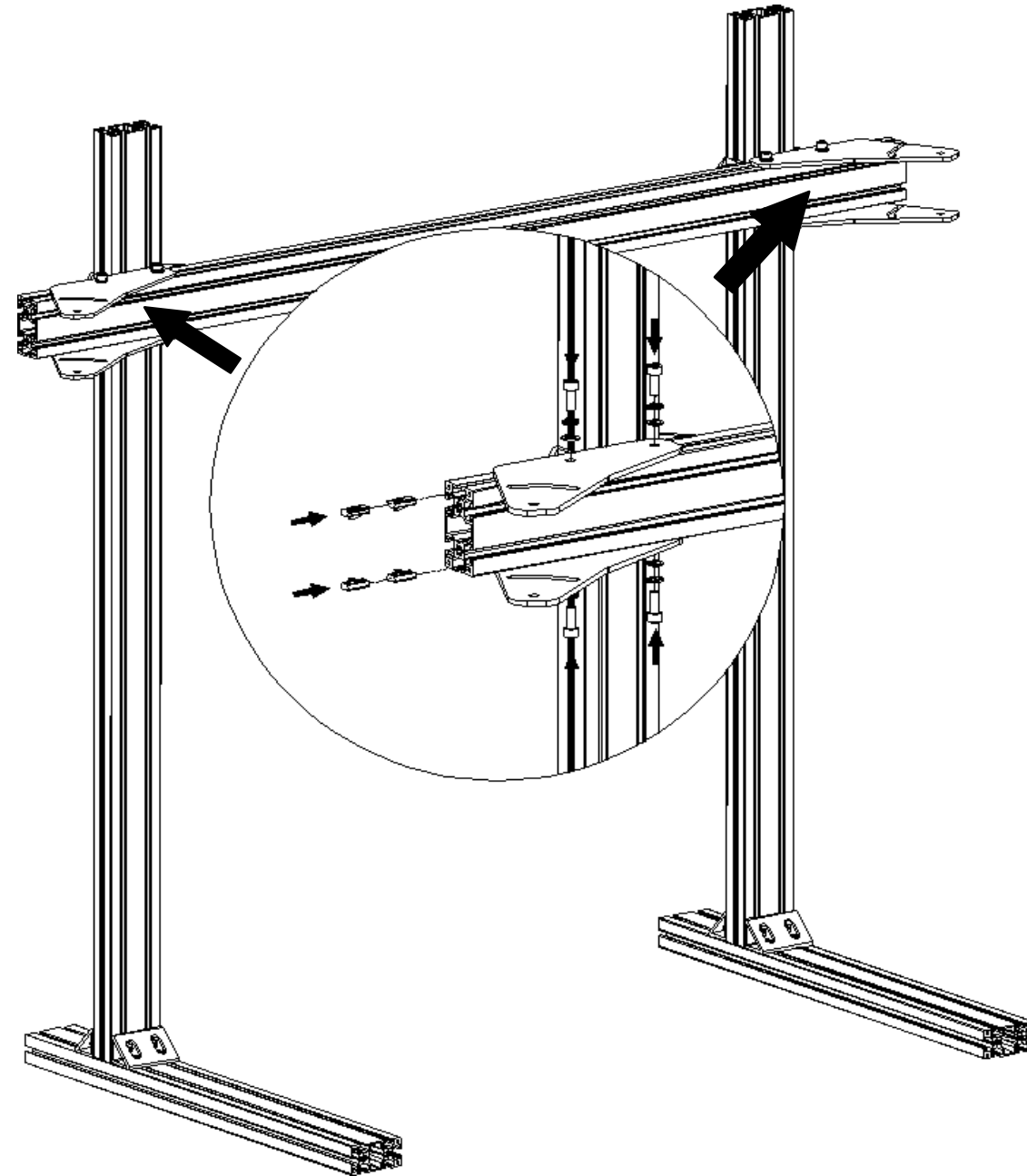
Method 1




Method 2



(Flat 8) x8	(M8 Nut) x8
	
(M8x16) x8	(Spring 8) x8
	

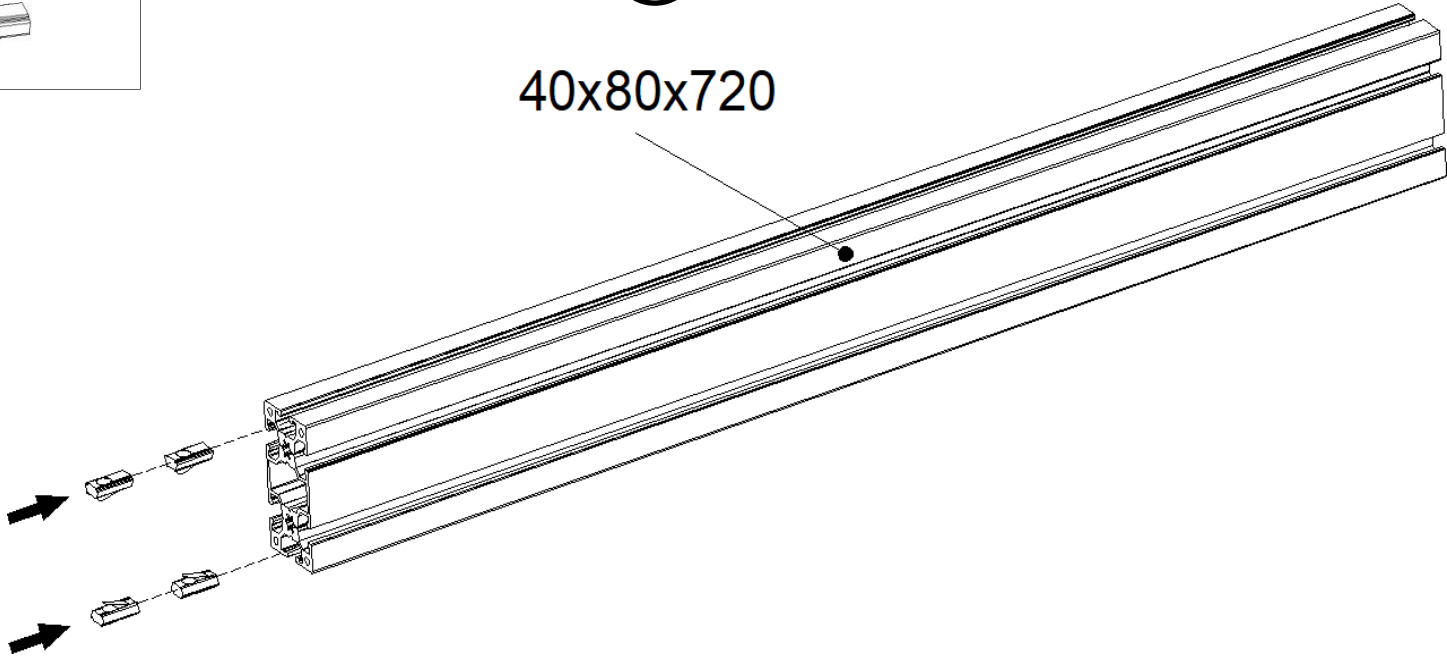





(M8 Nut)
x4



② x2

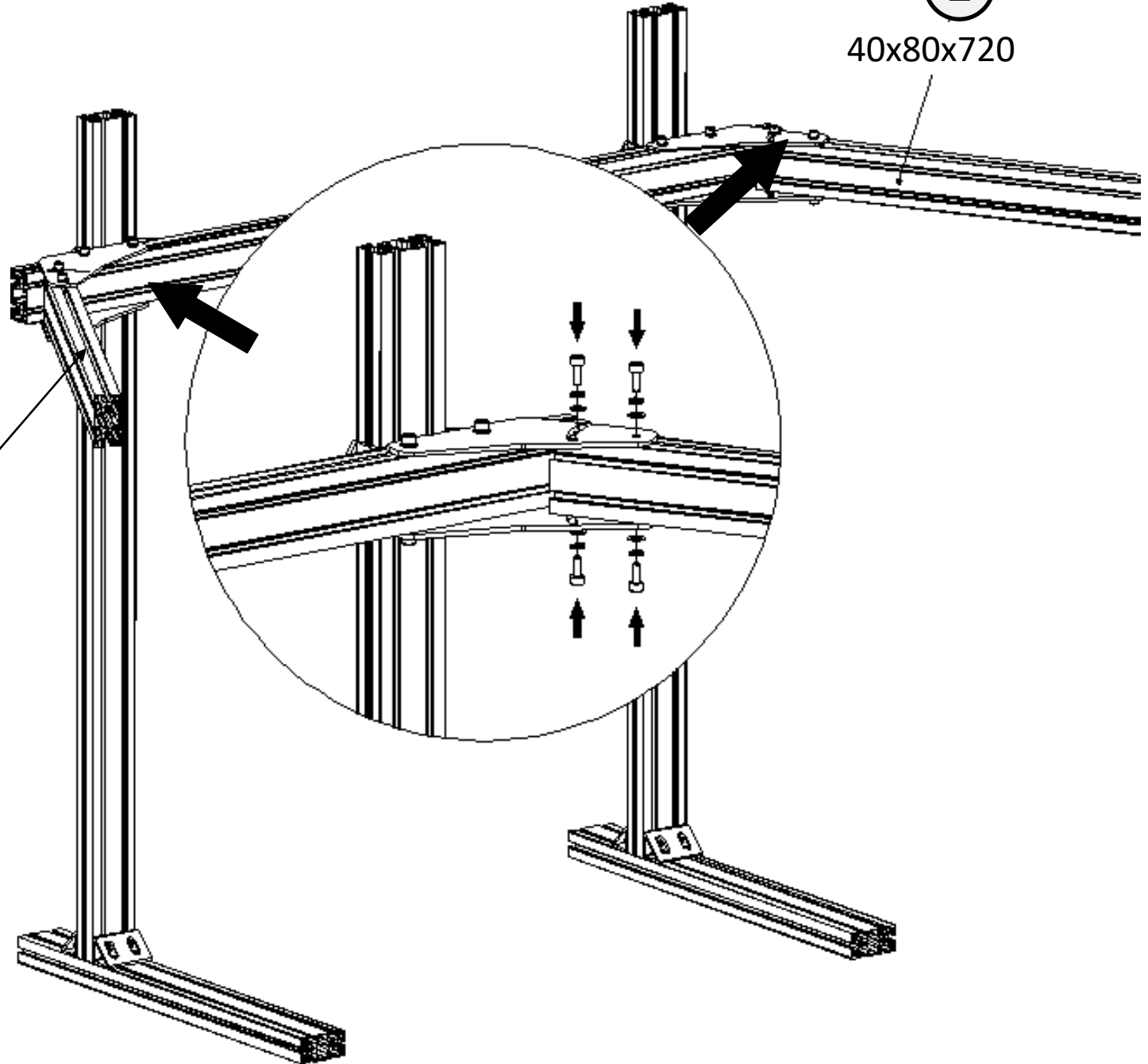
40x80x720

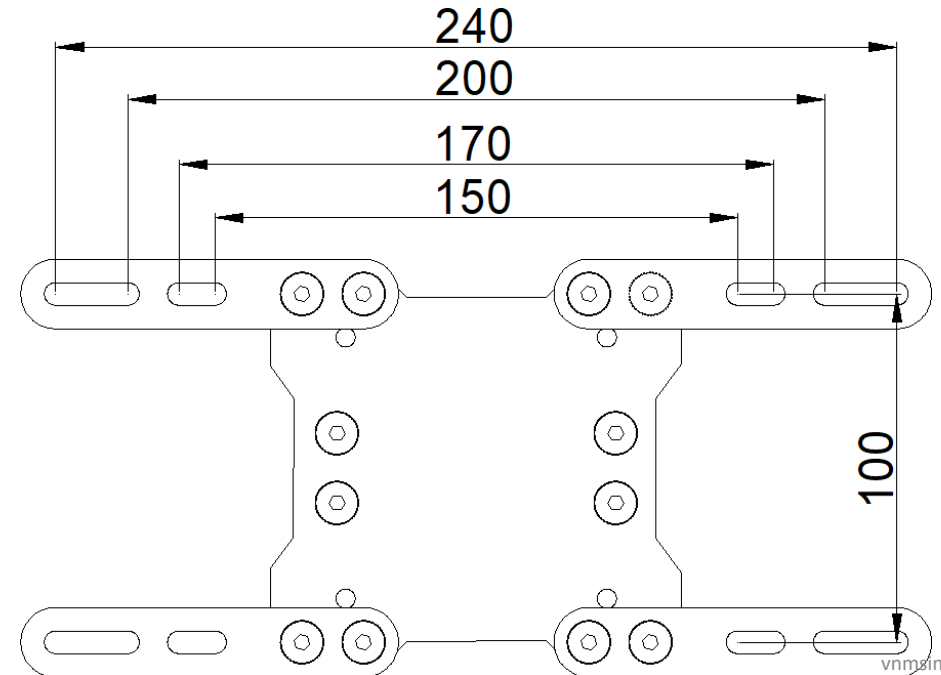
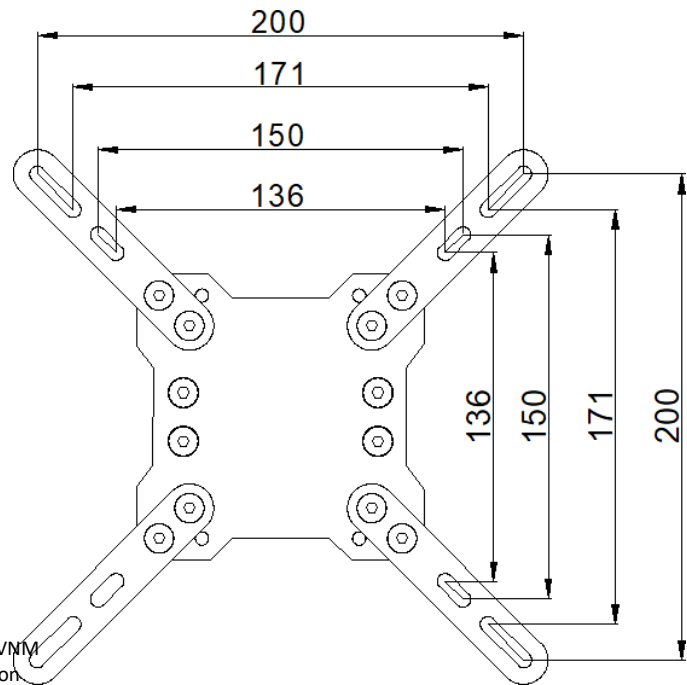
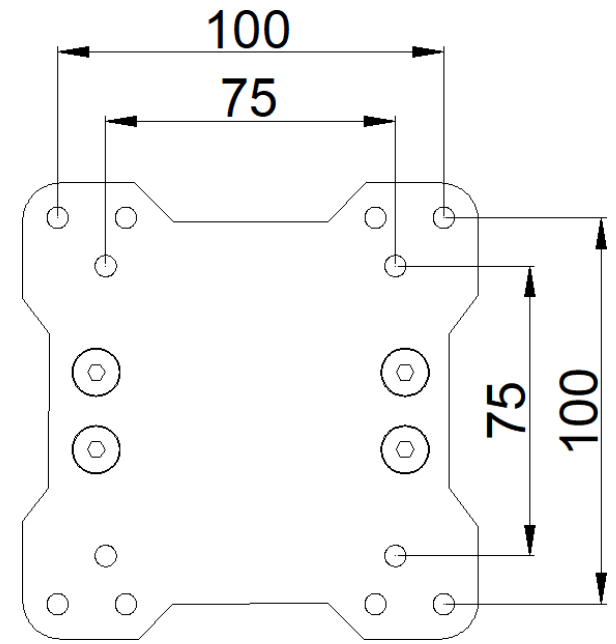
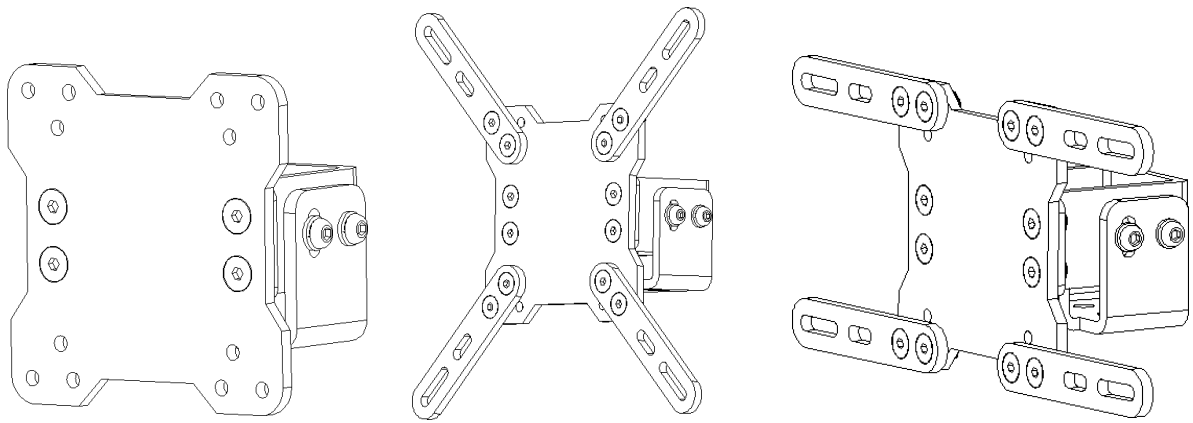


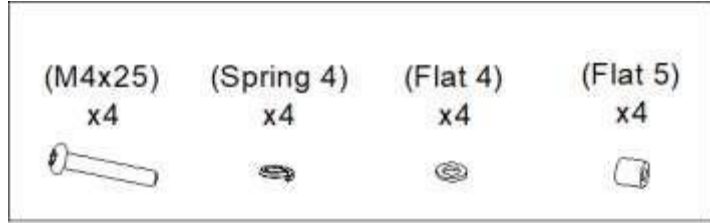
- | | | |
|---|---|---|
| (M8x16)
x8 | (Spring 8)
x8 | (Flat 8)
x8 |
|  |  |  |

②
40x80x720

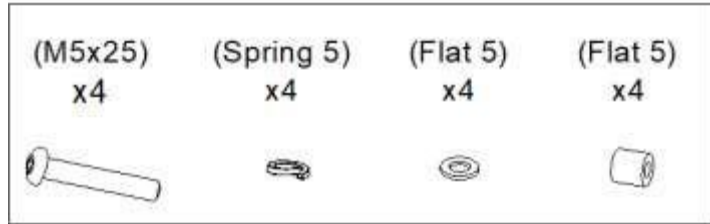
②
40x80x720



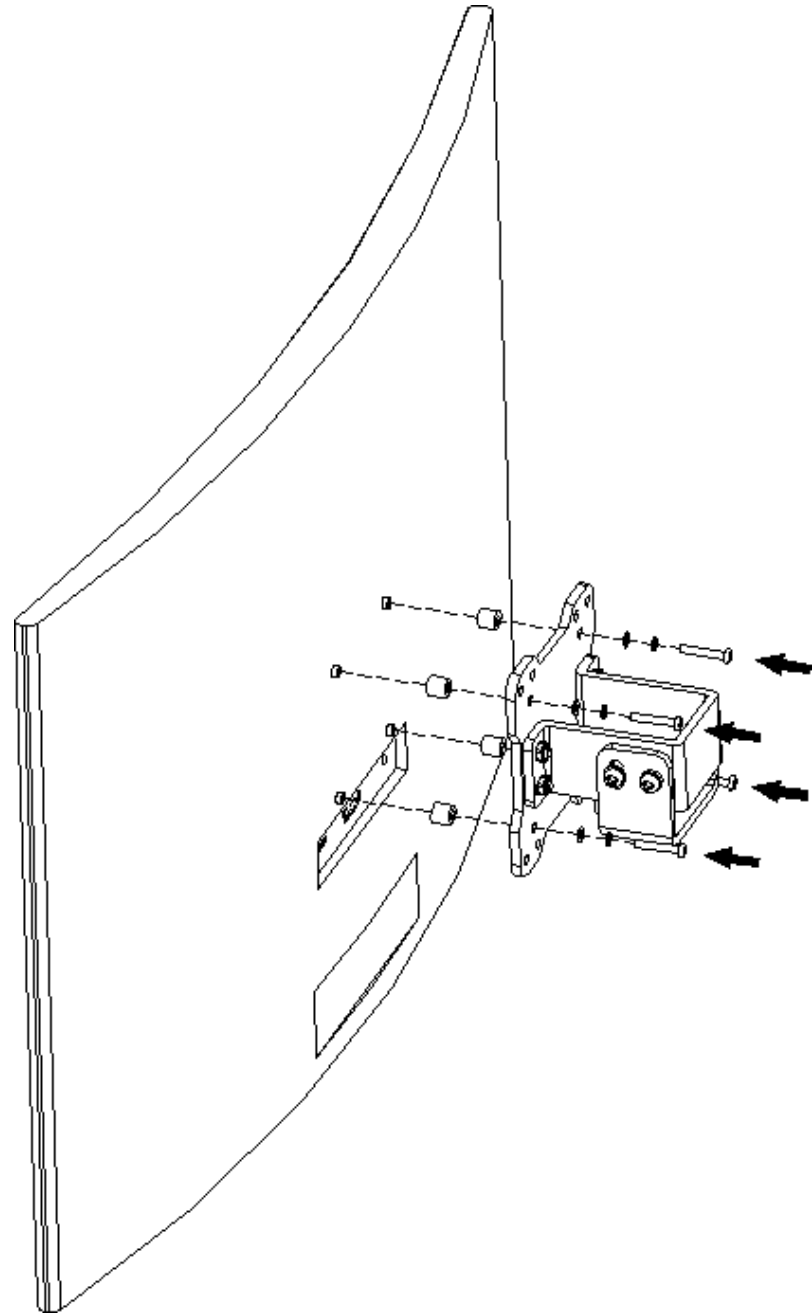








Or

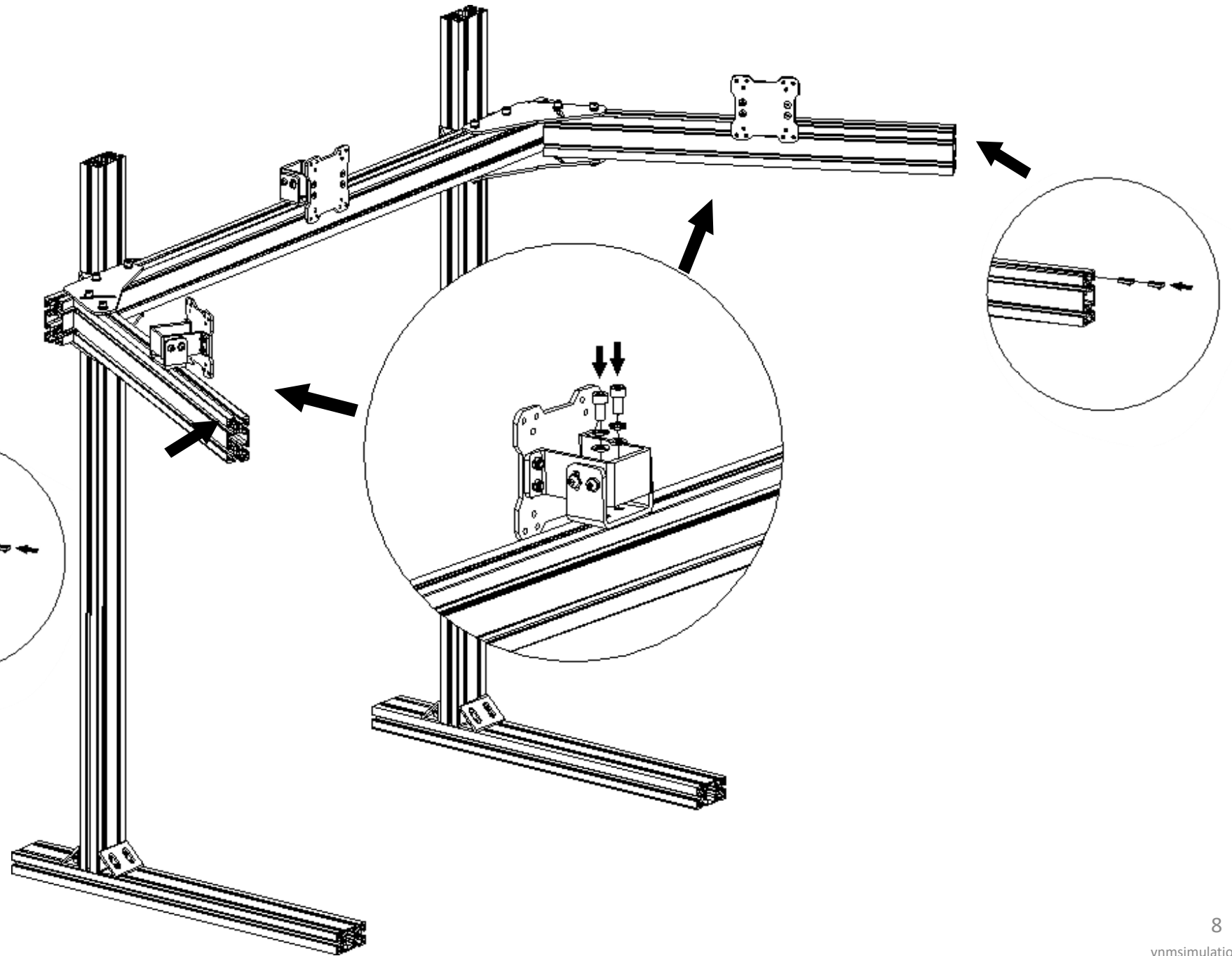
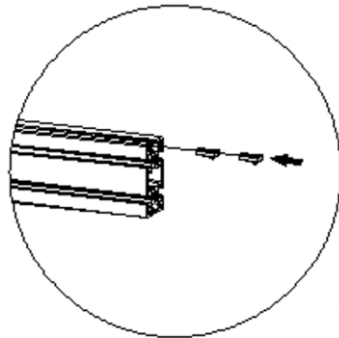


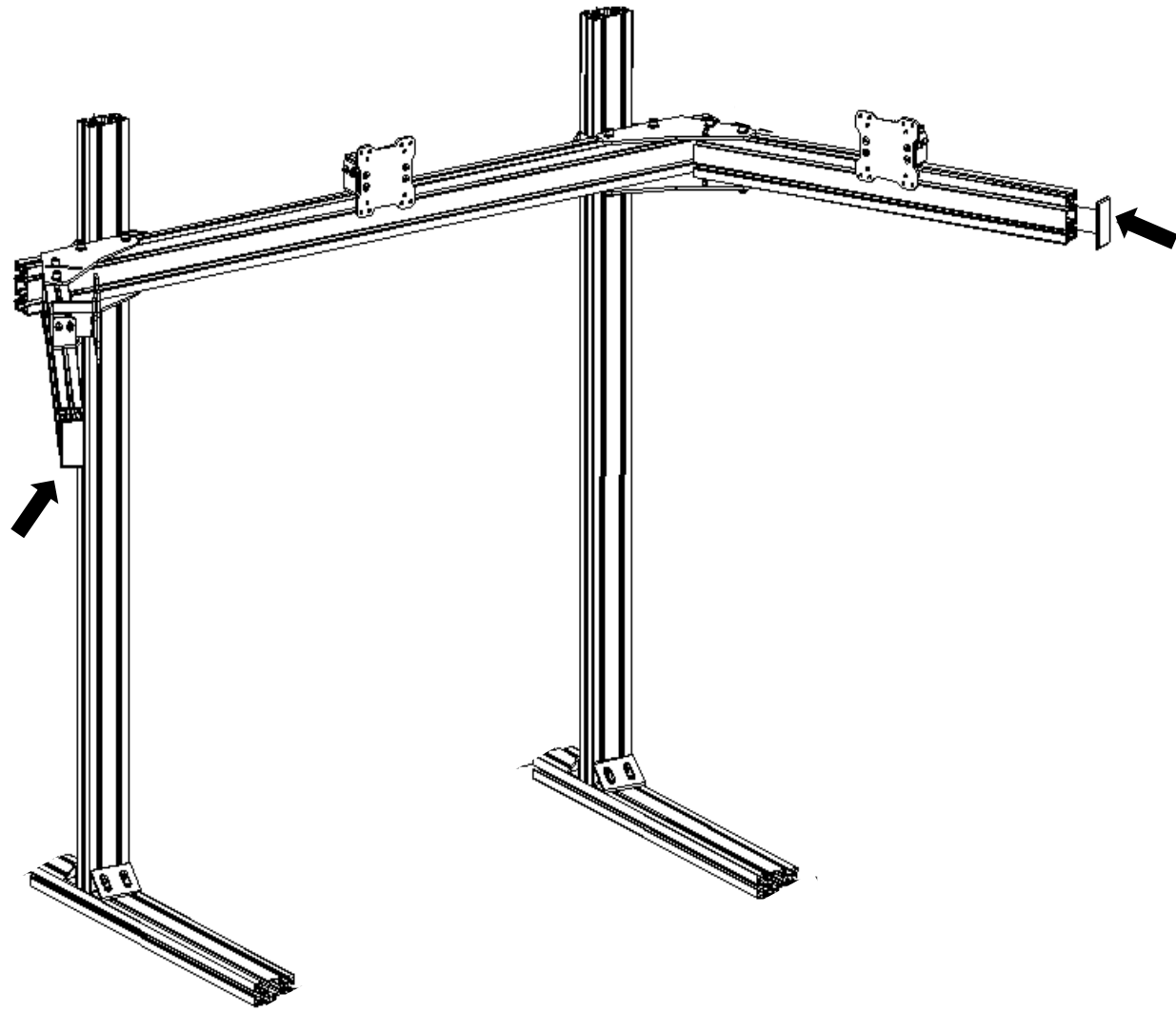
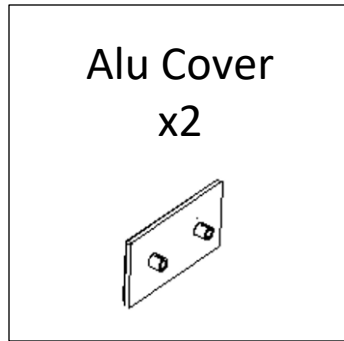
x2

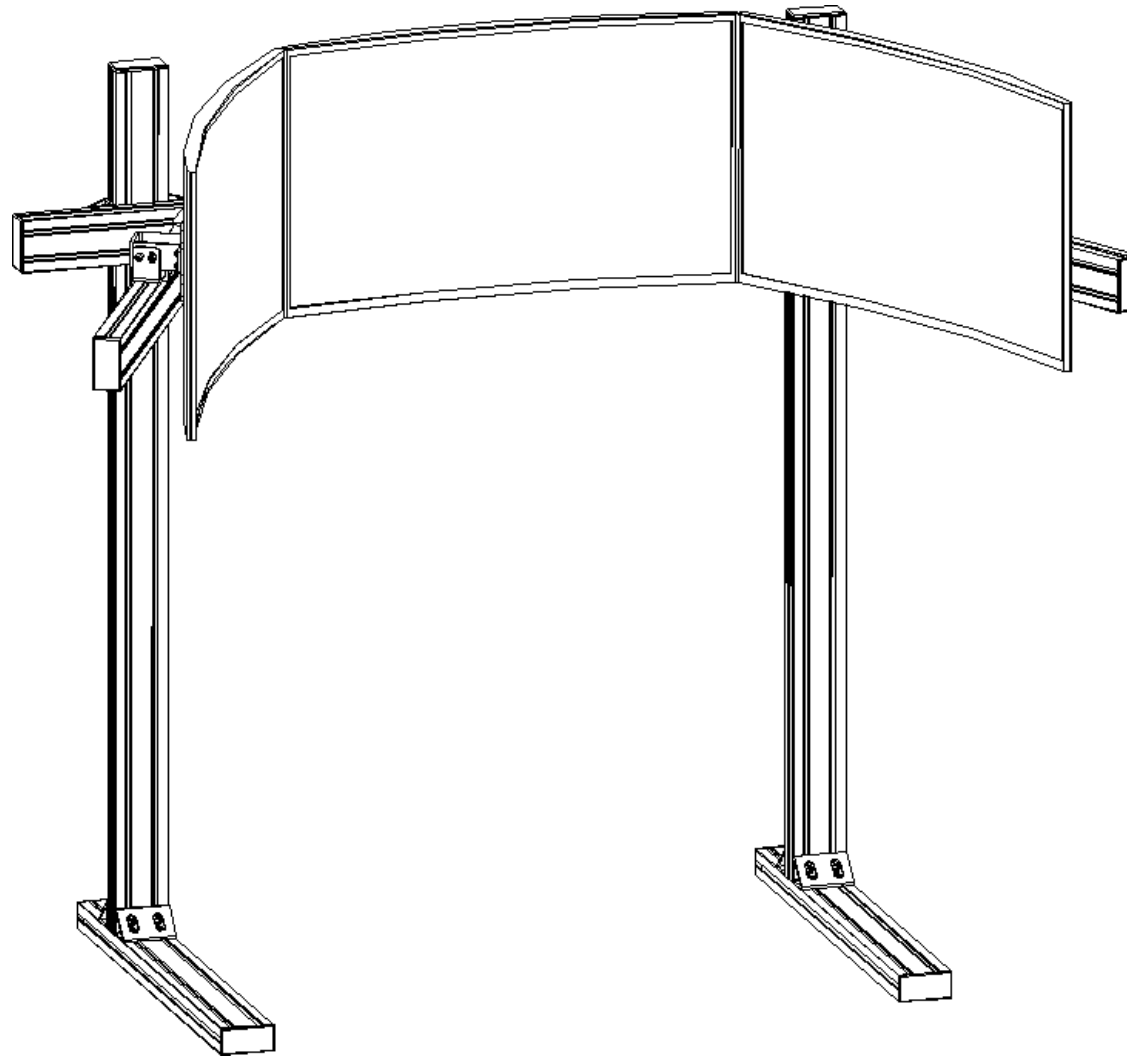


x2

- | | | |
|---|---|---|
| (M8x16)
x4 | (Spring 8)
x4 | (Flat 8)
x4 |
|  |  |  |
| | (M8 Nut)
x4 | |
| |  | |







“Congratulations on completing your rig assembly. If you have any questions or encounter any problems, please contact us for support!”