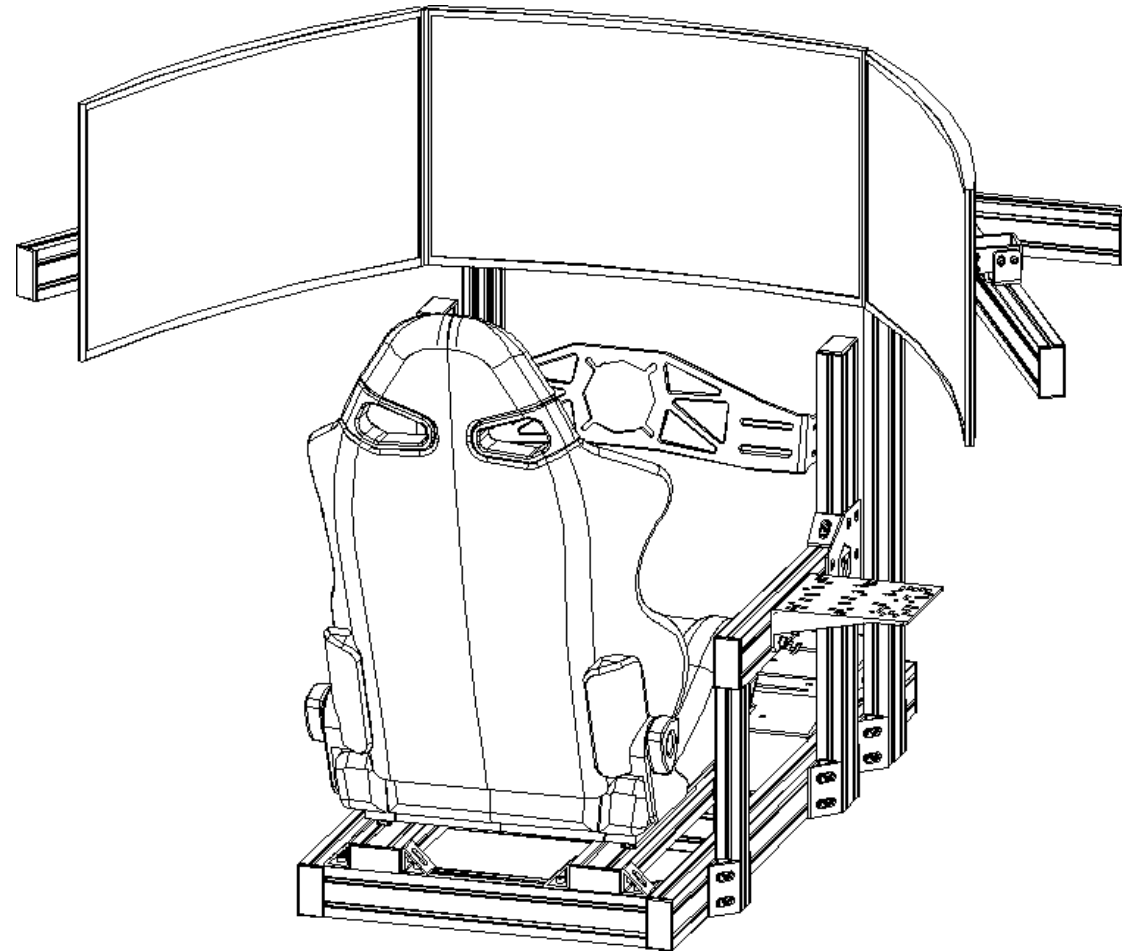


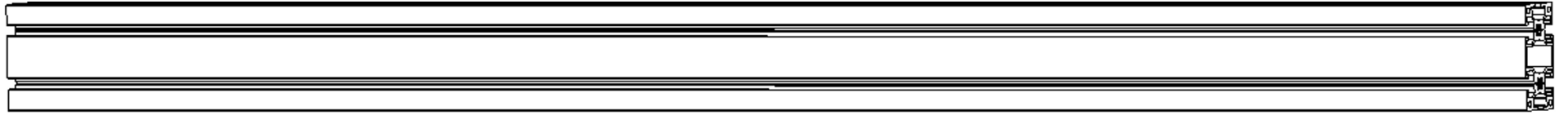


Quick installation guide VNM RIG-Mounted Triple Monitor Stand



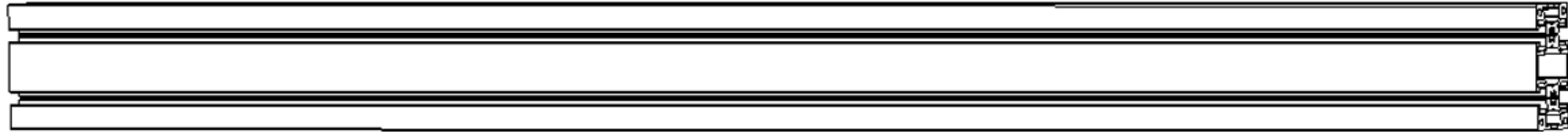
1

40x80x1400
x1



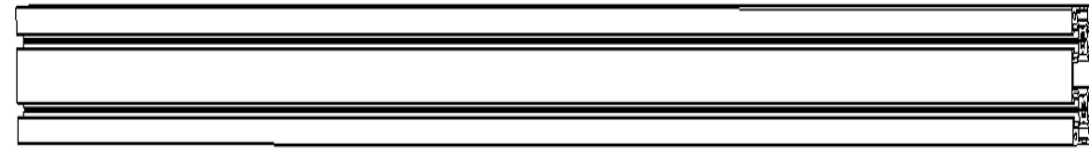
2

40x80x1300
x2



3

40x80x720
x2



Screen Mount
x3

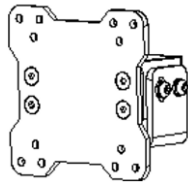
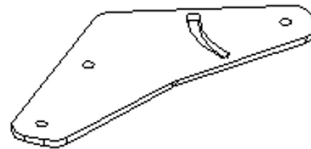
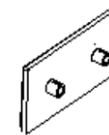


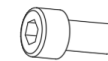
Plate Connector Alu
x4



Alu Cover
x6



M8x16
x54



Vesa Extended
x12



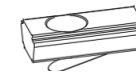
4080 Conner Alu
x8



Flat, Spring M8
x22

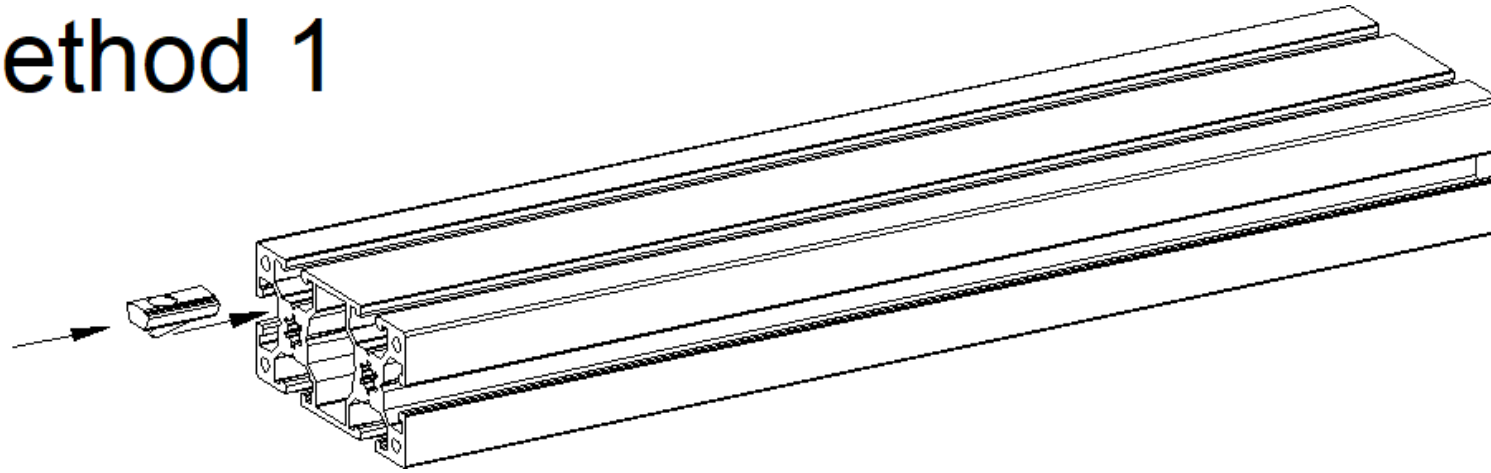


M8 Slider
x54

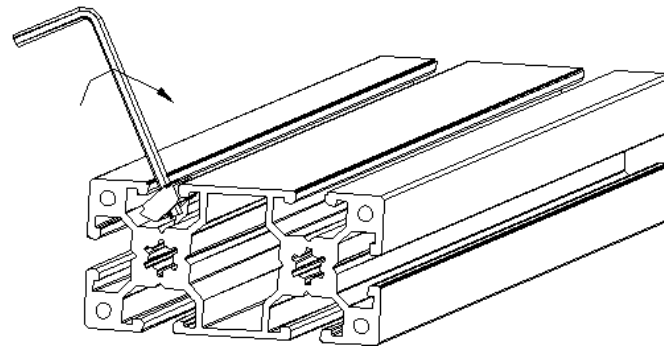


If you are missing any parts, please contact our customer support team who can assist!

Method 1



Method 2



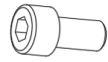
4080 Conner Alu

x4



M8x16

x8

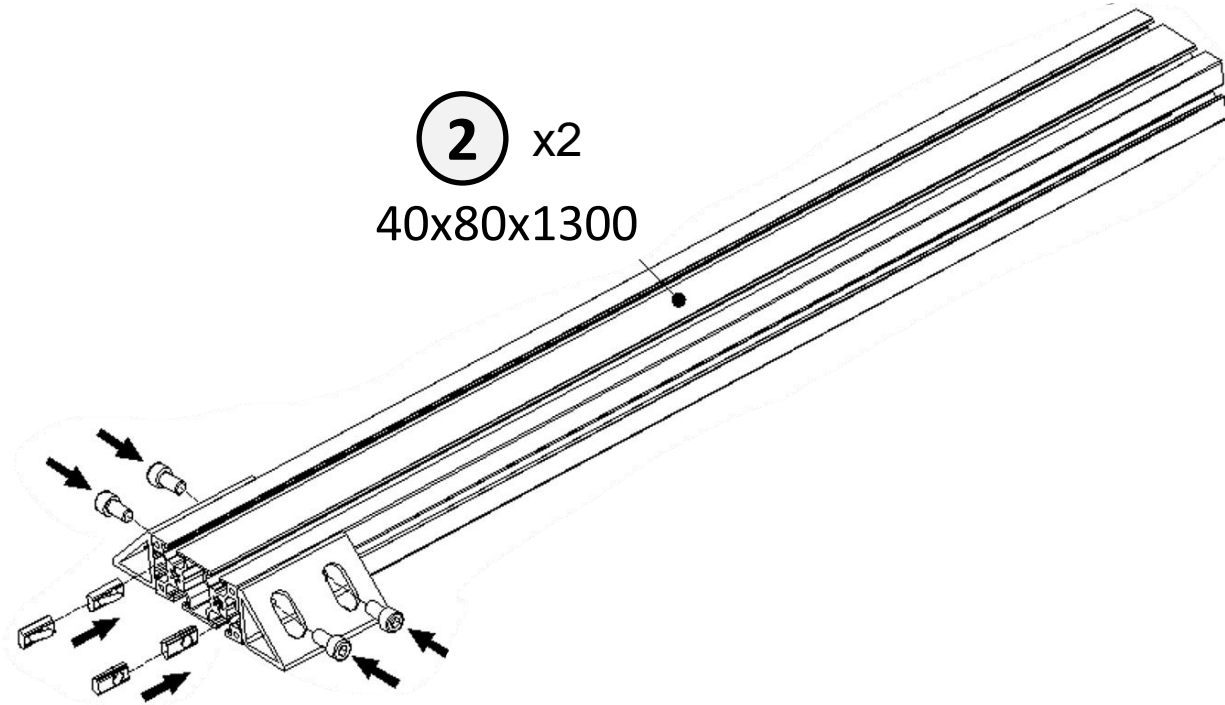


M8 Slider

x8



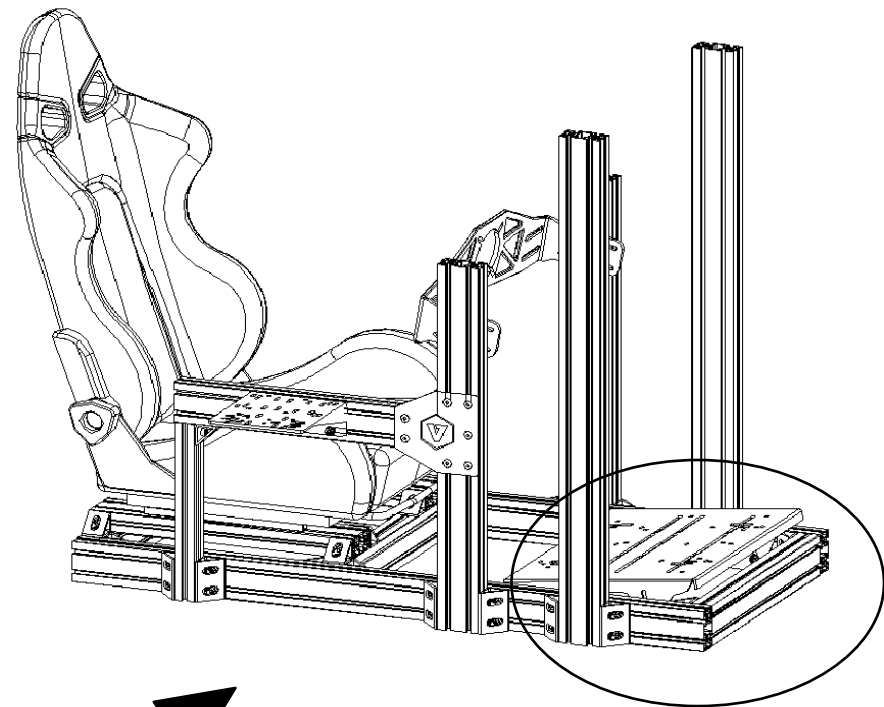
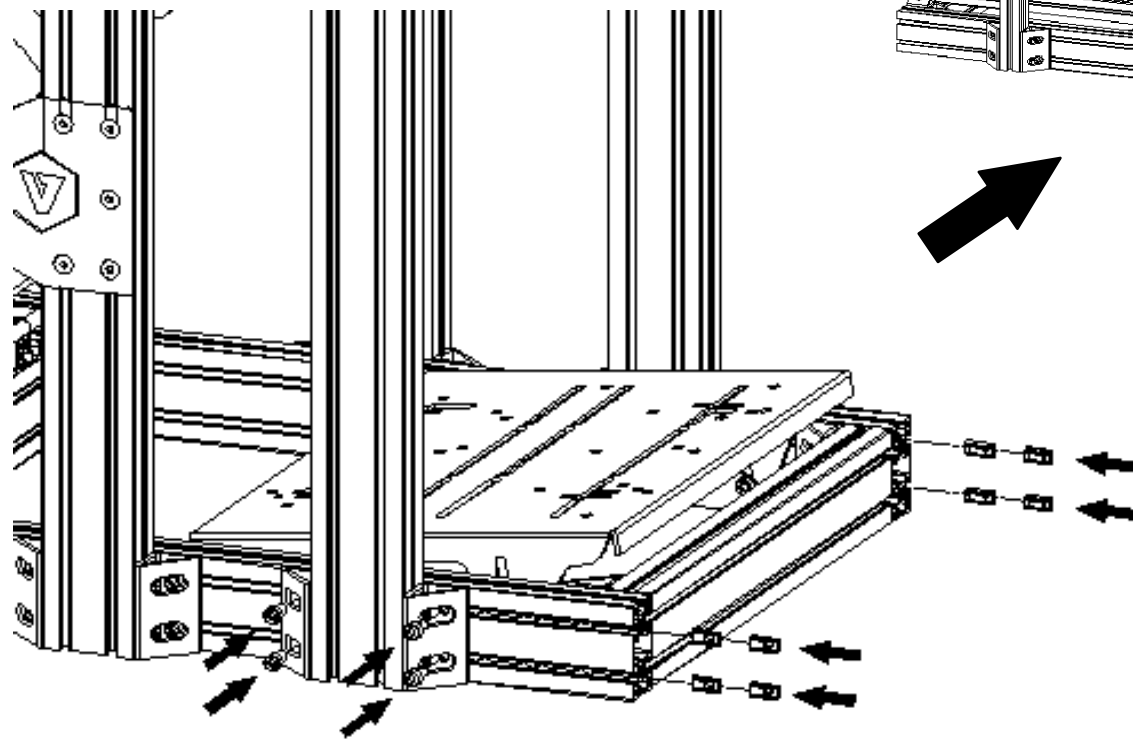
② x2
40x80x1300



(M8x16)
x8



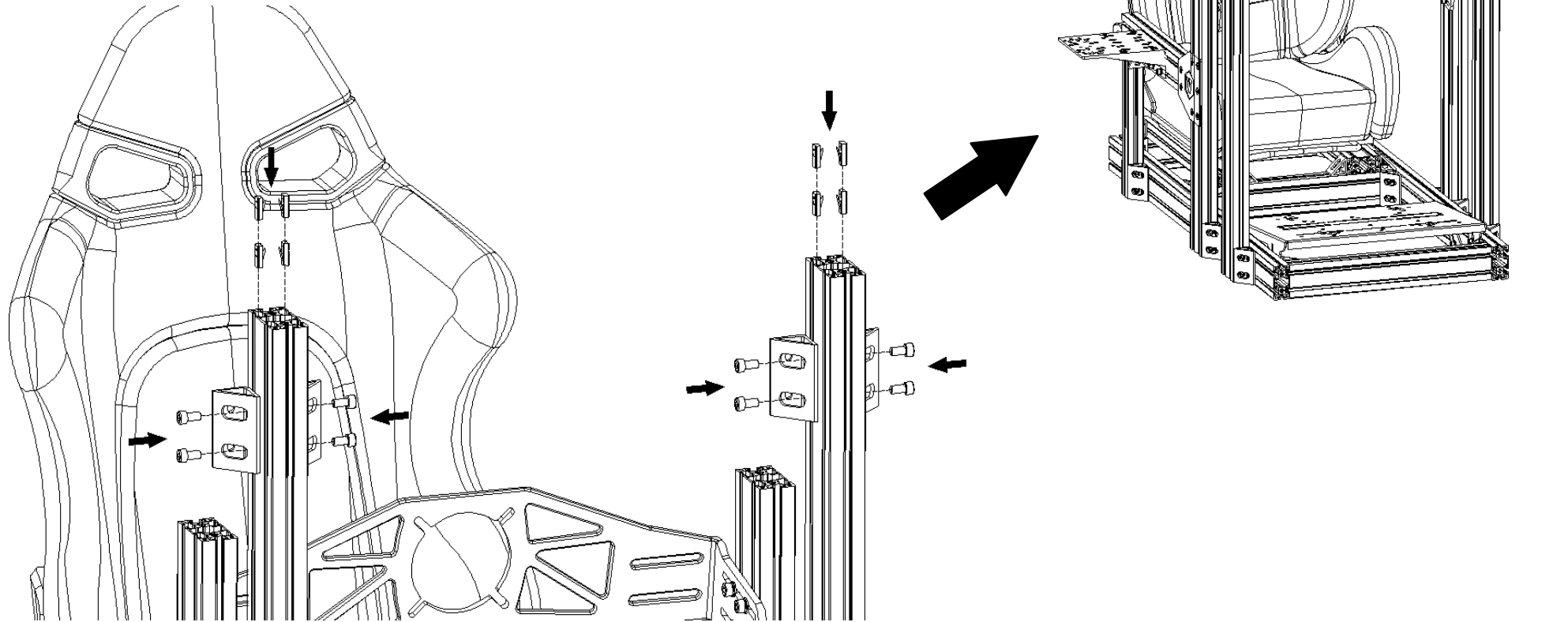
(M8 Nut)
x8



(M8x16)
x8



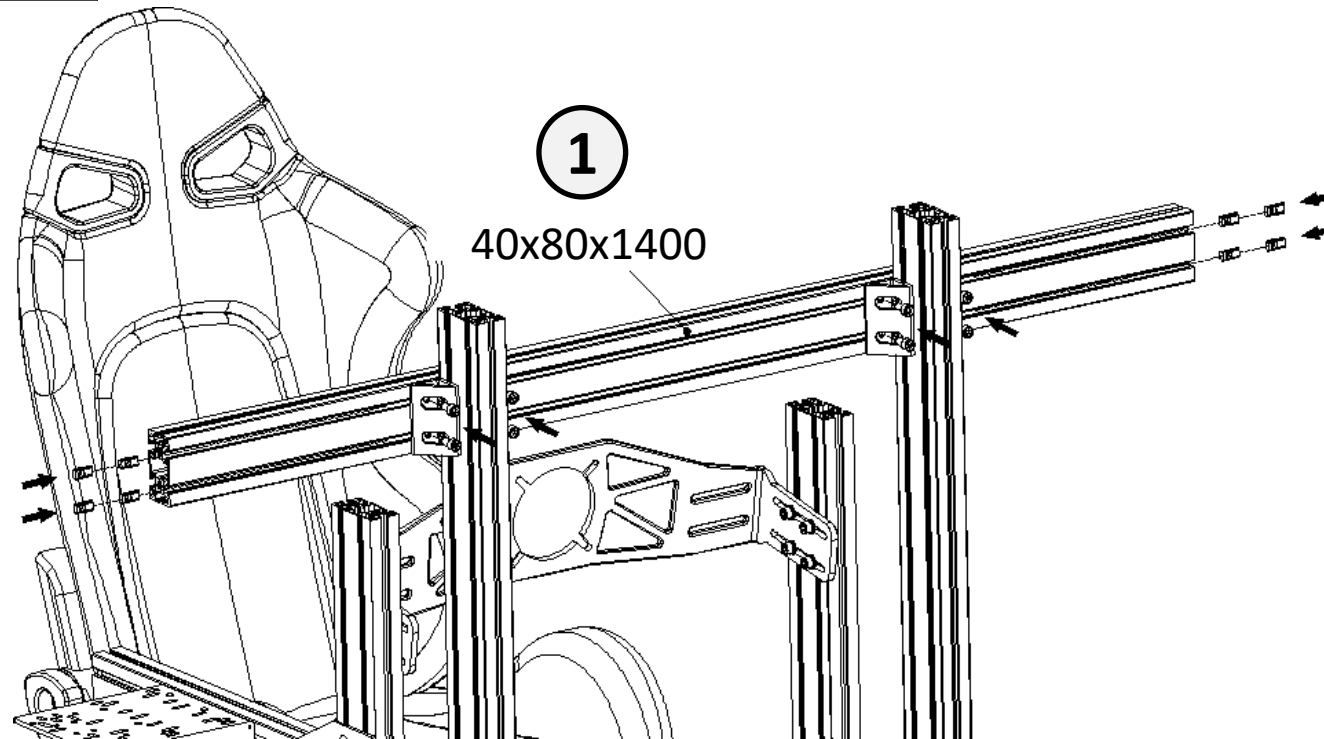
(M8 Nut)
x8







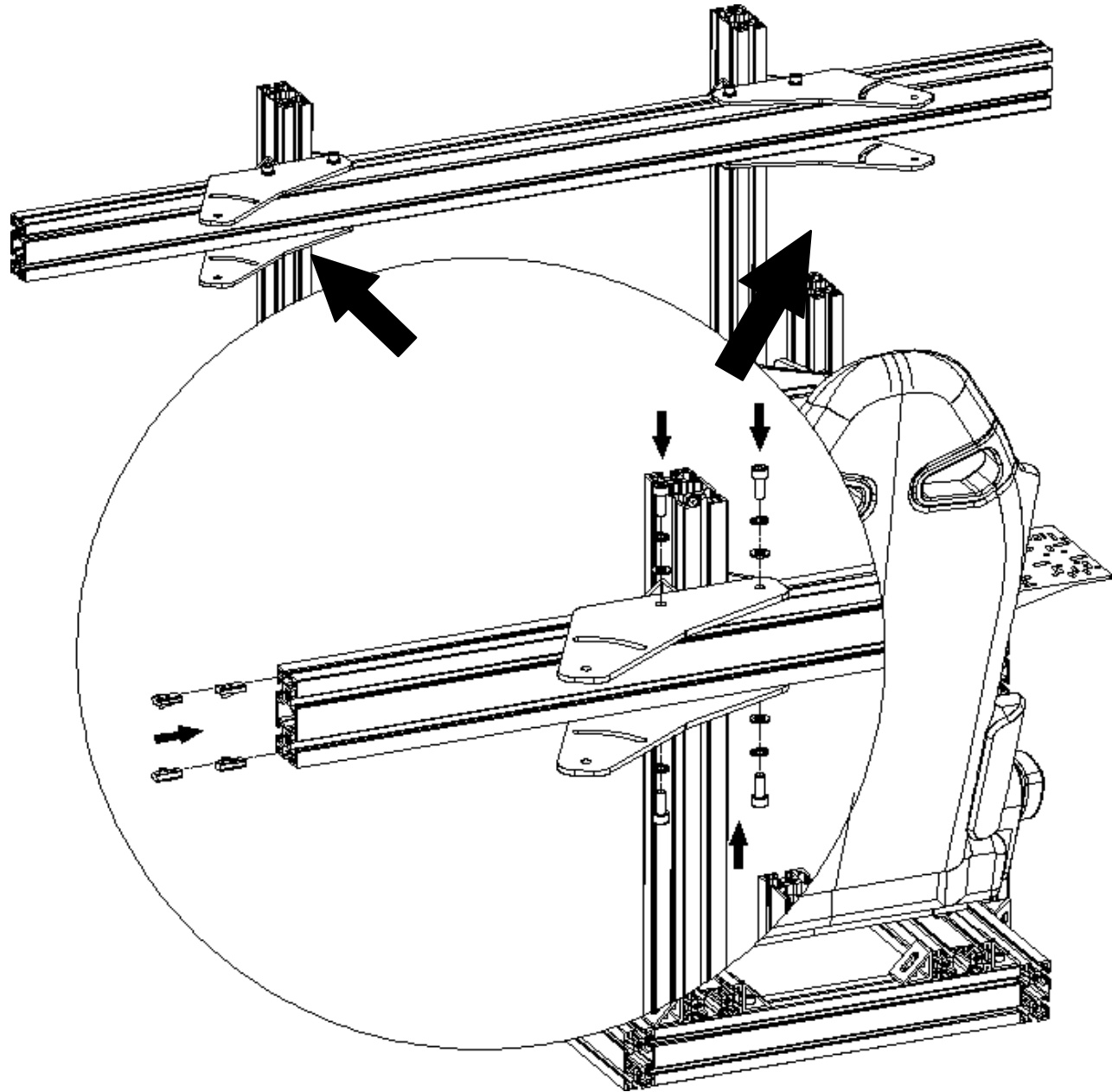
(M8x16)
x8

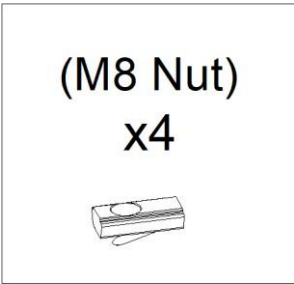


(M8 Nut)
x8



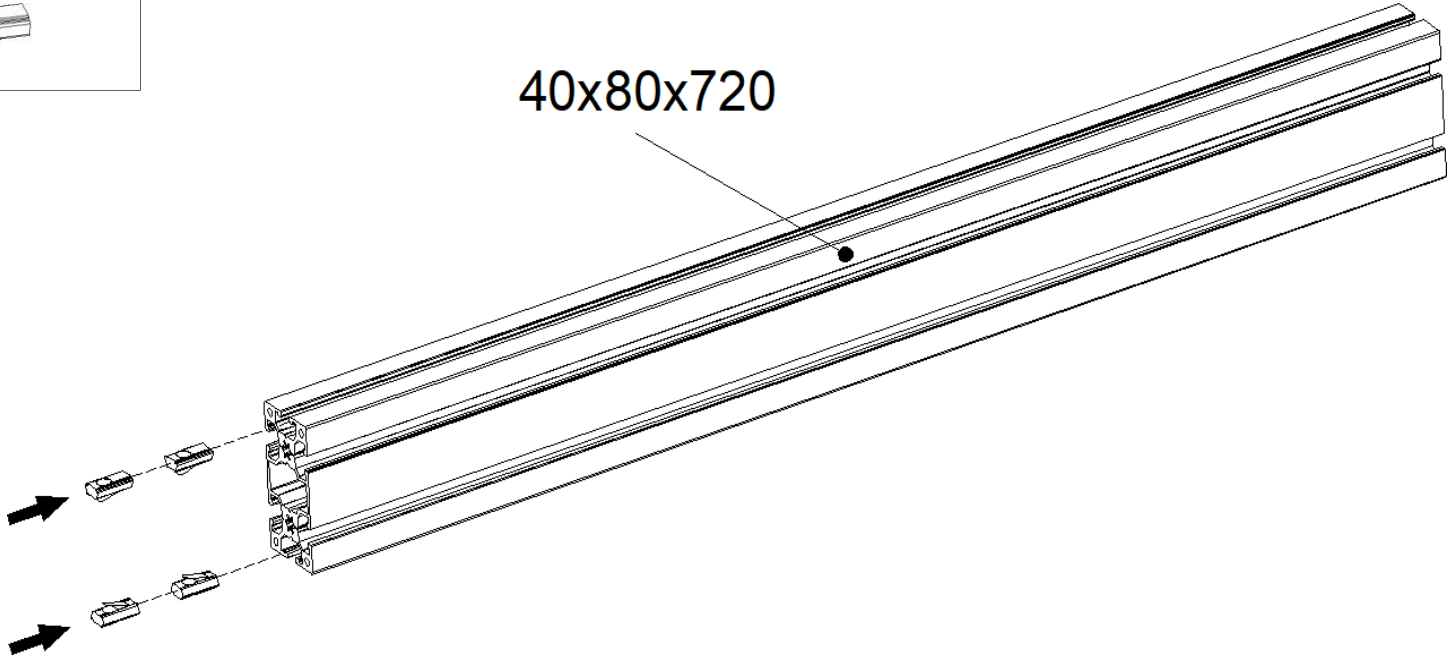
(Flat 8) x8	(M8 Nut) x8
	
(M8x16) x8	(Spring 8) x8
	






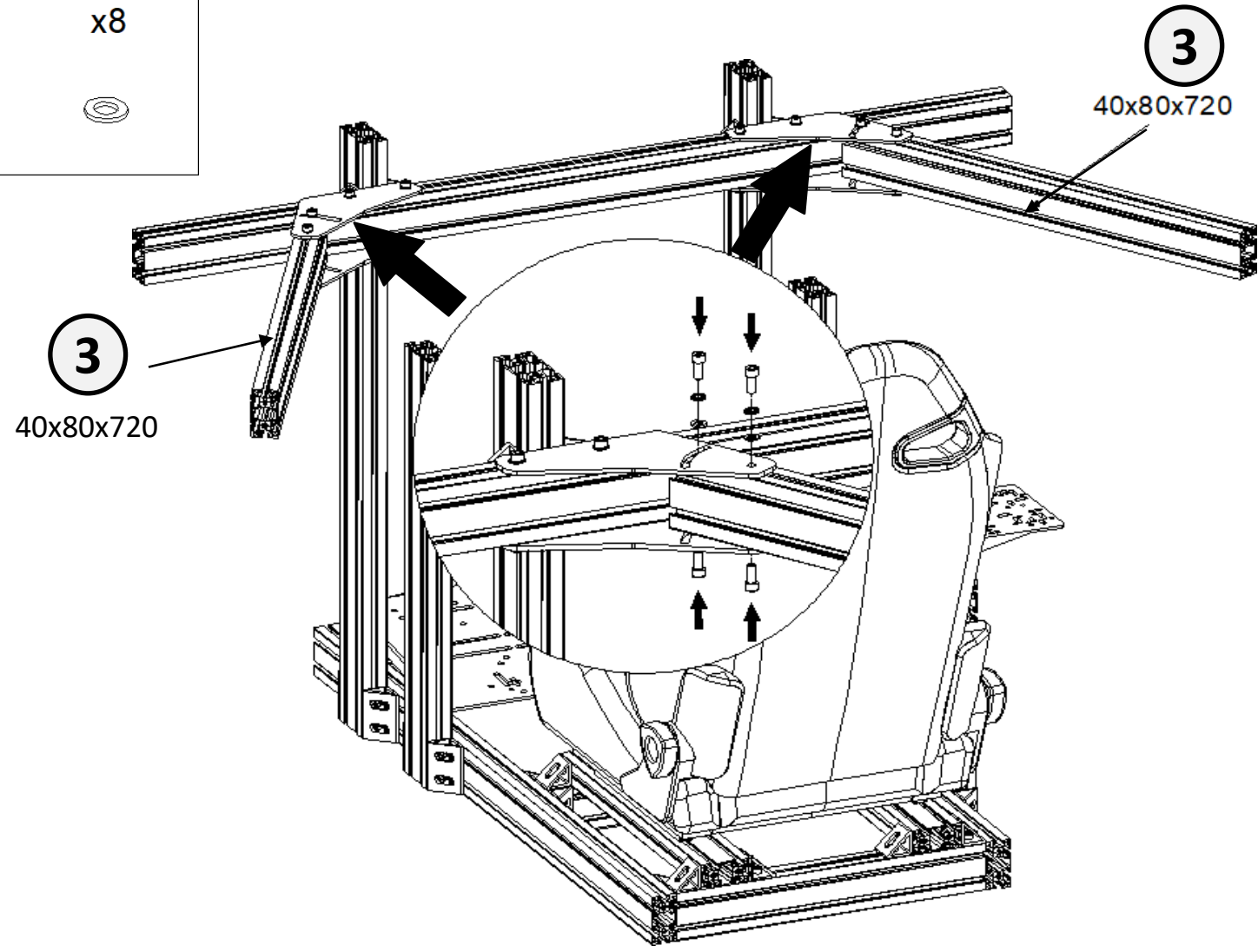


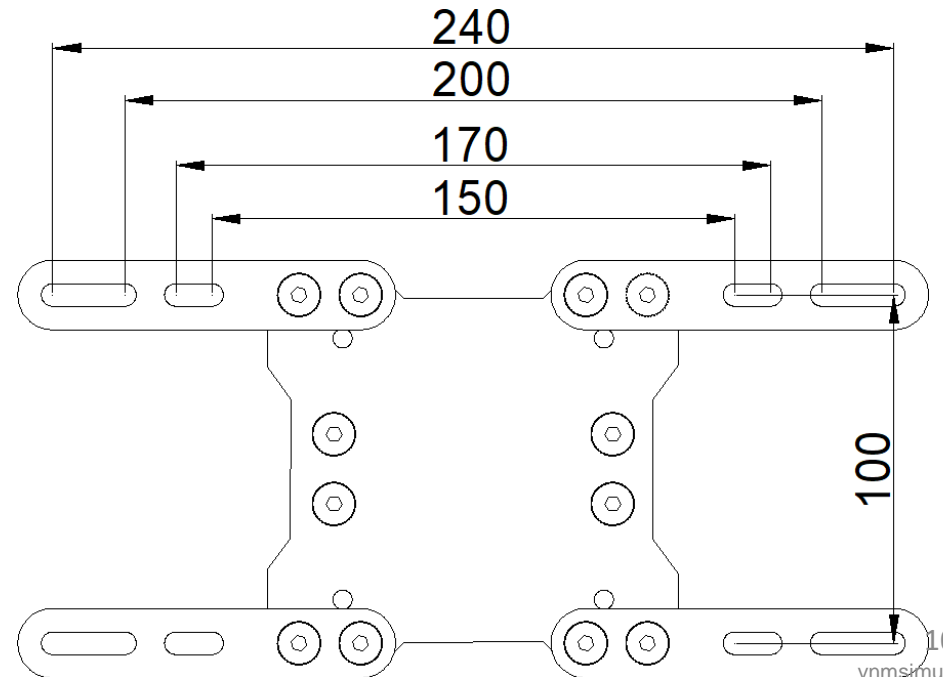
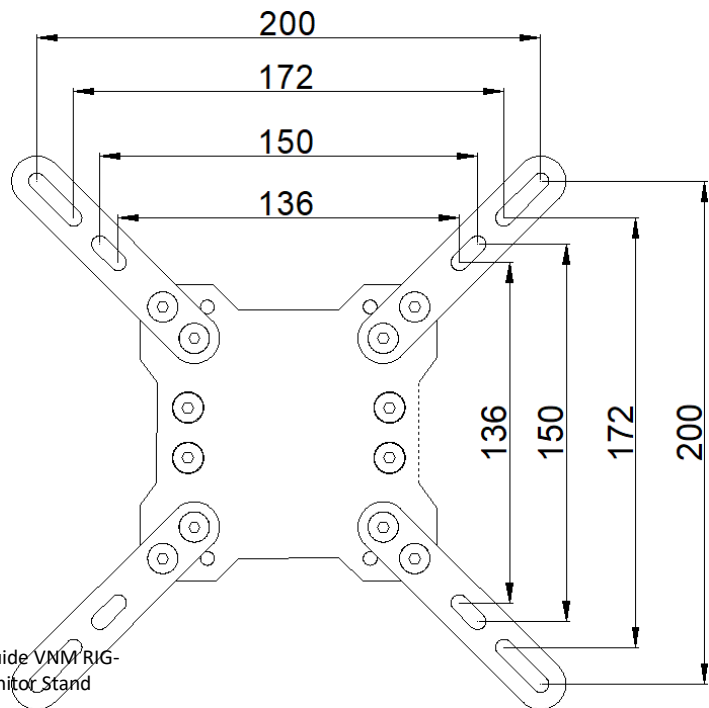
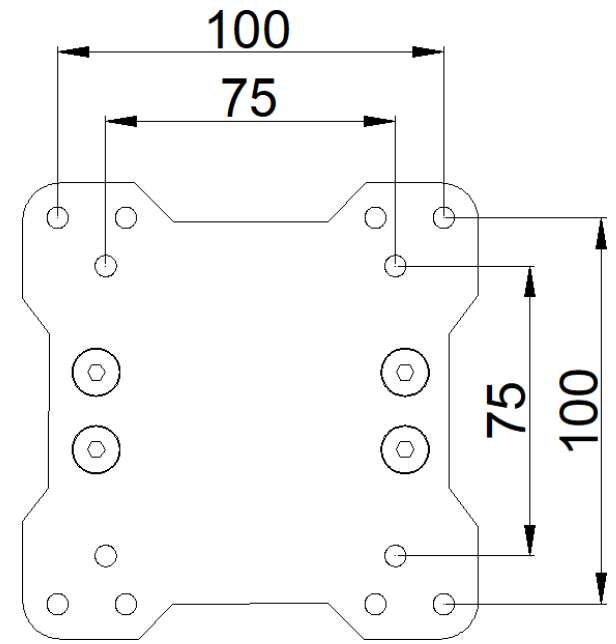
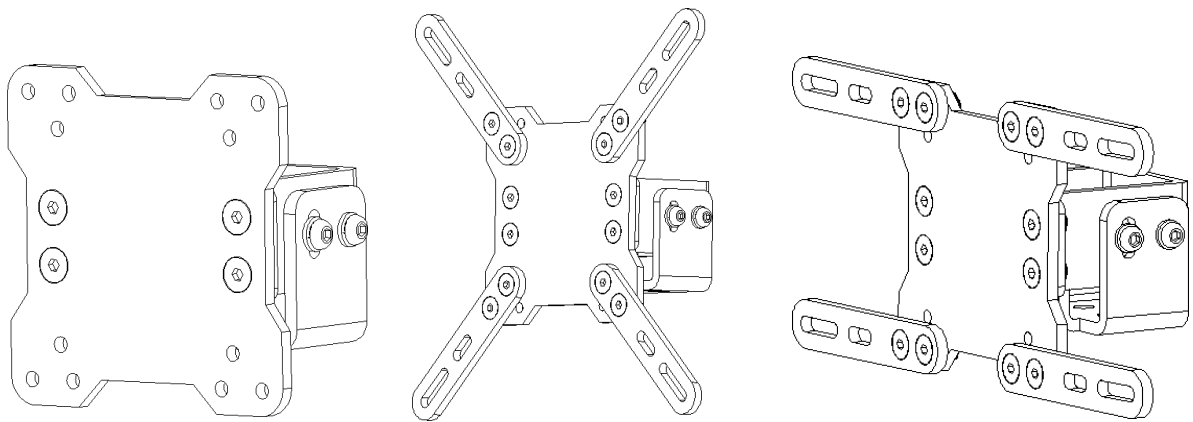
③ x2

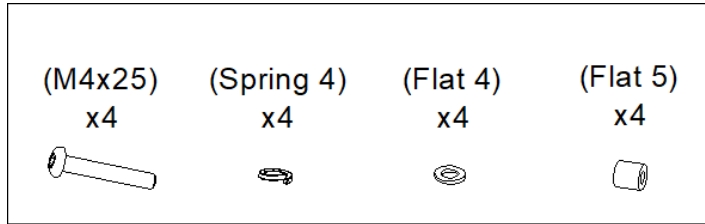
40x80x720



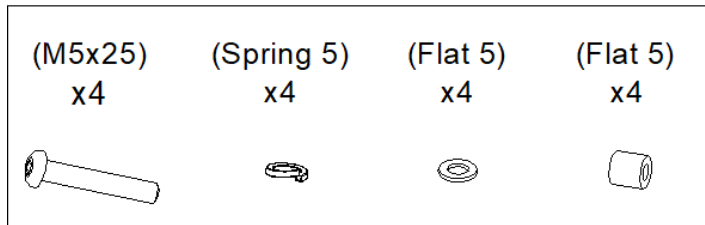
(M8x16) x8	(Spring 8) x8	(Flat 8) x8
		



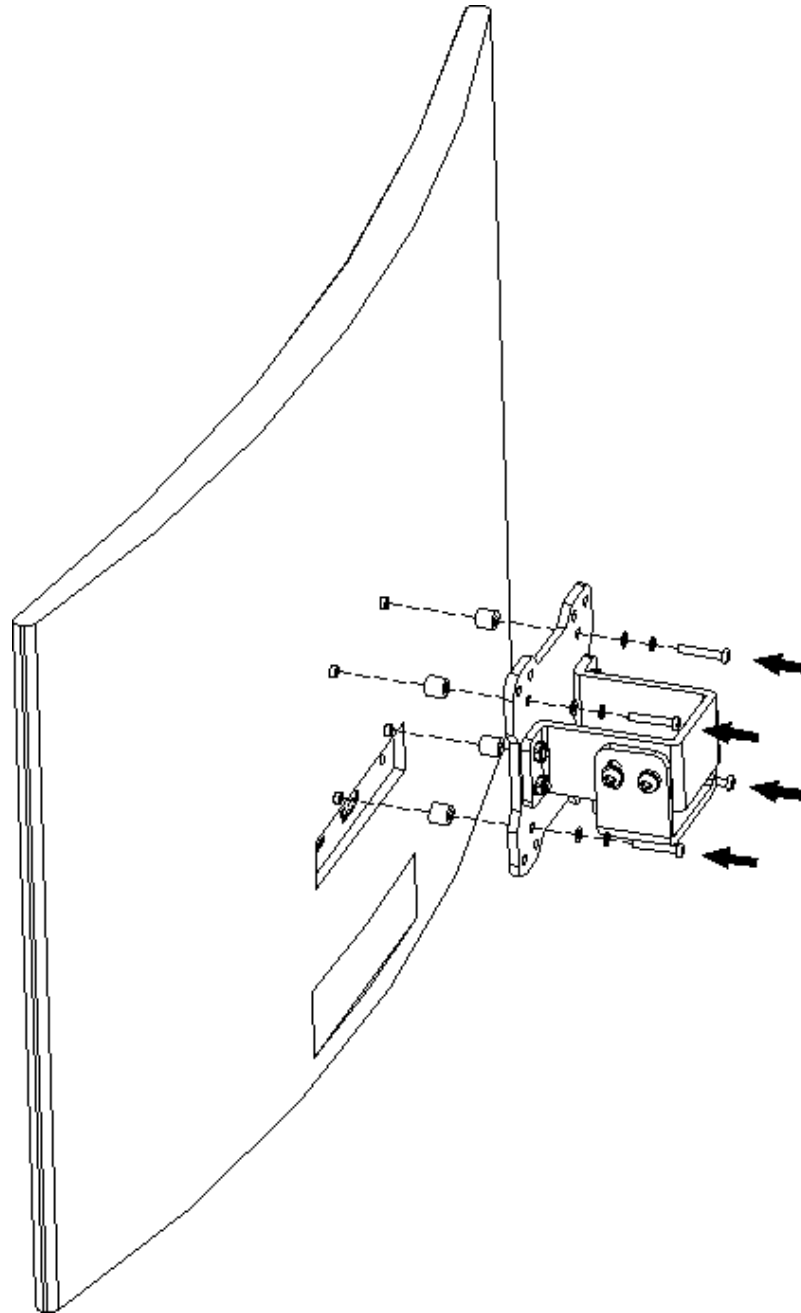




Or

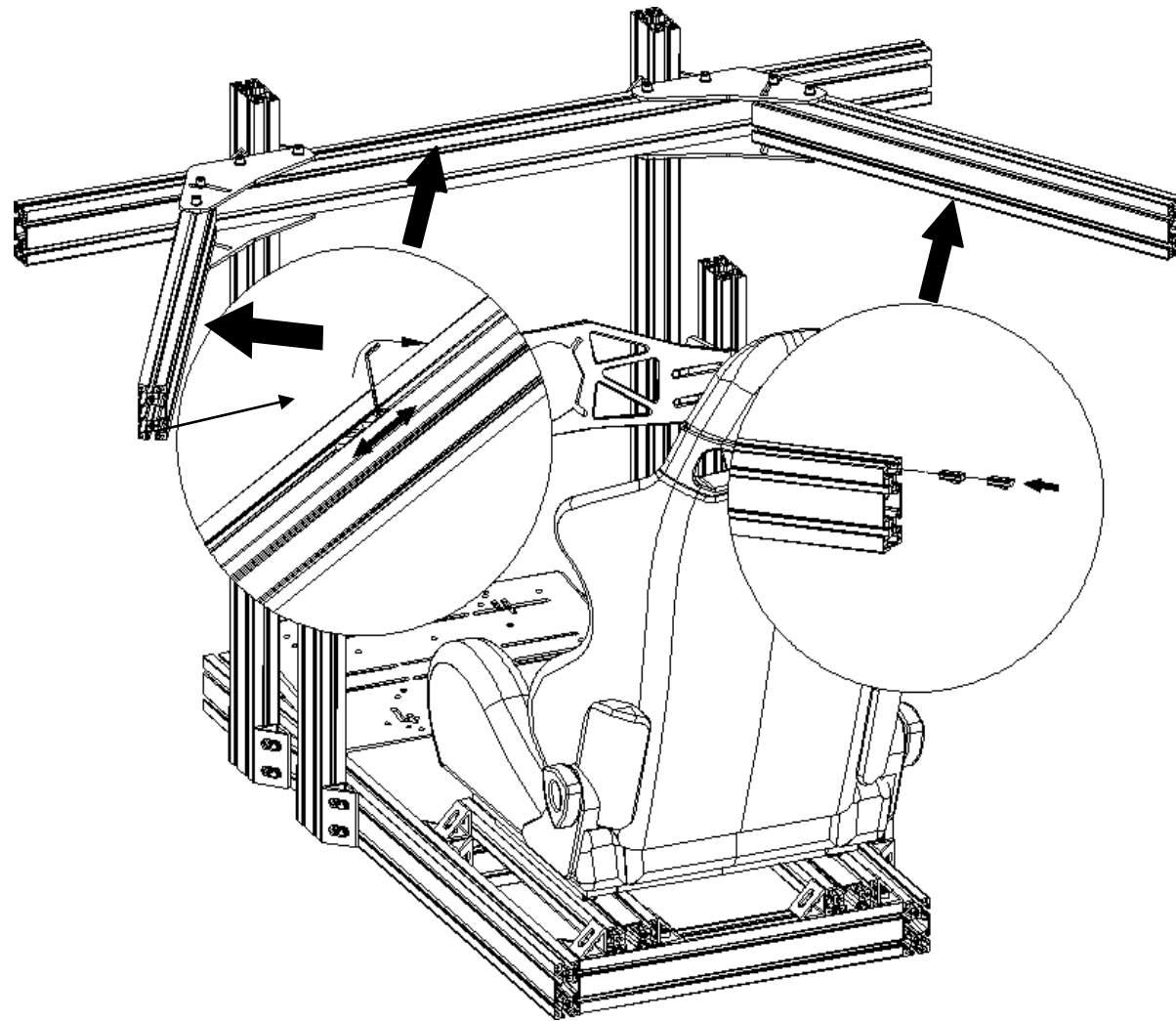


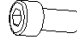


x3

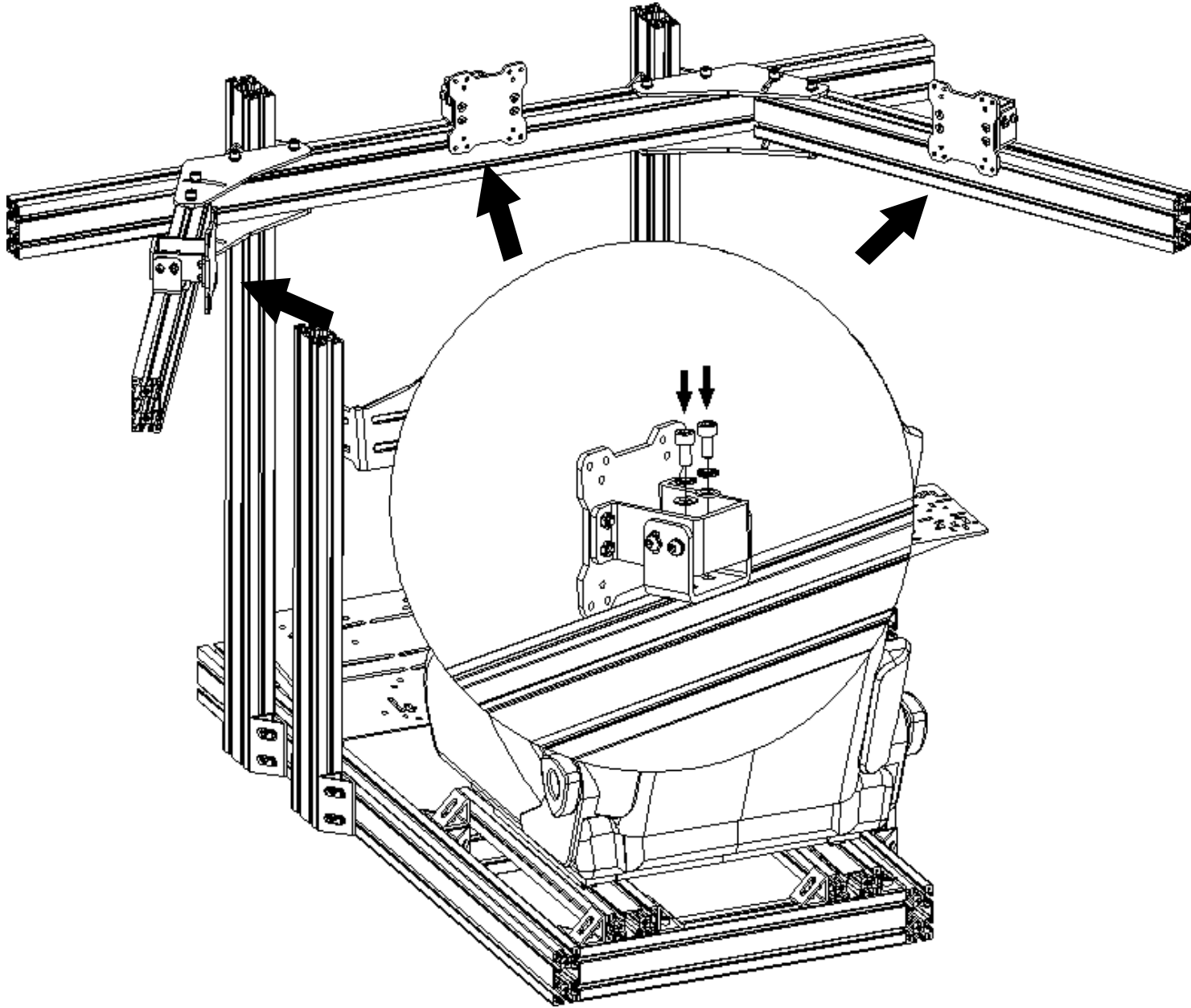


x3

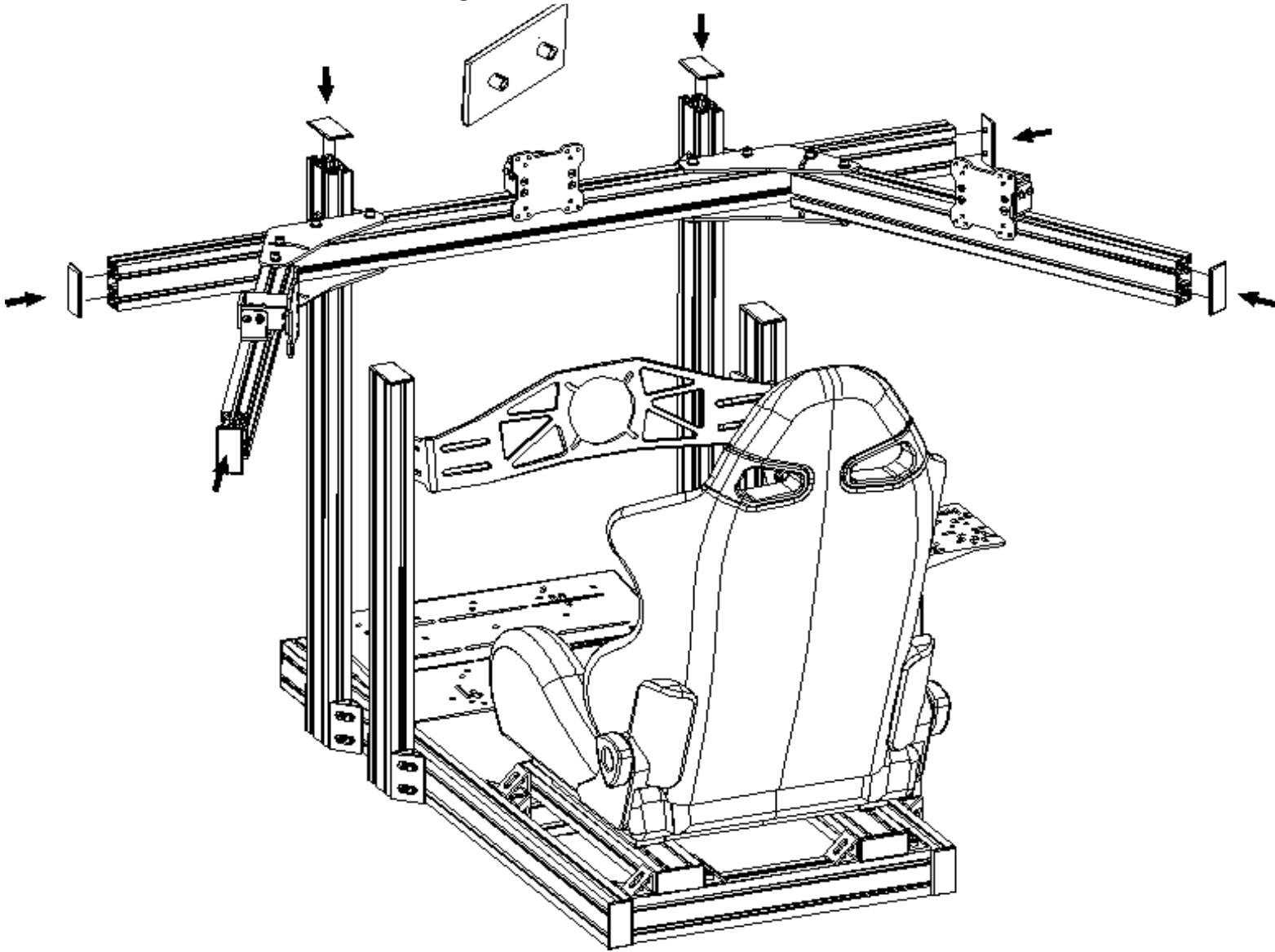
(M8 Nut)
x6

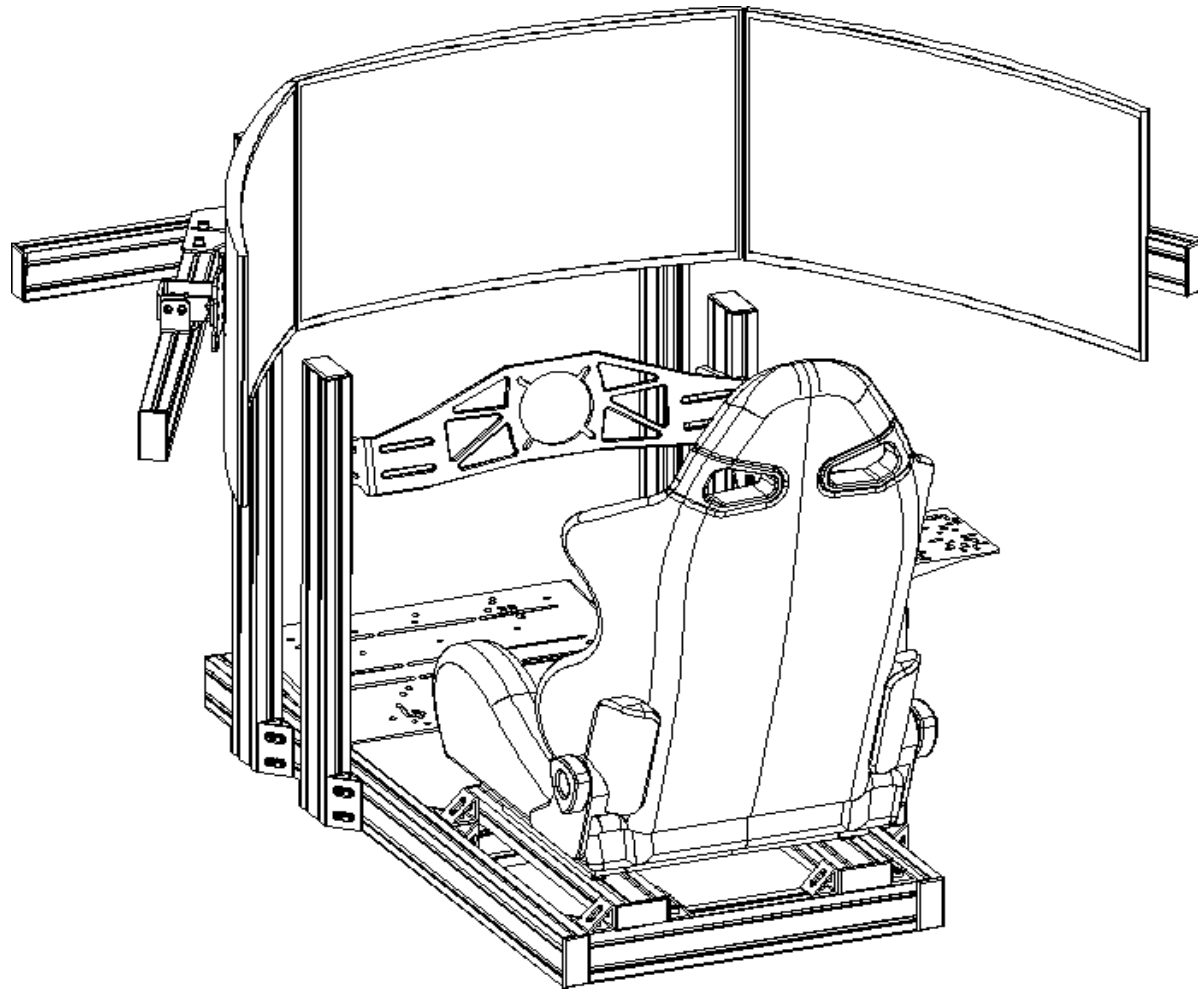


- | | | |
|---|---|---|
| (M8x16)
x6 | (Spring 8)
x6 | (Flat 8)
x6 |
|  |  |  |



Alu Cover
x6





“Congratulations on completing your rig assembly. If you have any questions or encounter any problems, please contact us for support!”