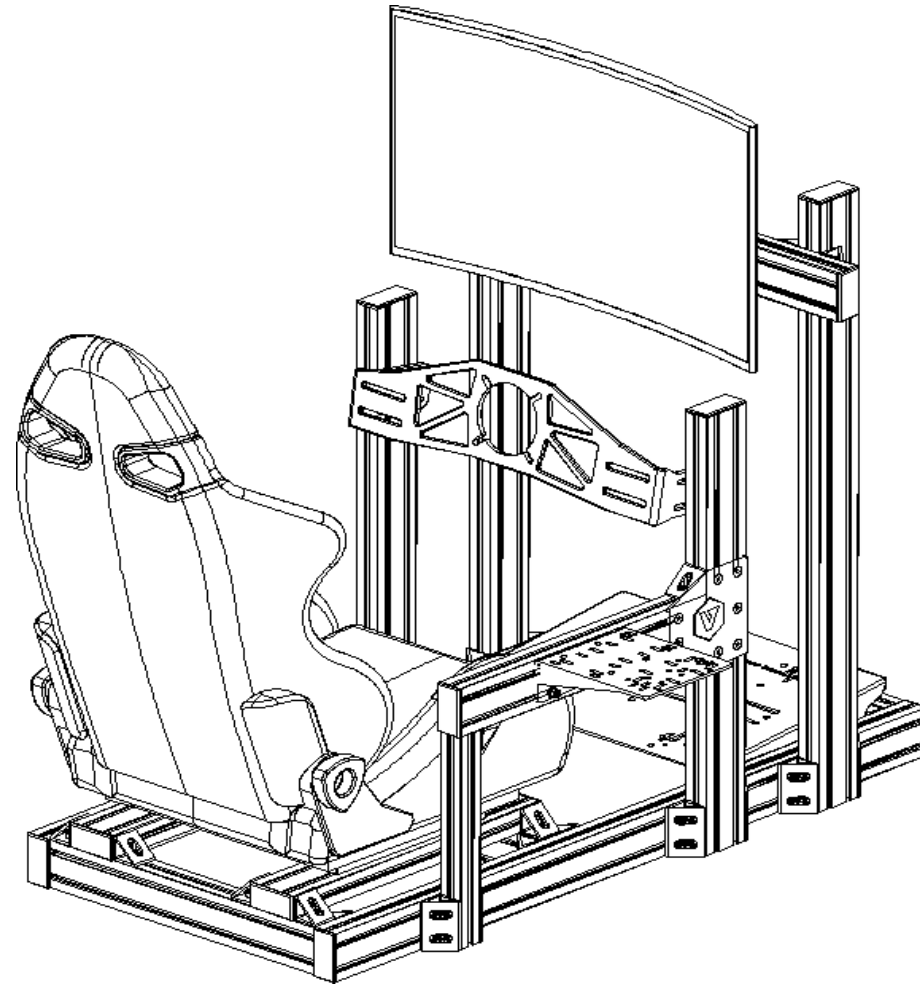




Quick installation guide

VNM RIG-Mounted Single Monitor Stand



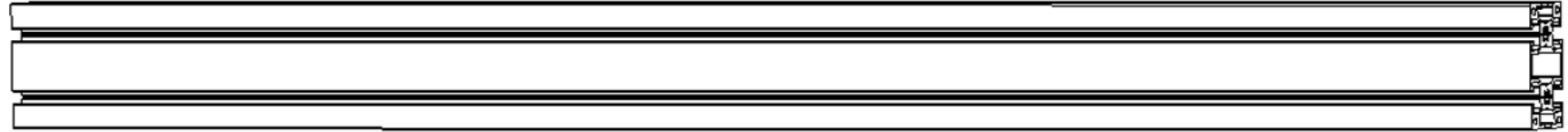
1

40x80x1000
x2

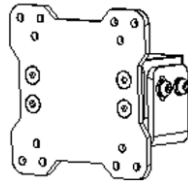


2

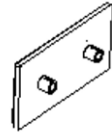
40x80x800
x1



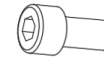
Screen Mount
x1



Alu Cover
x4



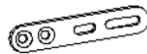
M8x16
x34



Flat, Spring M8
x2



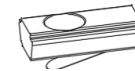
Vesa Extended
x4



4080 Conner Alu
x8

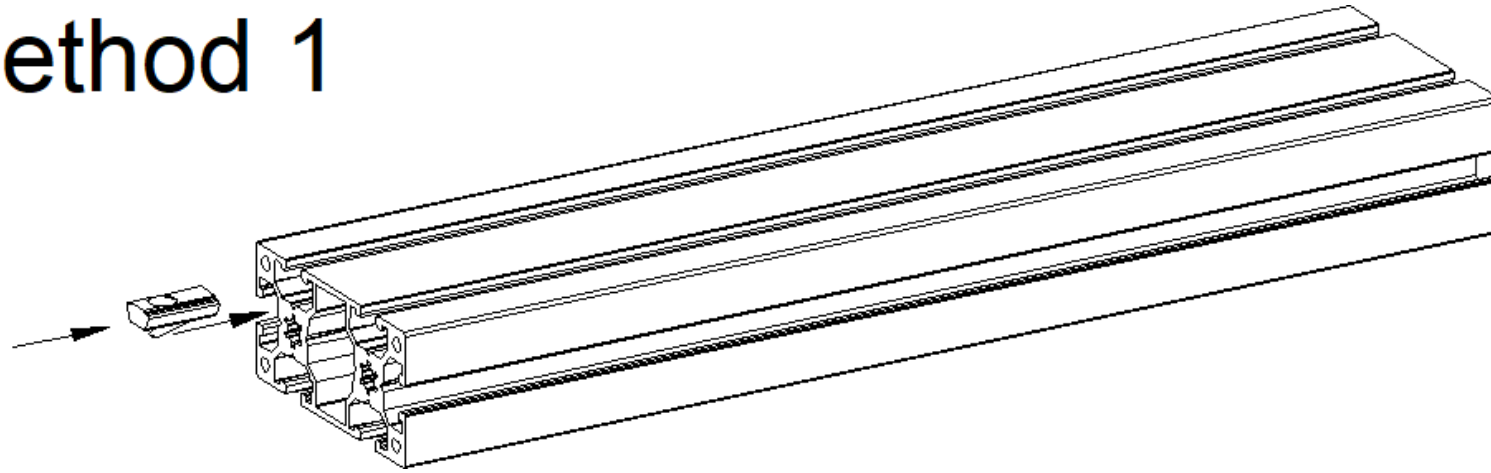


M8 Slider
x34

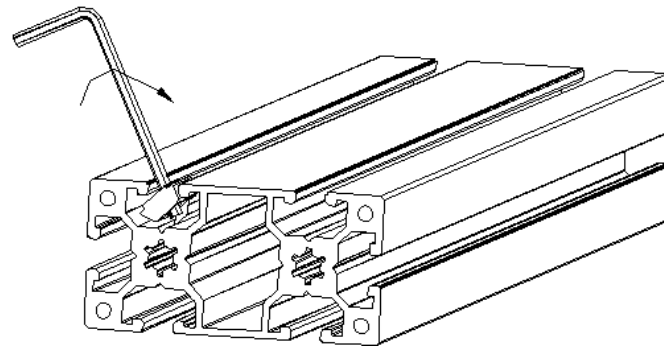


If you are missing any parts, please contact our customer support team who can assist!

Method 1



Method 2



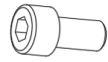
4080 Conner Alu

x4



M8x16

x8



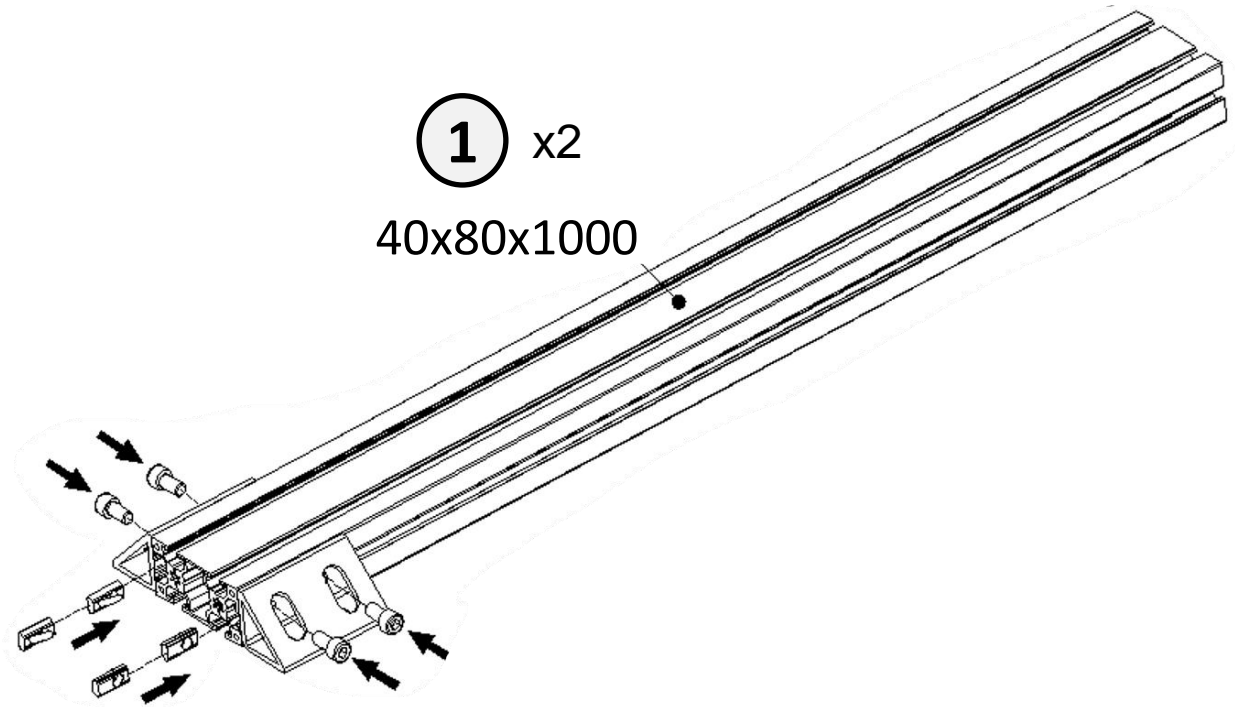
M8 Slider

x8



① x2

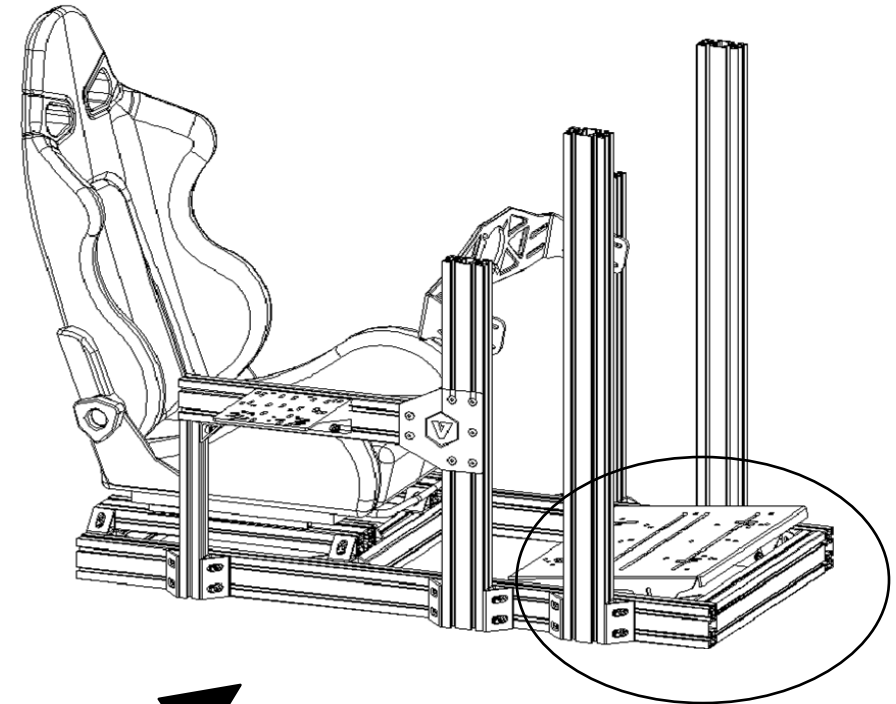
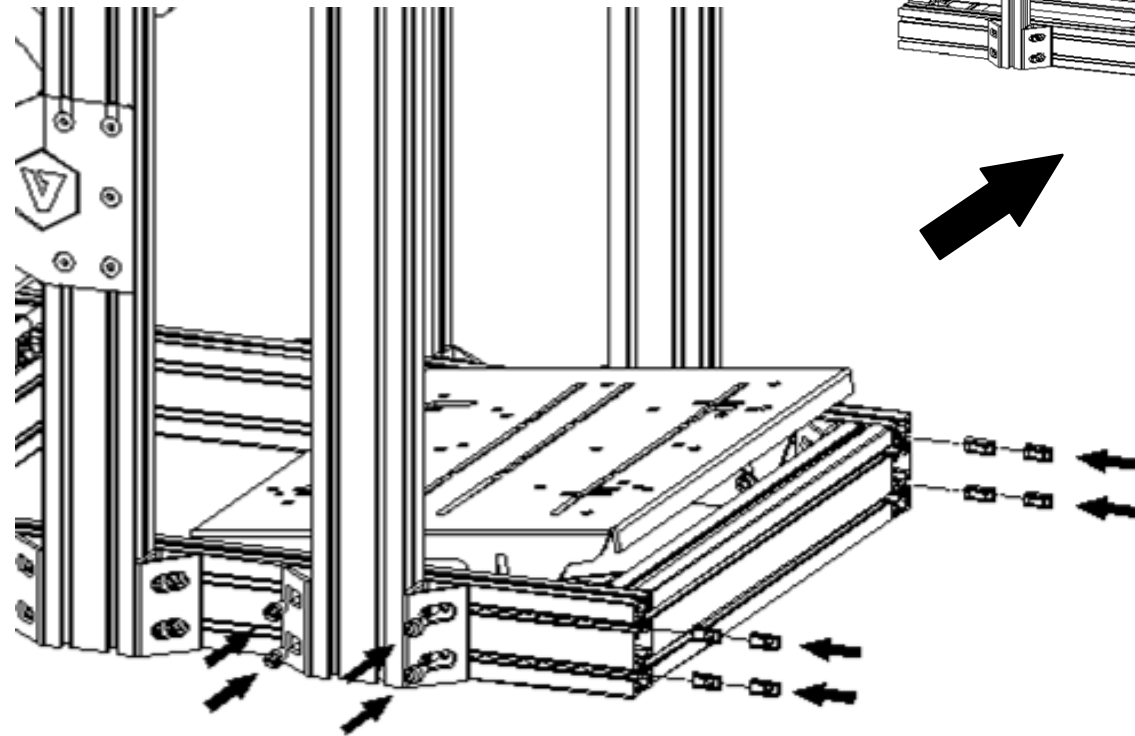
40x80x1000



(M8x16)
x8



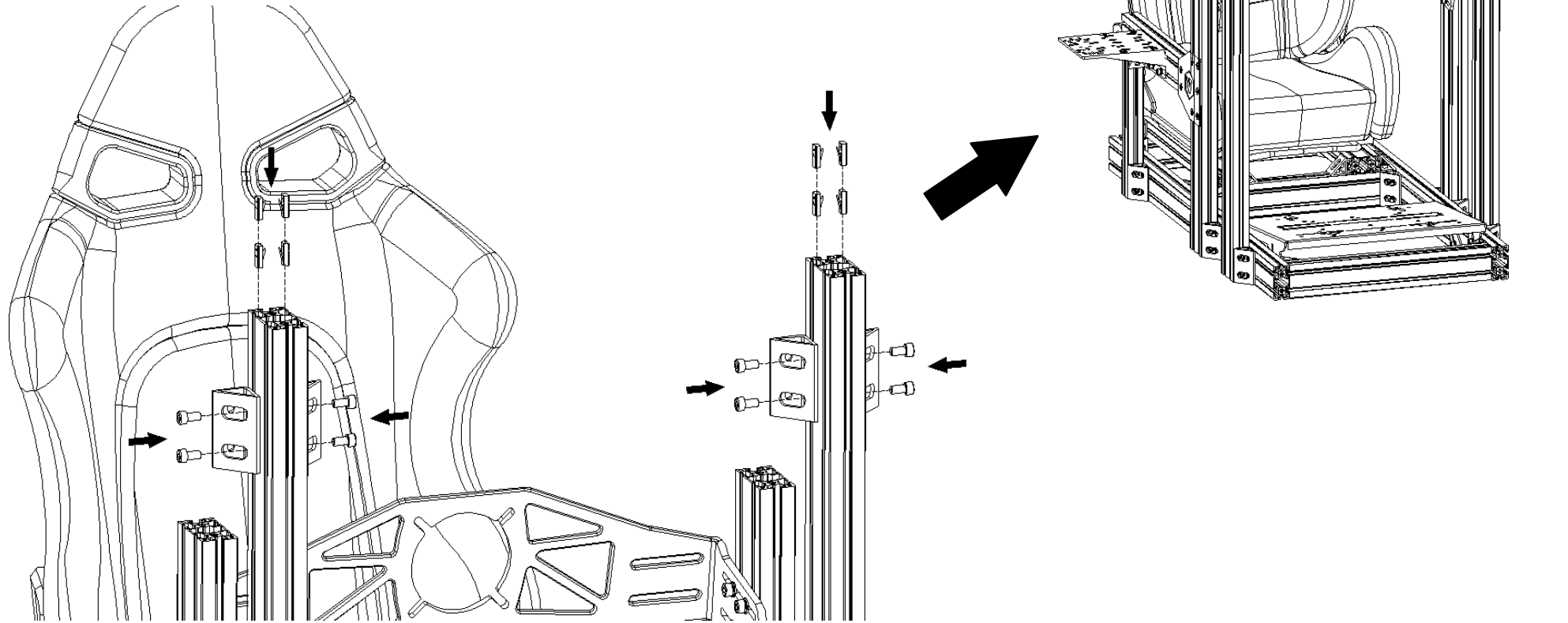
(M8 Nut)
x8



(M8x16)
x8



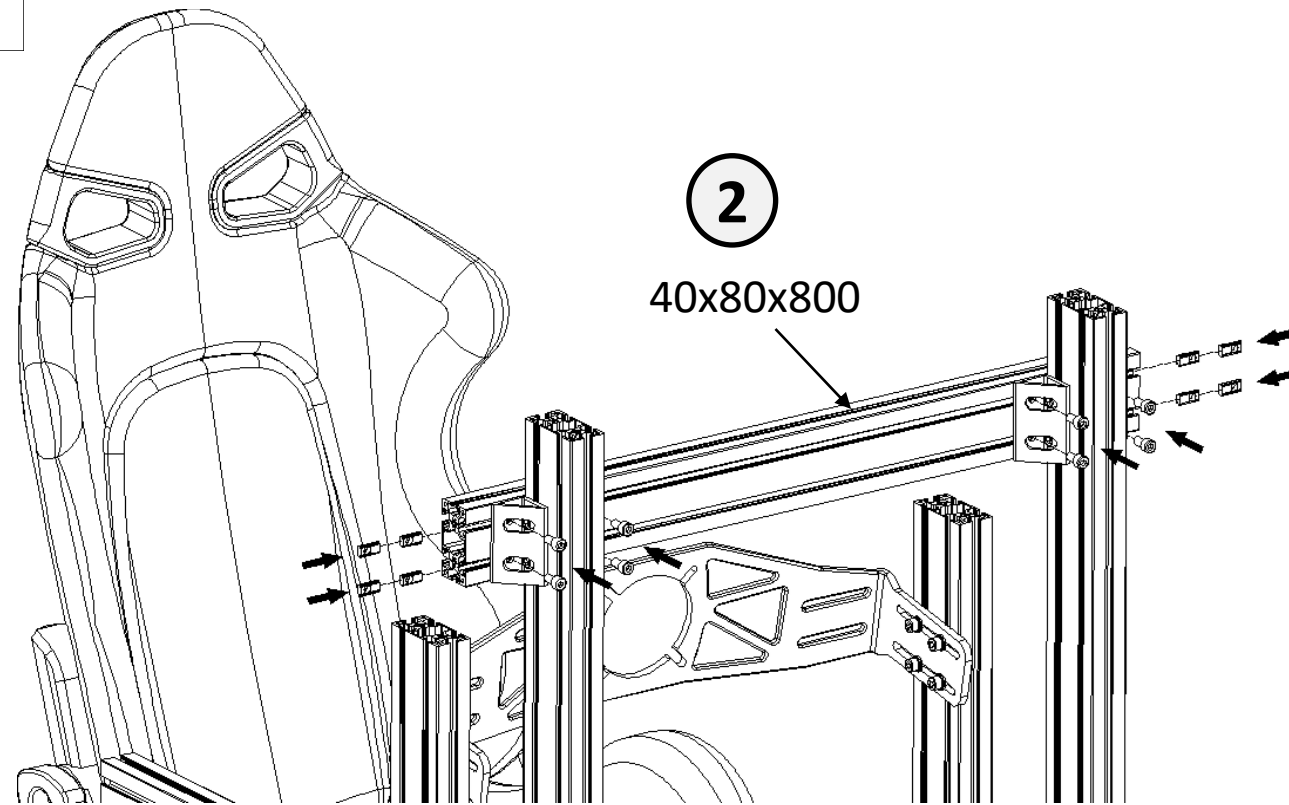
(M8 Nut)
x8

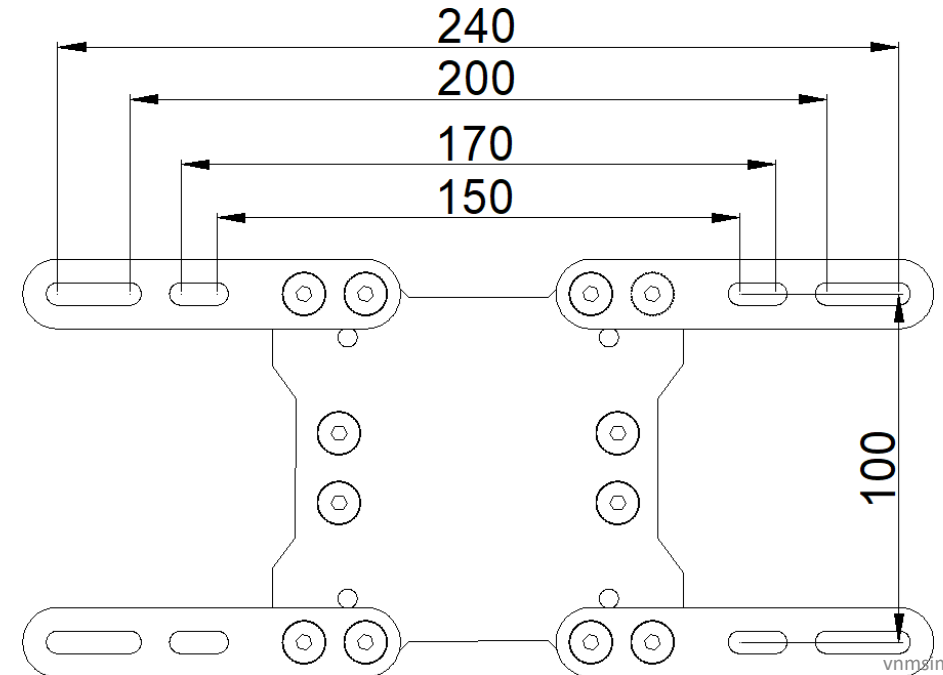
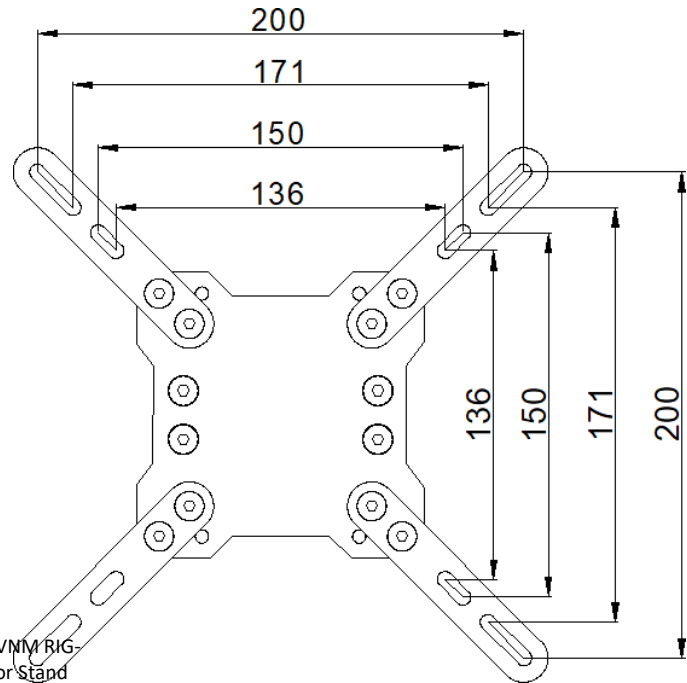
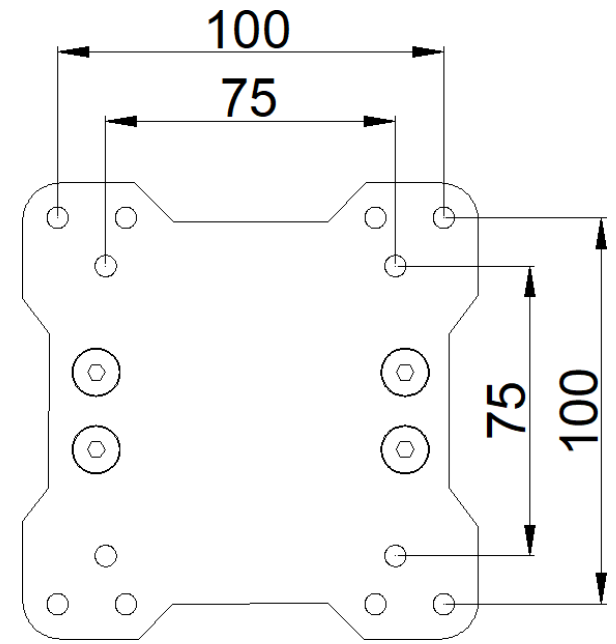
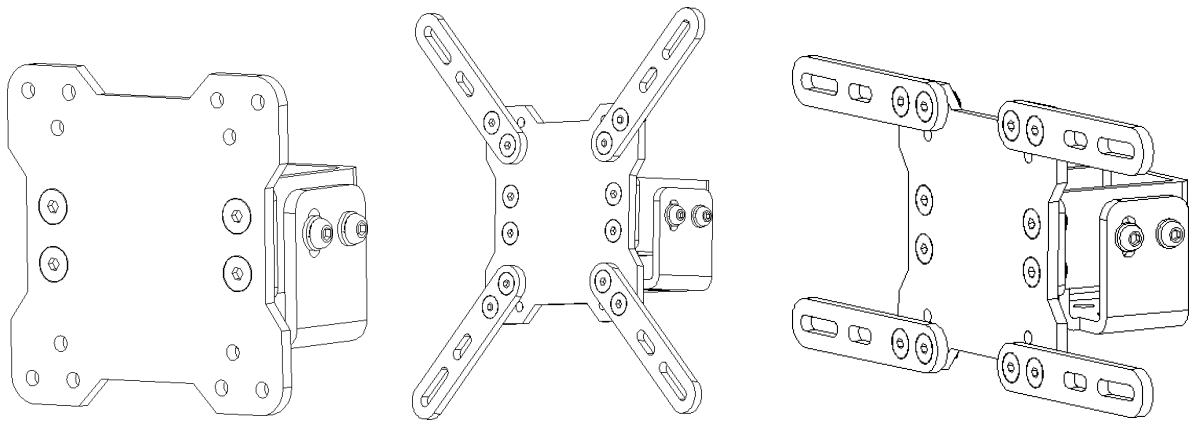


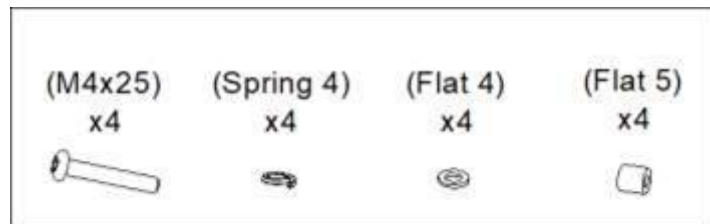
(M8x16)
x8



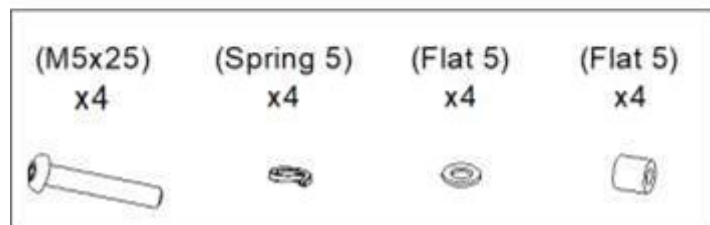
(M8 Nut)
x8



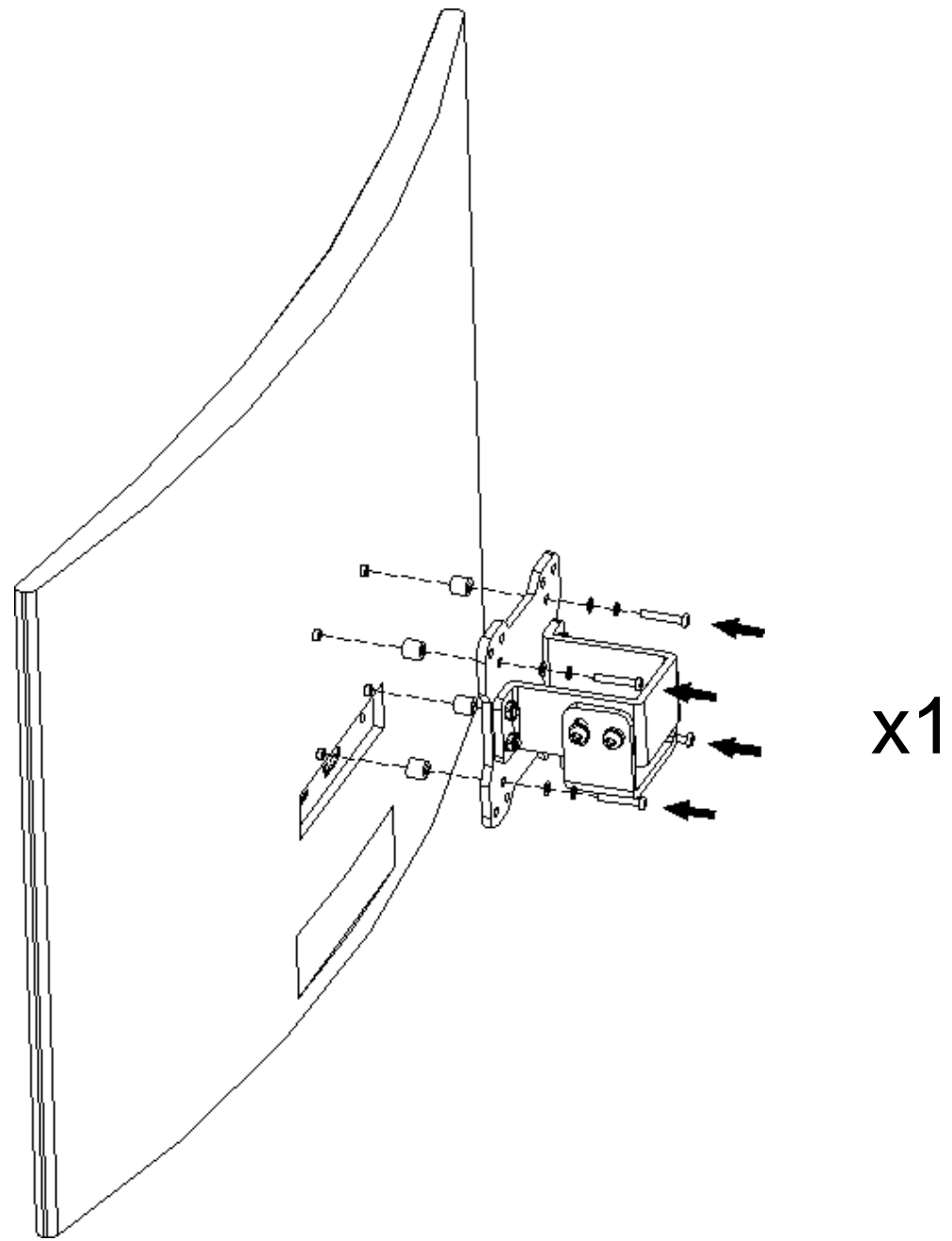




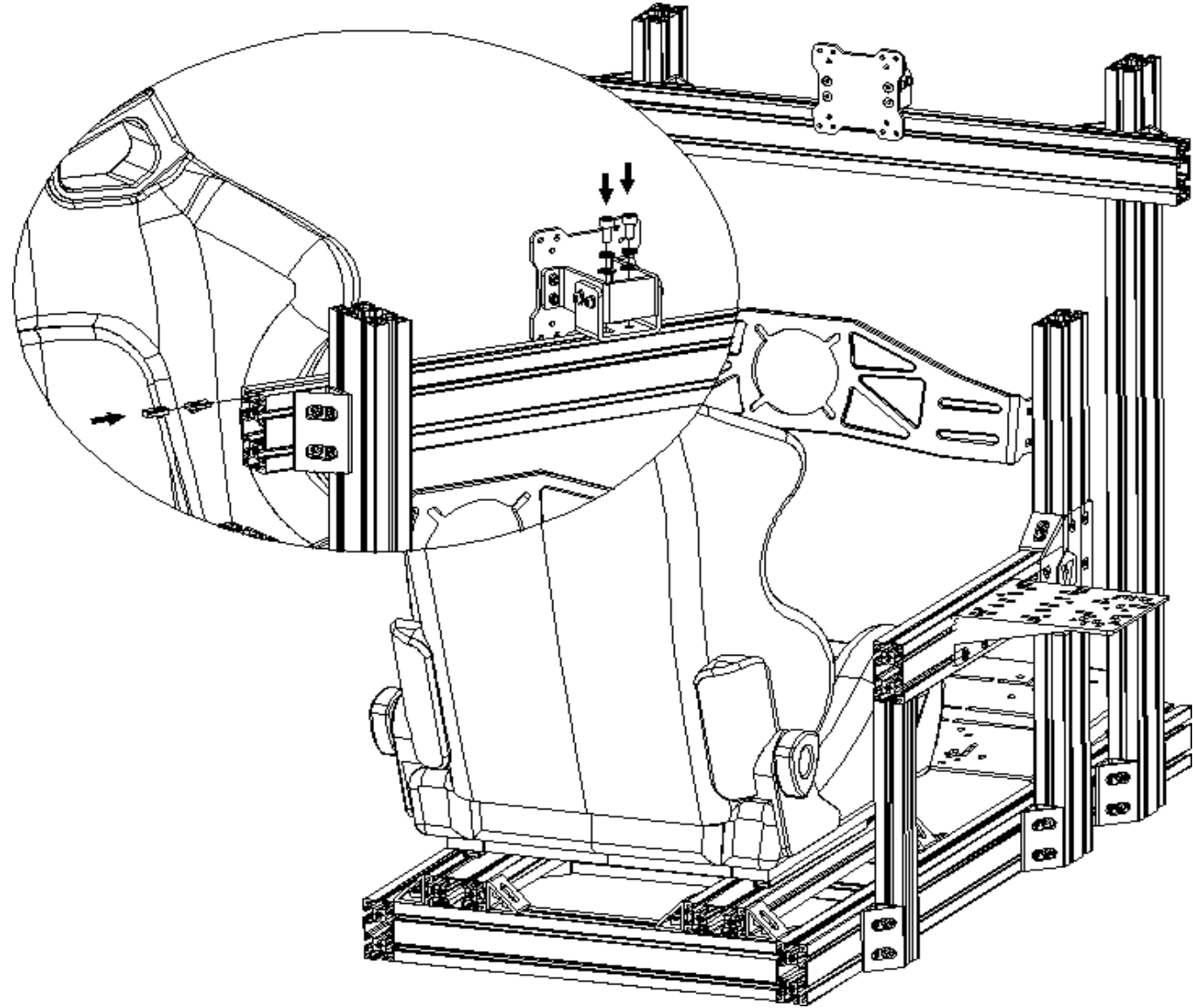
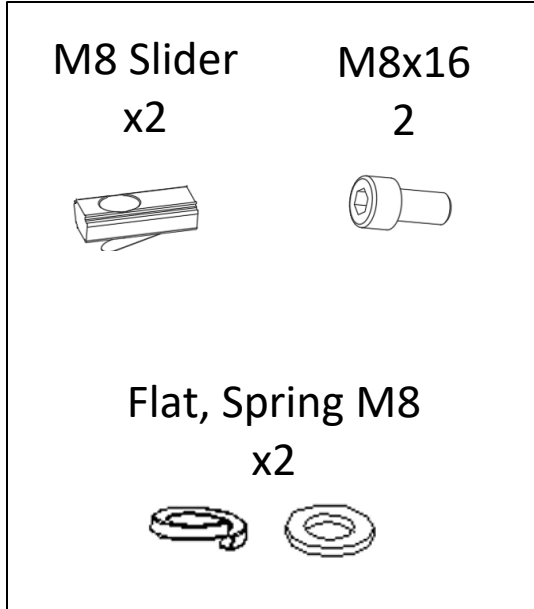
Or

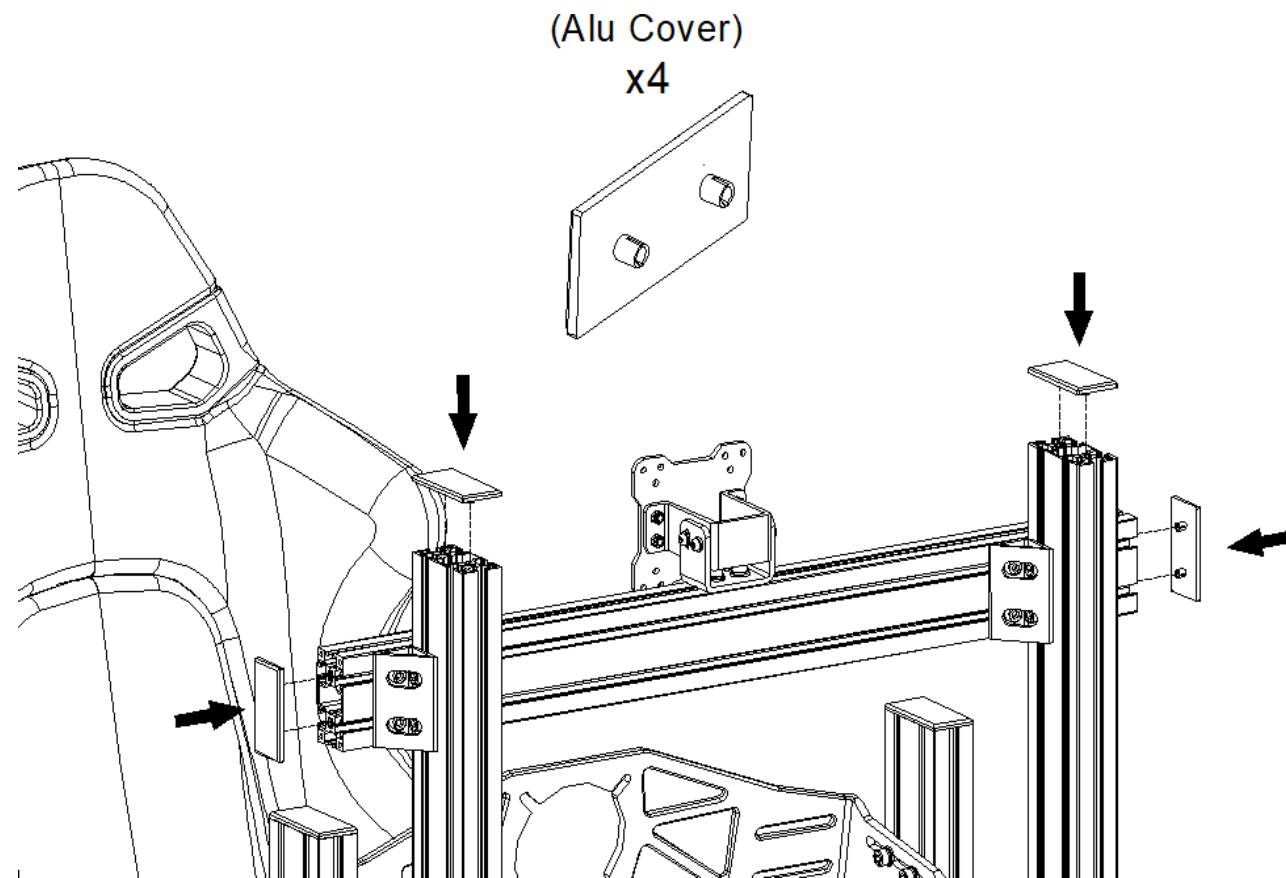


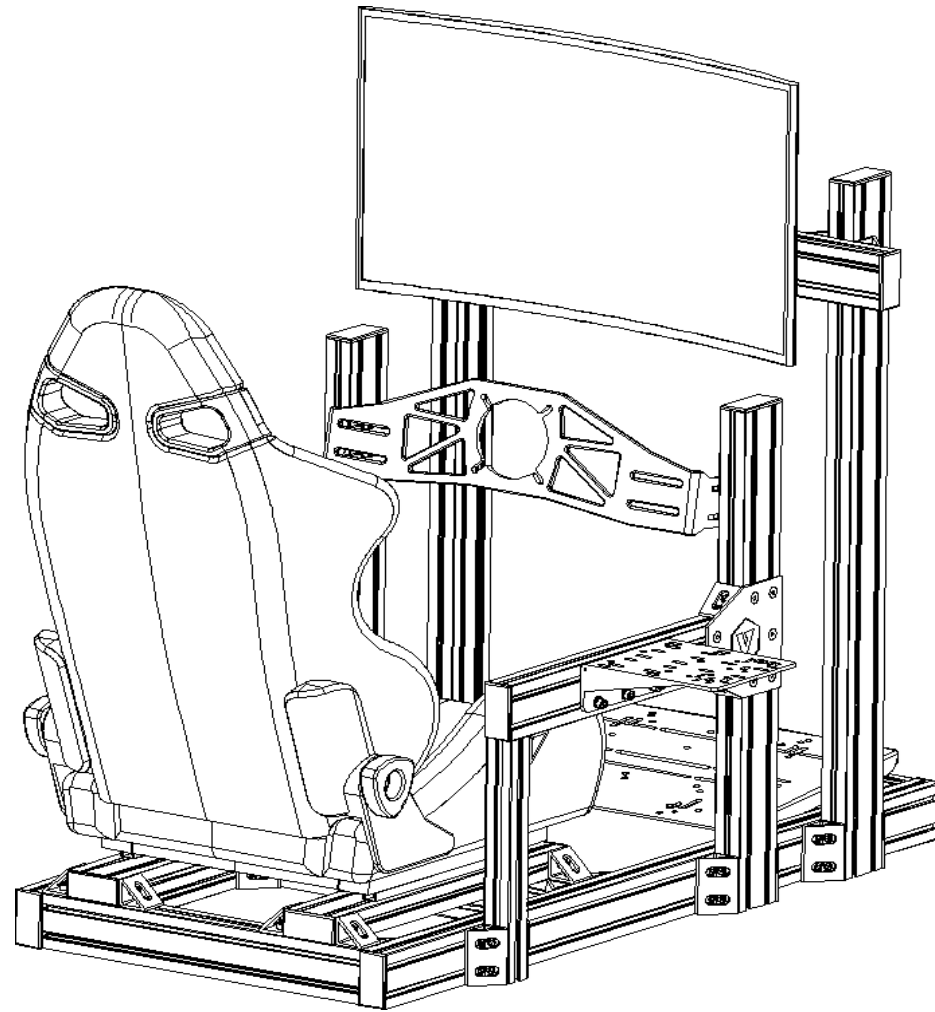
x1



x1







“Congratulations on completing your rig assembly. If you have any questions or encounter any problems, please contact us for support!”