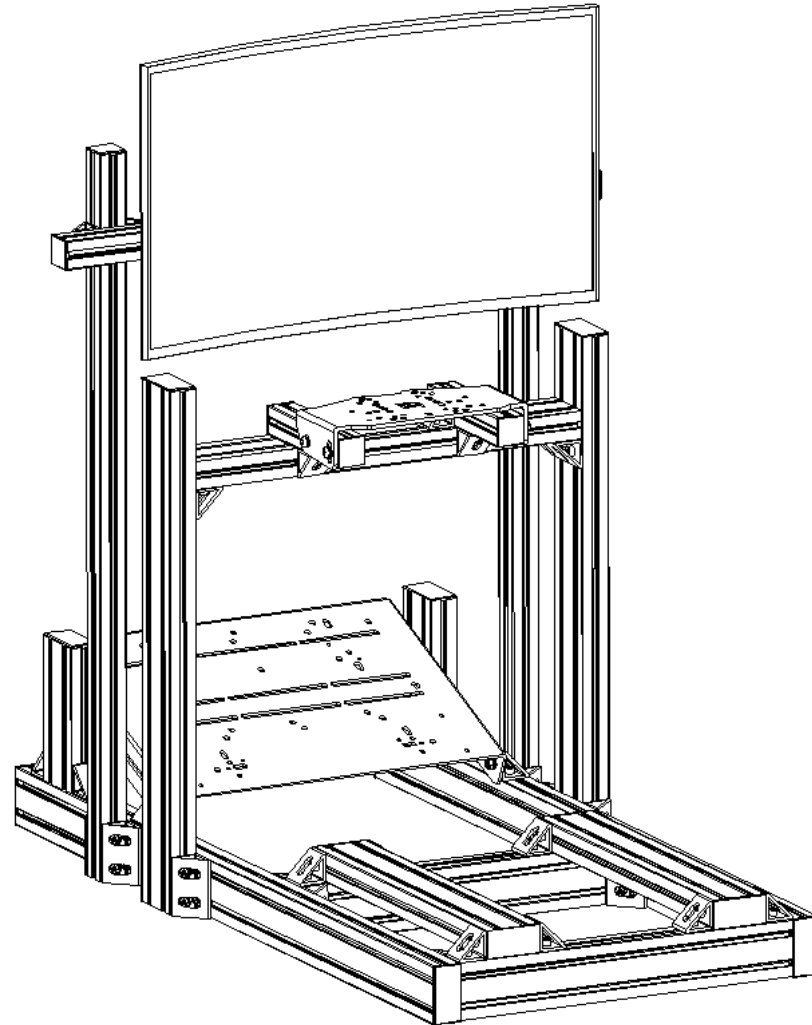




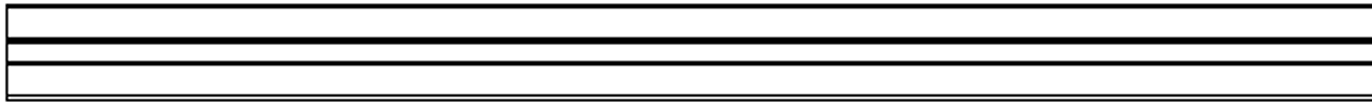
Quick installation guide

VNM RIG-Mounted Single Monitor Stand 4040



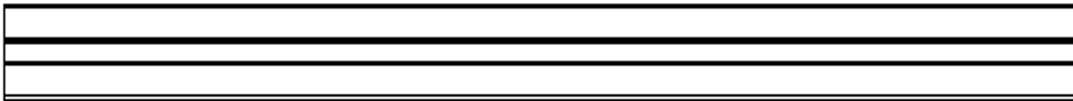
1

40x40x1000
x2

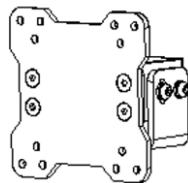


2

40x40x800
x1



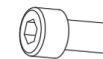
Screen Mount
x1



Alu Cover4040
x4



M8x16
x26



Flat, Spring M8
x2



Vesa Extended
x4



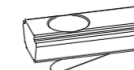
4080 Conner Alu
x4



4040 Conner Alu
x4

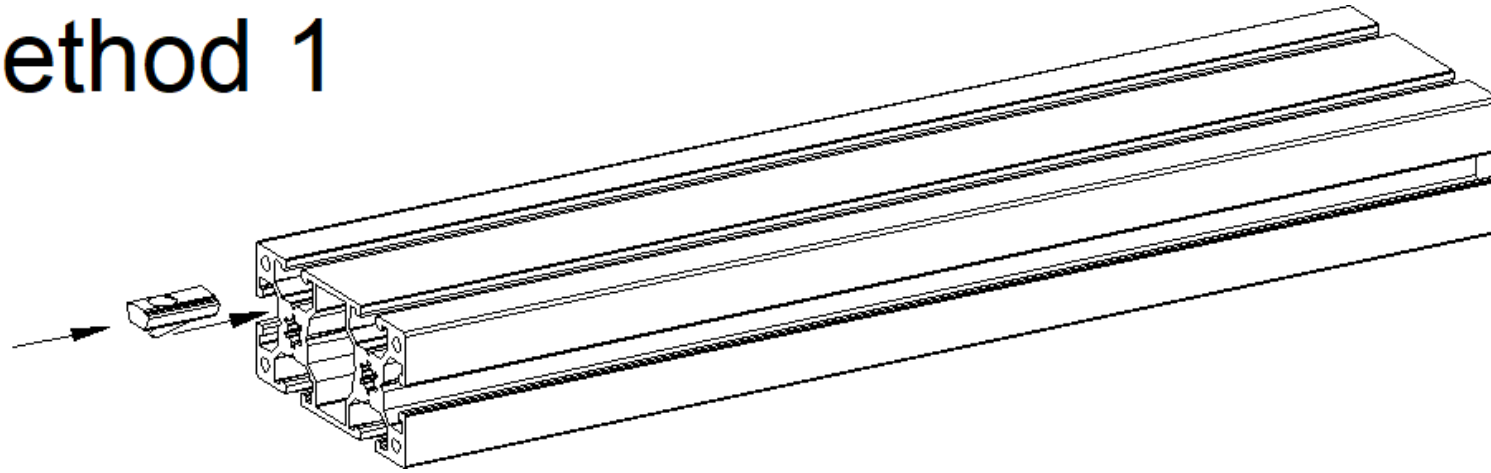


M8 Slider
x26

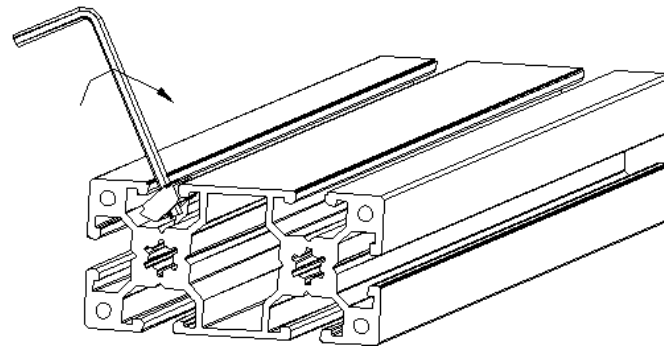





If you are missing any parts, please contact our customer support team who can assist!

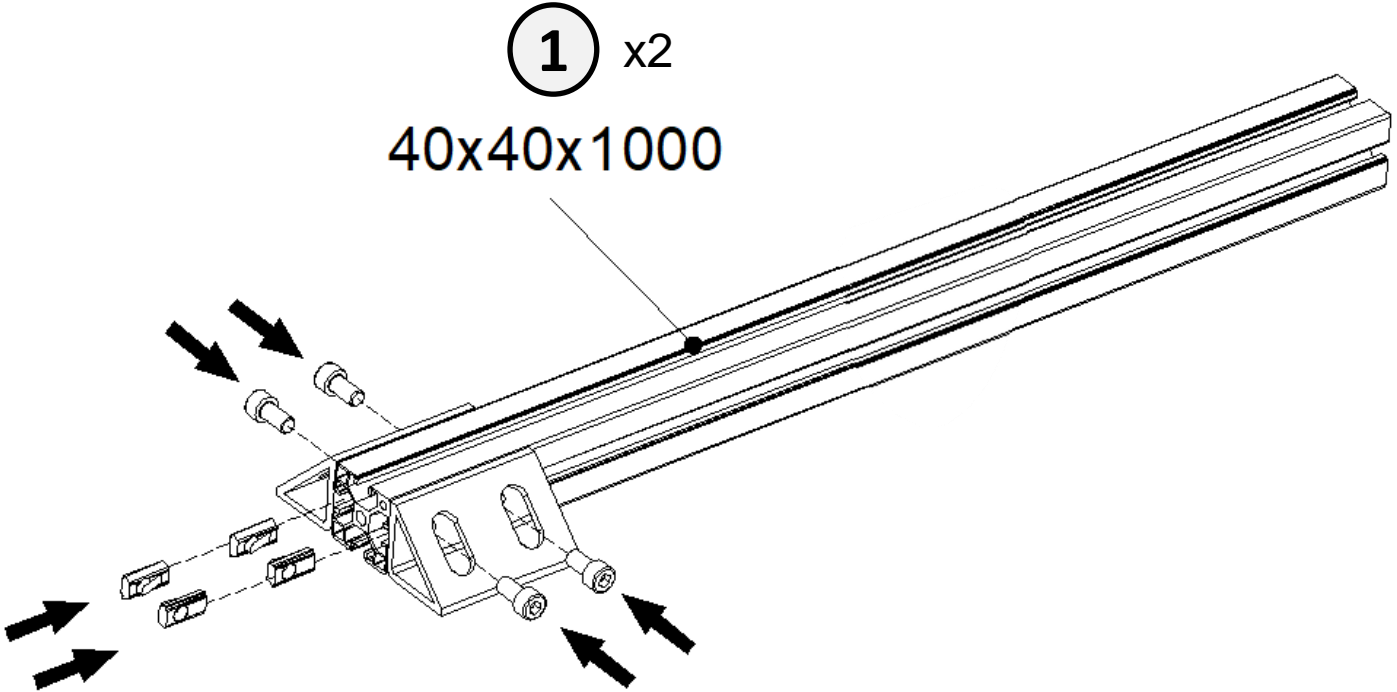
Method 1



Method 2



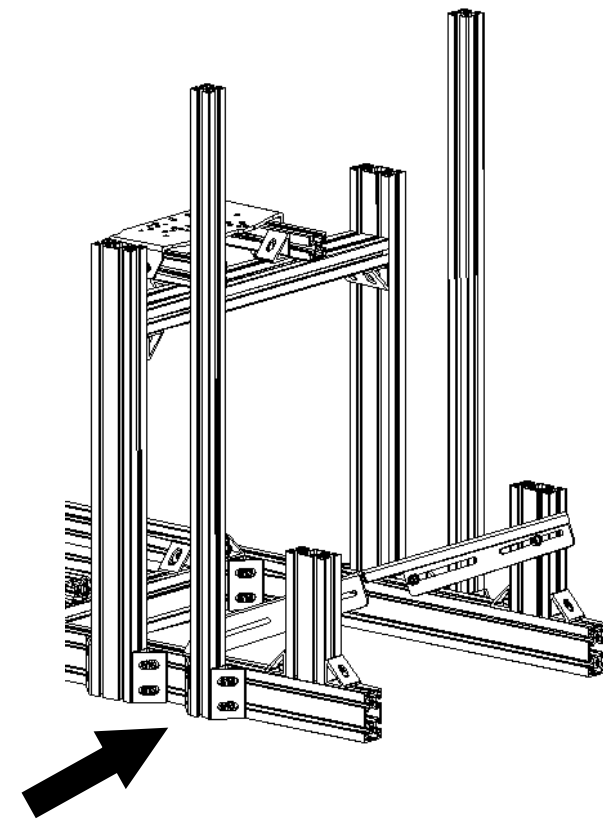
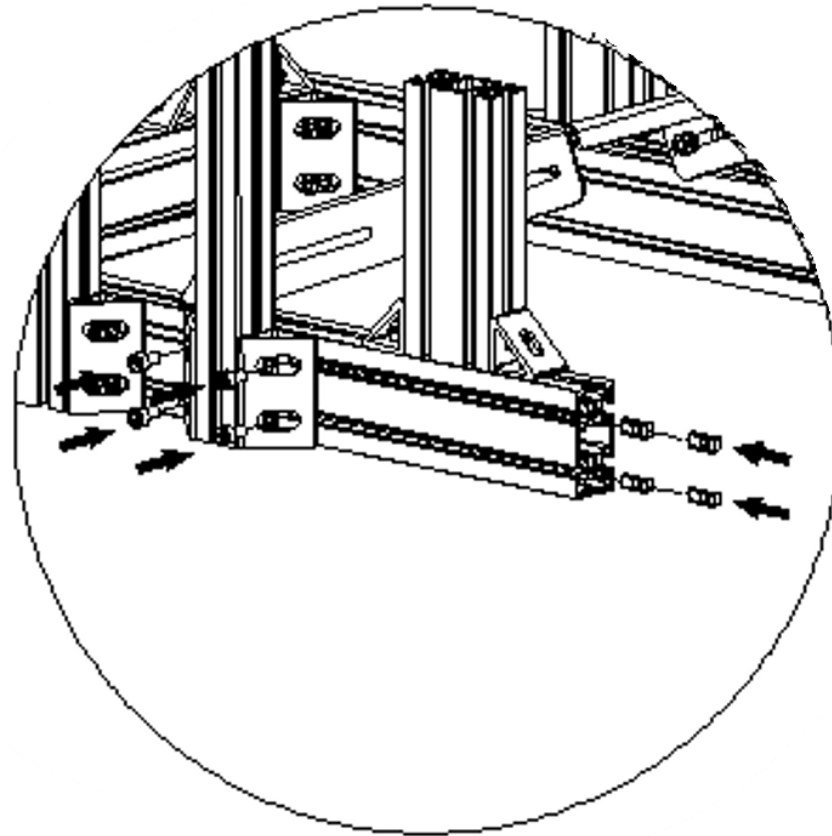
4080 Conner Alu x4 	M8x16 x8 	M8 Slider x8 
------------------------------------------------------------------------------------------------------------	--------------------------------------------------------------------------------------------------	-------------------------------------------------------------------------------------------------------



(M8x16)
x8



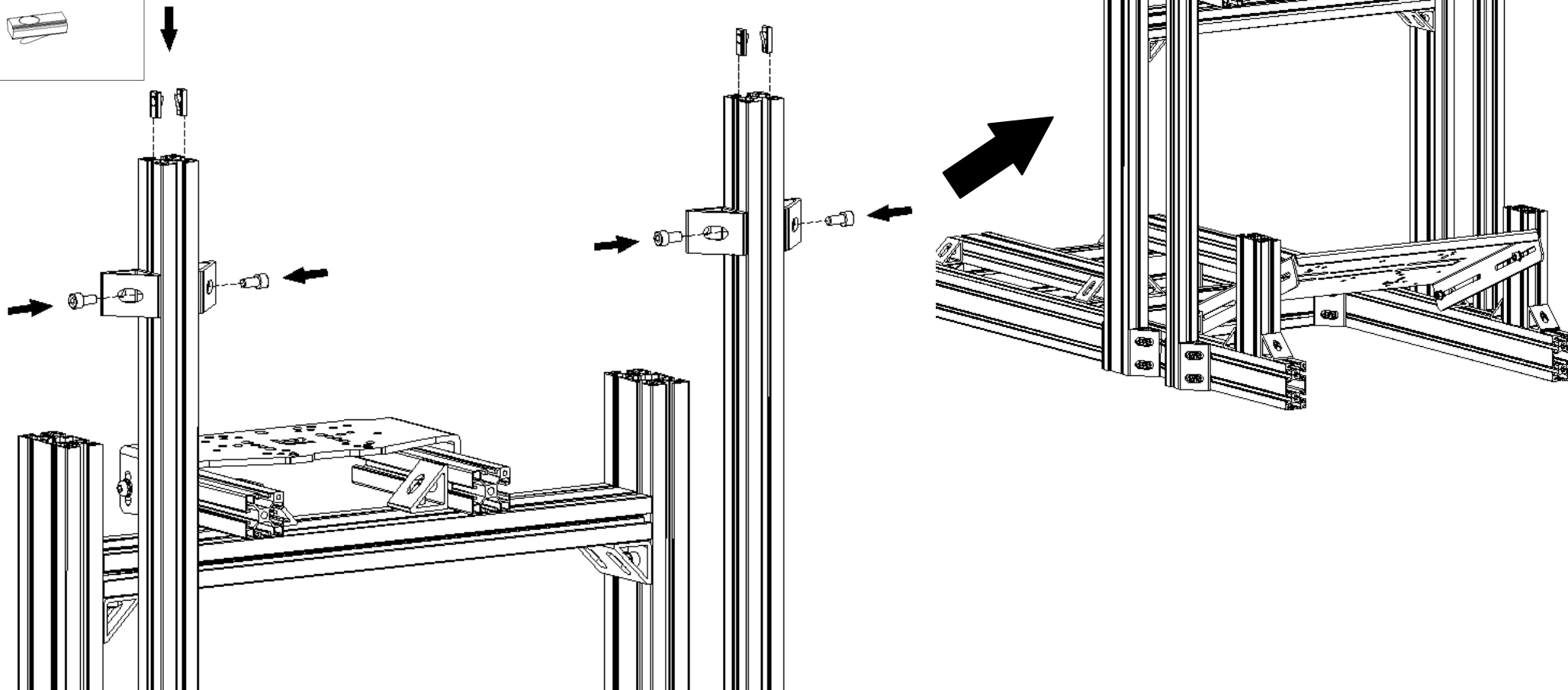
(M8 Nut)
x8



(M8x16)
x4



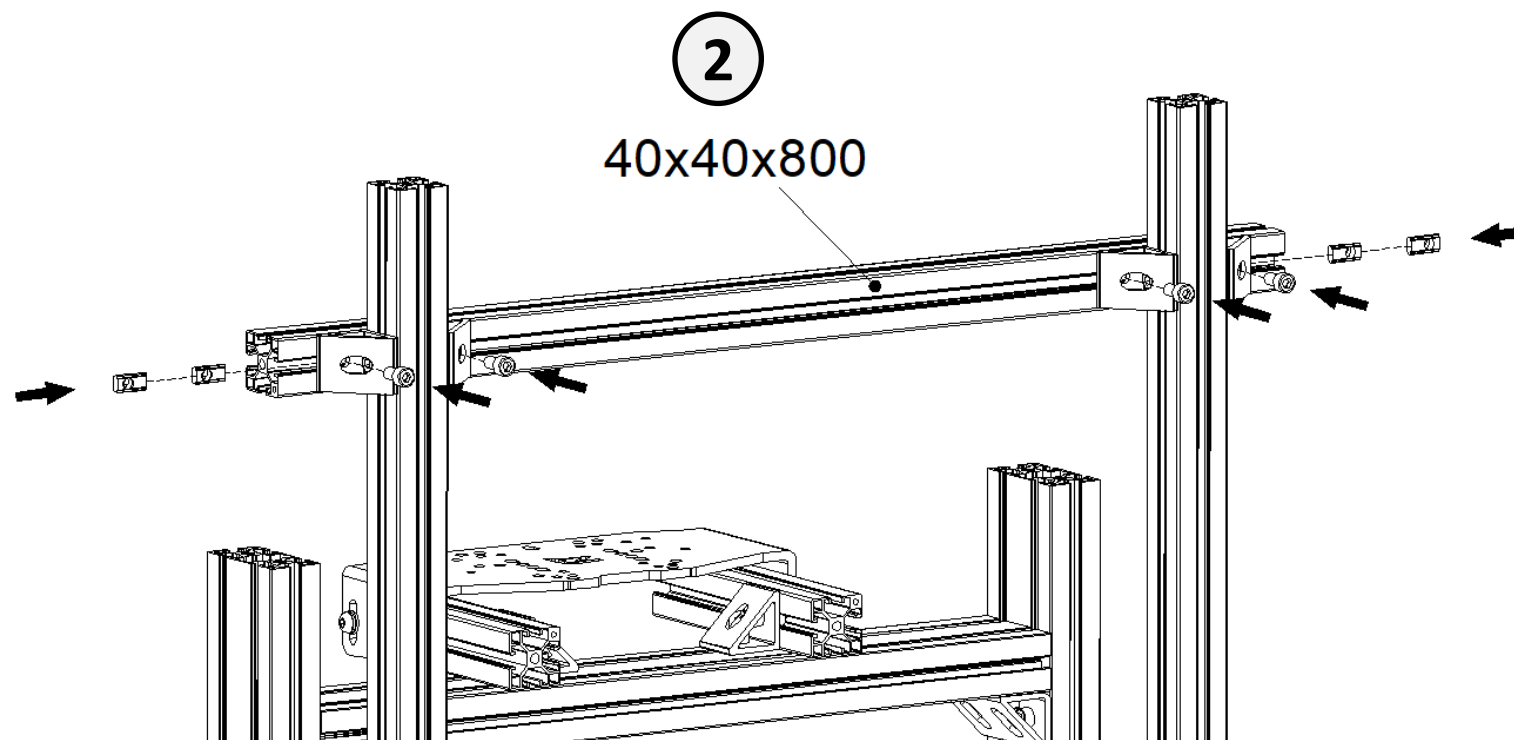
(M8 Nut)
x4

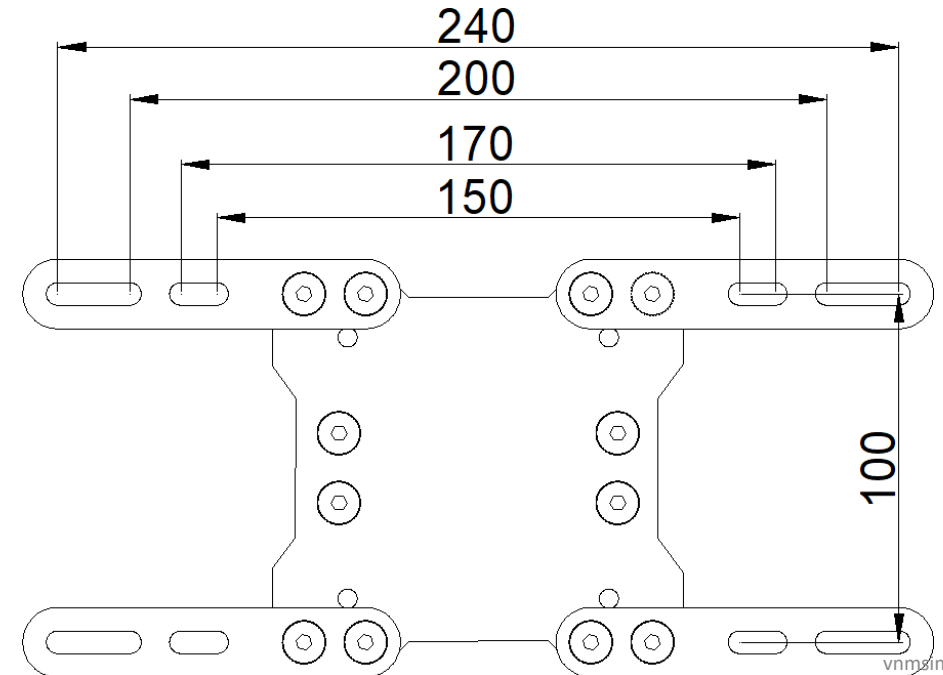
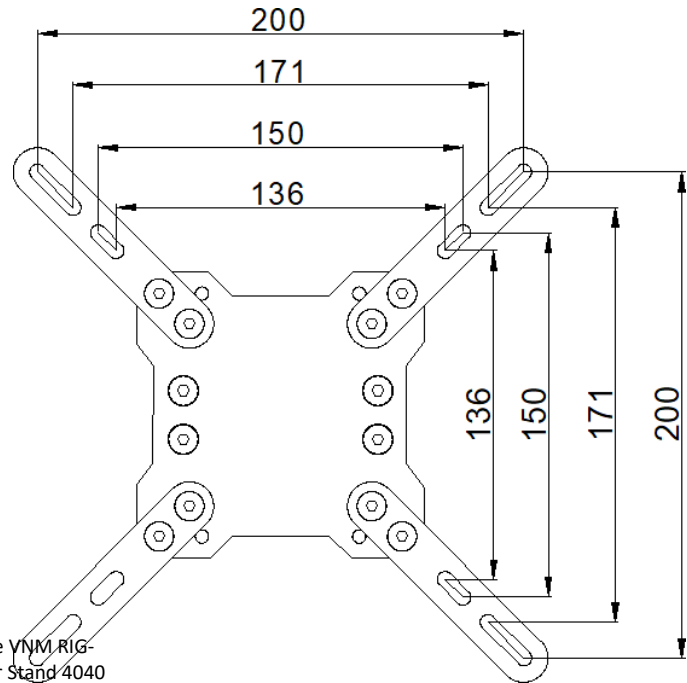
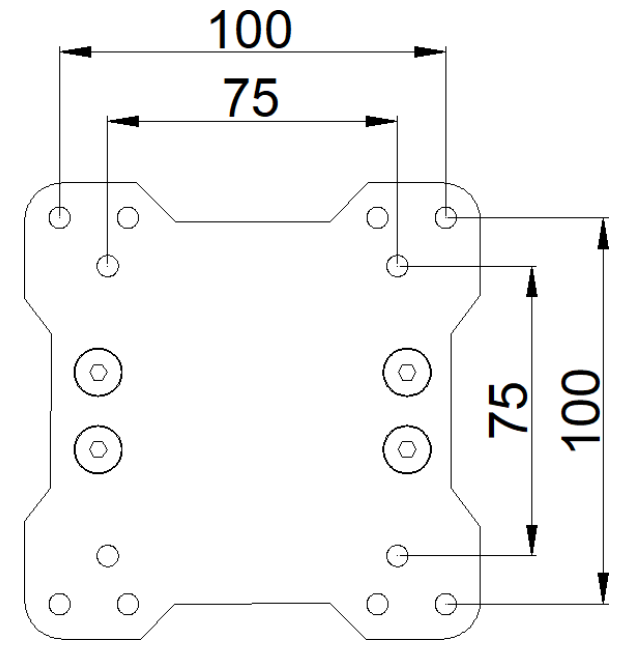
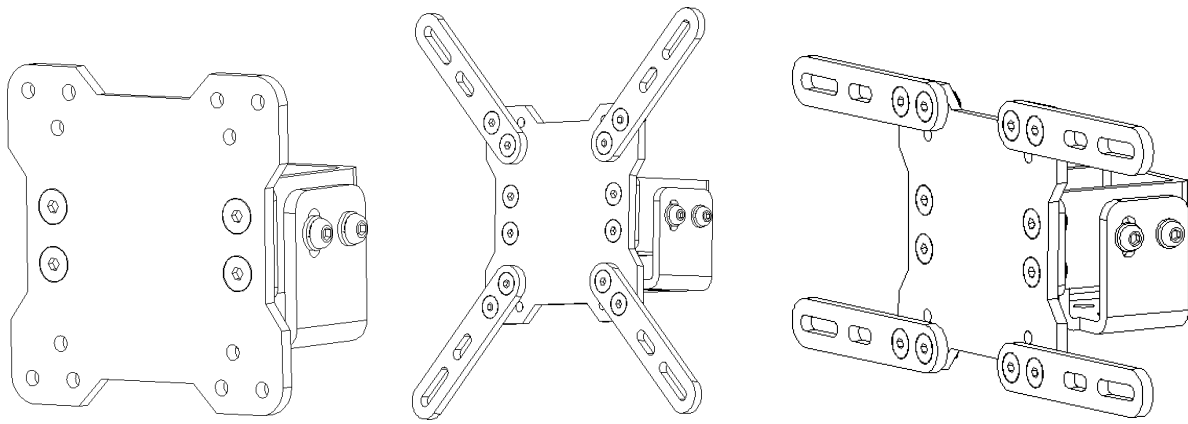


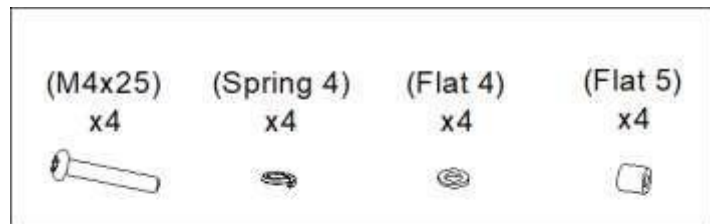
(M8x16)
x4



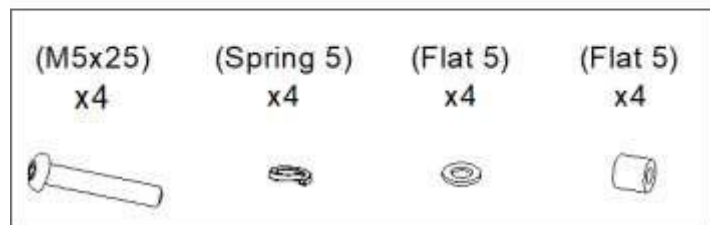
(M8 Nut)
x4



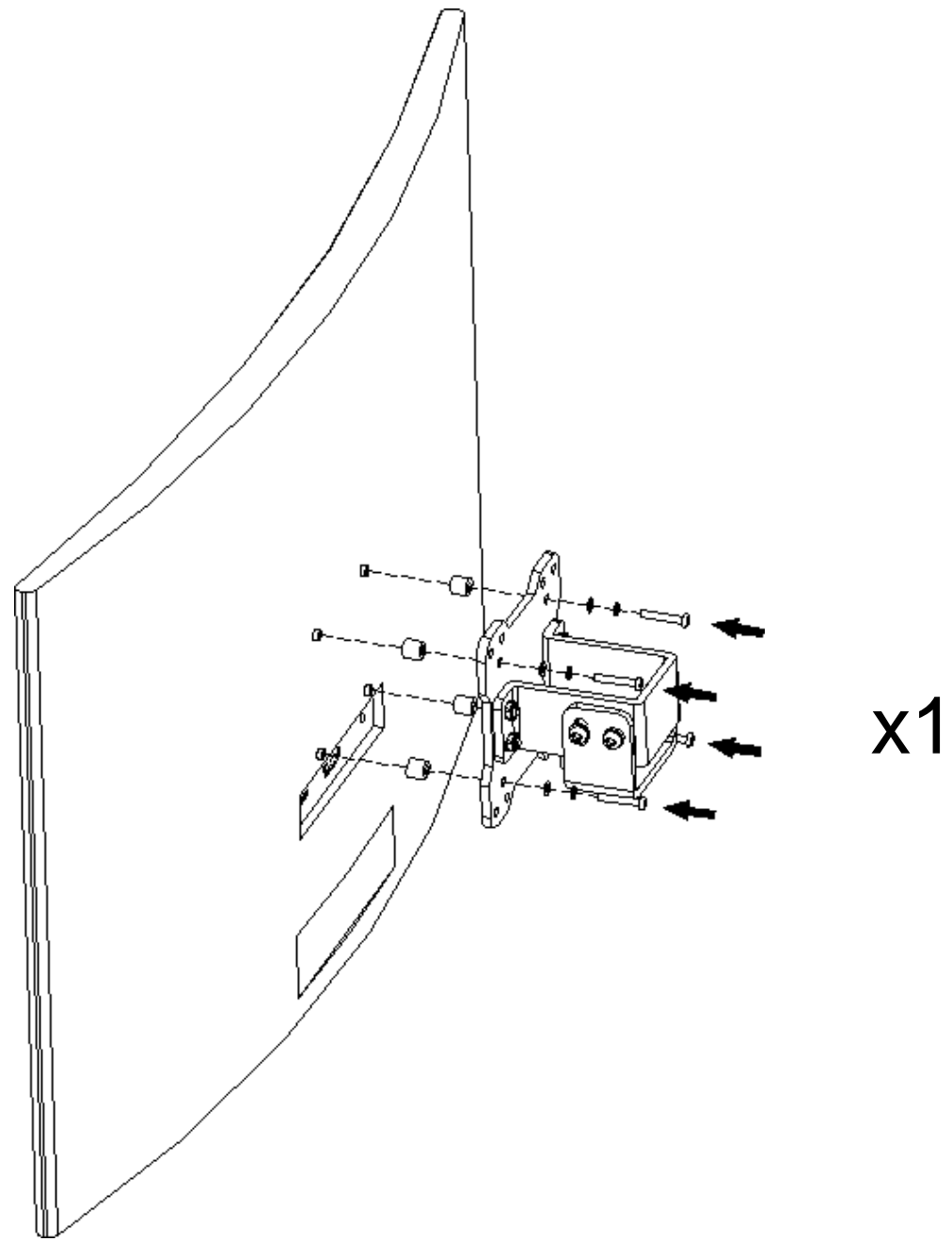




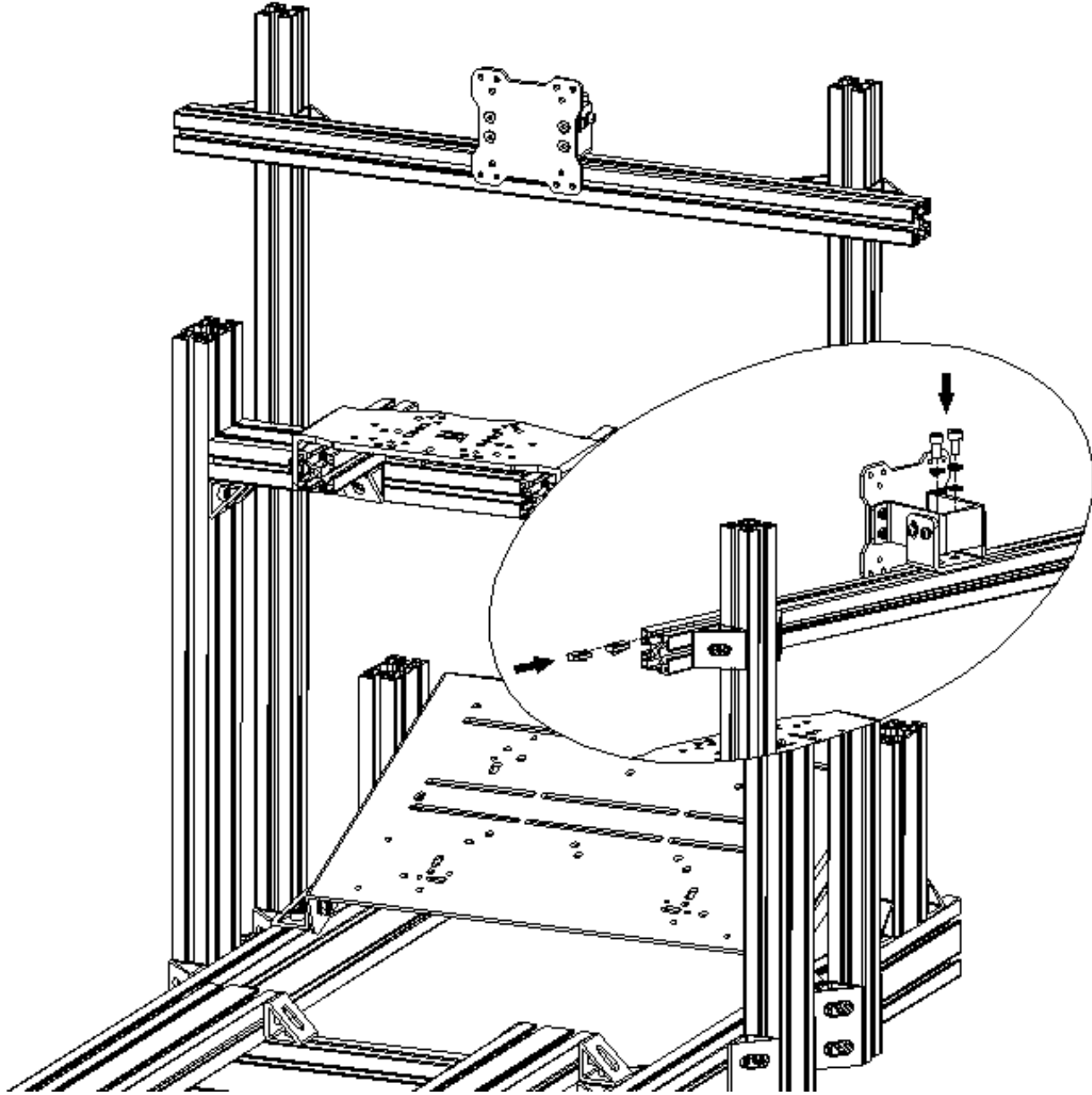
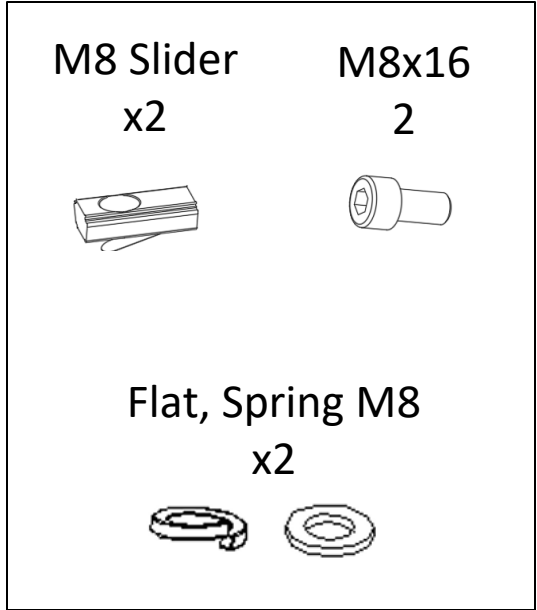
Or



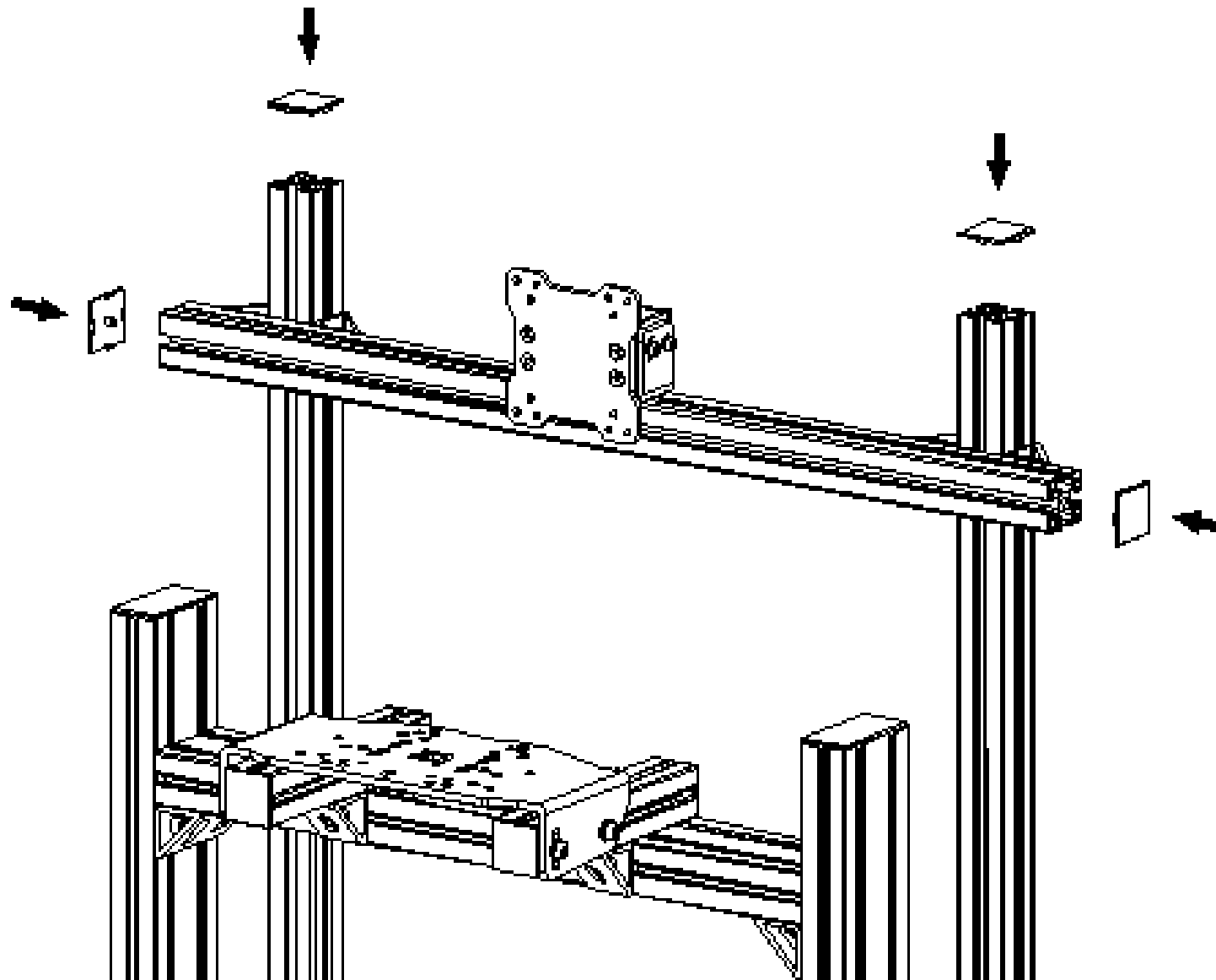
x1

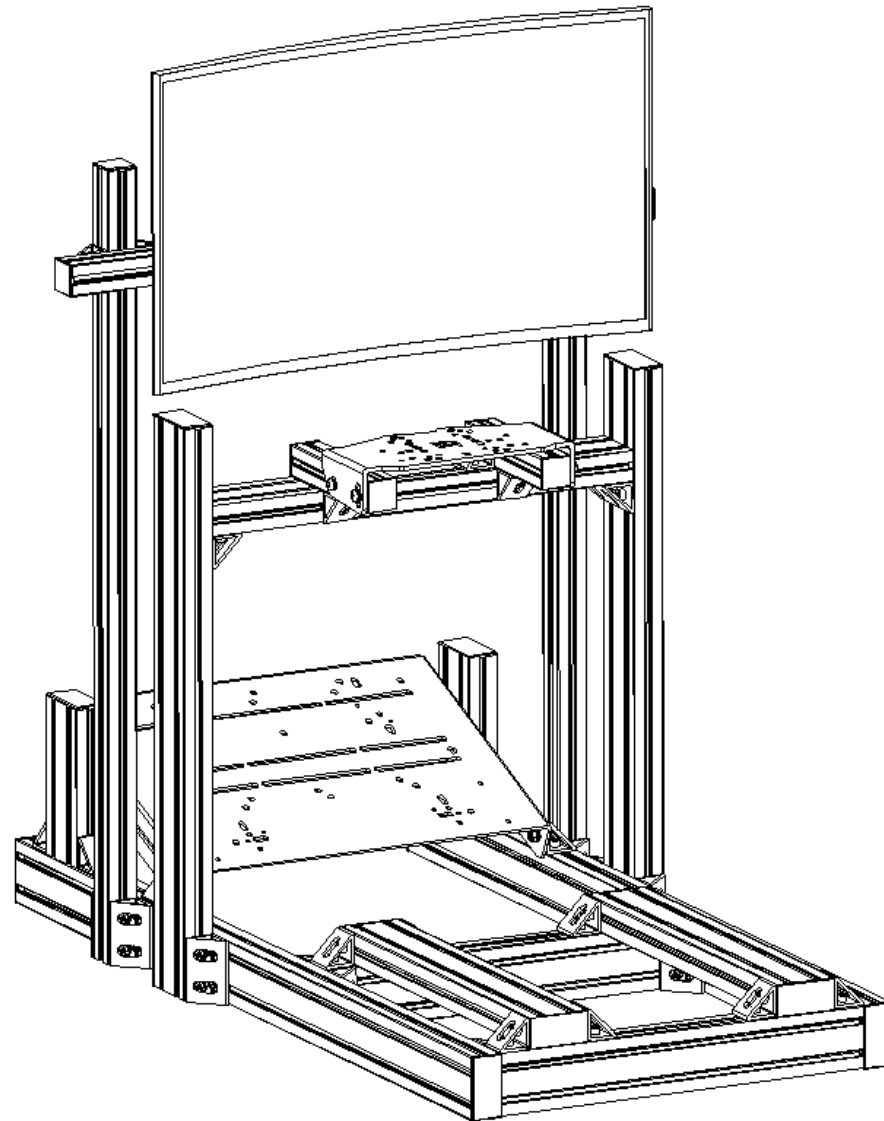


x1



Alu Cover4040
x4





“Congratulations on completing your rig assembly. If you have any questions or encounter any problems, please contact us for support!”