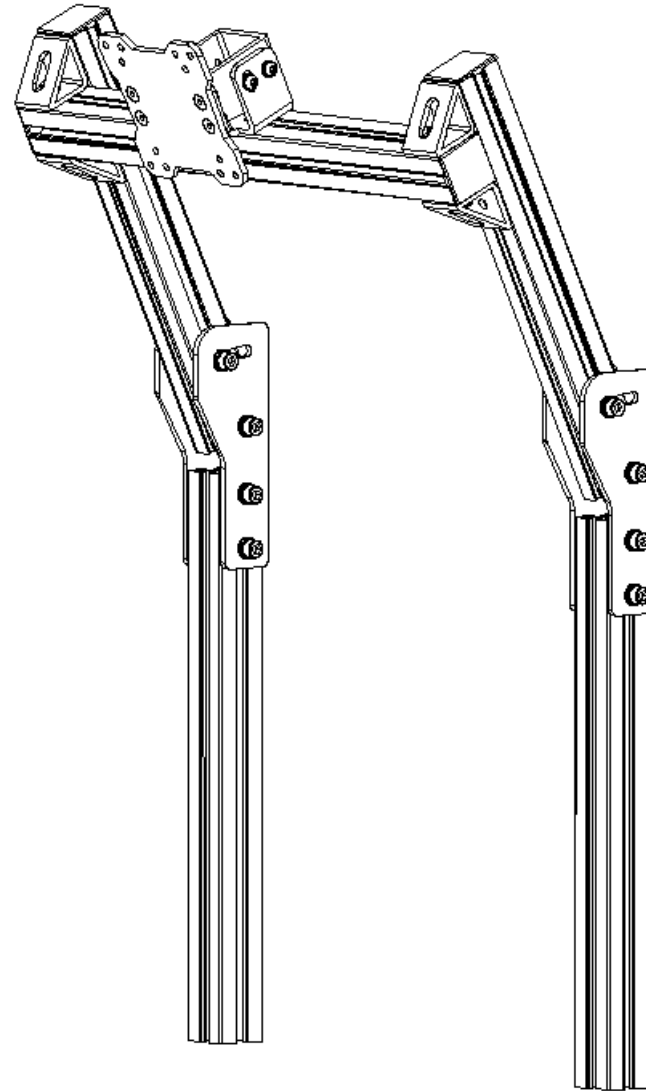




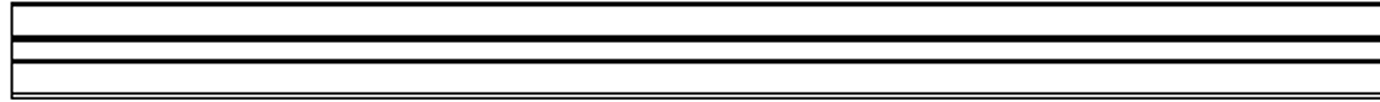
# Quick installation guide

## VNM Quad Monitor Upgrade



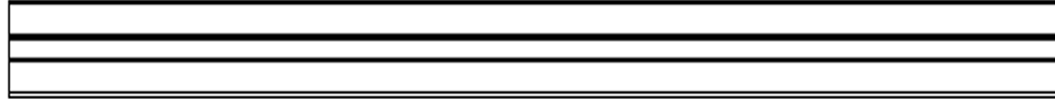
1

40x40x500  
x1



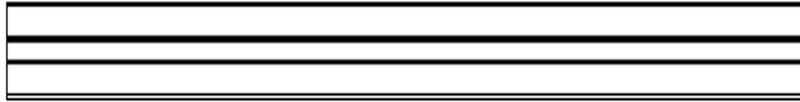
2

40x40x420  
x2

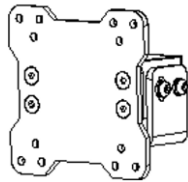


3

40x40x350  
x2



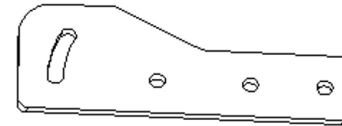
Screen Mount  
x1



Alu Cover4040  
x4



Quad monitor extend  
x4



Flat, Spring M8  
x18



Vesa Extended  
x4



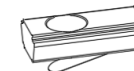
4080 Conner Alu  
x4



4040 Conner Alu  
x4



M8 Slider  
x42

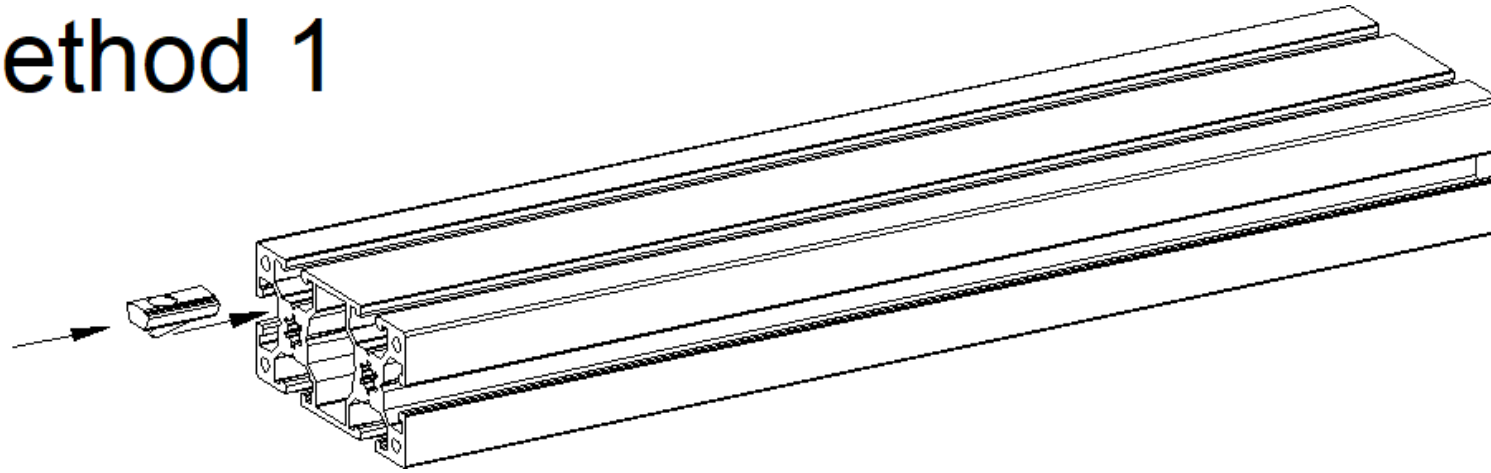


M8x16  
x42

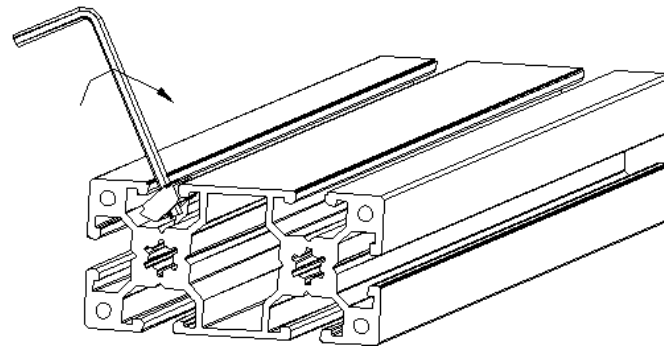






*If you are missing any parts, please contact our customer support team who can assist!*

# Method 1

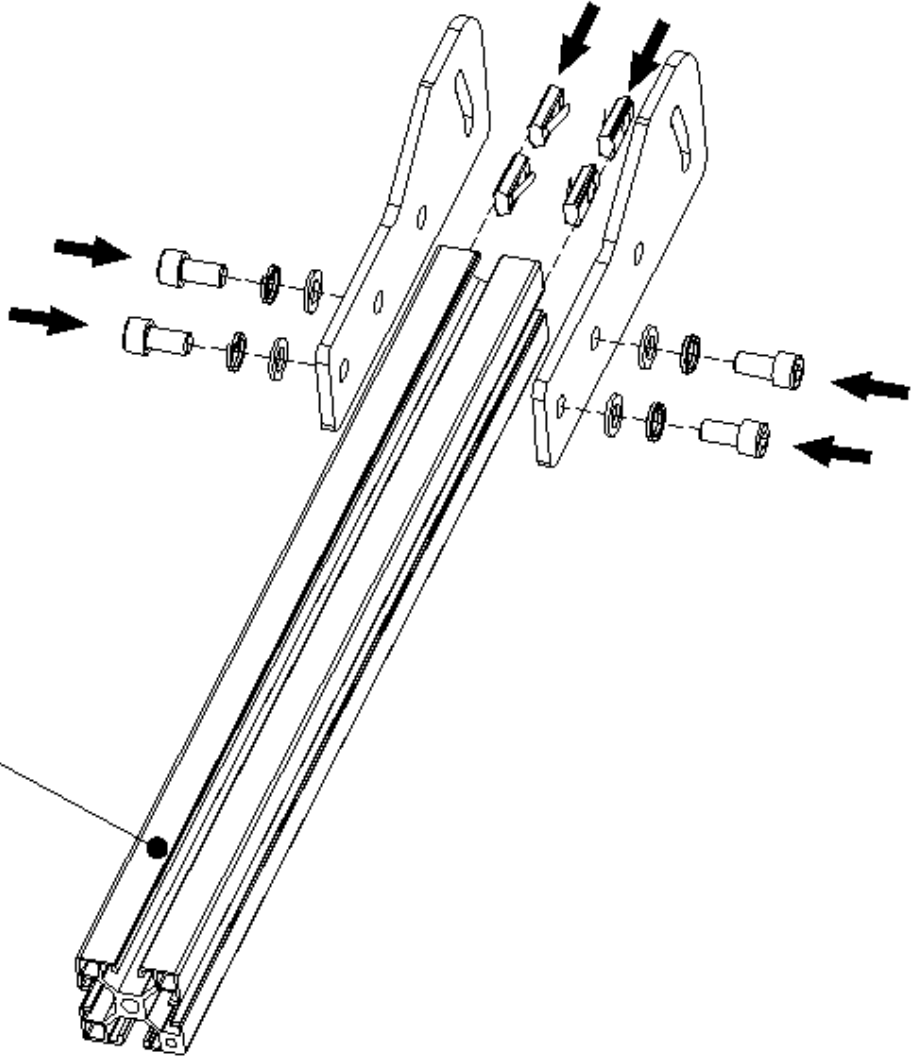


# Method 2



(M8x16) x4	(Spring 8) x4	(Flat 8) x4	(M8 Nut) x4
			

② x2  
40x40x420



(M8x16)  
x4



(Spring 8)  
x4



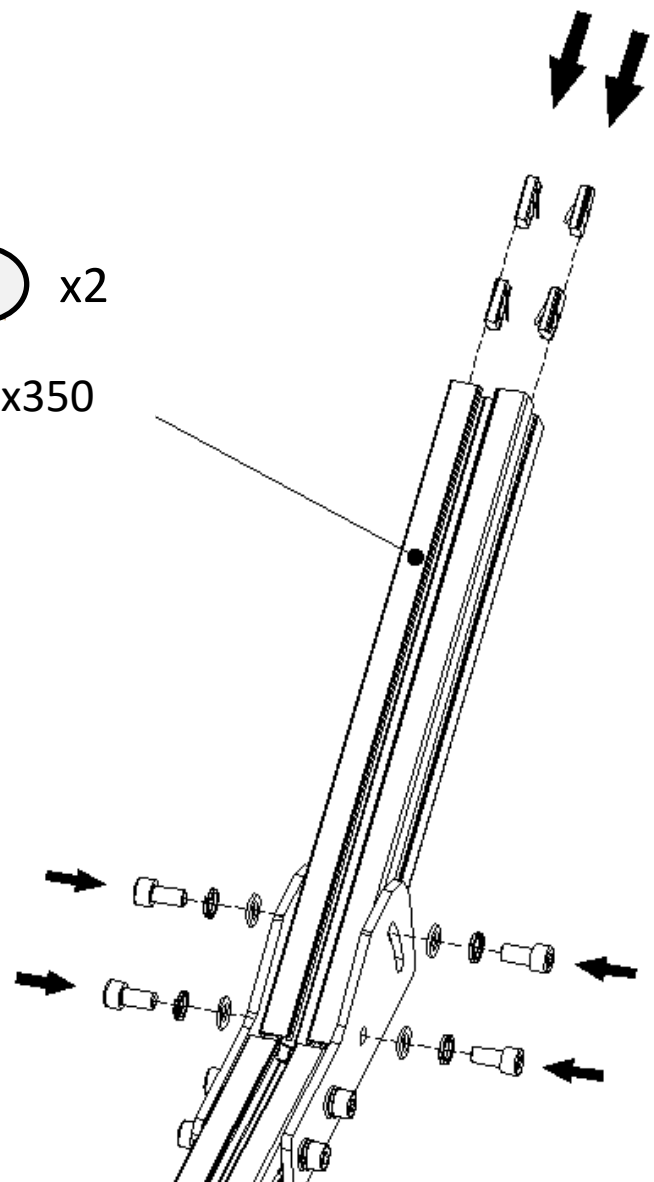
(Flat 8)  
x4



(M8 Nut)  
x4



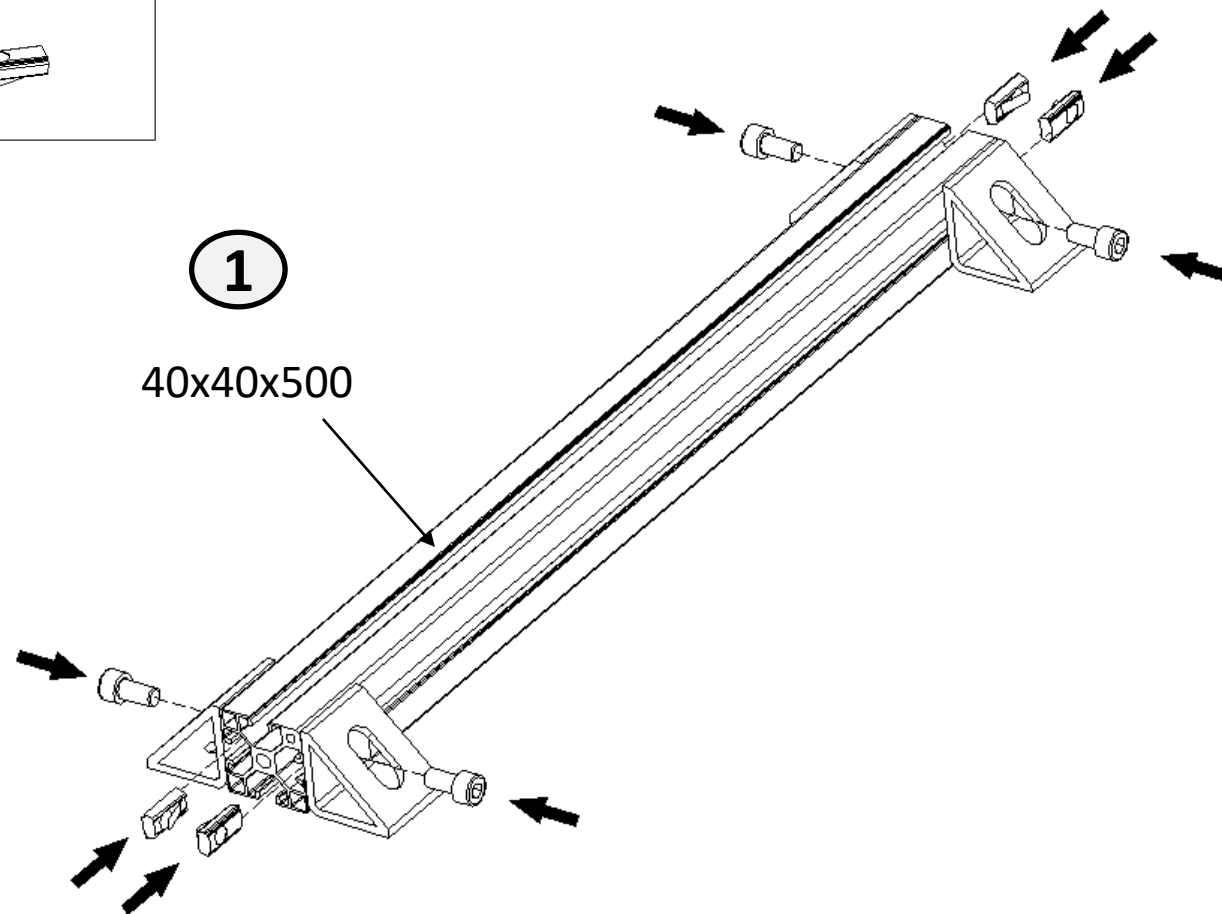
③ x2  
40x40x350



(M8x16)  
x4

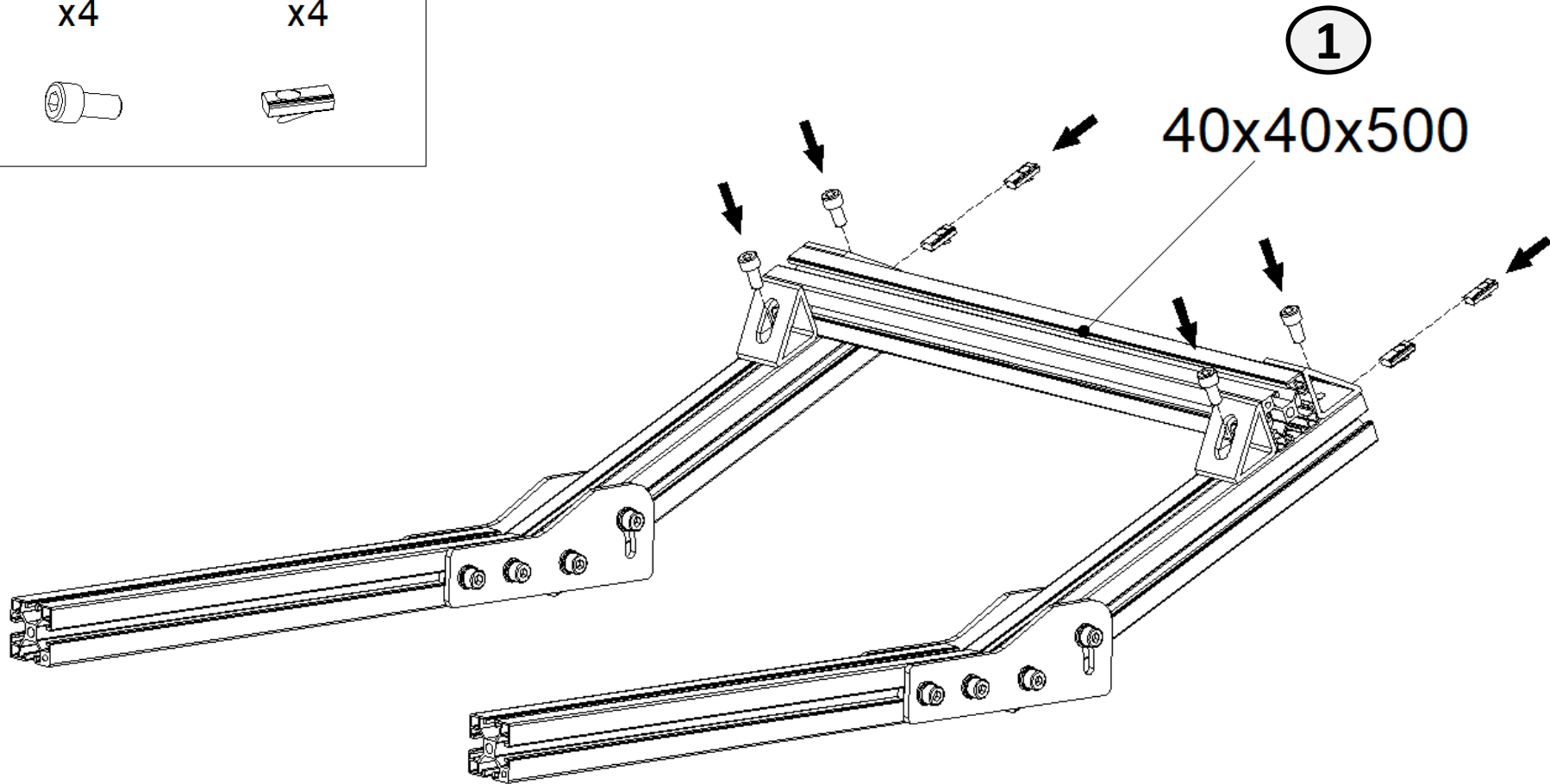
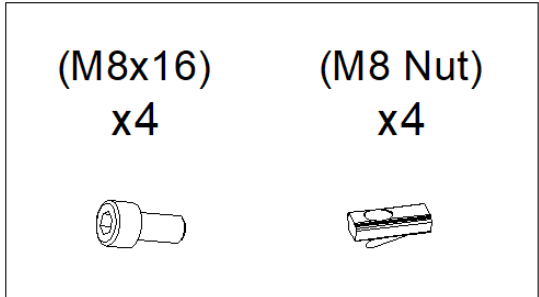


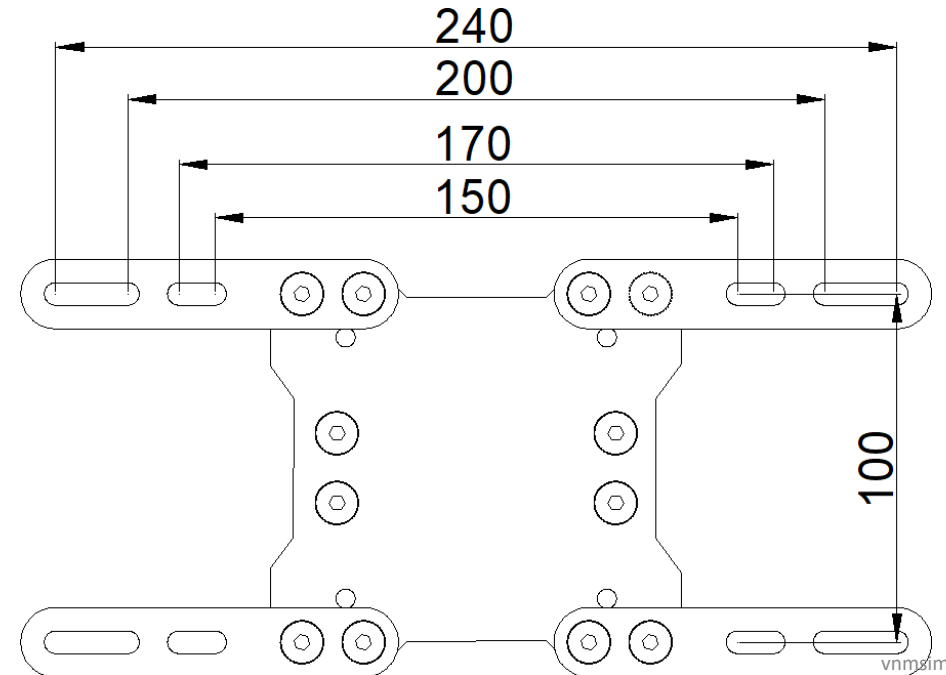
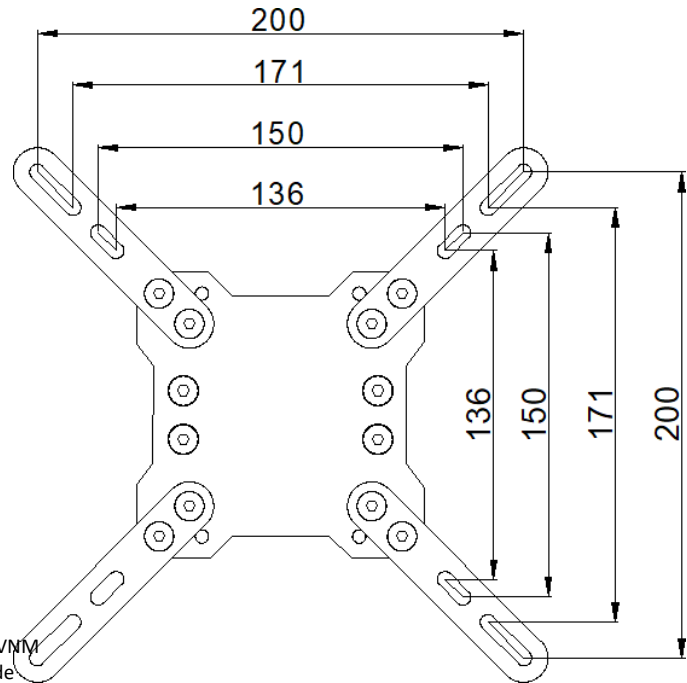
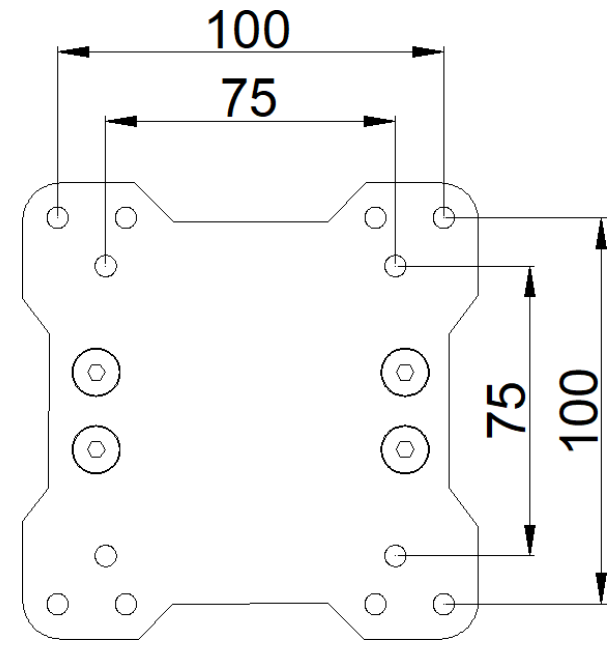
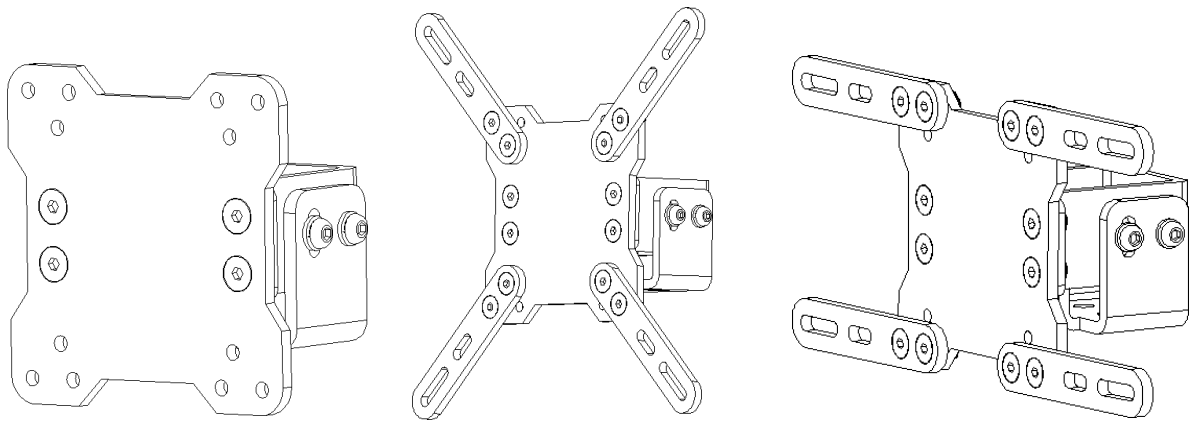
(M8 Nut)  
x4

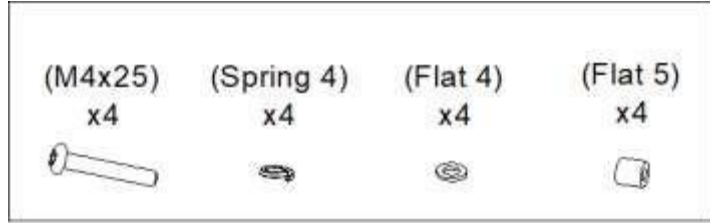


1

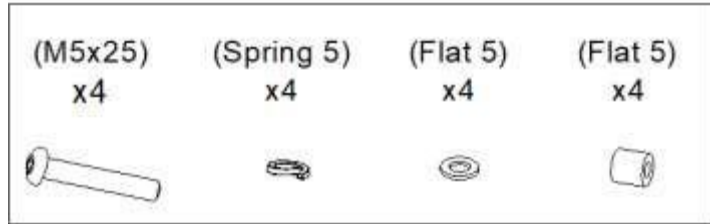
40x40x500



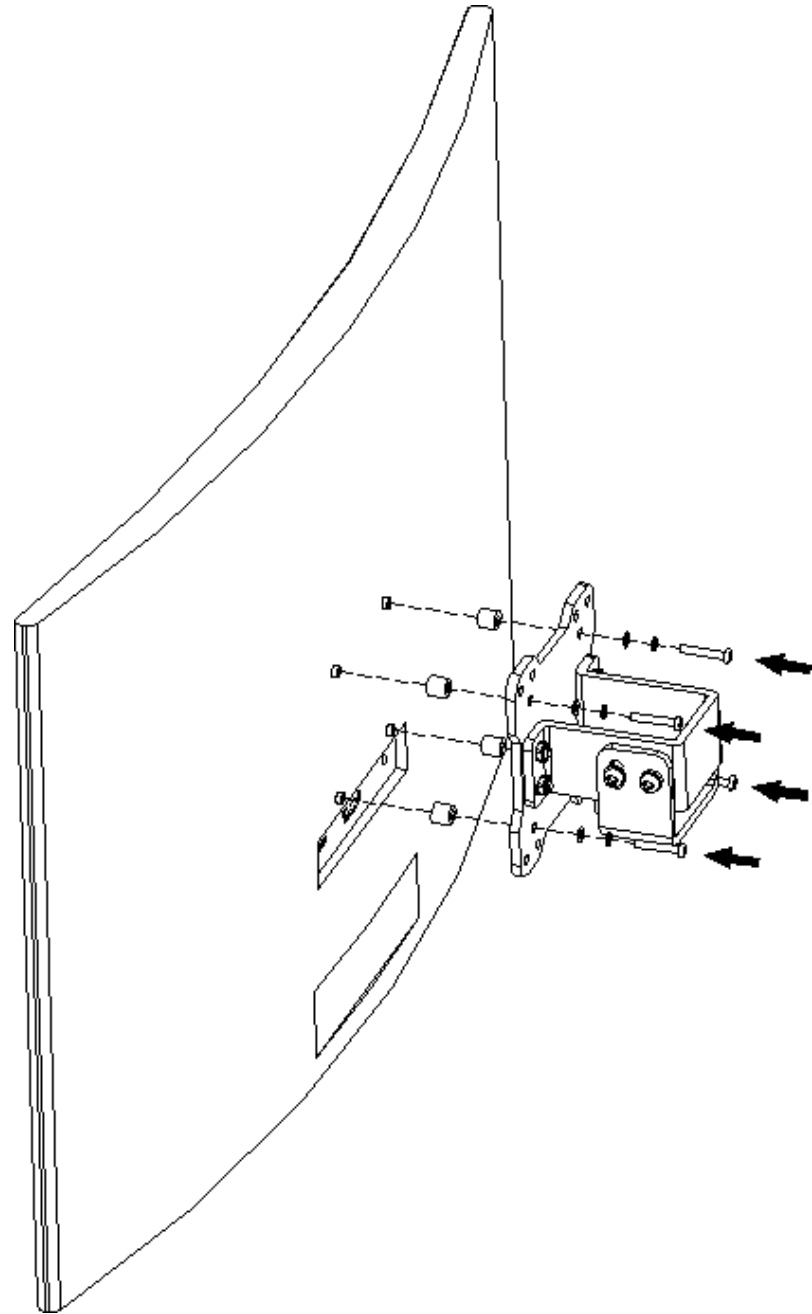




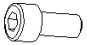



Or

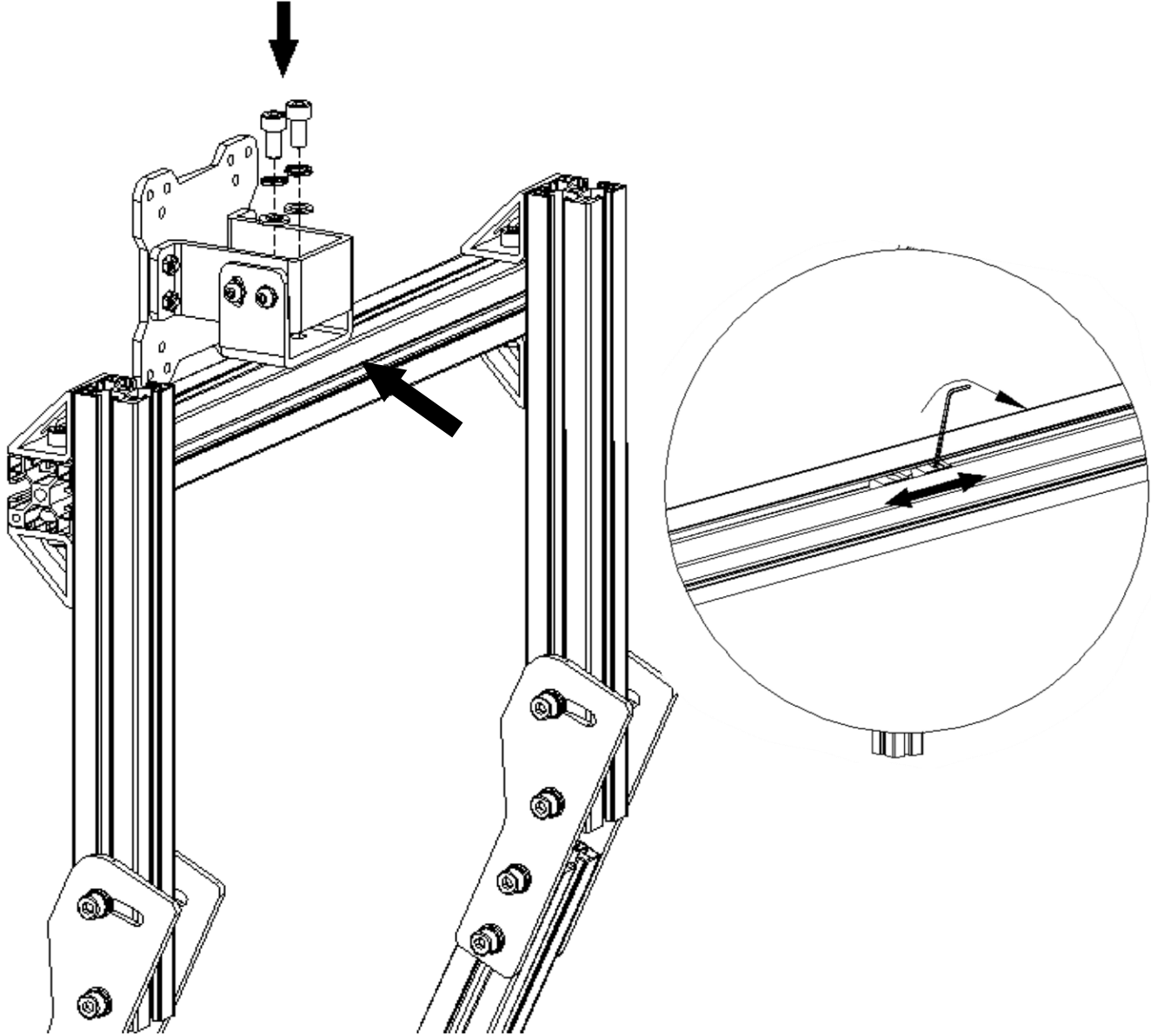


x1

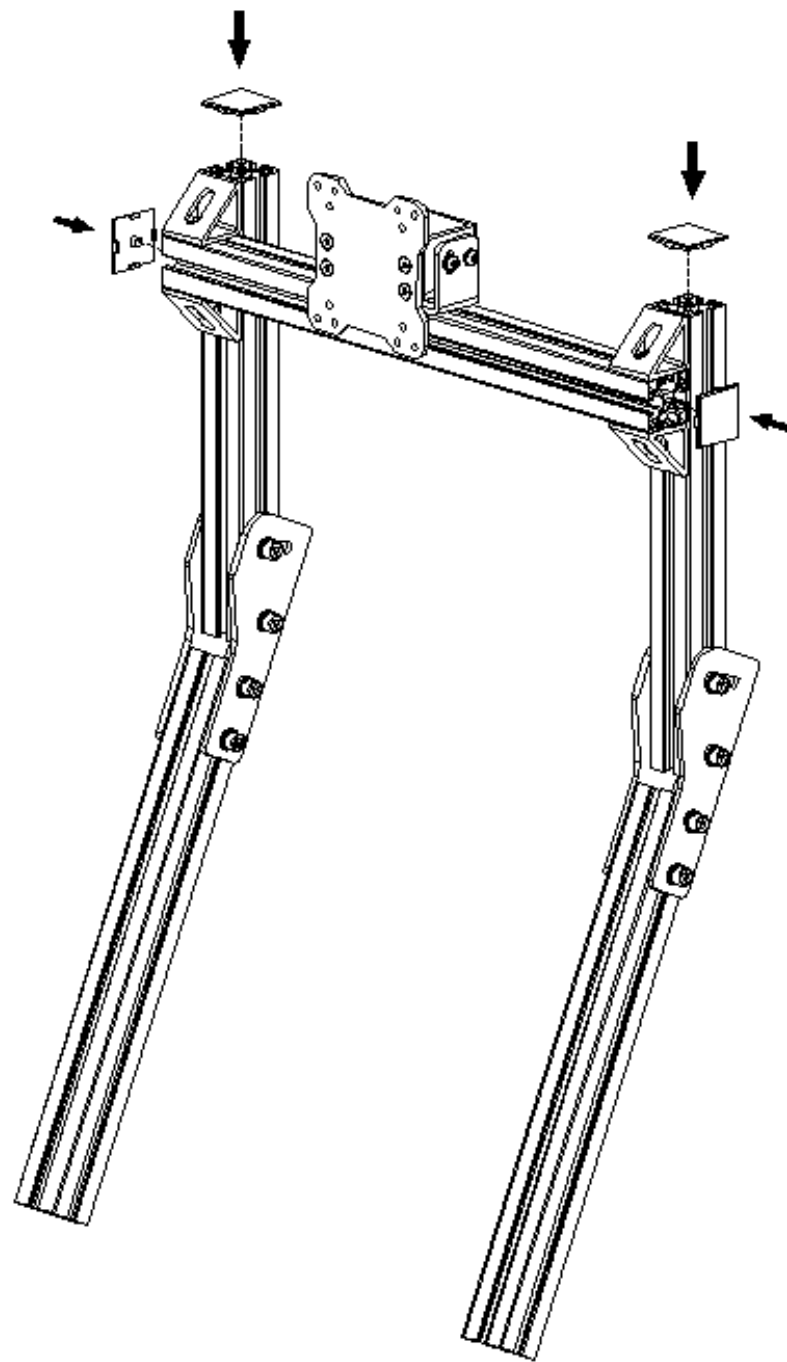


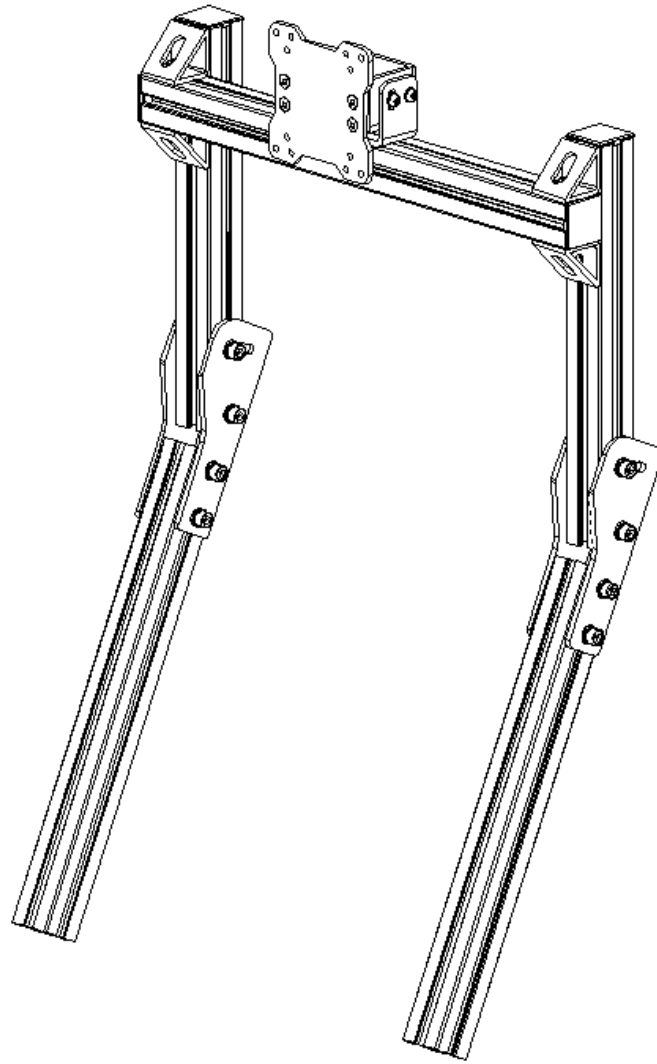
x1

- |   |   |   |
|---|---|---|
| (M8x16)<br>x2   | (Spring 8)<br>x2  | (Flat 8)<br>x2  |
|  |  |  |
| (M8 Nut)<br>x2  |   |   |
|  |   |   |



Alu Cover4040  
x4





*“Congratulations on completing your rig assembly. If you have any questions or encounter any problems, please contact us for support!”*