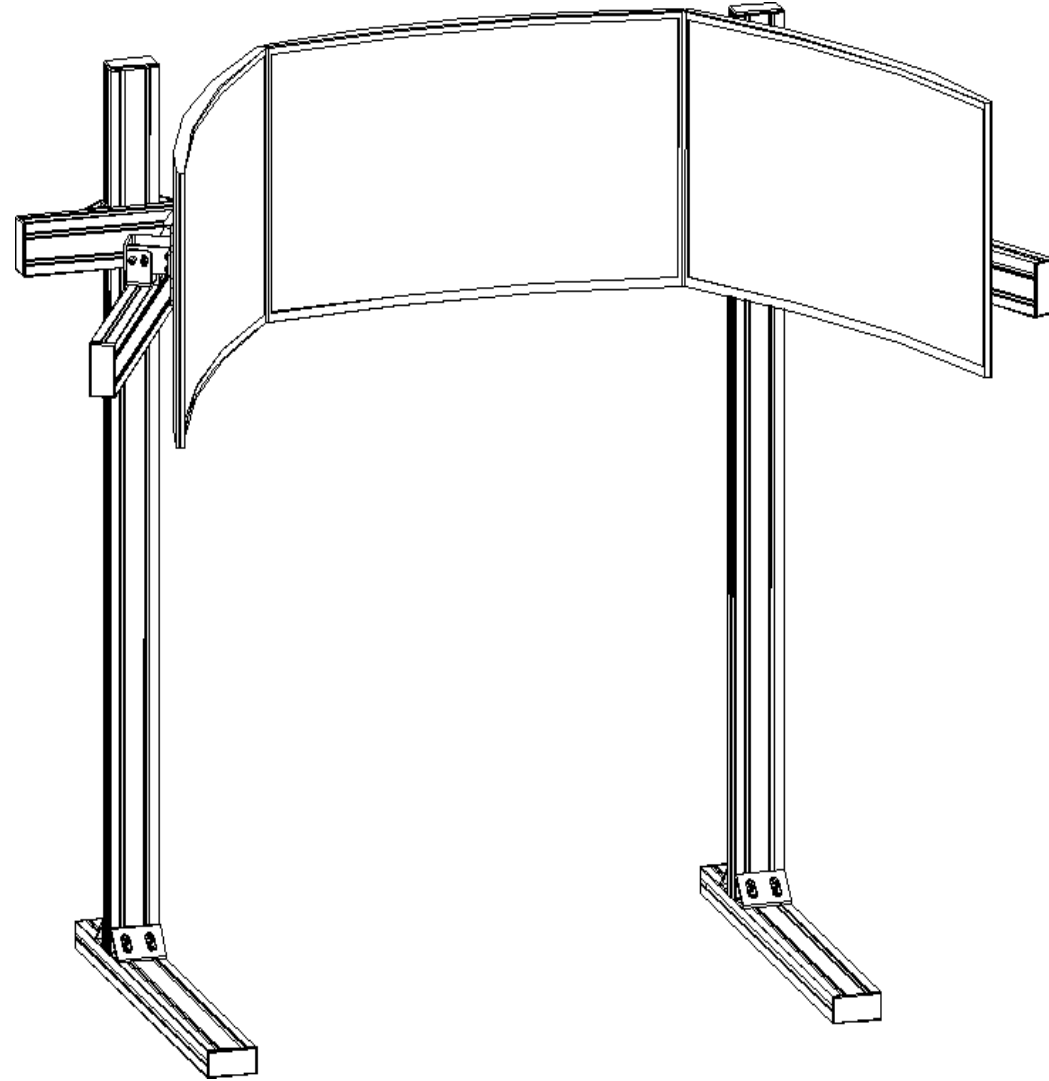




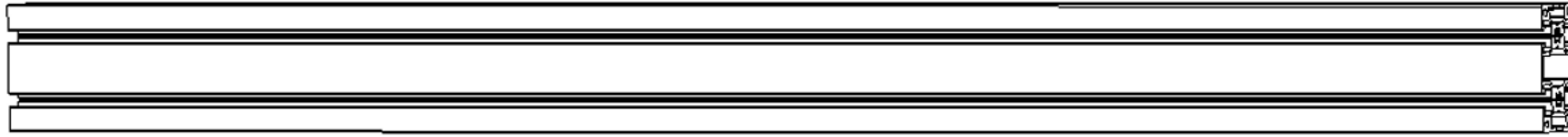
# Quick installation guide

## VNM Freestanding Triple Monitor Stand



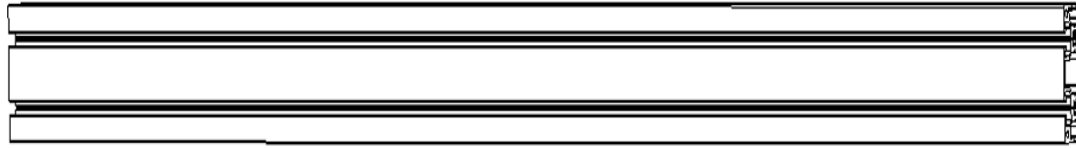
1

40x80x1300  
x3



2

40x80x720  
x4



Screen Mount  
x3

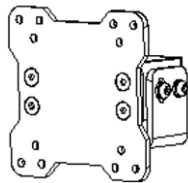
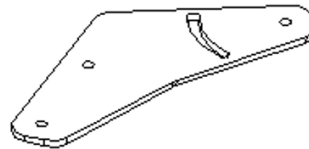
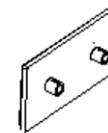


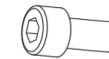
Plate Connector Alu  
x4



Alu Cover  
x10



M8x16  
x54



Vesa Extended  
x12



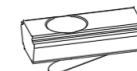
4080 Conner Alu  
x8



Flat, Spring M8  
x22

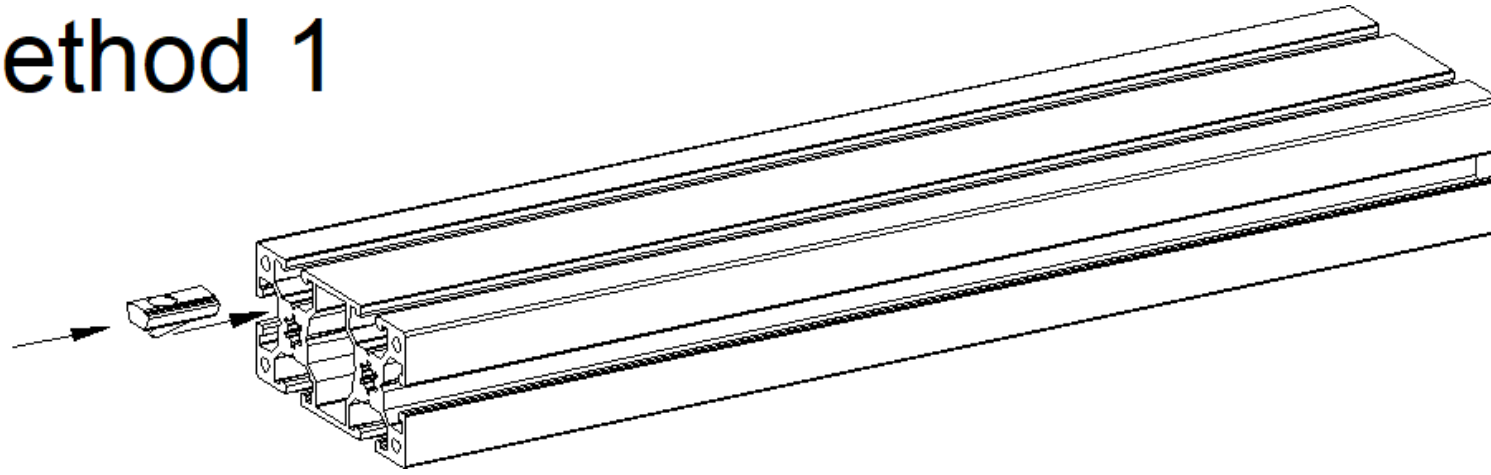


M8 Slider  
x54

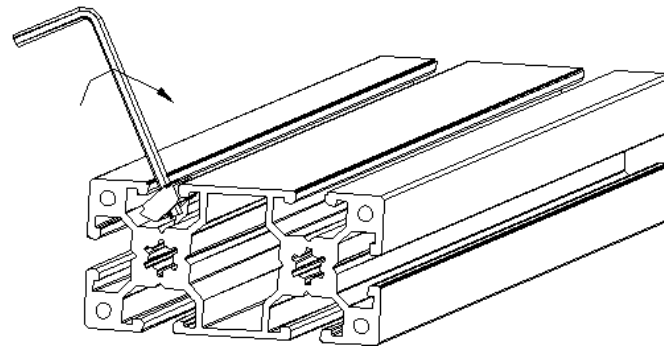


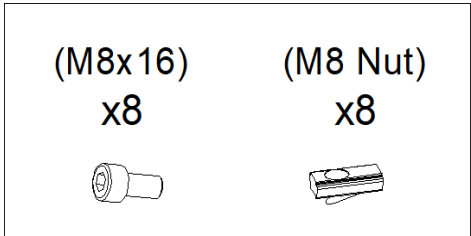
*If you are missing any parts, please contact our customer support team who can assist!*

# Method 1



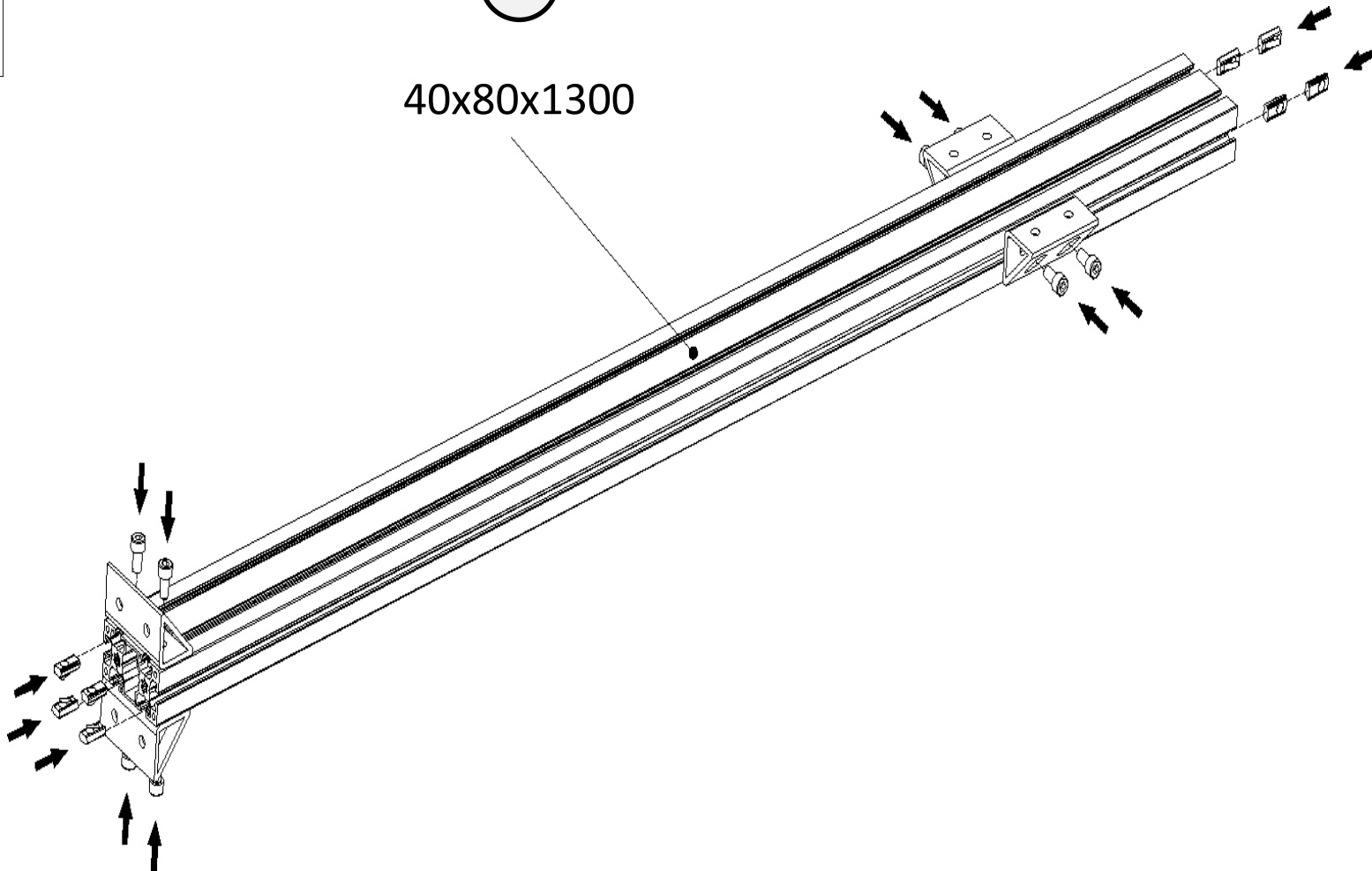
# Method 2





① x2

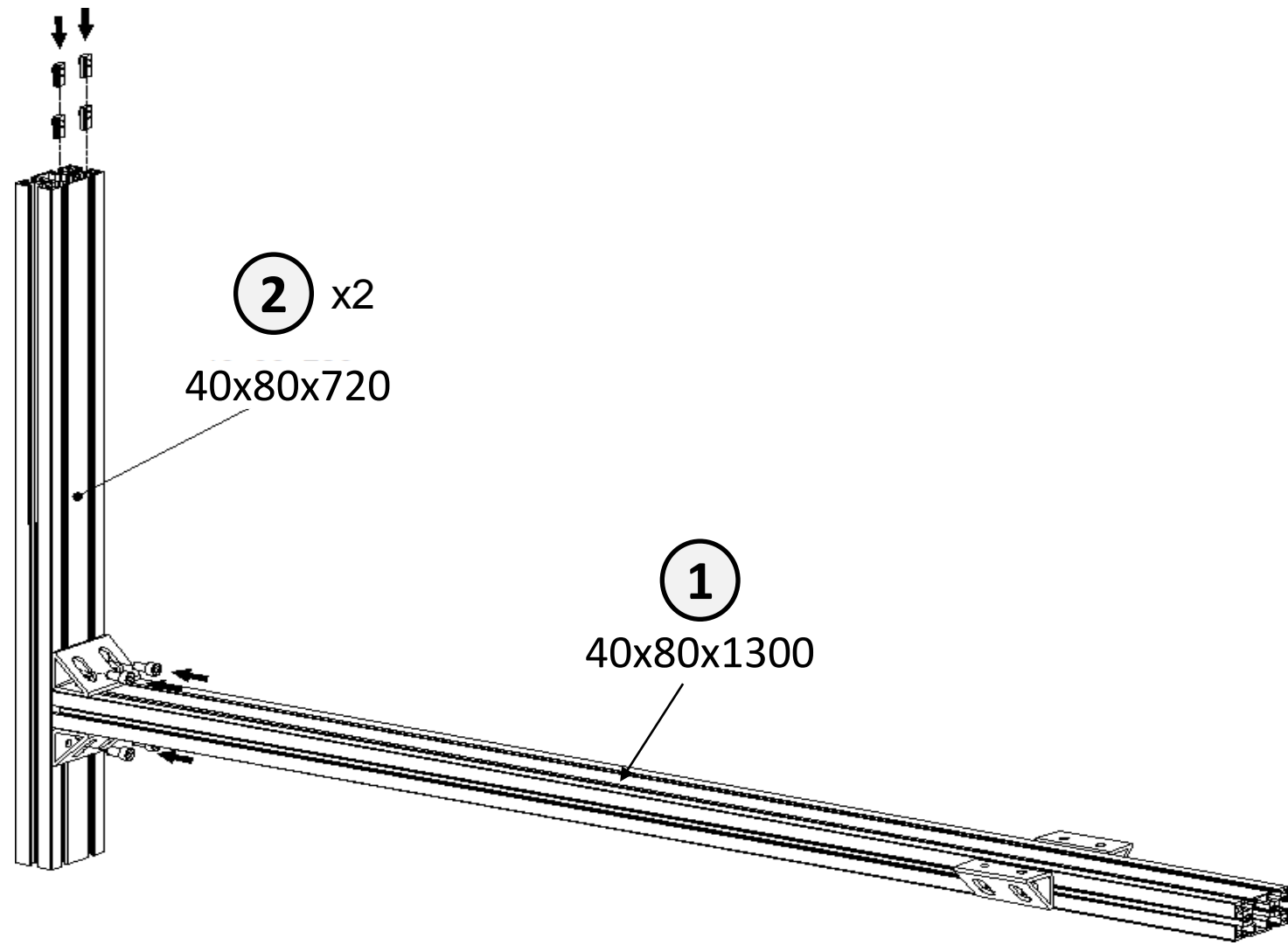
40x80x1300

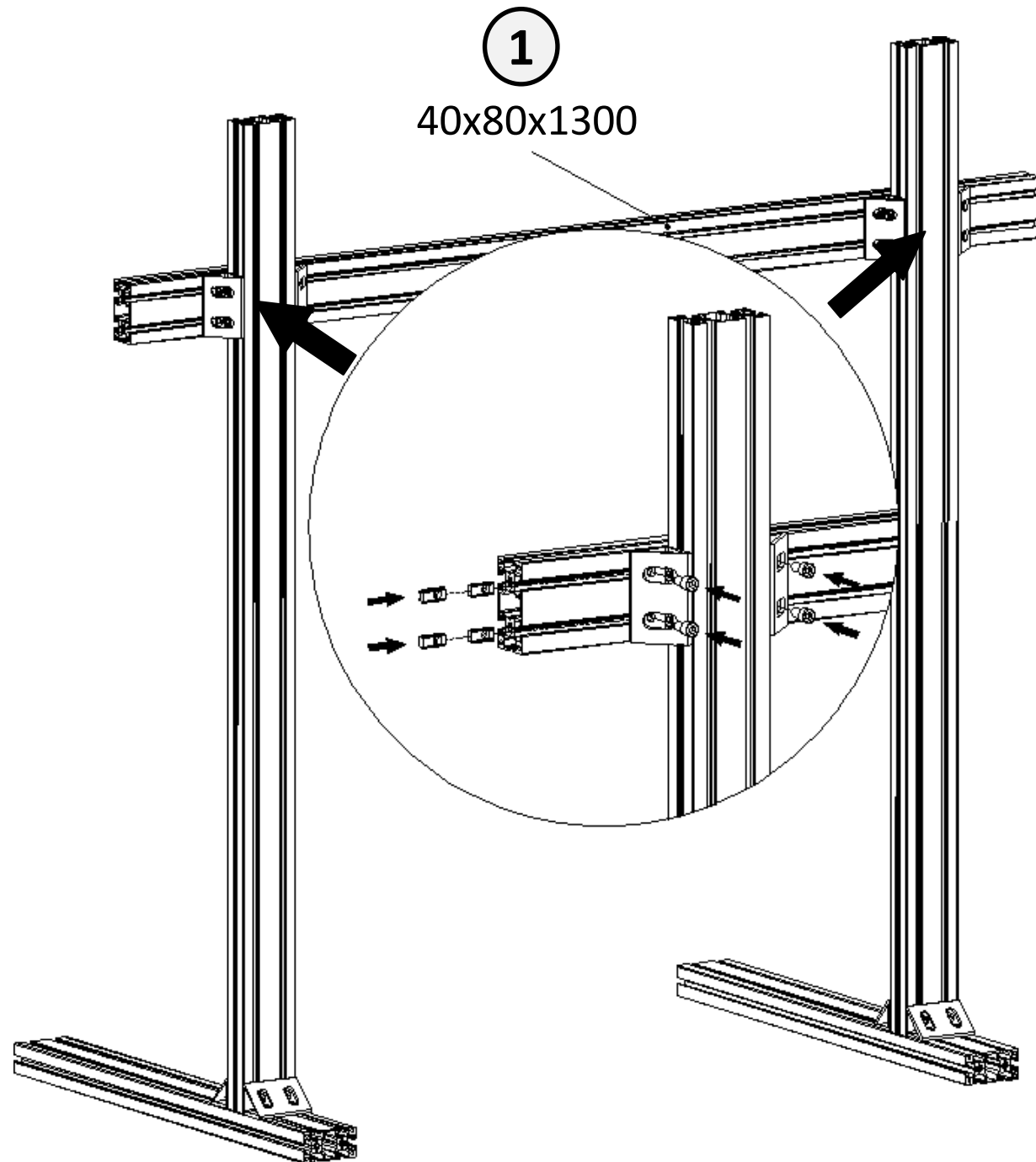
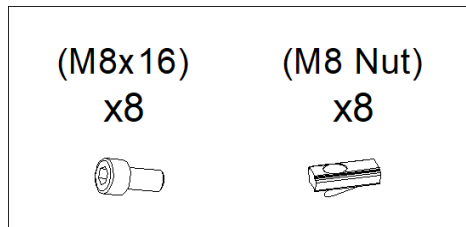






(M8x16)  
x4

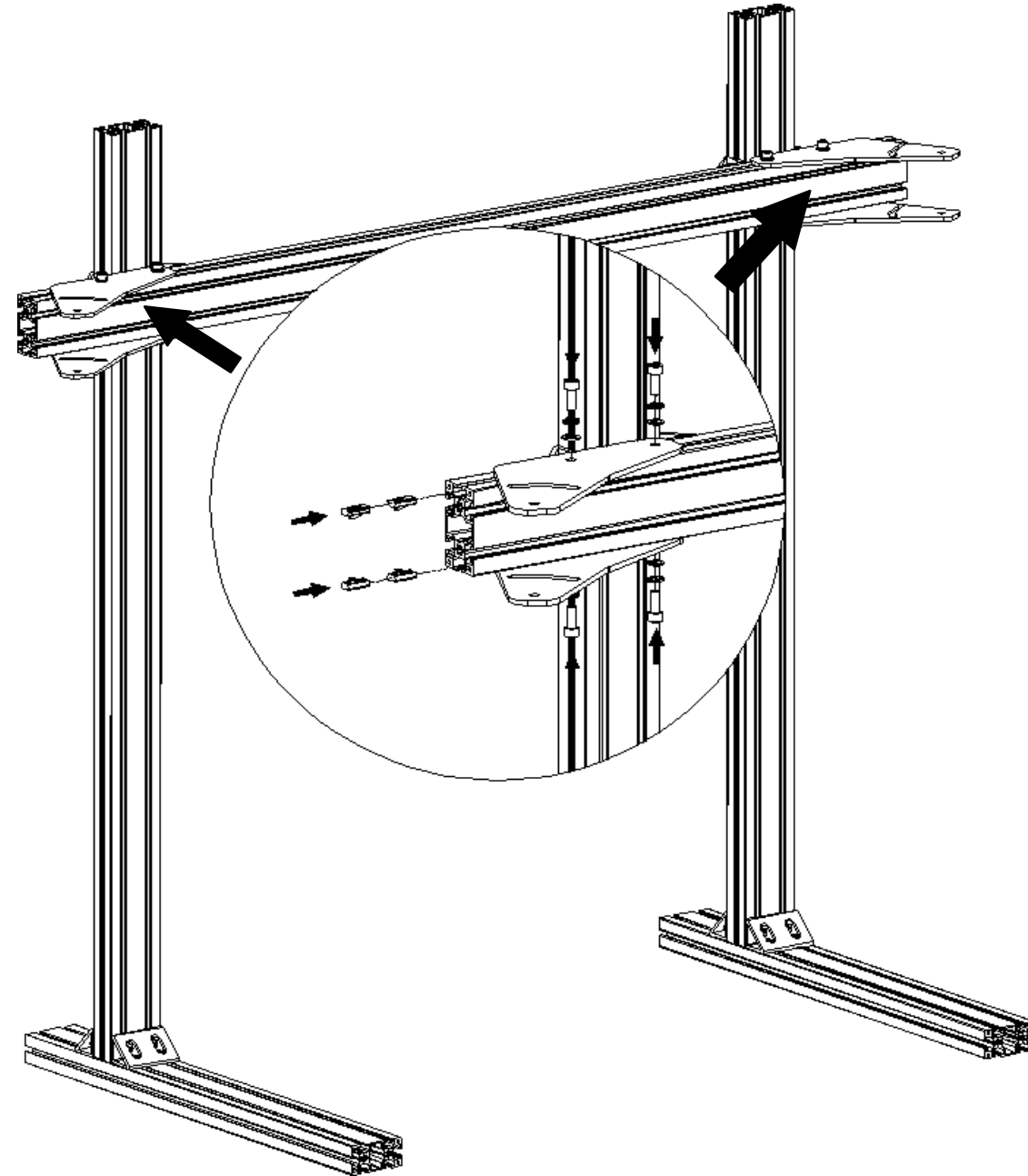


(M8 Nut)  
x4






(Flat 8) x8	(M8 Nut) x8
	
(M8x16) x8	(Spring 8) x8
	

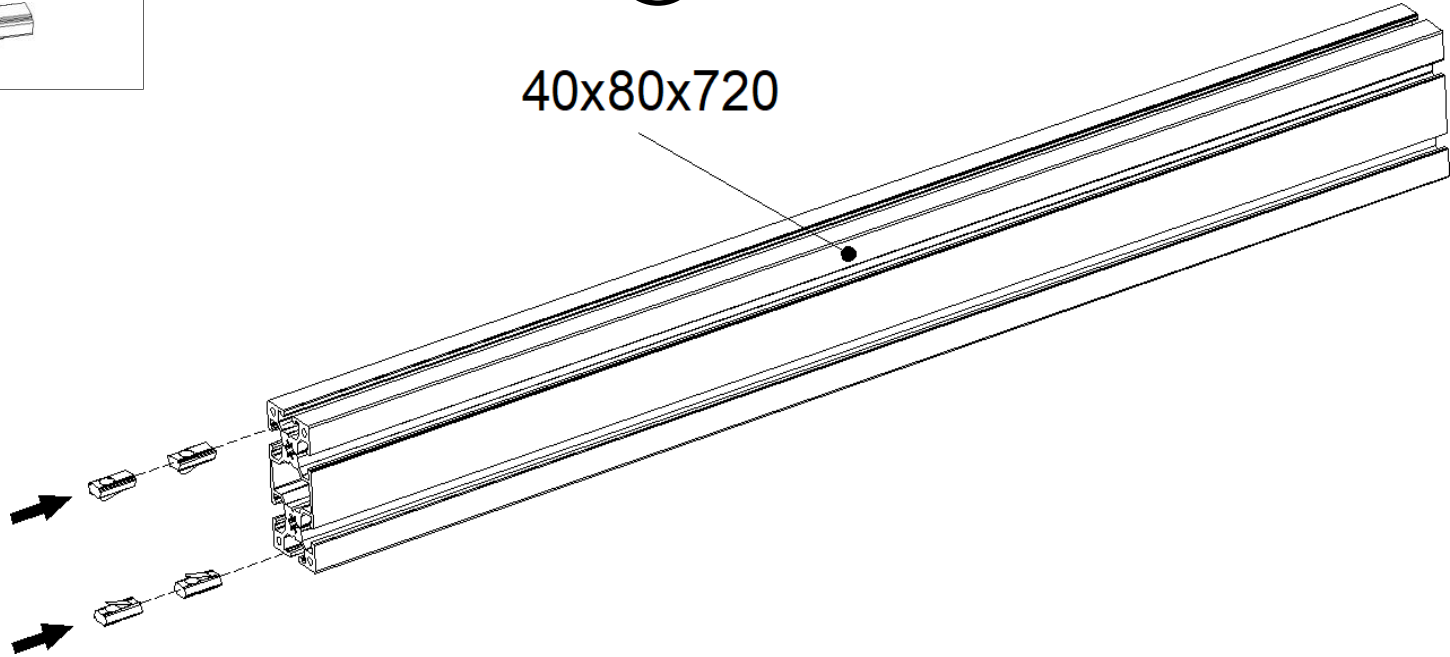





(M8 Nut)  
x4



② x2

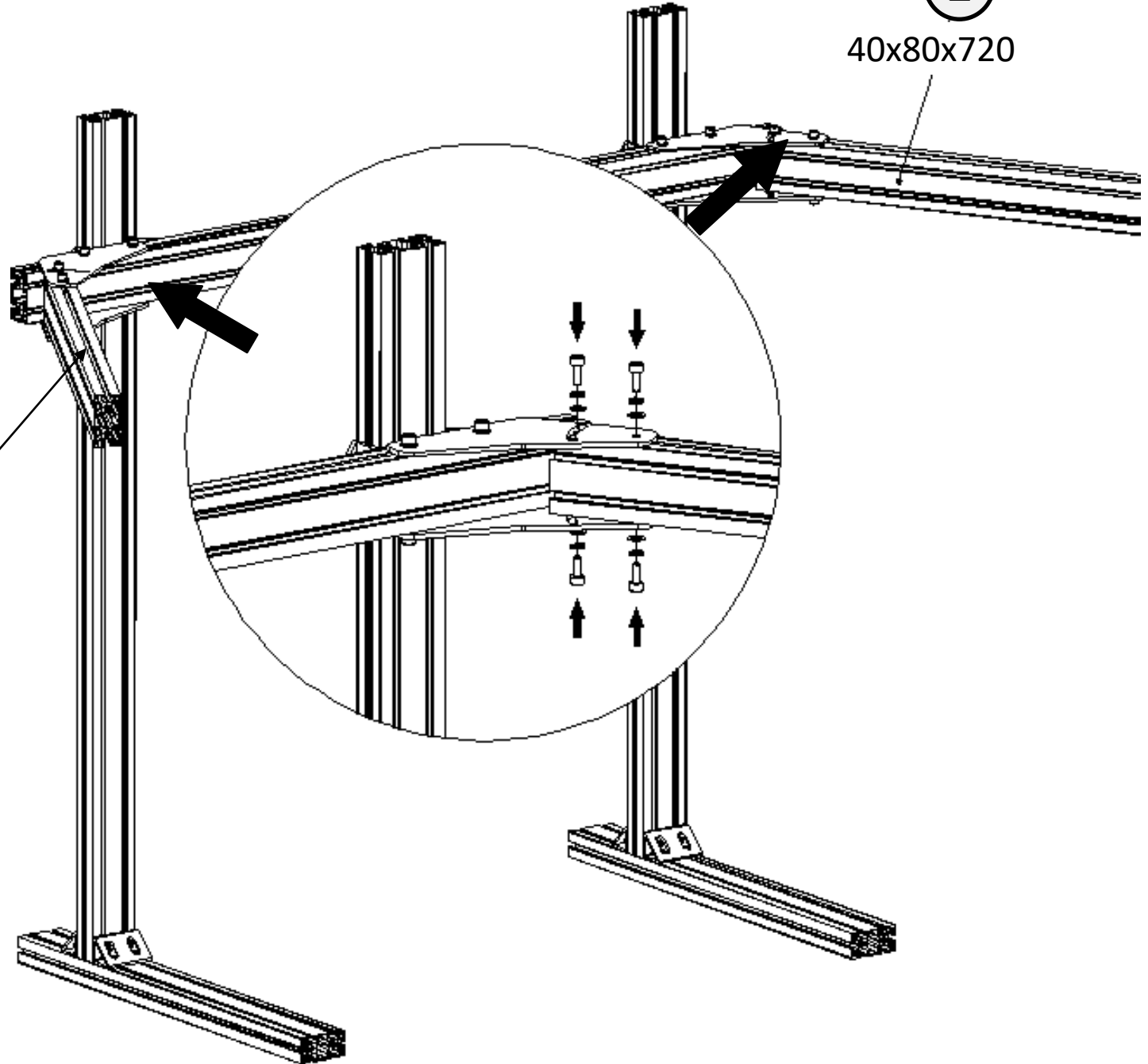
40x80x720

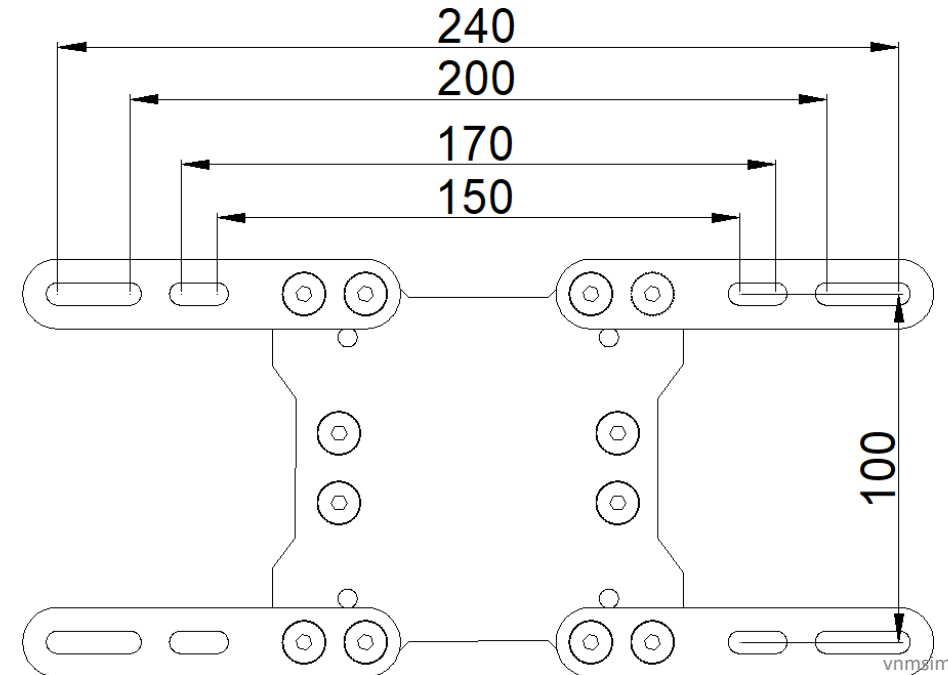
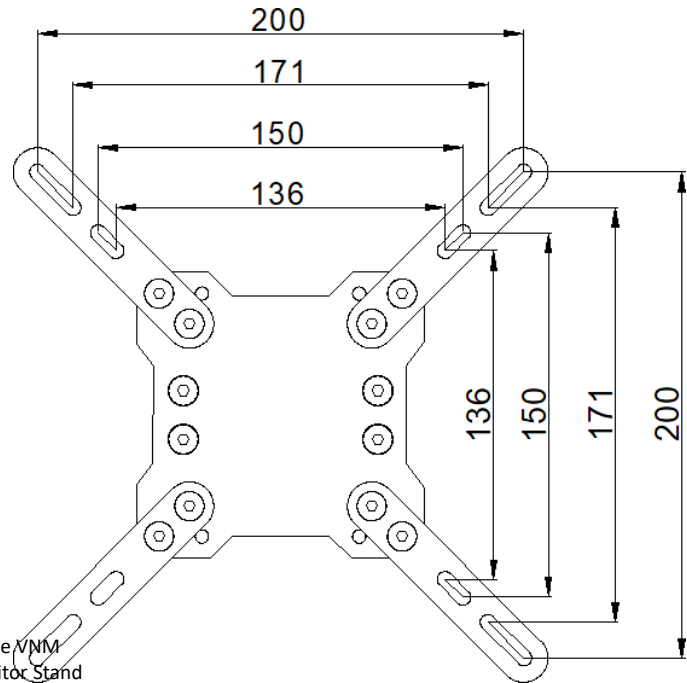
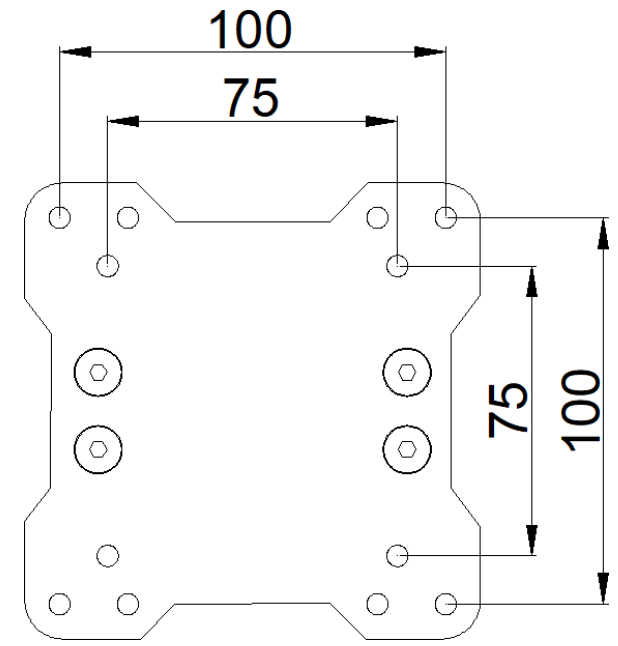
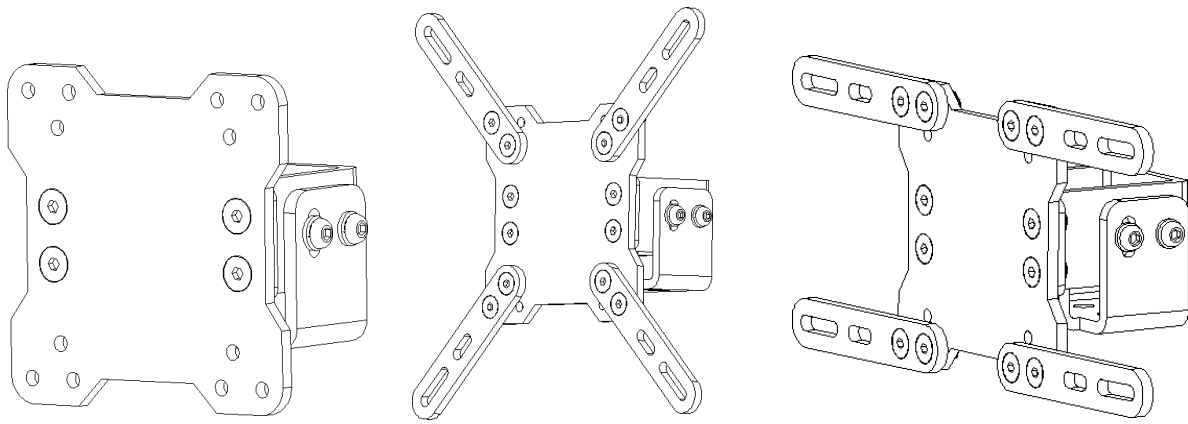


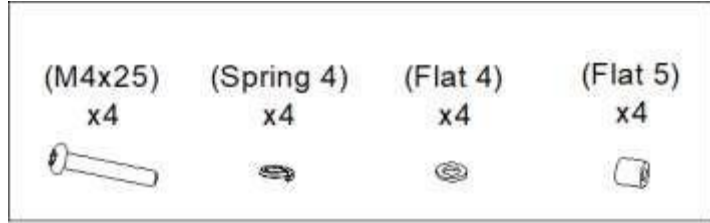
(M8x16) x8	(Spring 8) x8	(Flat 8) x8
		

②  
40x80x720

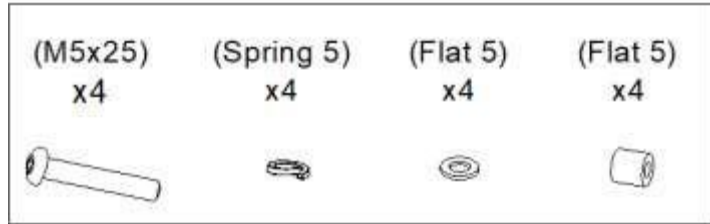
②  
40x80x720



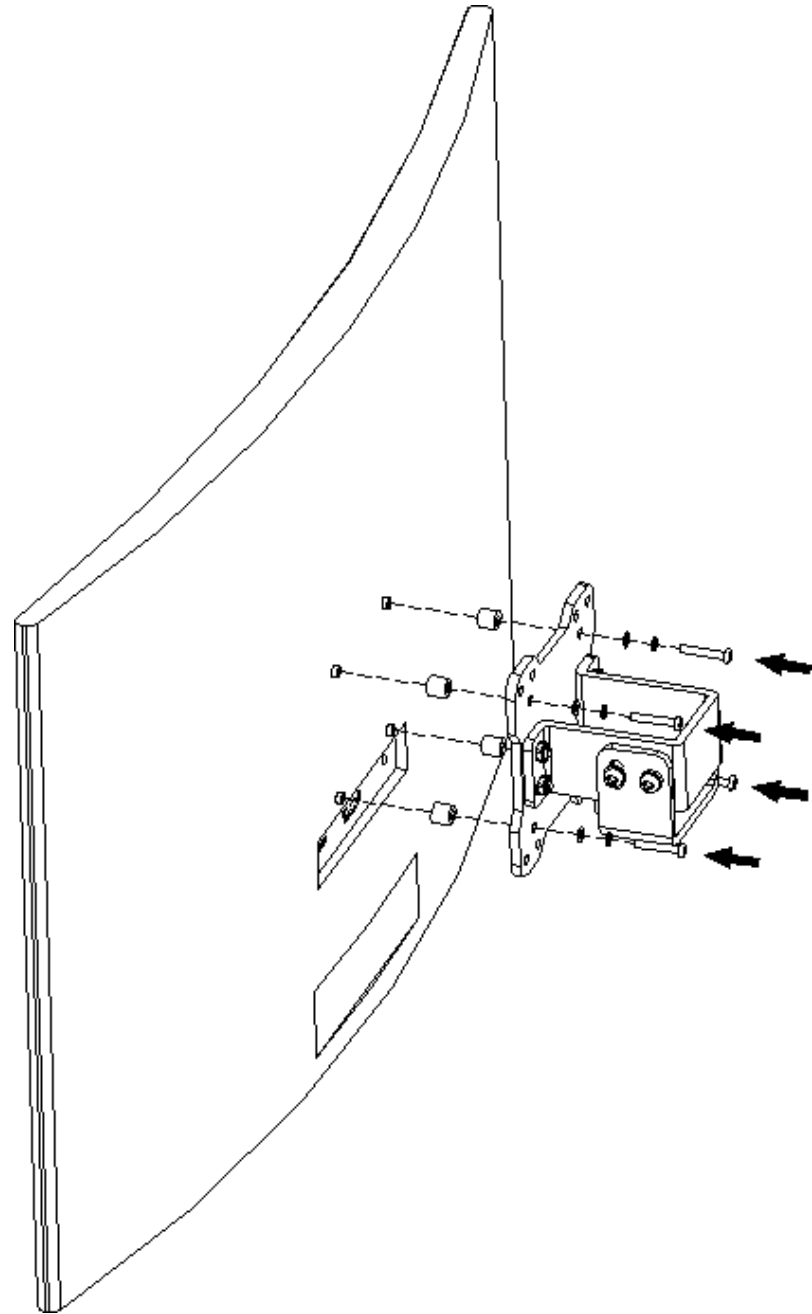








Or

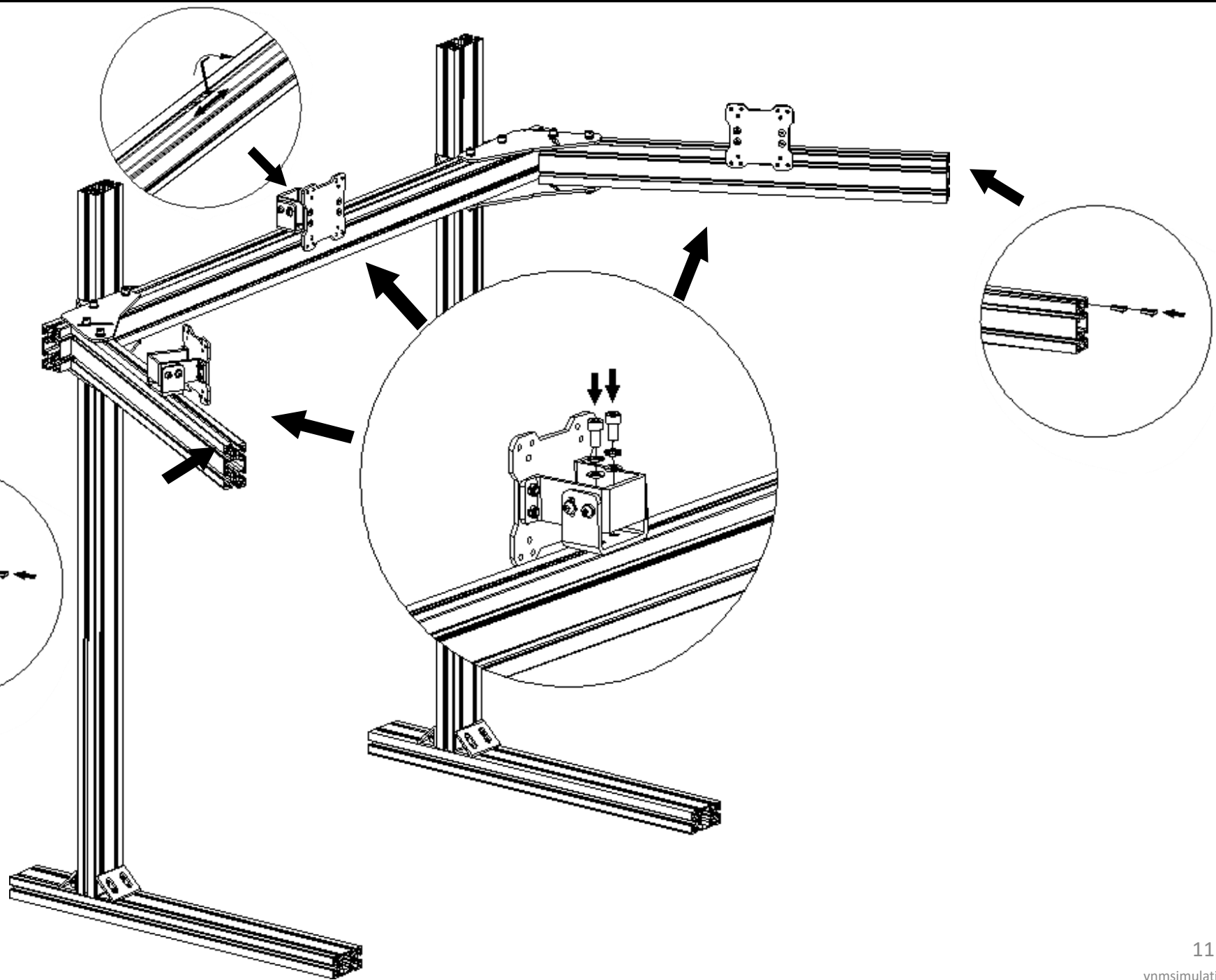
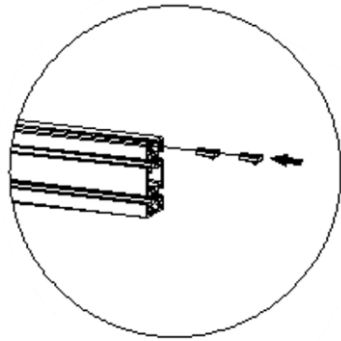


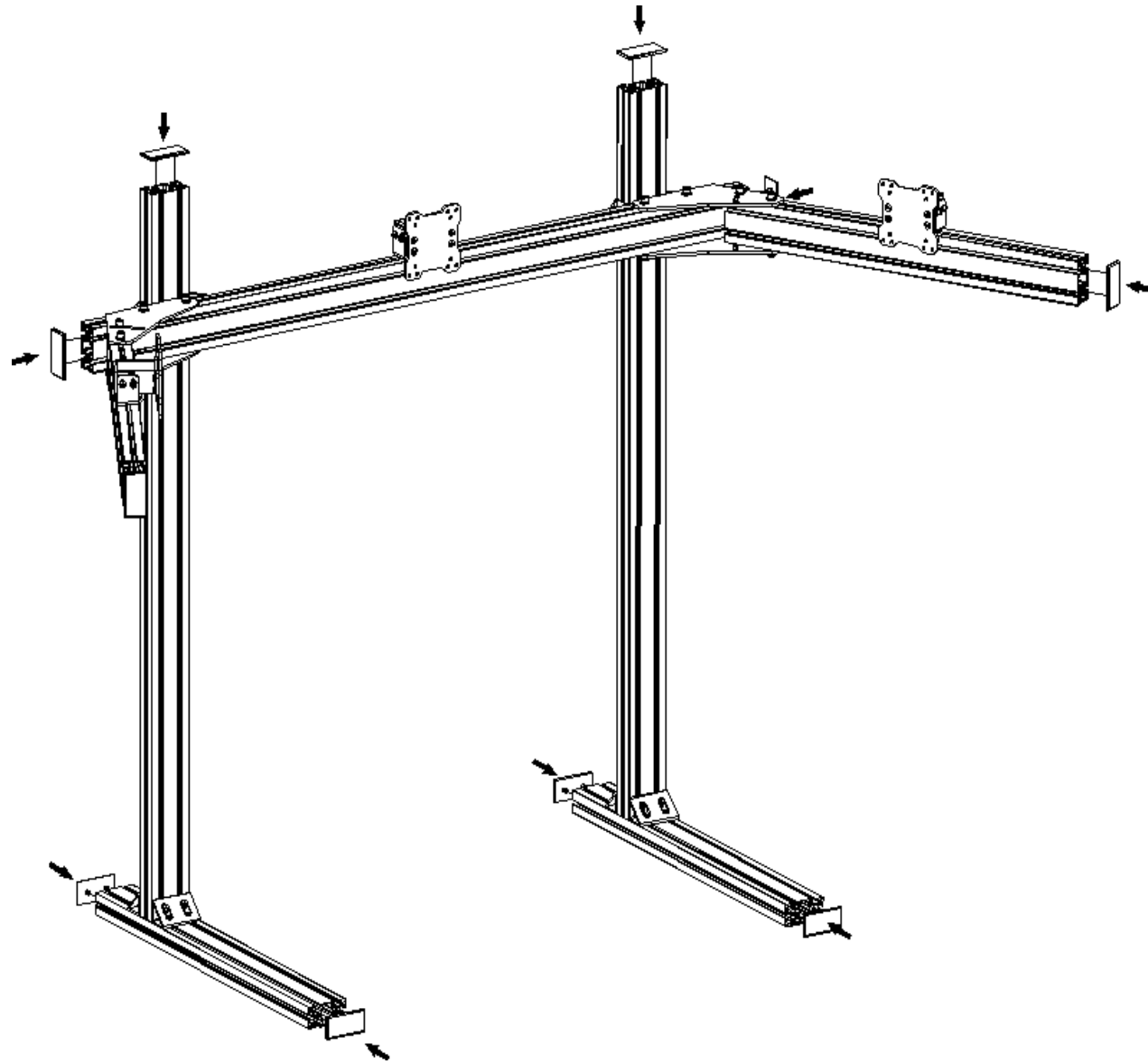
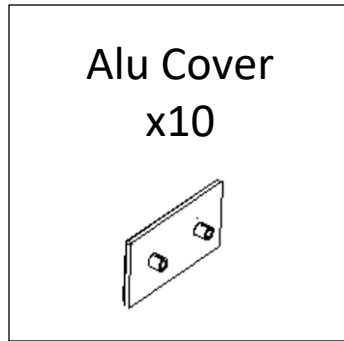
x3

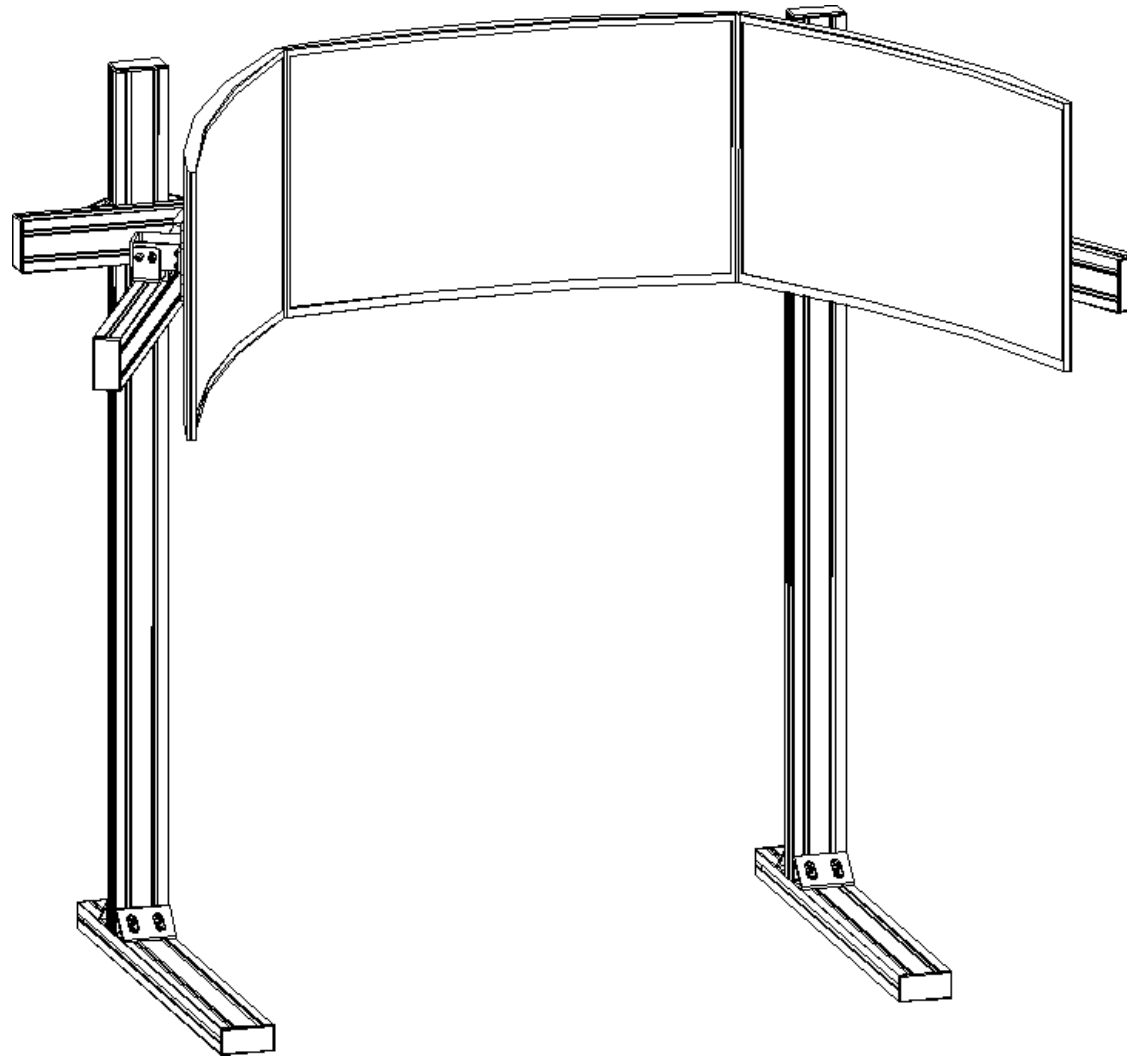


x3

- |   |   |   |
|---|---|---|
| (M8x16)<br>x6   | (Spring 8)<br>x6  | (Flat 8)<br>x6  |
|  |  |  |
|   | (M8 Nut)<br>x6  |   |
|   |  |   |







*“Congratulations on completing your rig assembly. If you have any questions or encounter any problems, please contact us for support!”*