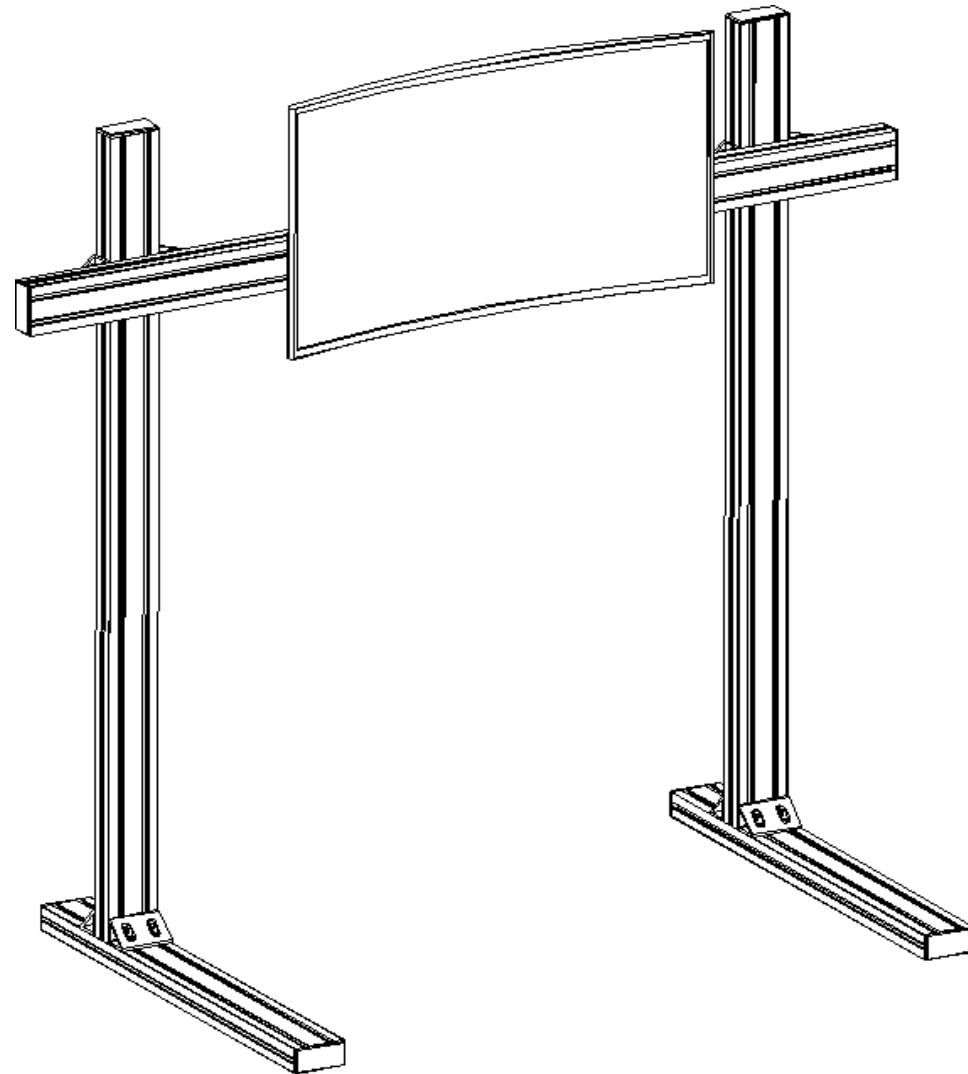




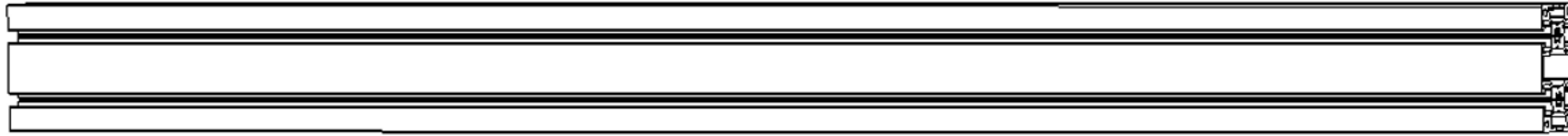
Quick installation guide

VNM Freestanding Single Monitor Stand



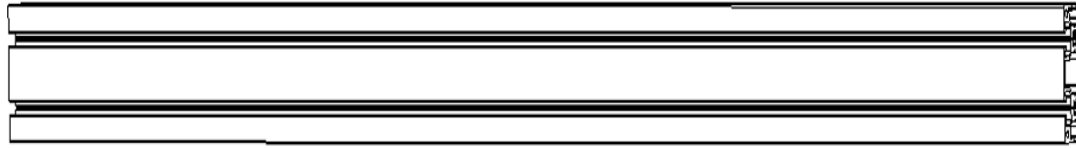
1

40x80x1300
x3

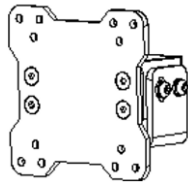


2

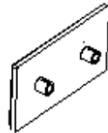
40x80x720
x2



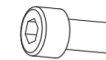
Screen Mount
x1



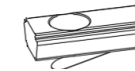
Alu Cover
x8



M8x16
x34



M8 Slider
x34



Vesa Extended
x4



4080 Conner Alu
x8

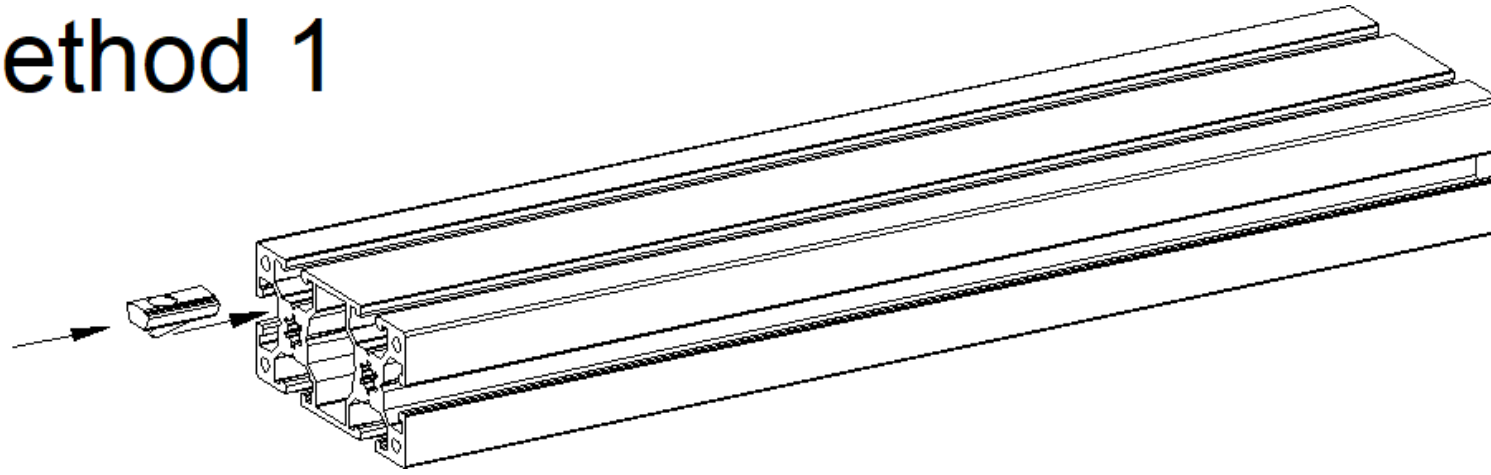


Flat, Spring M8
x2

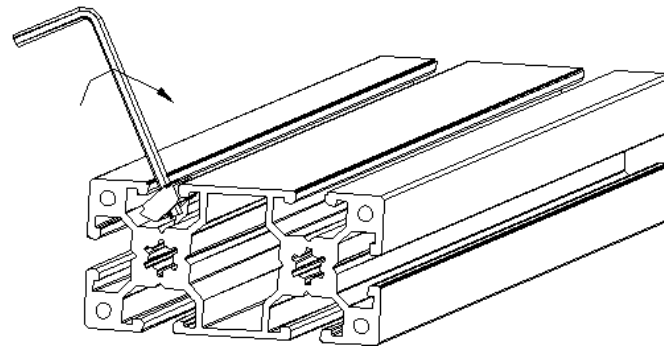


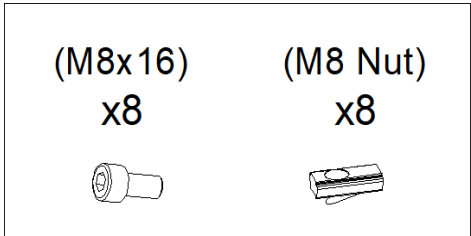
If you are missing any parts, please contact our customer support team who can assist!

Method 1



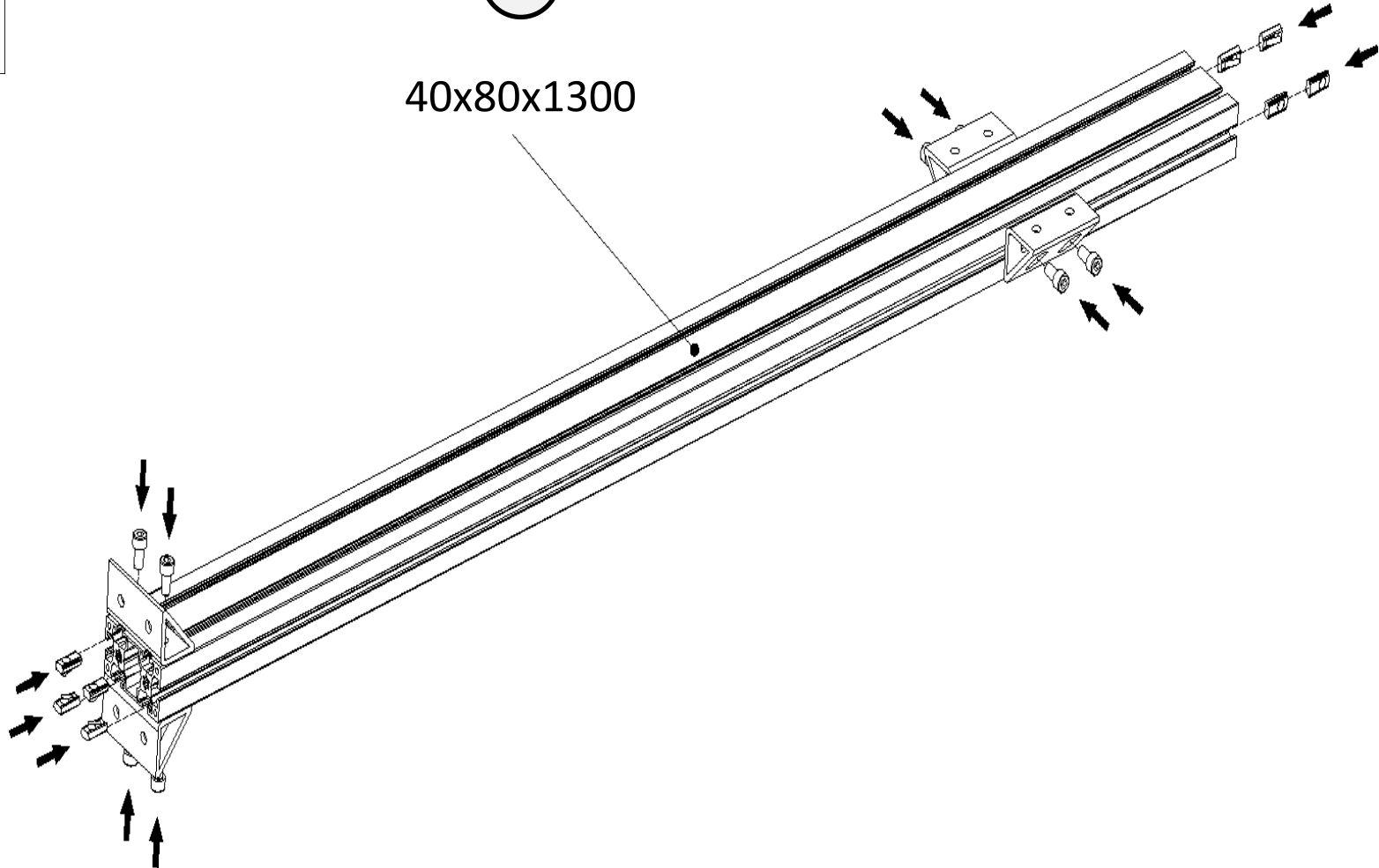
Method 2

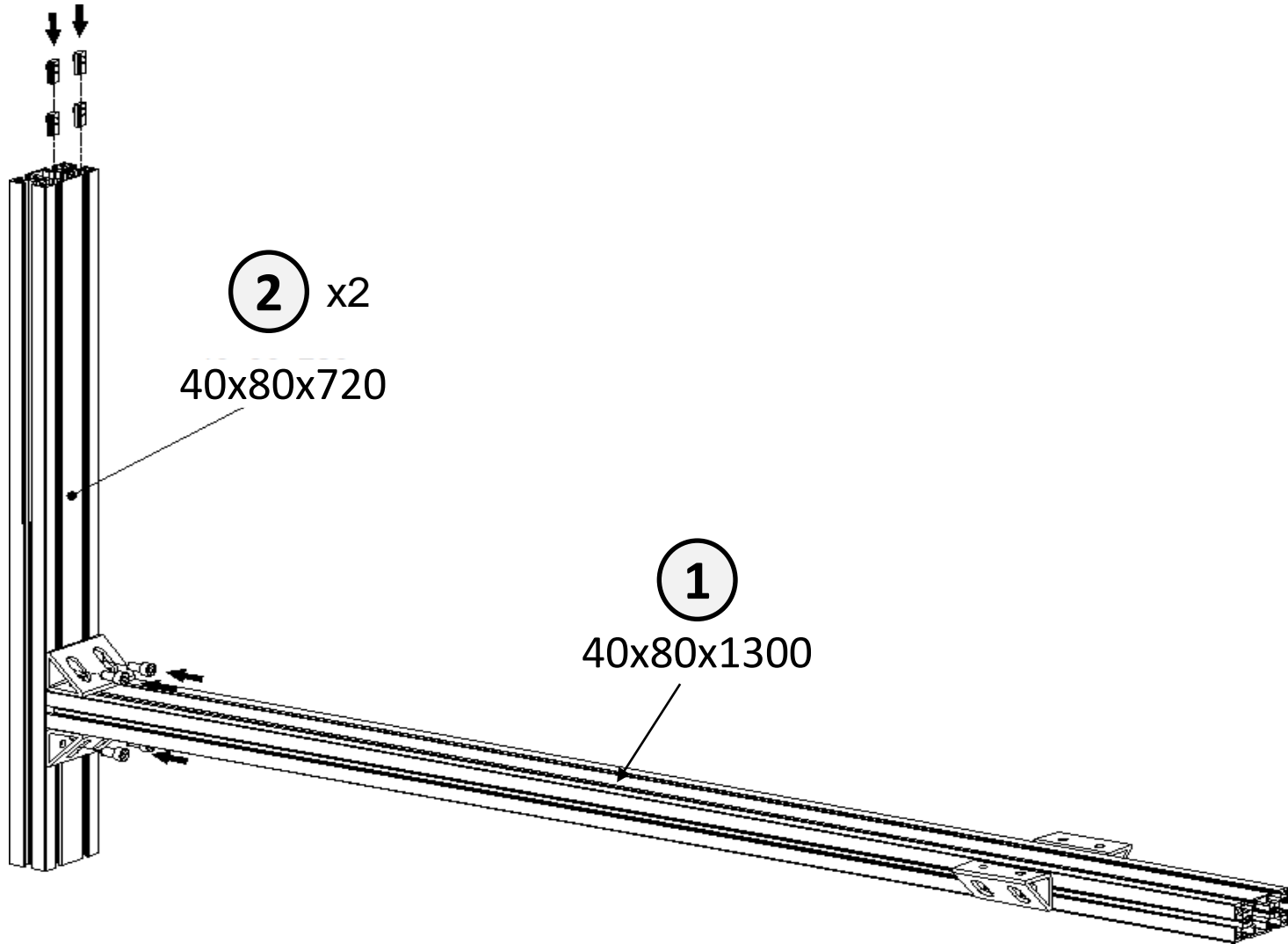
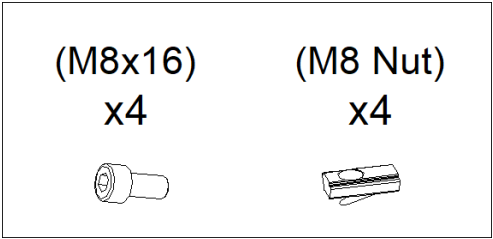


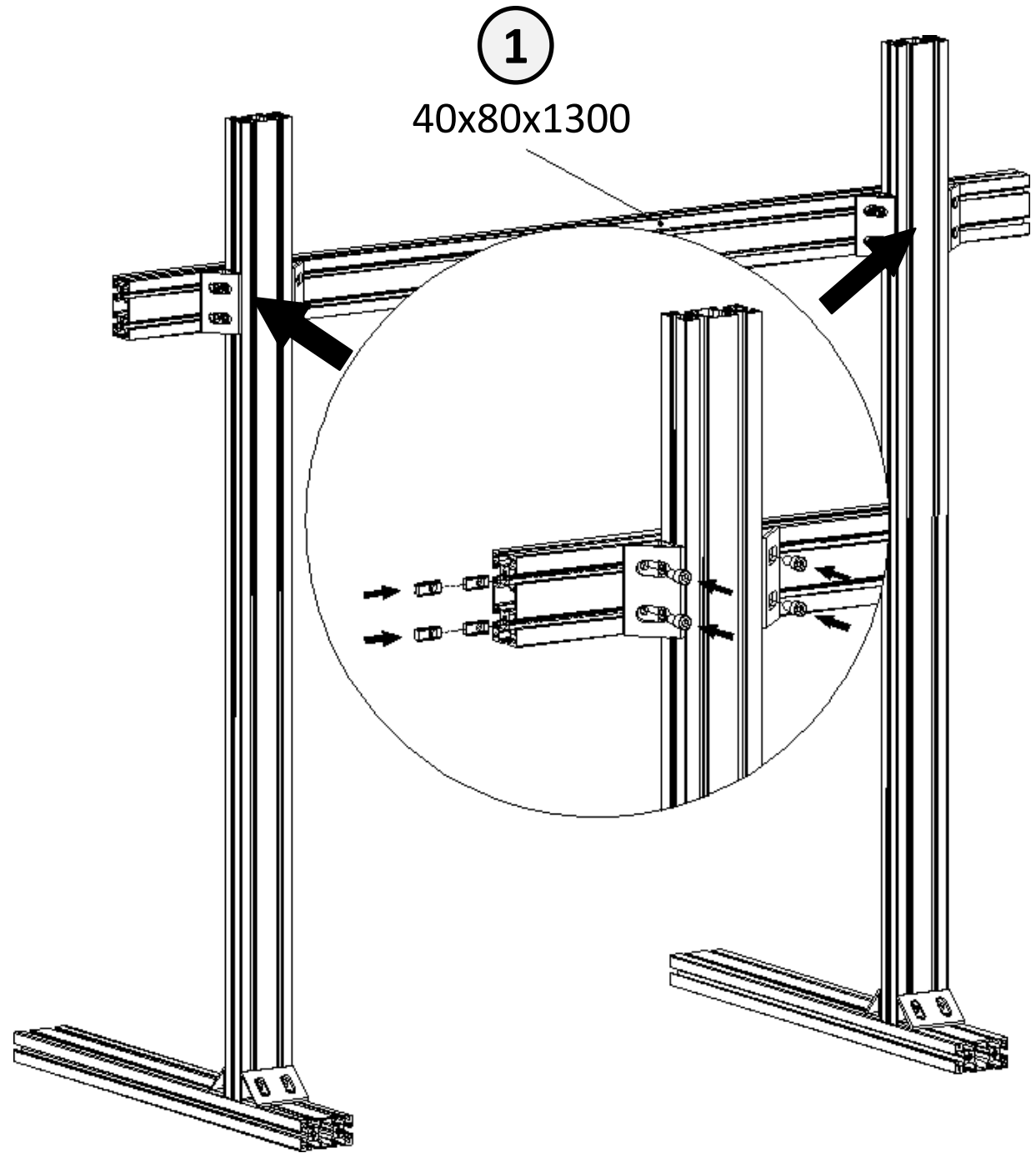
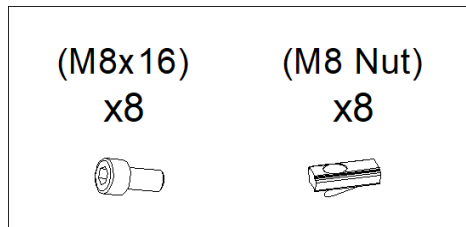


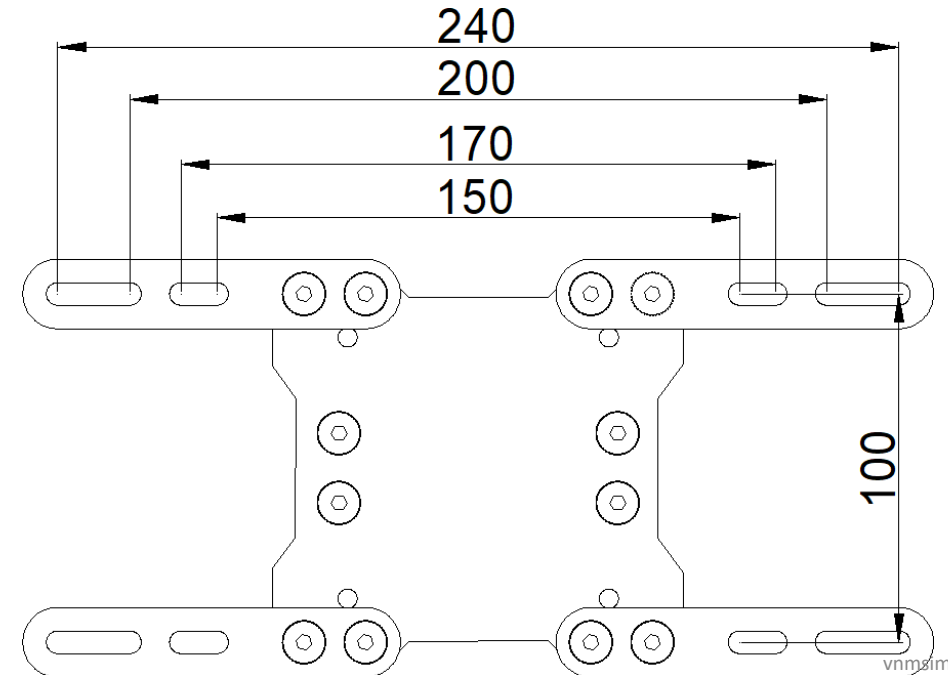
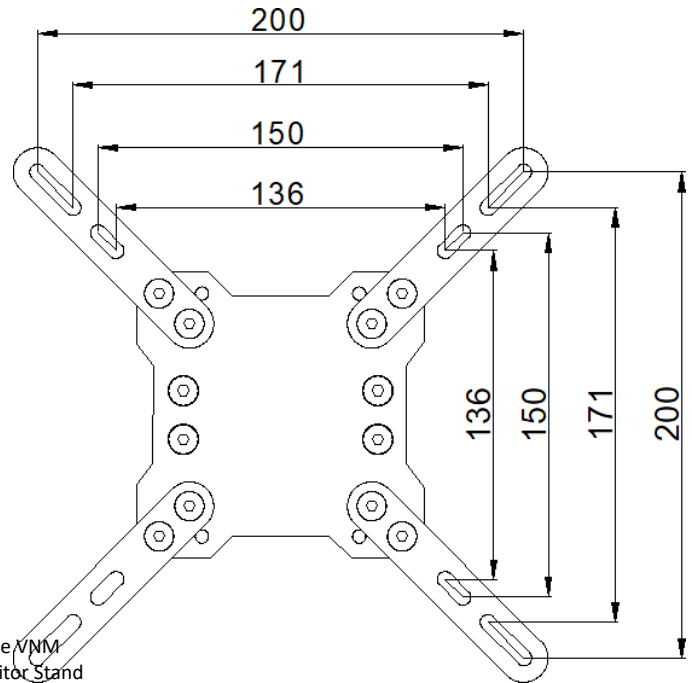
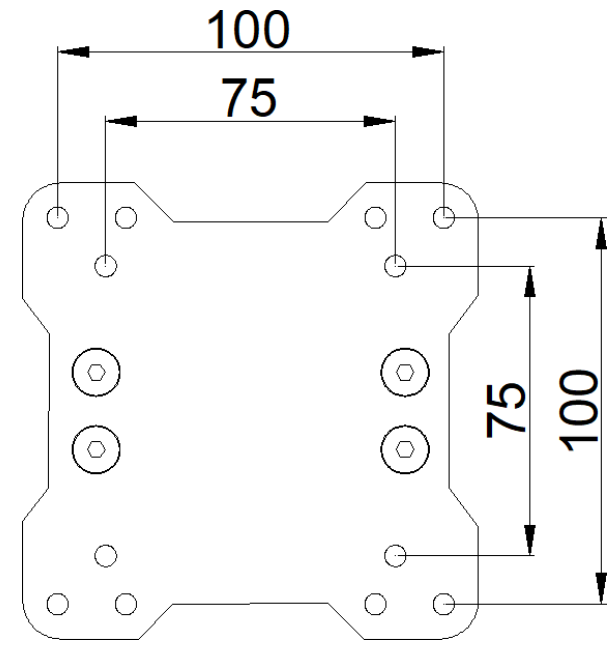
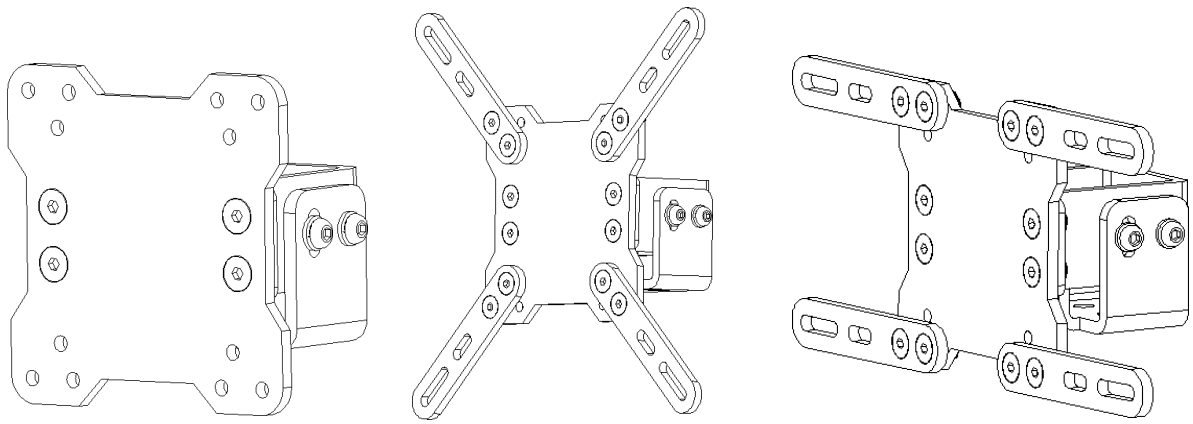
① x2

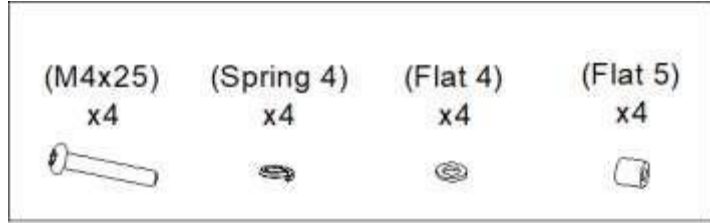
40x80x1300



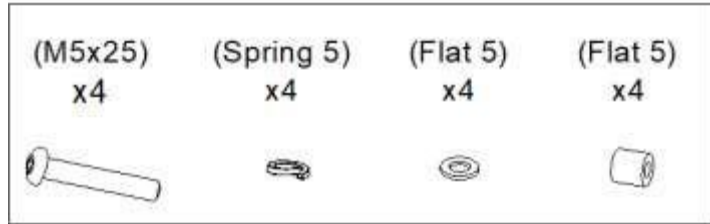




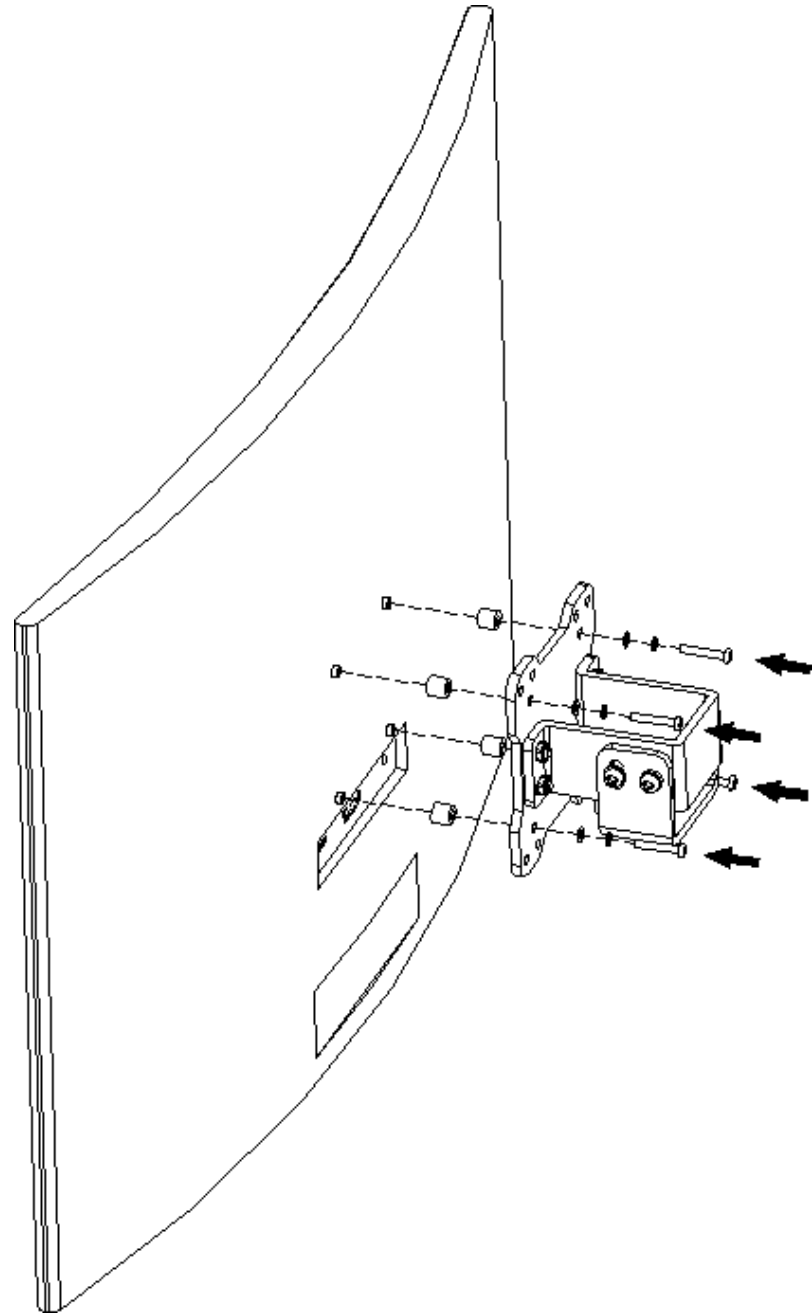








Or

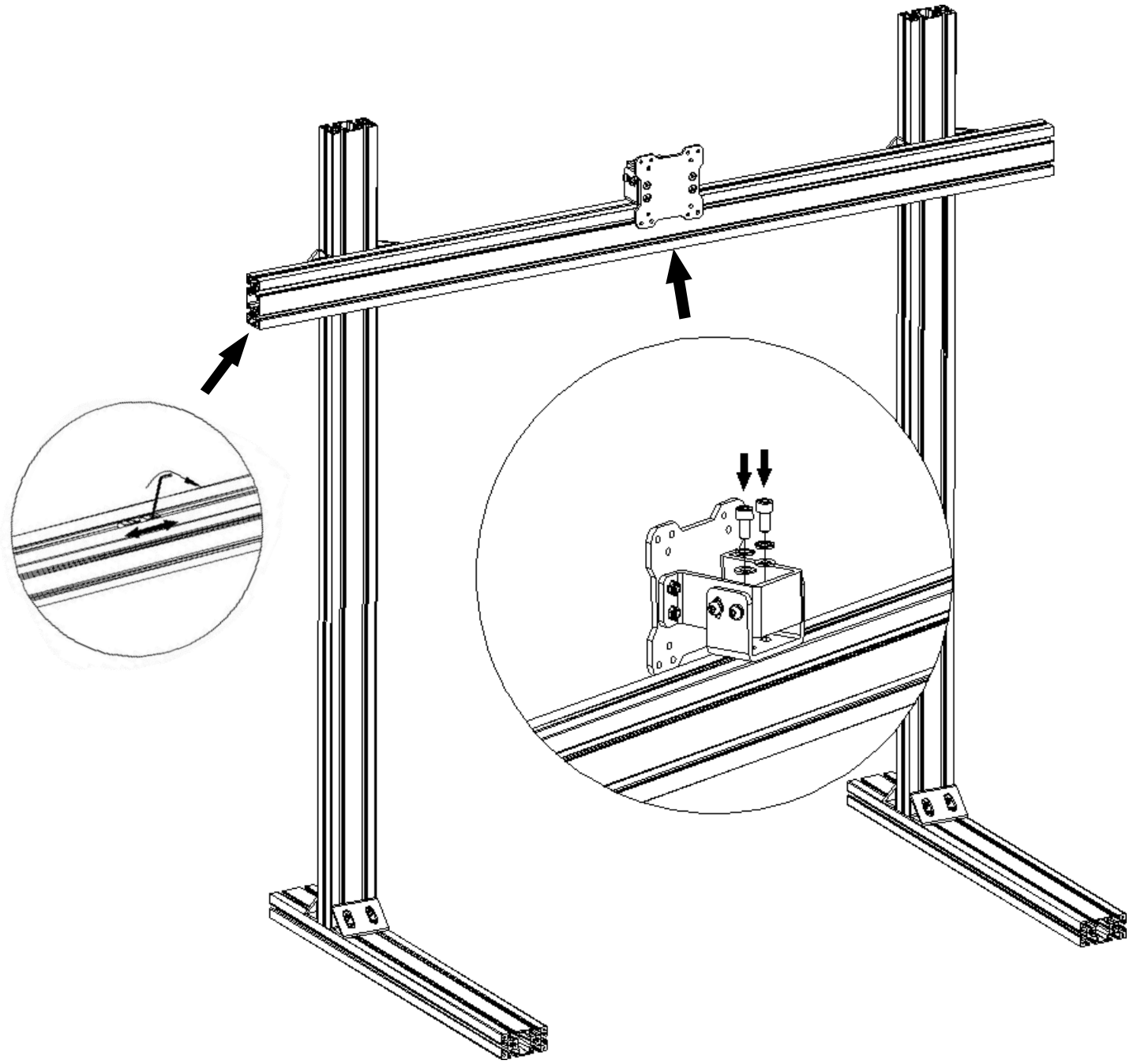


x1

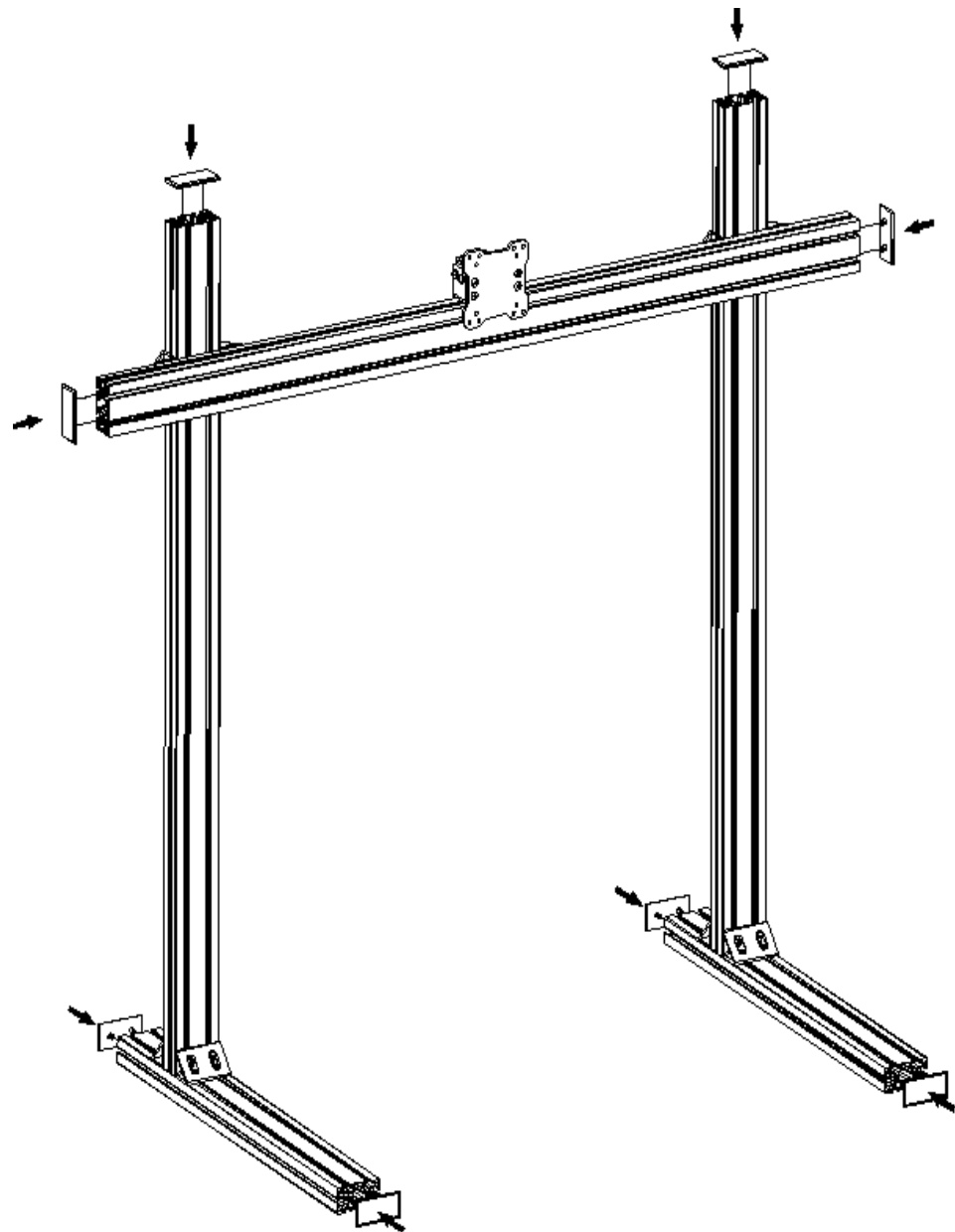
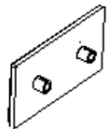


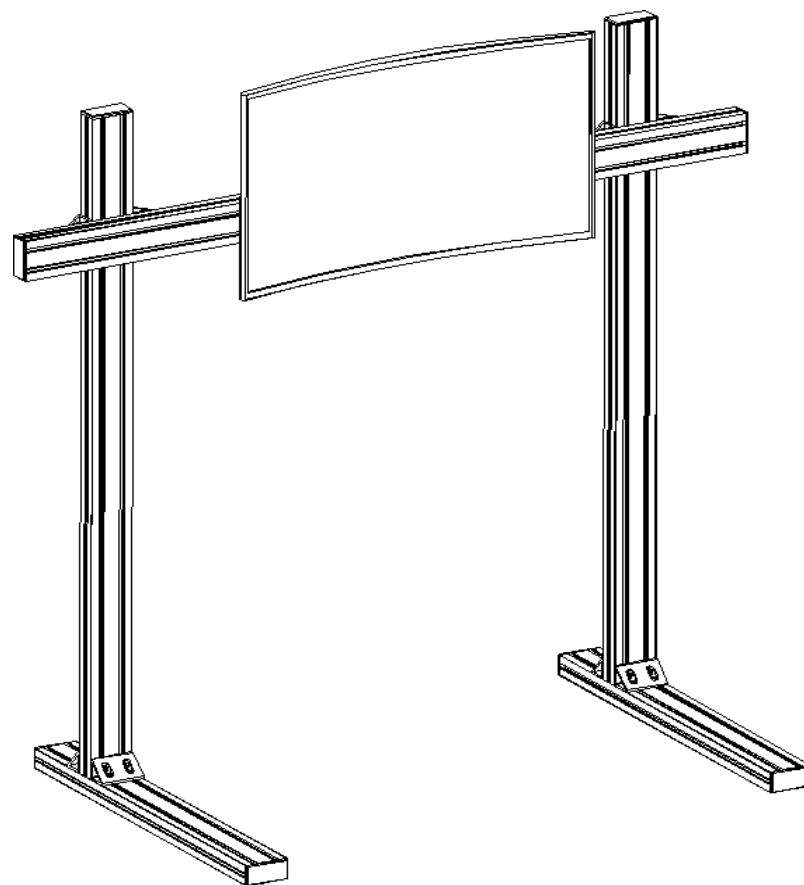
x1

- | | | |
|---|---|---|
| (M8x16)
x2 | (Spring 8)
x2 | (Flat 8)
x2 |
|  |  |  |
| | (M8 Nut)
x2 | |
| |  | |



Alu Cover
x8





“Congratulations on completing your rig assembly. If you have any questions or encounter any problems, please contact us for support!”