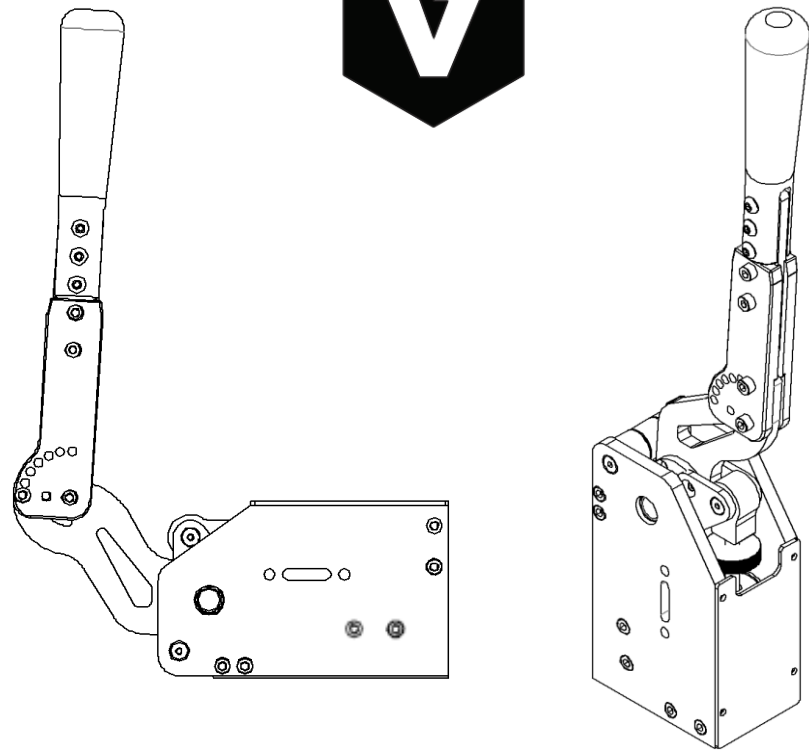
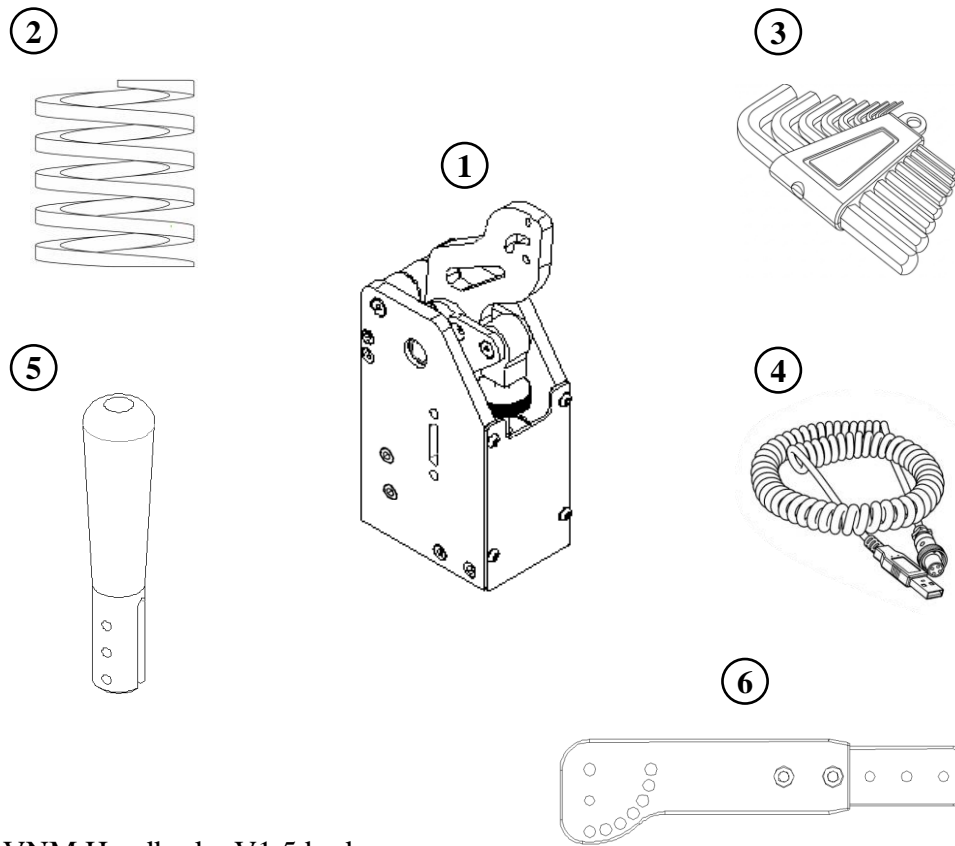


VNM HANDBRAKE V1.5

Quick Guide



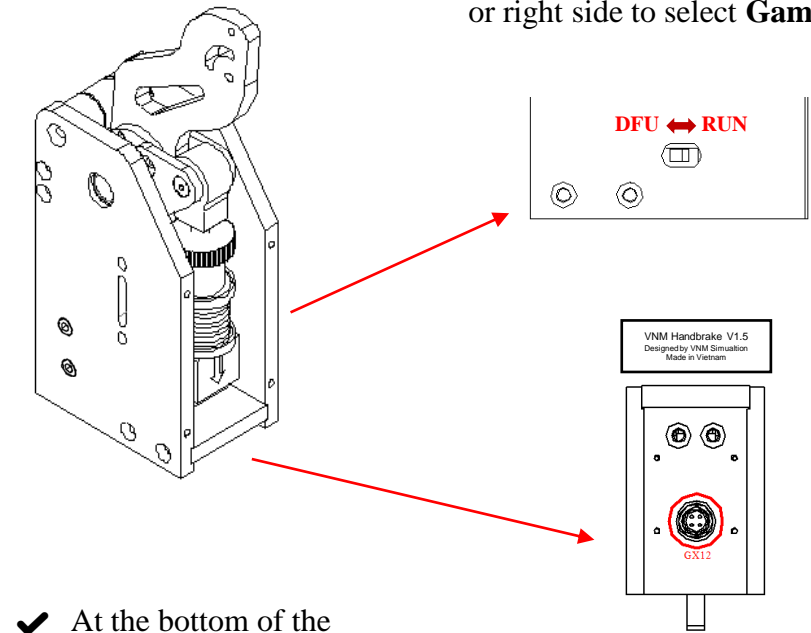
Content



- 1. VNM Handbrake V1.5 body
- 2. Red (stiffest), blue (stiffer) springs
- 3. Allen key set & screw
- 4. USB A male – GX12 male cable
- 5. Handle & Attached screws
- 6. Handle extension & Degree conversion adapter & Attached screws

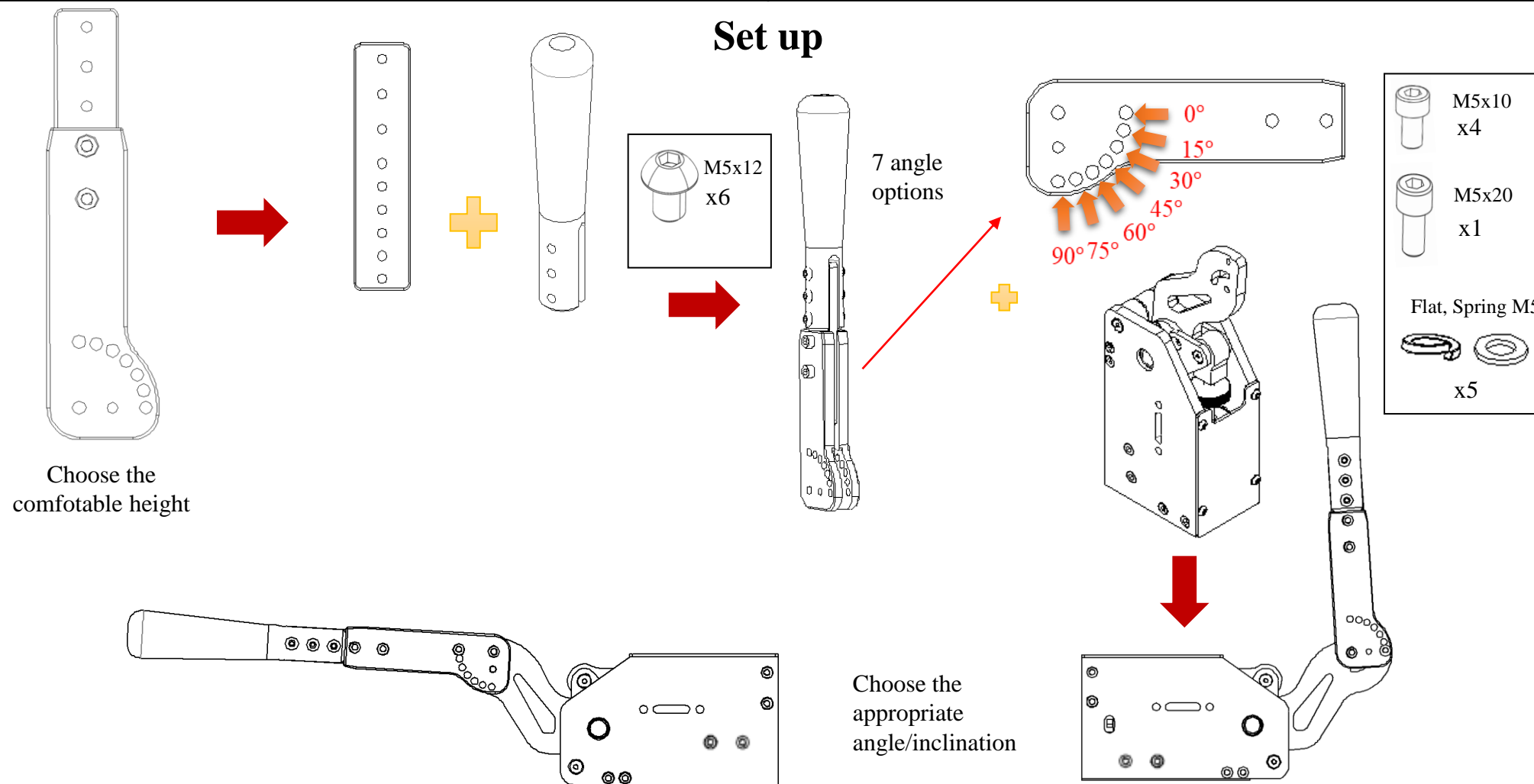
Connection

- ✓ On the right side of the Handbrake is:
Switch **DFU/Game Mode**
Slide left side to select **DFU Mode**
or right side to select **Game Mode**



- ✓ At the bottom of the Handbrake: GX12 female port

Set up



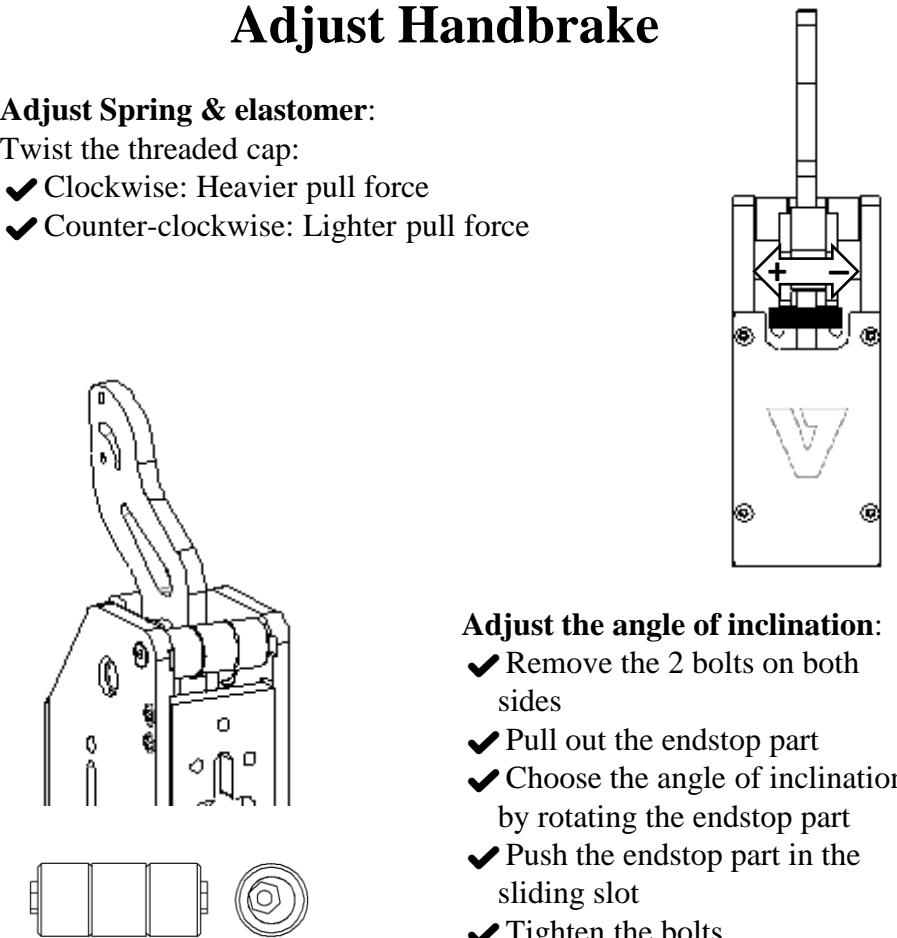
VNM Handbrake V1.5 set up for 0° handle

VNM Handbrake V1.5 set up for 90° handle

Adjust Handbrake

Adjust Spring & elastomer:

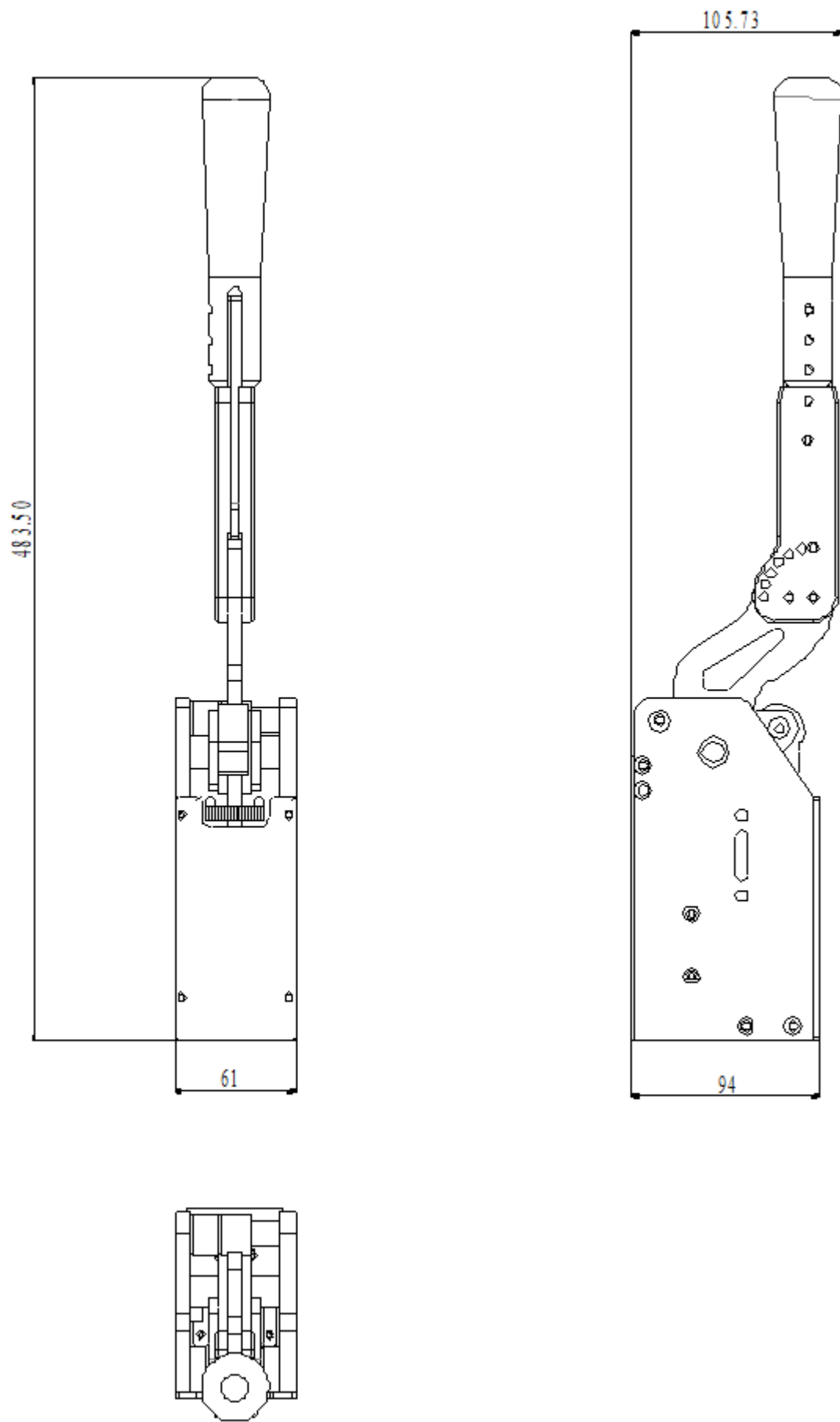
- Twist the threaded cap:
- ✓ Clockwise: Heavier pull force
- ✓ Counter-clockwise: Lighter pull force



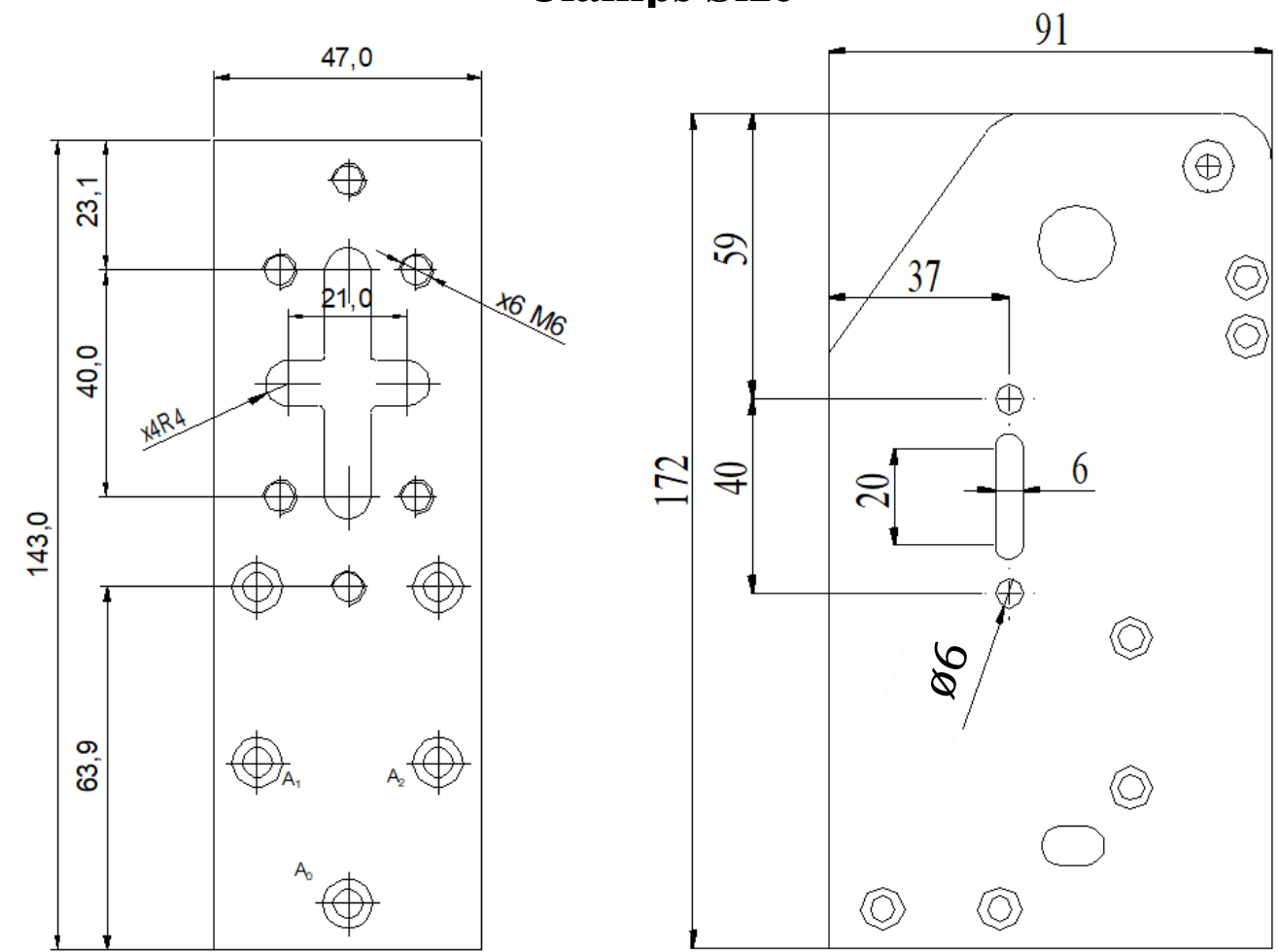
Adjust the angle of inclination:

- ✓ Remove the 2 bolts on both sides
- ✓ Pull out the endstop part
- ✓ Choose the angle of inclination by rotating the endstop part
- ✓ Push the endstop part in the sliding slot
- ✓ Tighten the bolts.

Mounting Drawing



Clamps Size



Exchange Spring

