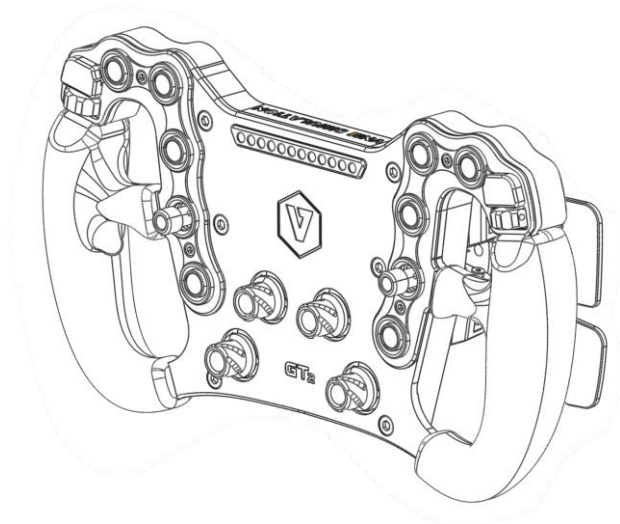
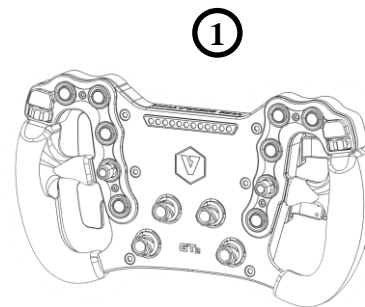


# VNM GT STEERING WHEEL V2

## Quick Guide

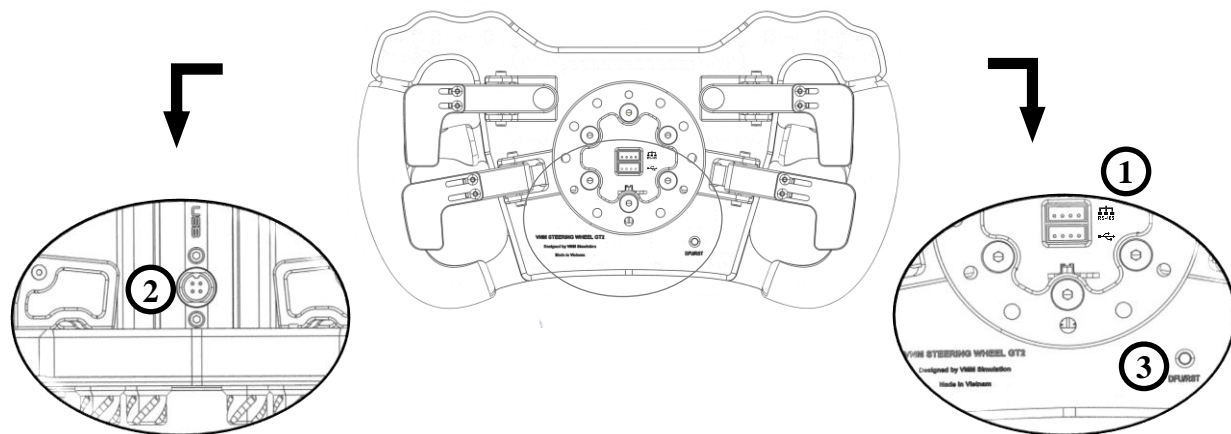


## Content



1. VNM GT2 Steering Wheel
2. USB A male to GX-12 male cable
3. Cylinder magnetics
4. Button Stickers
5. Allen key set and Mounting screws

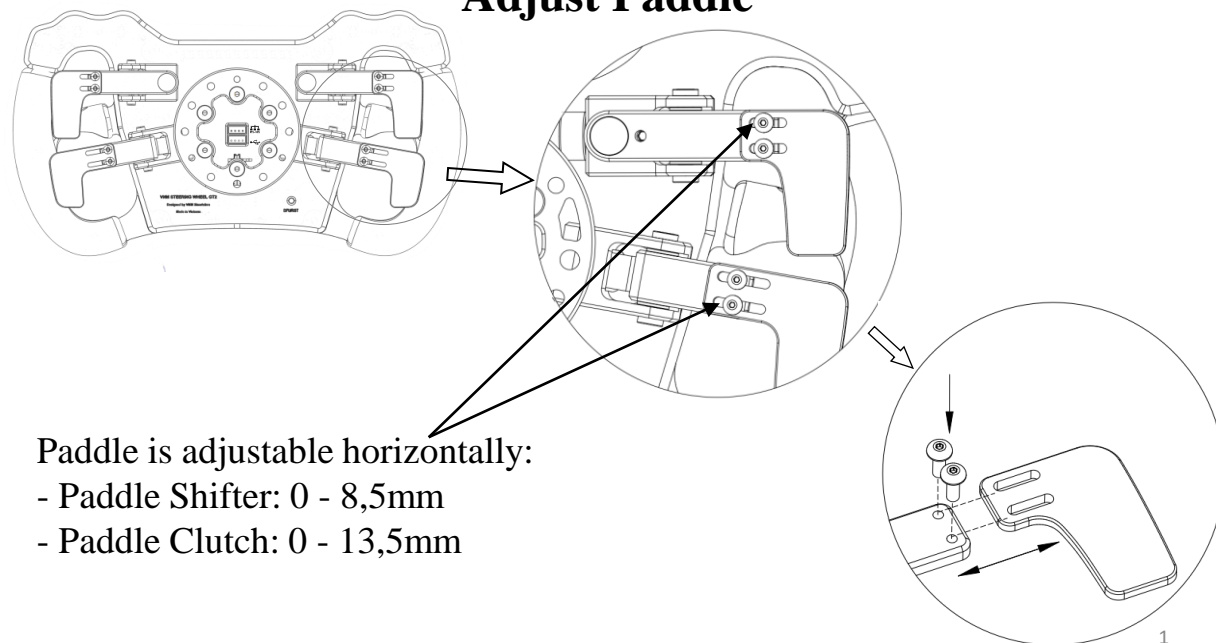
## Connection



On the back of VNM GT2 Wheel:

1. RS-485 Port
2. GX-12 Port for USB connection via spring cable
3. Reset/DFU (Press for reset or press & hold 3s for into DFU mode)

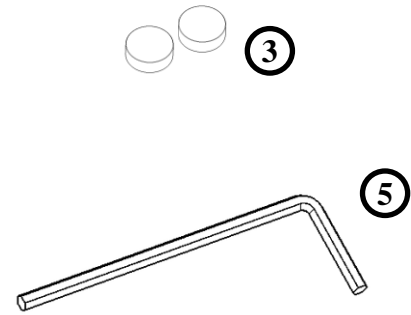
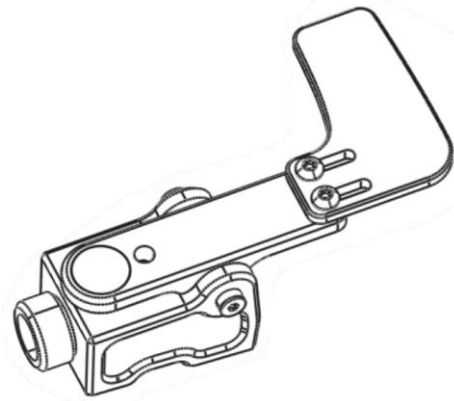
## Adjust Paddle



Paddle is adjustable horizontally:

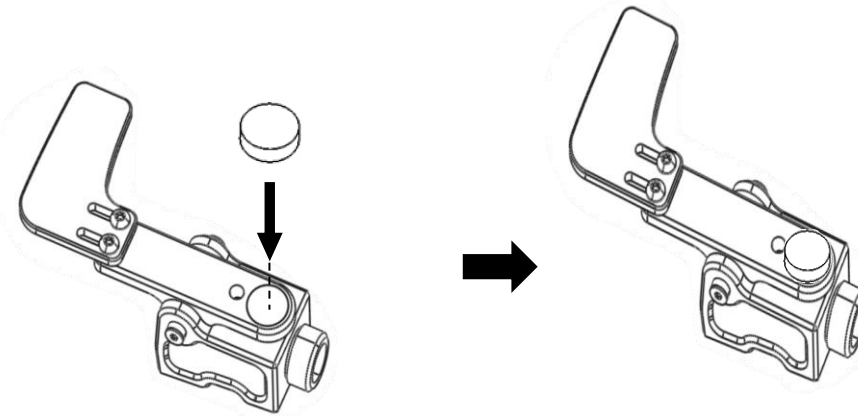
- Paddle Shifter: 0 - 8,5mm
- Paddle Clutch: 0 - 13,5mm

## Adjust VNM Paddle Shifter

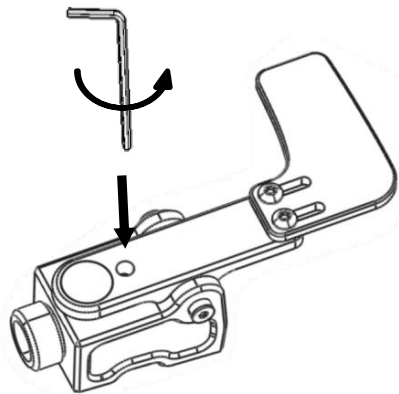


- 3. Cylinder magnetics
- 5. H2.5 Allen key

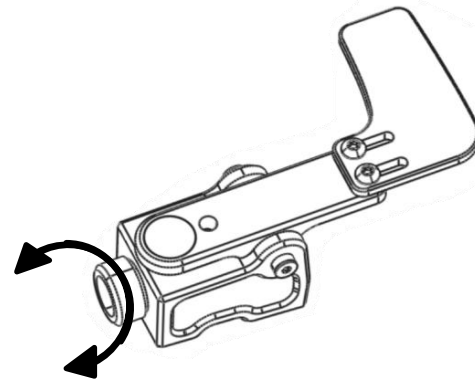
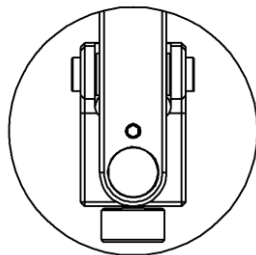
## Increased strength of the Paddle Shifter



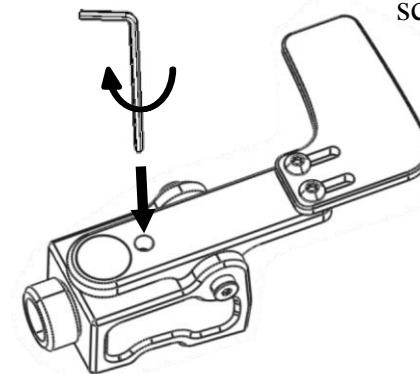
Add a magnet to increase the strength of the Paddle Shifter



Use H2.5 Allen key to loosen the knob's set screw

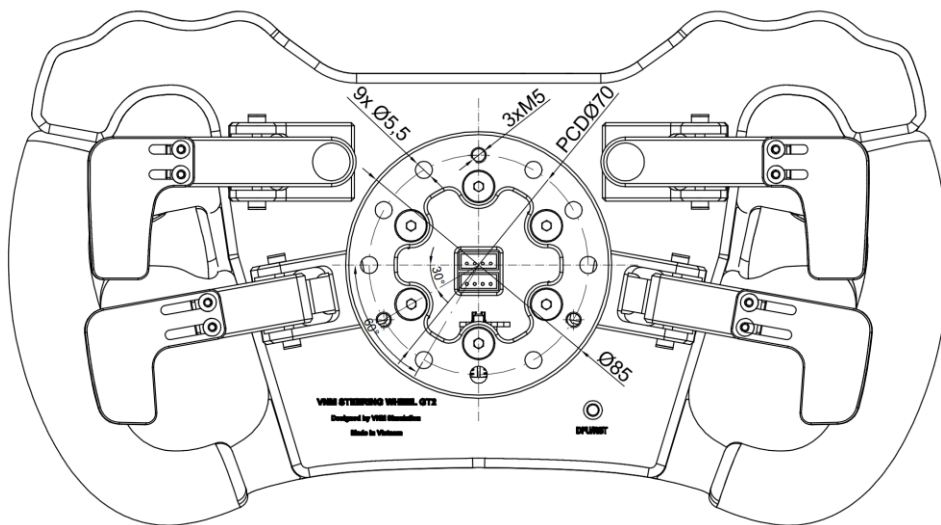
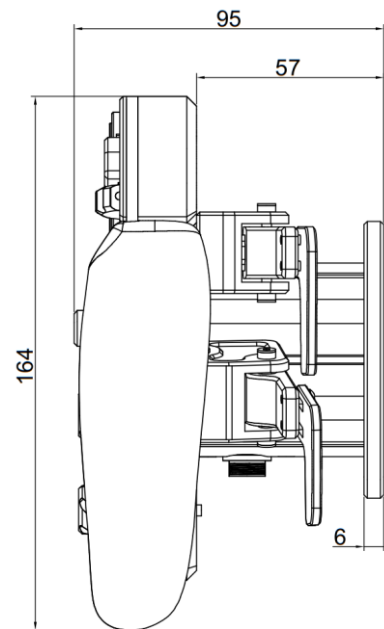
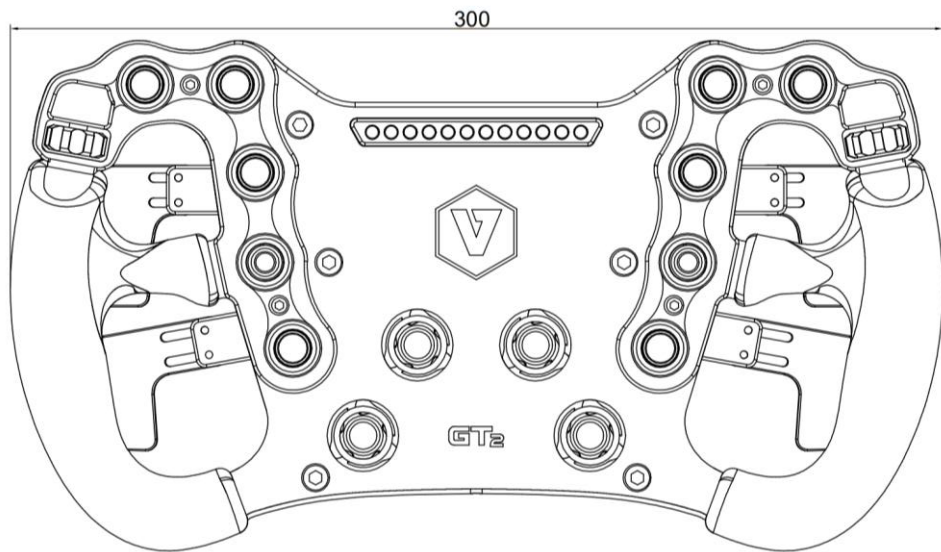


Turning the knob to up or down the trip of paddle shifter



Use H2.5 Allen key to tighten the knob's set screw

# Drawing VNM Steering Wheel



*“Congratulations on completing your assembly. If you have any questions or encounter any problems, please contact us for support!”*