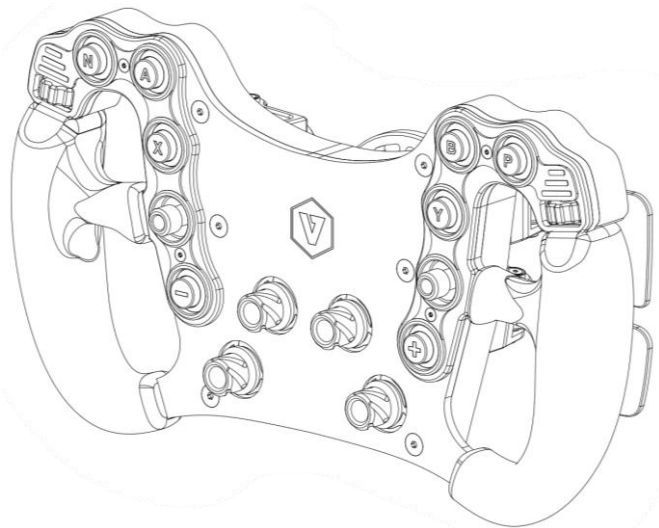


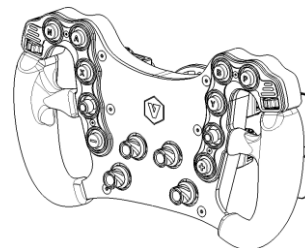
# VNM GT STEERING WHEEL V1

## Quick Guide



## Content

①



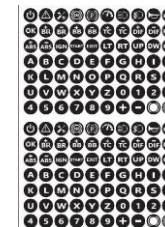
②



③



④

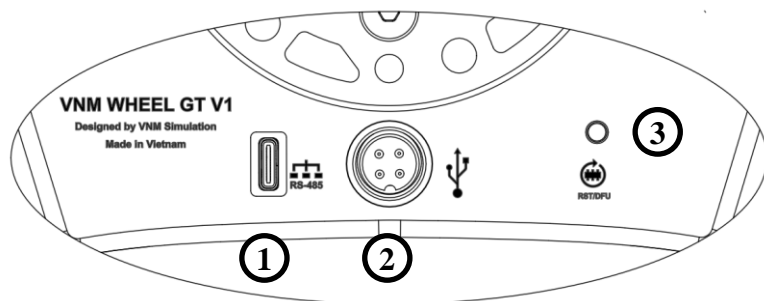
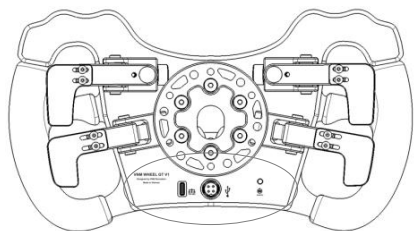


⑤



1. VNM GT Steering Wheel V1
2. USB A male to GX-12 male cable
3. Round magnet
4. Button Stickers
5. Allen key set and Mounting screws

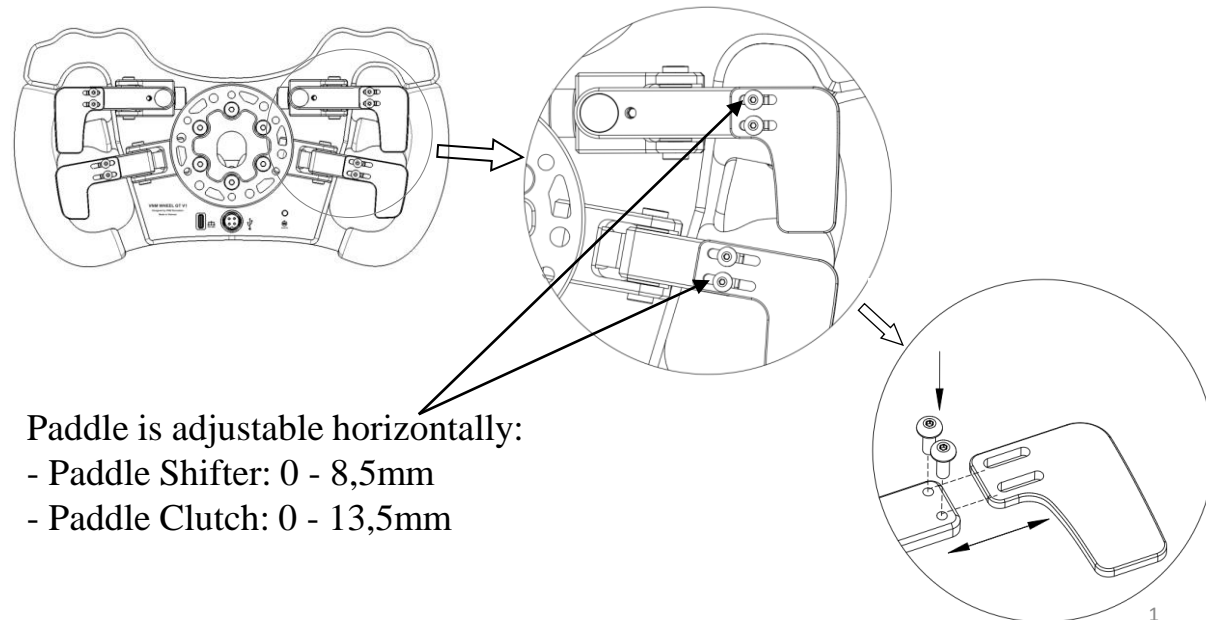
## Connection



On the back of VNM GT Wheel:

1. RS-485 Port
2. GX-12 Port for USB connection via spring cable
3. Reset/DFU (Press for reset or press & hold 3s for into DFU mode)

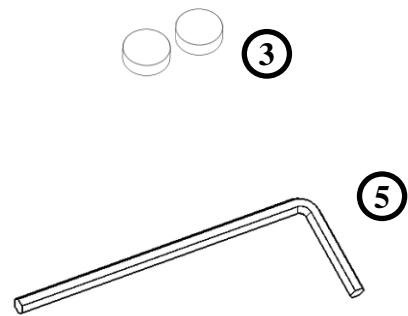
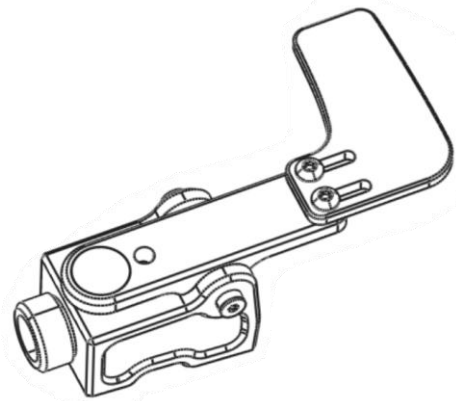
## Adjust Paddle



Paddle is adjustable horizontally:

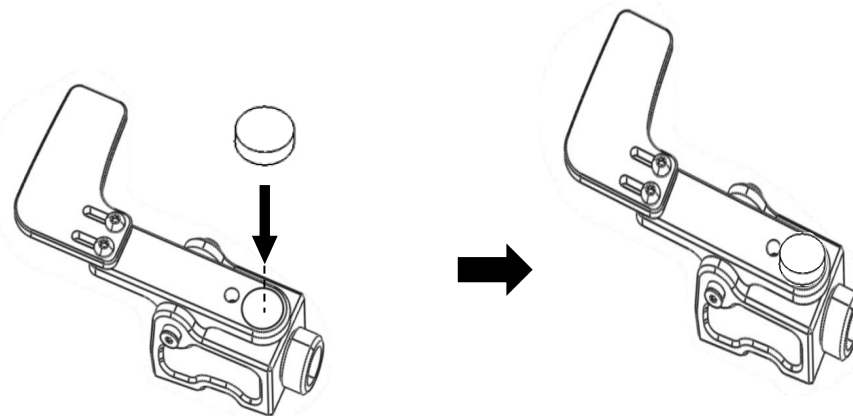
- Paddle Shifter: 0 - 8,5mm
- Paddle Clutch: 0 - 13,5mm

## Adjust VNM Paddle Shifter

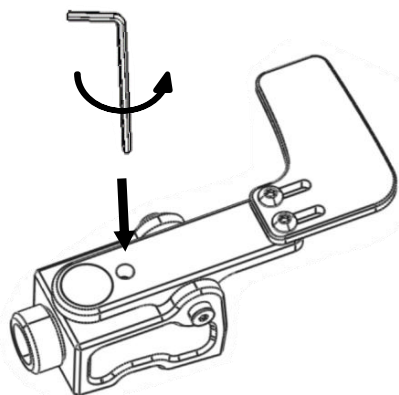


- 3. Cylinder magnetics
- 5. H2.5 Allen key

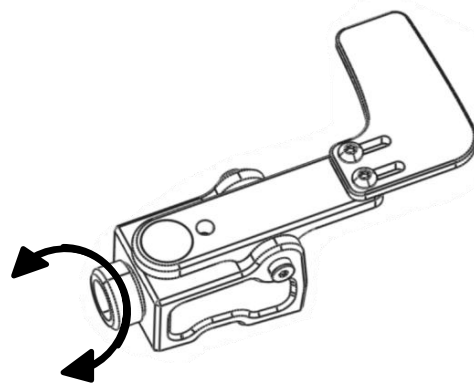
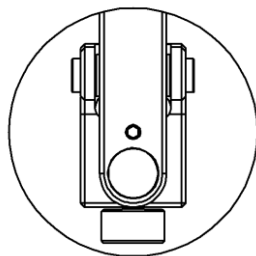
## Increased strength of the Paddle Shifter



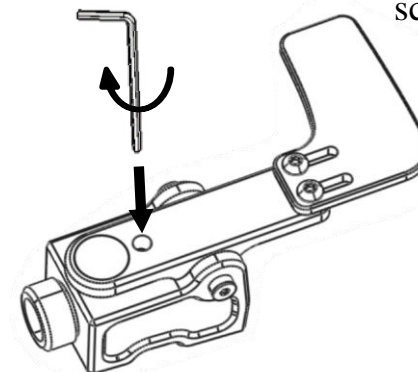
Add a magnet to increase the strength of the Paddle Shifter



Use H2.5 Allen key to loosen the knob's set screw

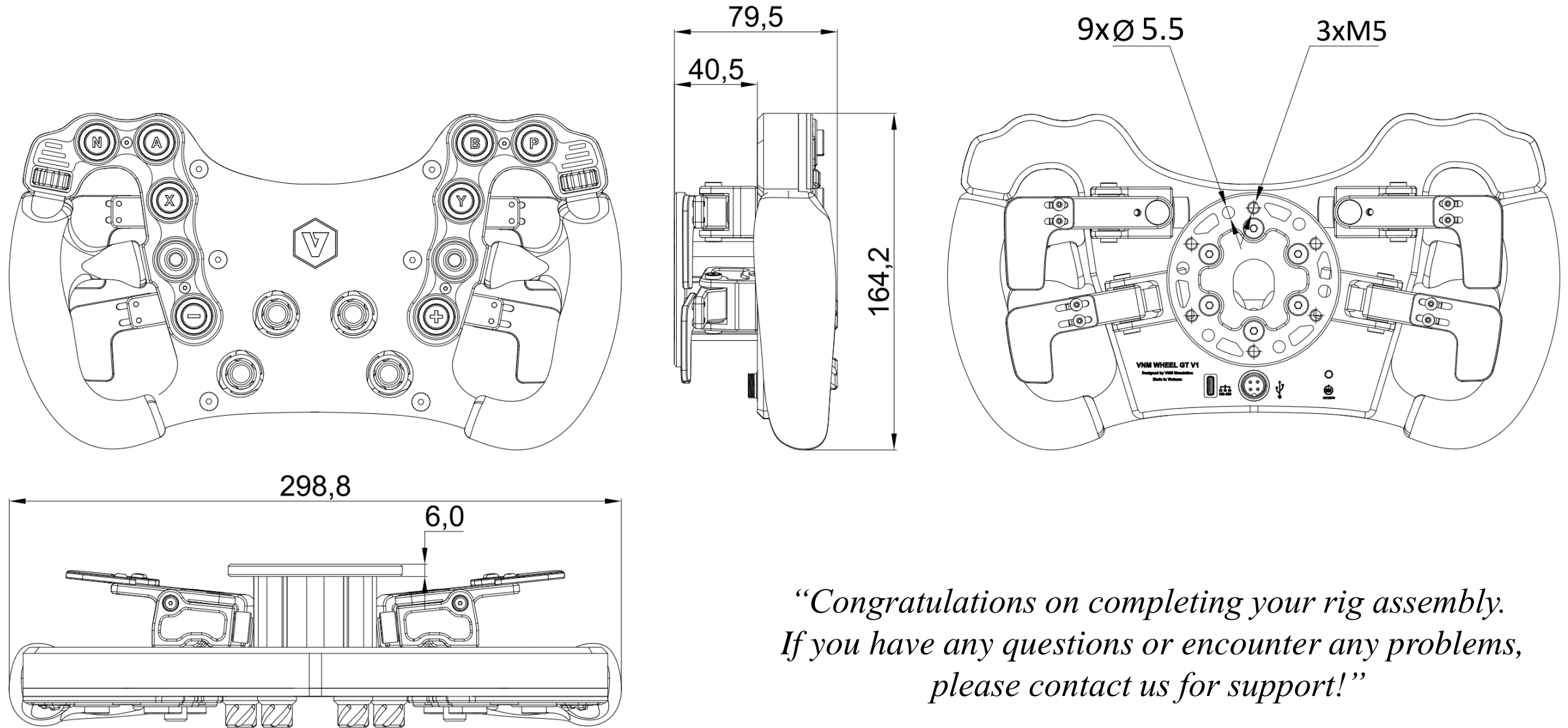


Turning the knob to up or down the trip of paddle shifter



Use H2.5 Allen key to tighten the knob's set screw

# Drawing VNM Steering Wheel



*“Congratulations on completing your rig assembly.  
If you have any questions or encounter any problems,  
please contact us for support!”*