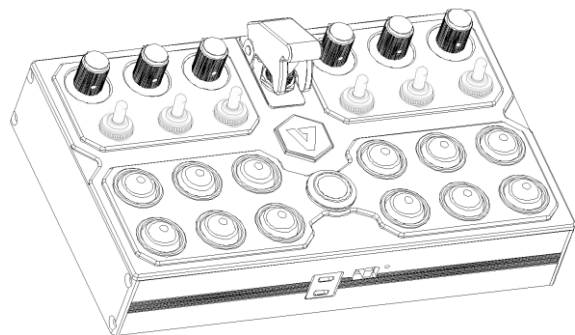
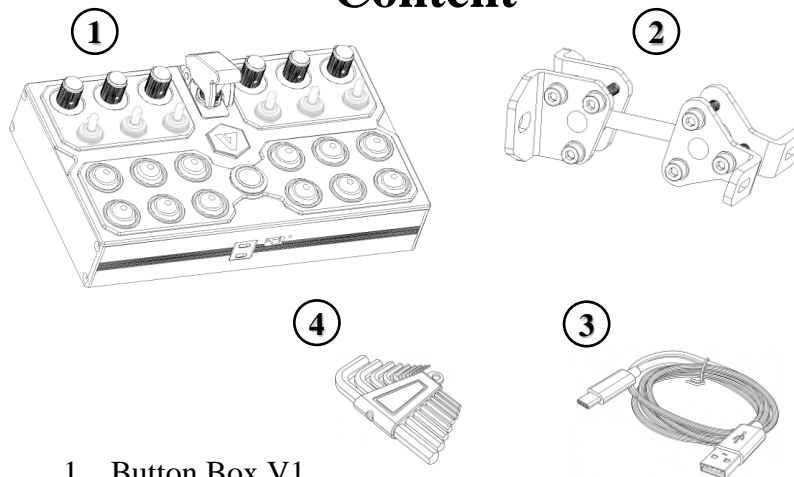


# VNM BUTTON BOX V1

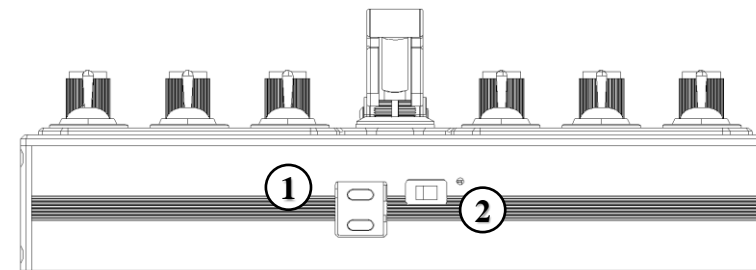


## Content



1. Button Box V1
2. Multi-directional arm
3. USB Type C cable
4. Hexagon alley key & Mounting screws

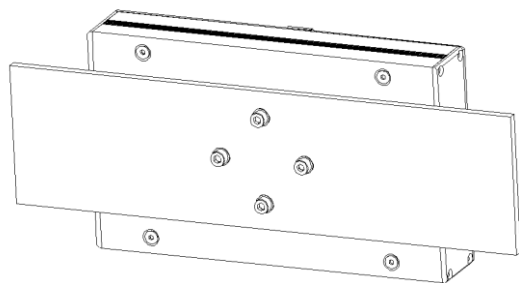
## Connection



- 1 Plug in USB Type C cable to connect to PC
- 2 Switch to select **DFU Mode** (*update firmware*) or **RUN Mode** (*play in game*)

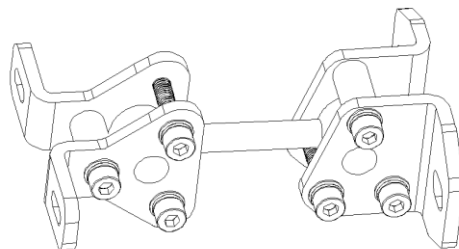
## Mounting

### Direct mounting

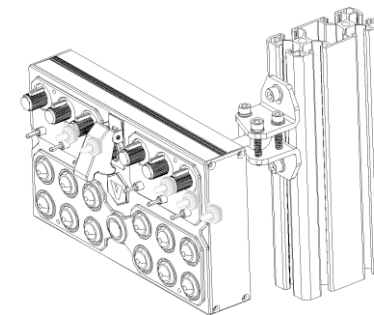
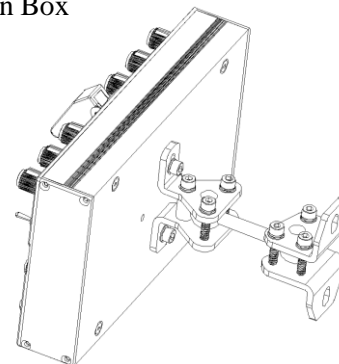


### Using the multi-directional arm

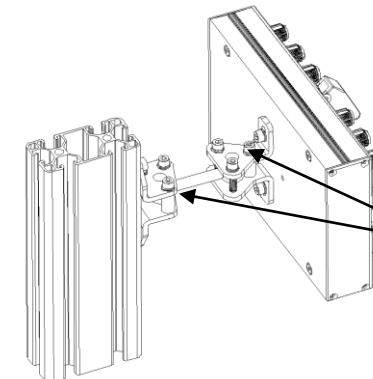
Step 1: Assemble and tighten the screws together as shown:



Step 2: Attach to the mounting holes to the Button Box



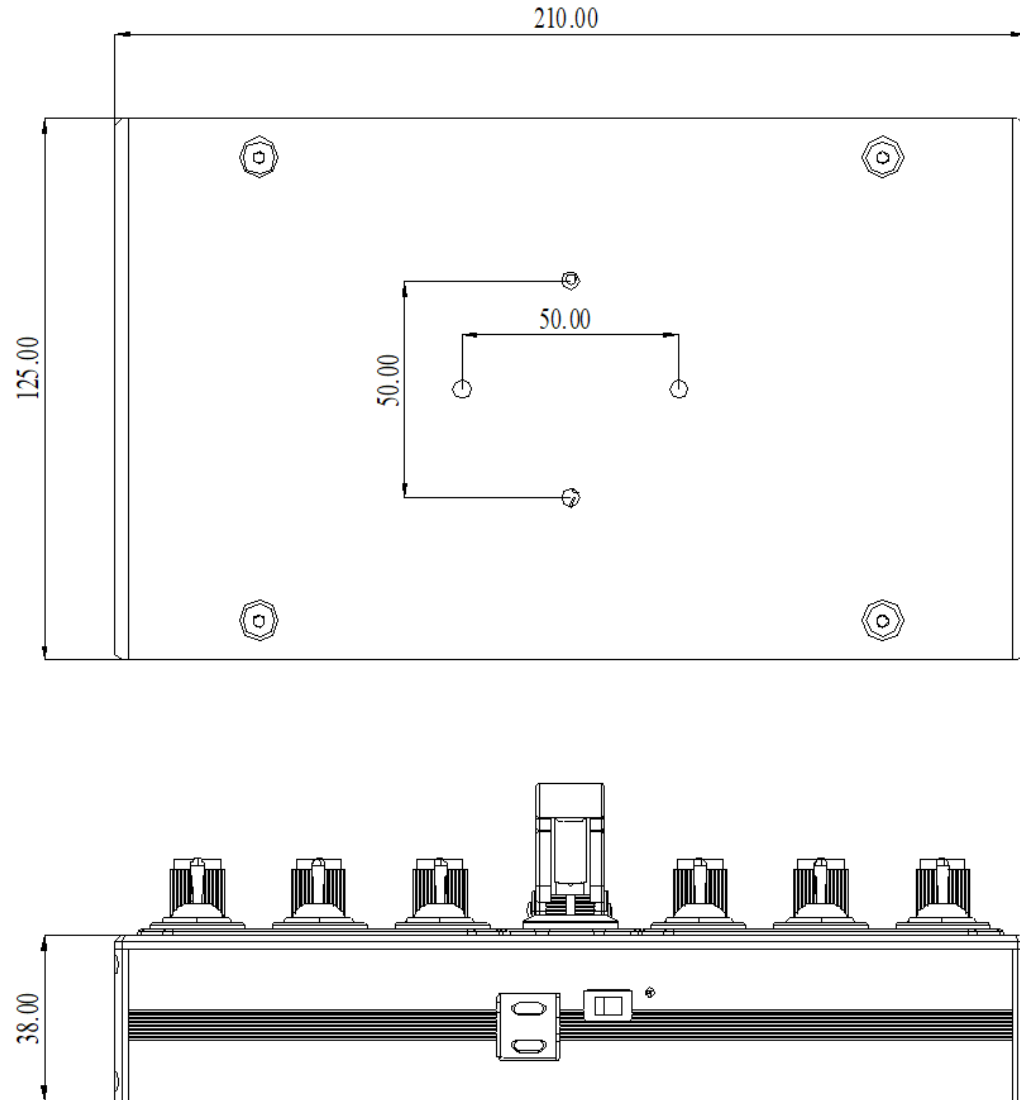
Step 3: Attach Multi-directional arm (with button box) to your rig or a location within easy reach



Step 4: Loosen the screw to adjust the direction of the Button Box and tighten it again when it reaches the required position

# Mounting Drawing

## Button Box Mounting Drawing



## Multi-directional arm Mounting Drawing

