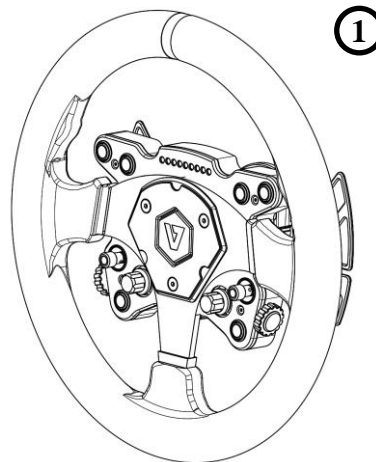
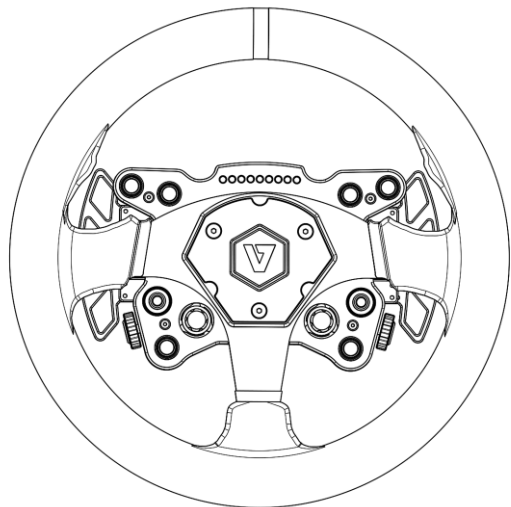
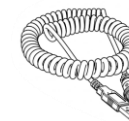


# VNM APEX-R STEERING WHEEL

## Quick Guide



## Content



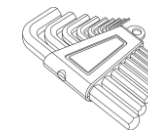
②



③



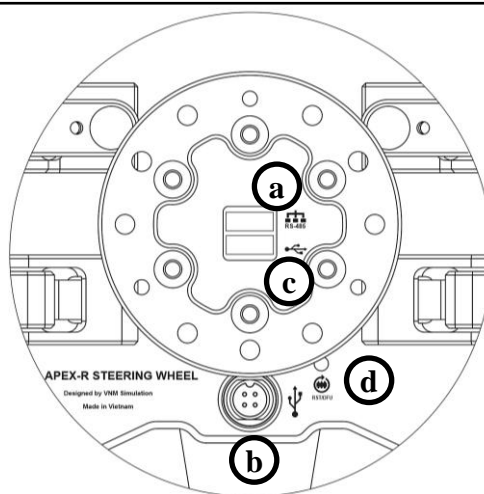
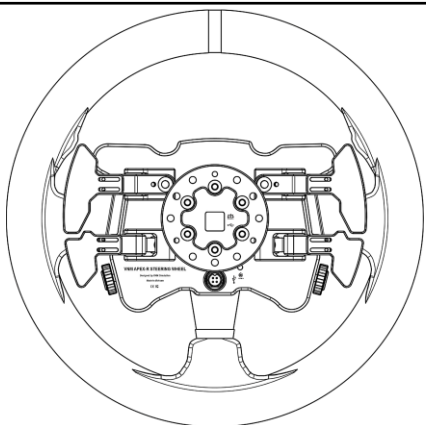
④



⑤

1. VNM Apex-R Steering Wheel
2. USB A to GX-12 spring cable
3. Cylinder magnetics
4. Button Stickers
5. Allen key set and Mounting screws

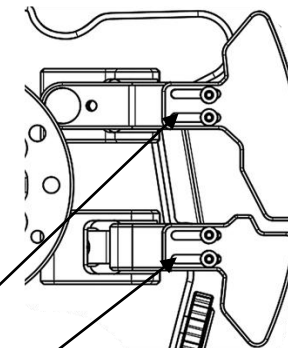
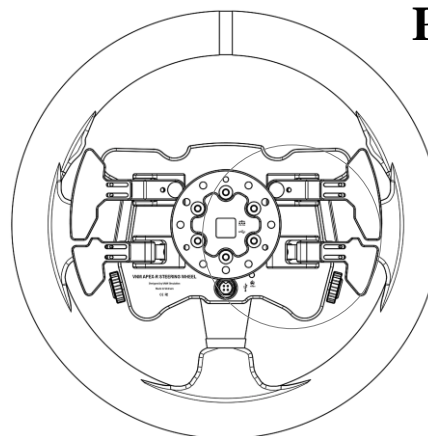
## Connection



On the back of VNM APEX-R Wheel:

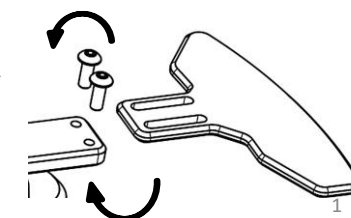
- a. RS-485 Port
- b. GX-12 Port for USB connection via spring cable
- c. Header Port for connection via slpring
- d. Reset/DFU (Press for reset or press & hold 3s for into DFU mode)

## Paddle Adjustment

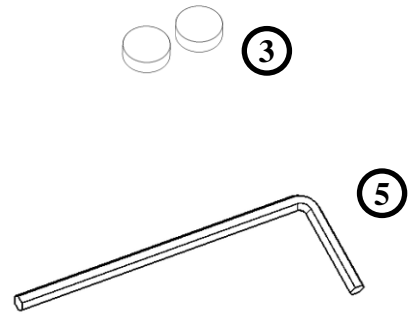
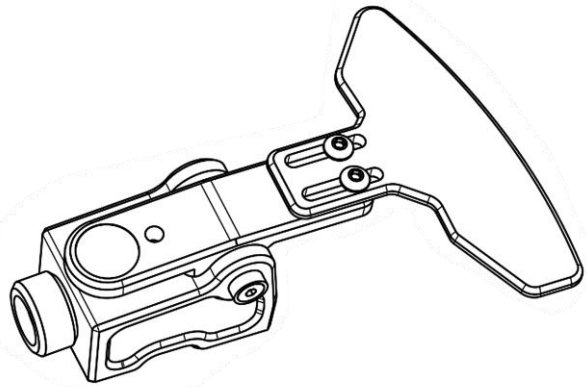


Paddle can be mounted on front or back to suit your reach

- Paddle is adjustable horizontally:
- Paddle Shifter zone: 0 - 13,5mm
  - Paddle Clutch zone: 0 - 13,5mm

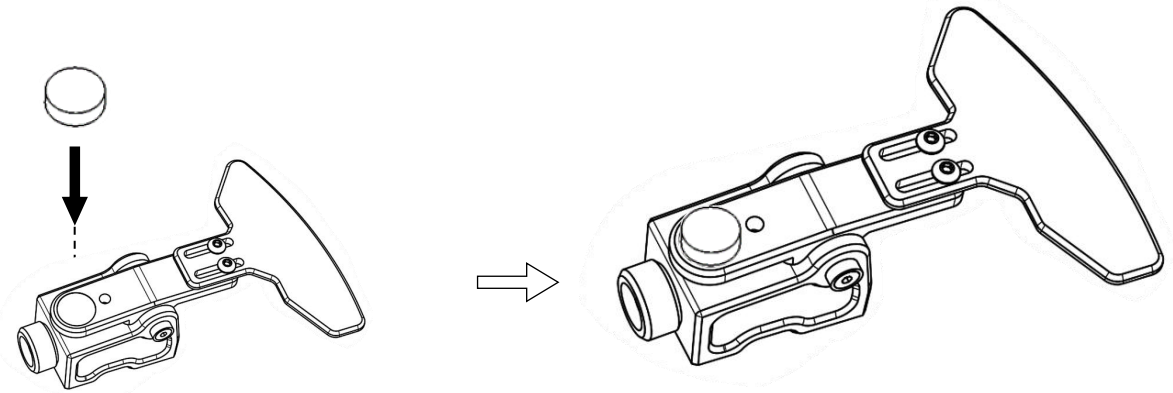


## Adjust VNM Paddle Shifter

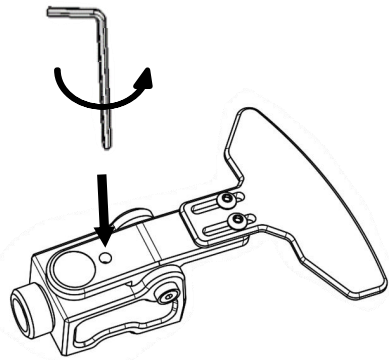


- 3. Cylinder magnetics
- 5. H2.5 Allen key

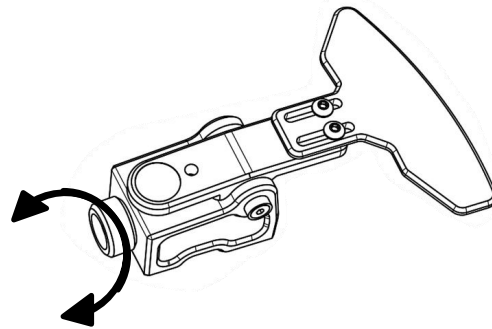
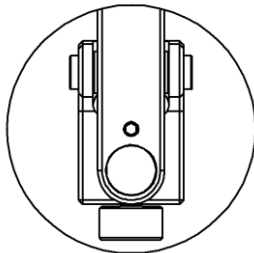
## Increased strength of the Paddle Shifter



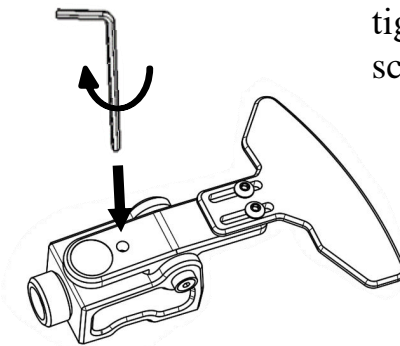
Add more a magnetic to increase the strength of the Paddle Shifter



Use H2.5 Allen key to loosen the knob's set screw

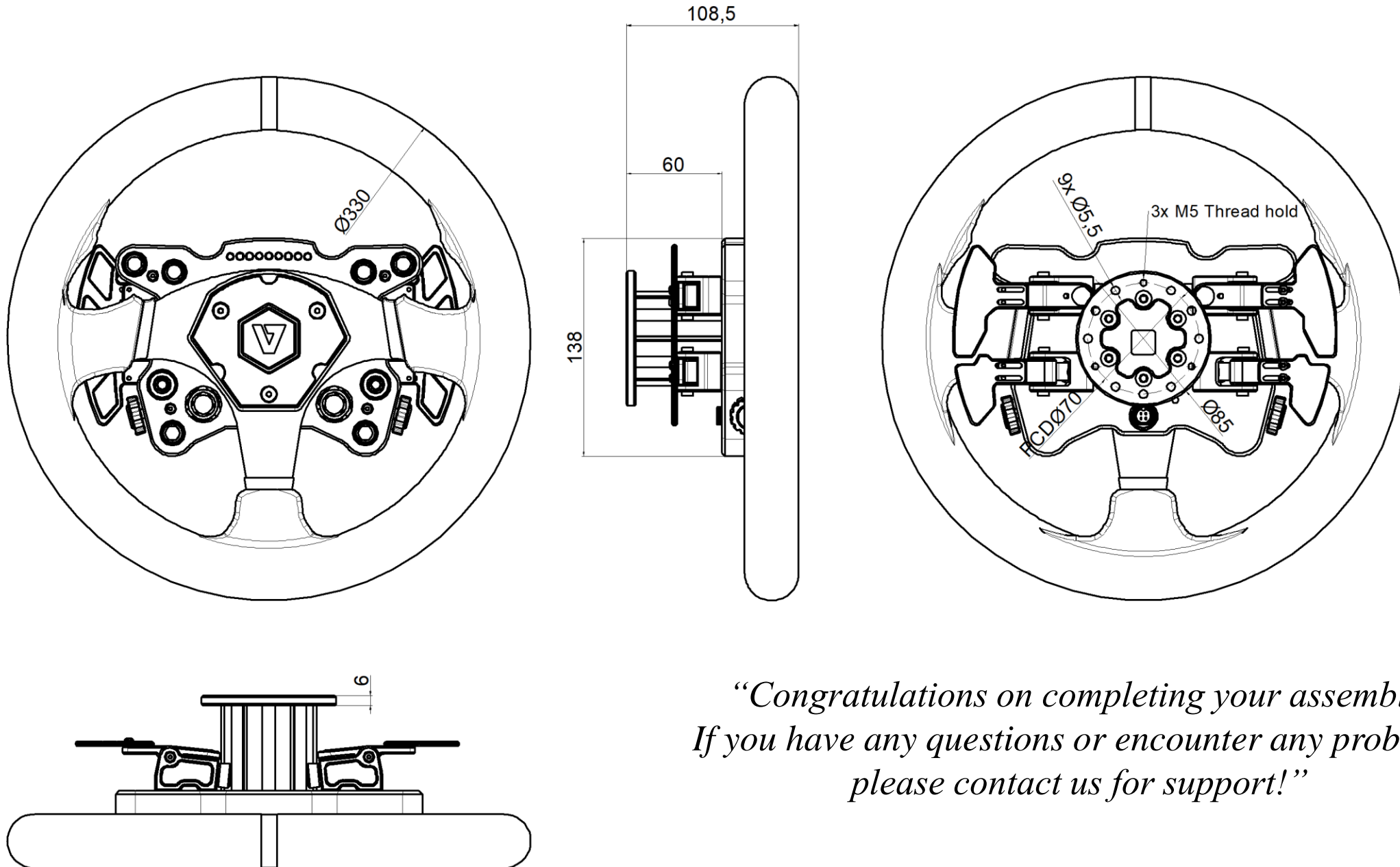


Turning the knob to up or down the trip of paddle shifter



Use H2.5 Allen key to tighten the knob's set screw

# Mounting Dimension VNM Apex-R Steering Wheel



*“Congratulations on completing your assembly.  
If you have any questions or encounter any problems,  
please contact us for support!”*