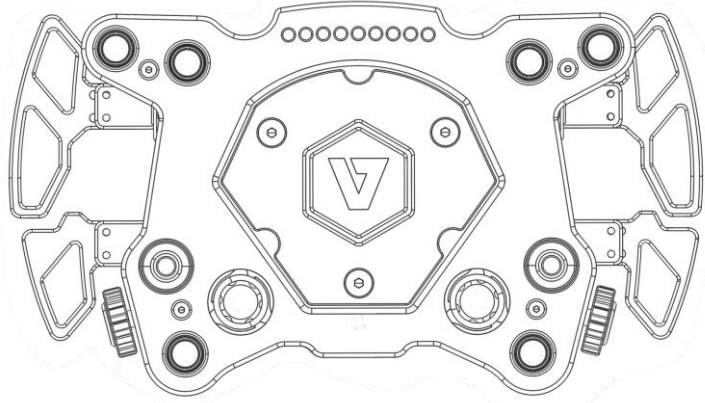
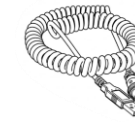
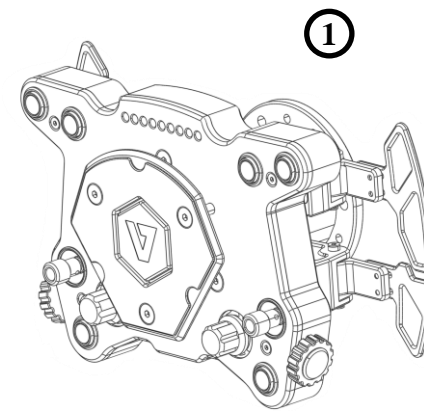


VNM APEX-R Steering Wheel HUB

Quick Guide



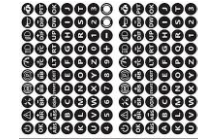
Content



②



③



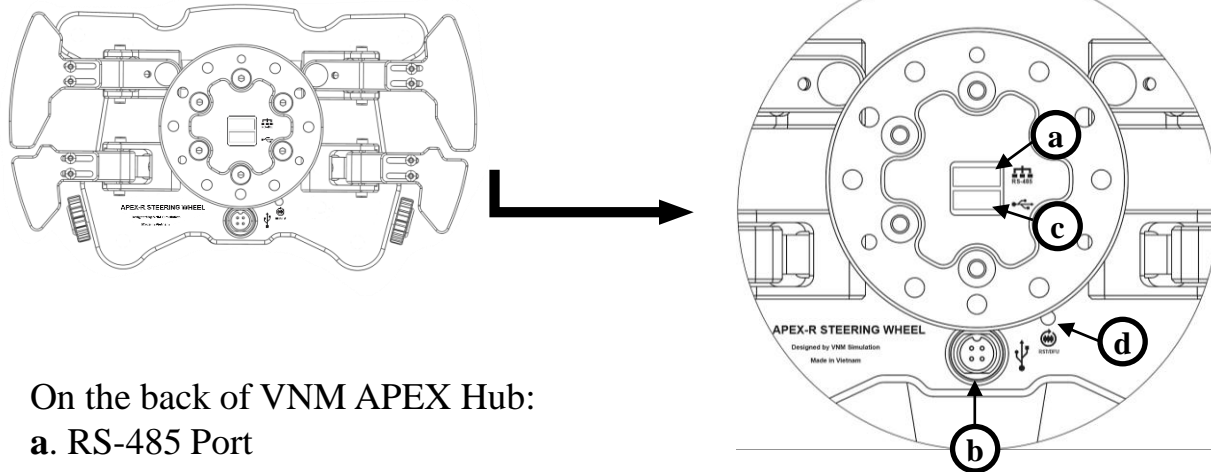
④



⑤

1. VNM Apex Hub (no wheel rim)
2. USB A to GX-12 spring cable
3. Round magnets
4. Button Stickers
5. Allen key set and Mounting screws

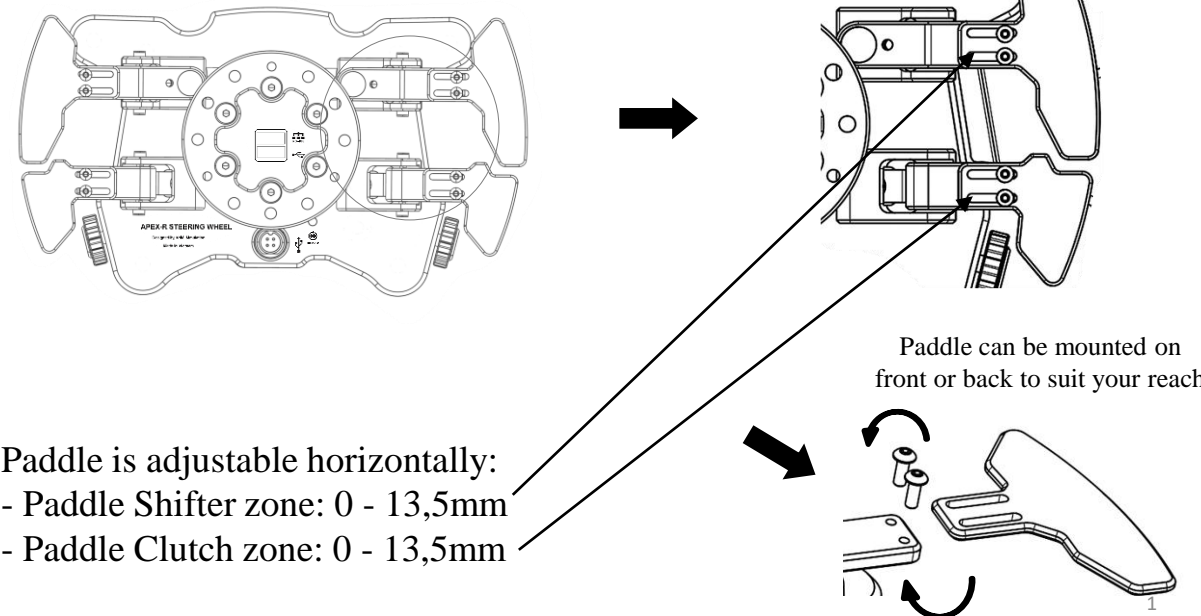
Connection



On the back of VNM APEX Hub:

- a. RS-485 Port
- b. GX-12 Port for USB connection via spring cable
- c. Header Port for connection via slipping
- d. Reset/DFU (Press for Reset/Press & hold 3s for DFU mode)

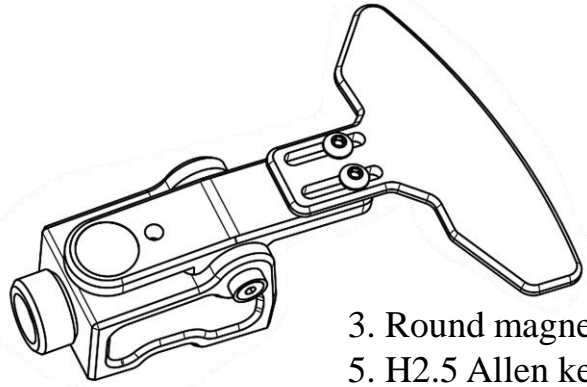
Paddle Adjustment



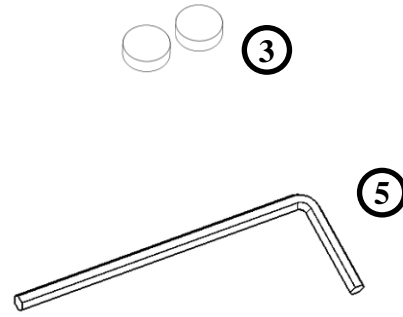
Paddle can be mounted on front or back to suit your reach

- Paddle is adjustable horizontally:
- Paddle Shifter zone: 0 - 13,5mm
 - Paddle Clutch zone: 0 - 13,5mm

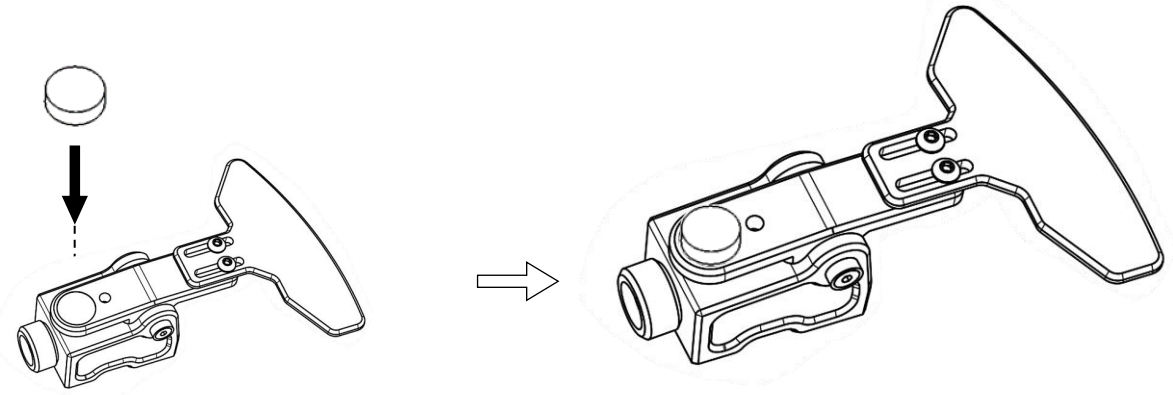
Adjust VNM Paddle Shifter



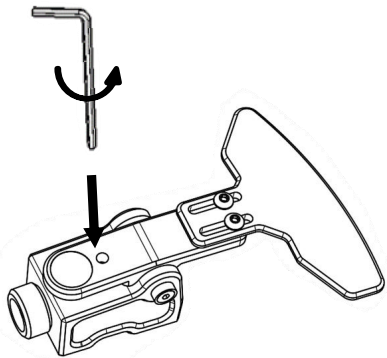
- 3. Round magnet
- 5. H2.5 Allen key



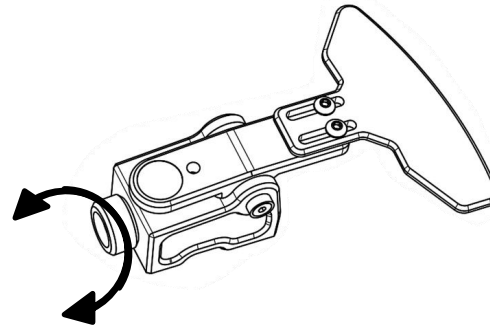
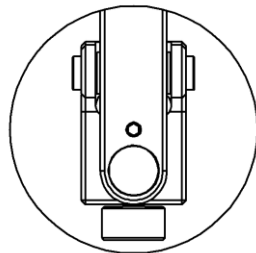
Paddle Shifter strength increasement



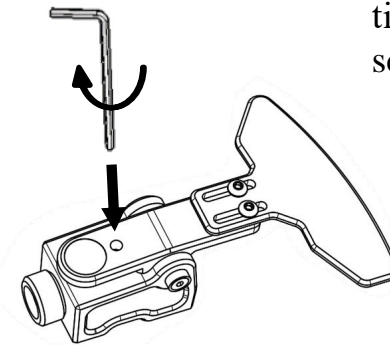
Add a magnet to increase the strength of the Paddle Shifter



Use H2.5 Allen key to loosen the knob's set screw

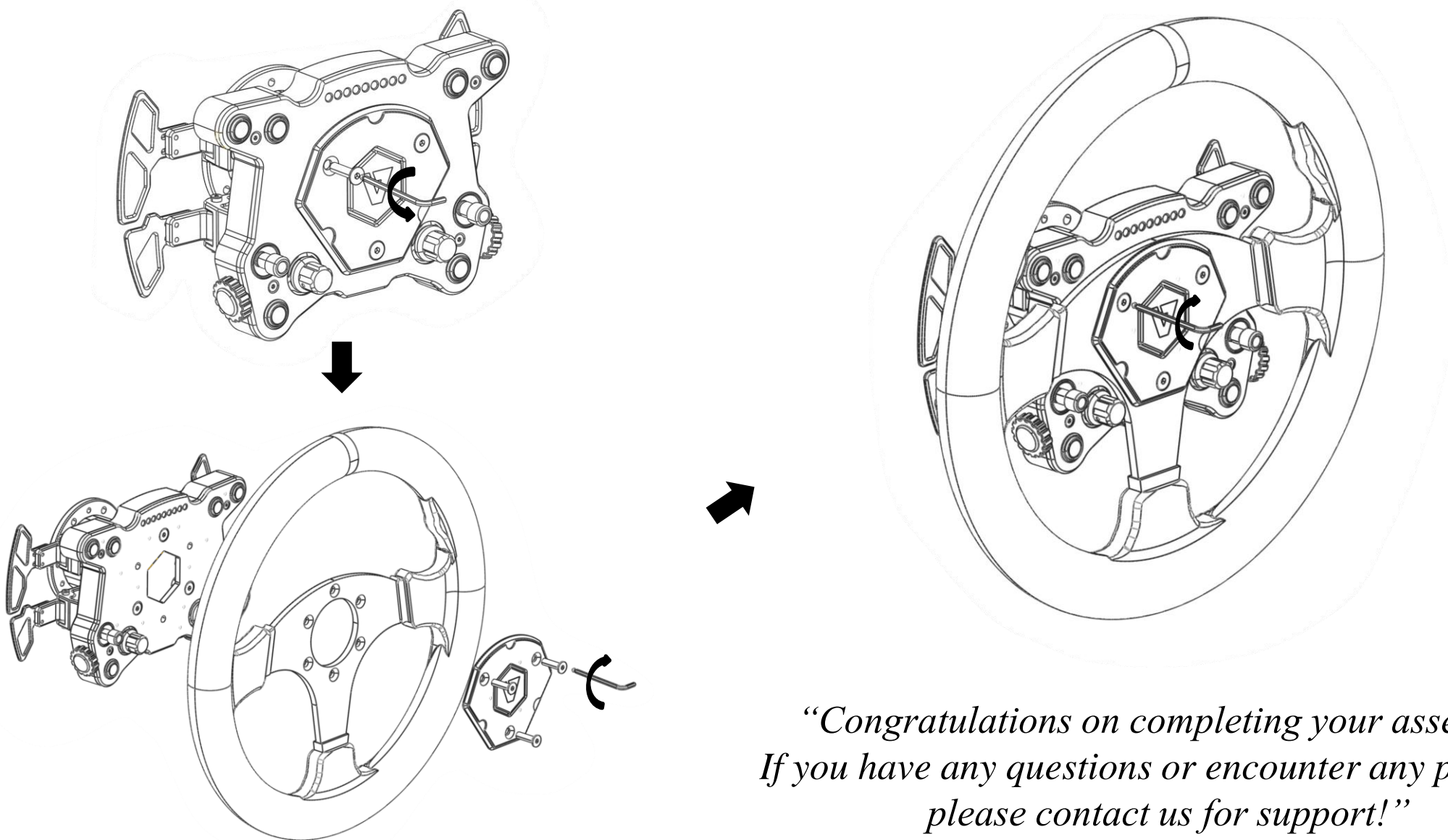


Turning the knob to increase or decrease the travel of paddle shifter



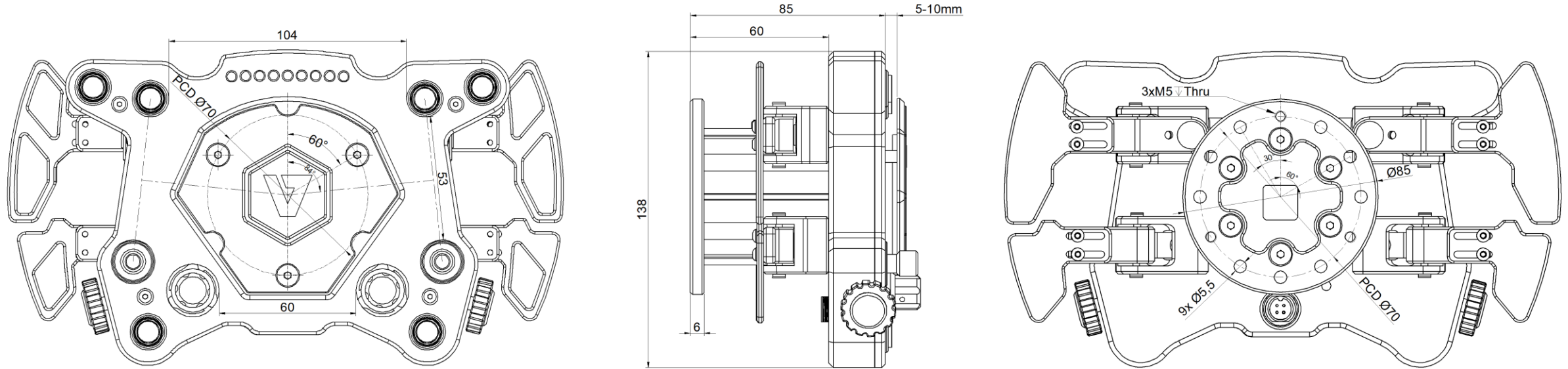
Use H2.5 Allen key to tighten the knob's set screw

Installing the VNM Apex Hub with a Wheel Rim



“Congratulations on completing your assembly. If you have any questions or encounter any problems, please contact us for support!”

Mounting Dimension VNM Apex Hub



Note: The VNM Apex Hub is recommended for use with flat wheels (with minimal dish).
Please look at the mounting dimensions above to make sure your wheel rim is compatible with the VNM Apex Hub!